

US00D549922S

(12) **United States Design Patent**
Weise et al.

(10) **Patent No.:** **US D549,922 S**

(45) **Date of Patent:** **** Aug. 28, 2007**

(54) **EQUIPMENT MOUNTING RACK**

Primary Examiner—Cynthia E. Ramirez

(74) *Attorney, Agent, or Firm*—Terry L. Miller

(76) Inventors: **Gary K. Weise**, 1700 Barcelona Cir.,
Placentia, CA (US) 92870; **Richard**
Kesl, 1700 Barcelona Cir., Placentia,
CA (US) 92870

(57) **CLAIM**

The ornamental design for an equipment mounting rack, as shown and described.

(**) Term: **14 Years**

(21) Appl. No.: **29/241,441**

(22) Filed: **Oct. 26, 2005**

DESCRIPTION

(51) **LOC (8) Cl.** **09-08**

(52) **U.S. Cl.** **D34/38**

(58) **Field of Classification Search** D34/38;
108/51.11, 53.1, 53.3, 57.14, 57.17, 57.32,
108/55.1, 57.16

See application file for complete search history.

FIG. 1 is a front quarter perspective view of the equipment mounting rack showing our new design;

FIG. 2 is a rear quarter perspective view of the equipment mounting rack;

FIG. 3 is a top plan view of the equipment mounting rack;

FIG. 4 is a right side elevation view of the equipment mounting rack;

FIG. 5 is a front elevation view of the equipment mounting rack;

FIG. 6 is rear elevation view of the equipment mounting rack;

FIG. 7 is left side elevation view of the equipment mounting rack; and,

FIG. 8 is a bottom view of the equipment mounting rack.

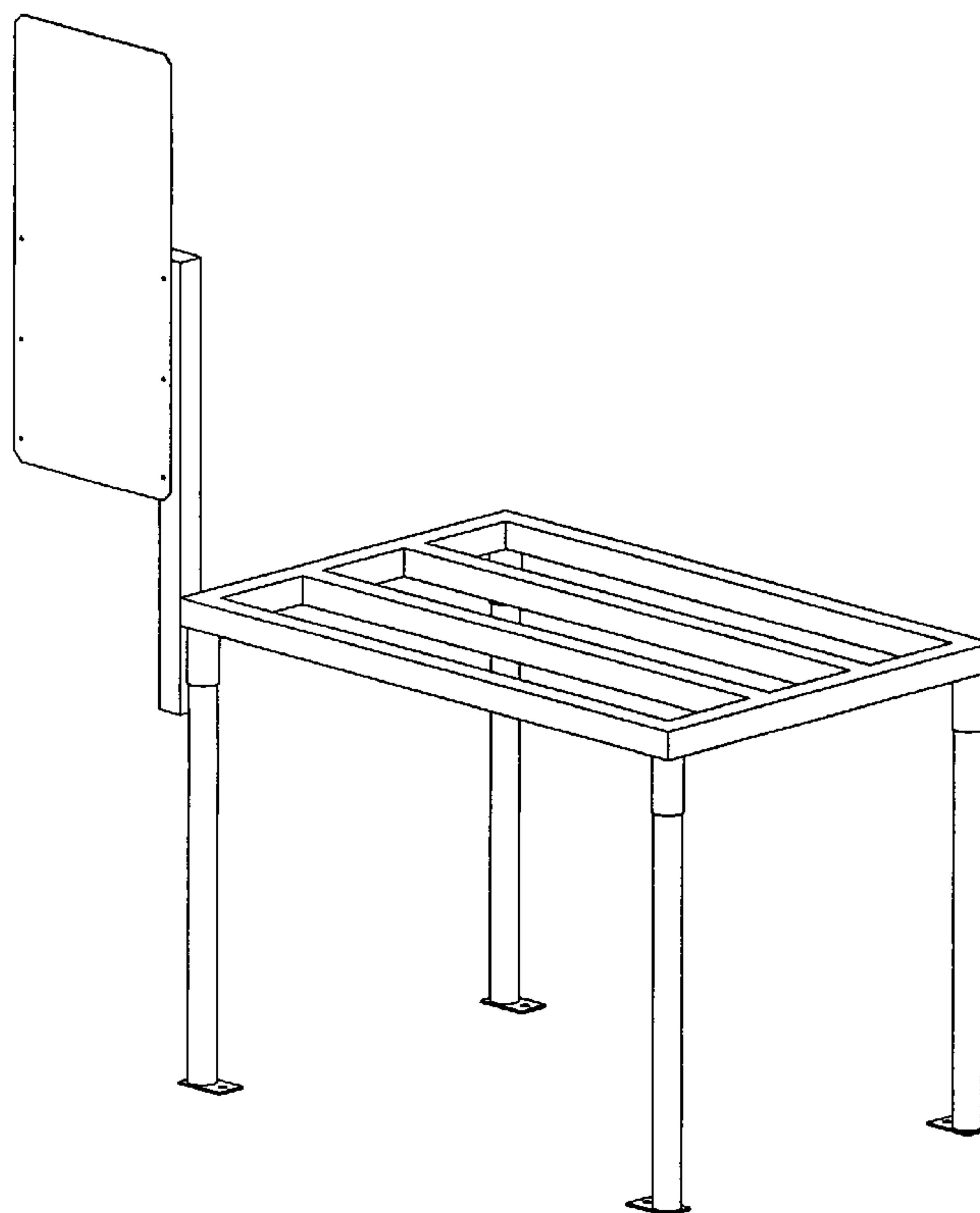
(56) **References Cited**

U.S. PATENT DOCUMENTS

827,080	A *	7/1906	Weston	37/184
3,142,386	A *	7/1964	Skubic	211/191
3,494,478	A *	2/1970	Link	211/85.19
3,502,227	A *	3/1970	Schell, Jr. et al.	211/194
4,678,091	A *	7/1987	Konstant et al.	211/191
D376,889	S *	12/1996	Pilla	D34/38
5,810,186	A *	9/1998	Lam	220/1.5
D441,166	S *	4/2001	Bowman et al.	D34/38
7,152,749	B2 *	12/2006	Beck	211/194

* cited by examiner

1 Claim, 4 Drawing Sheets



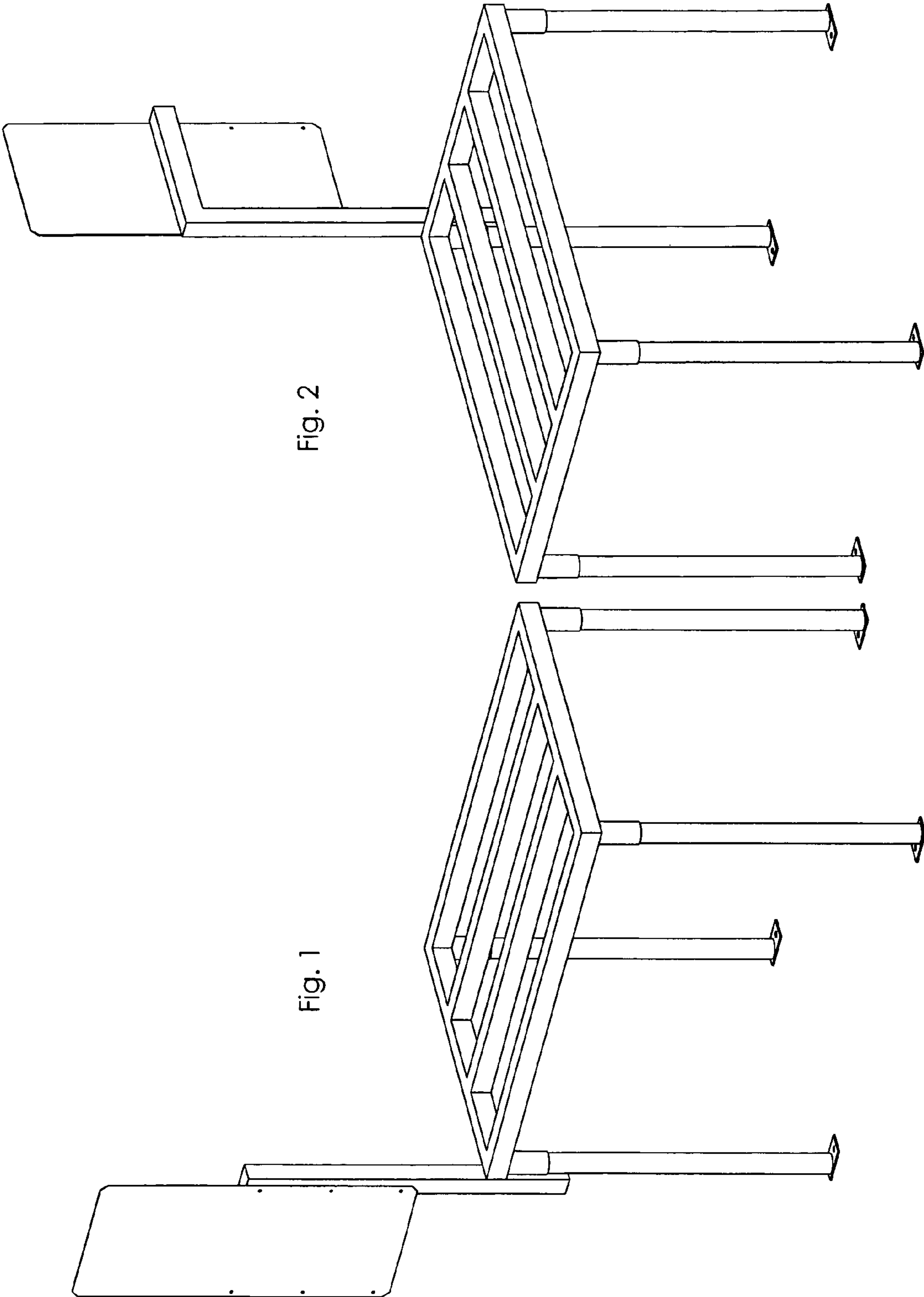
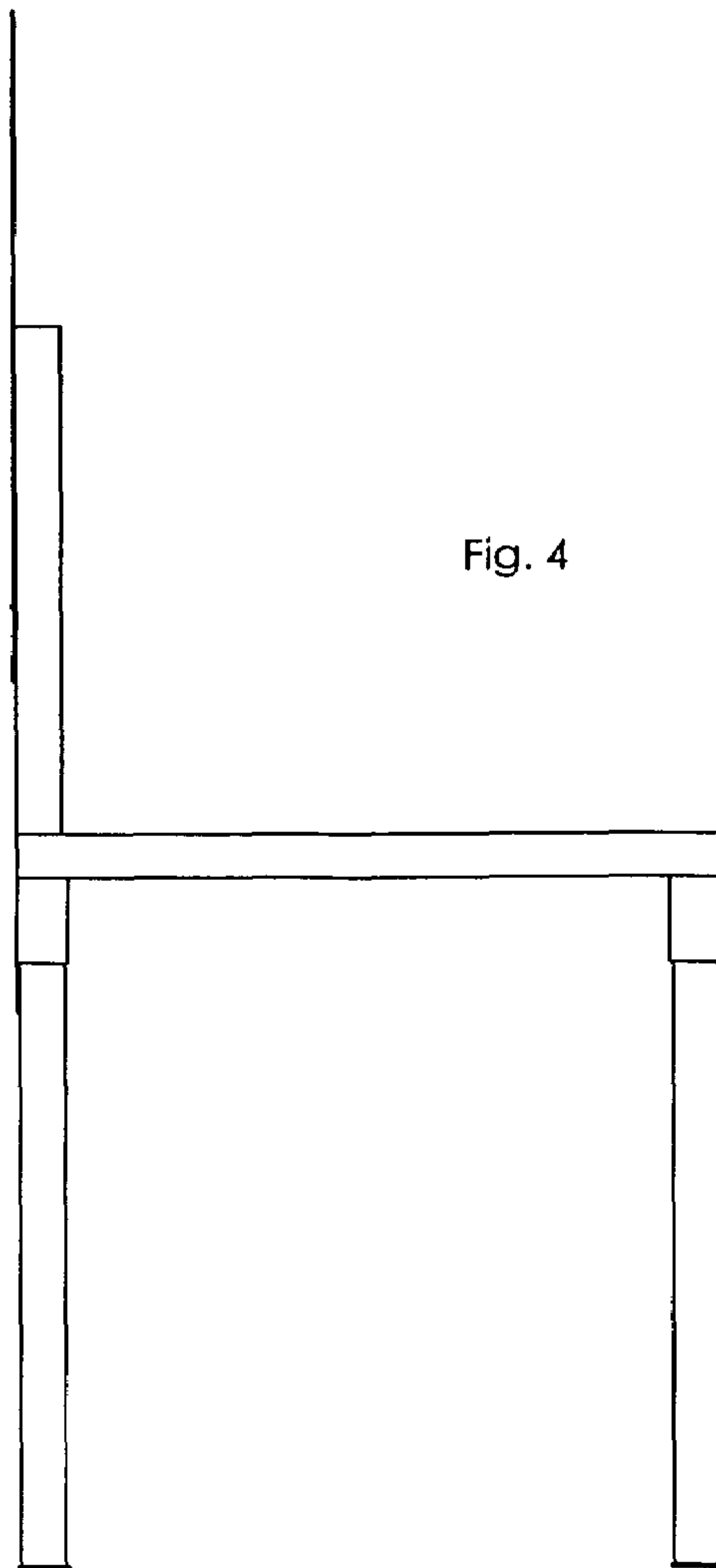
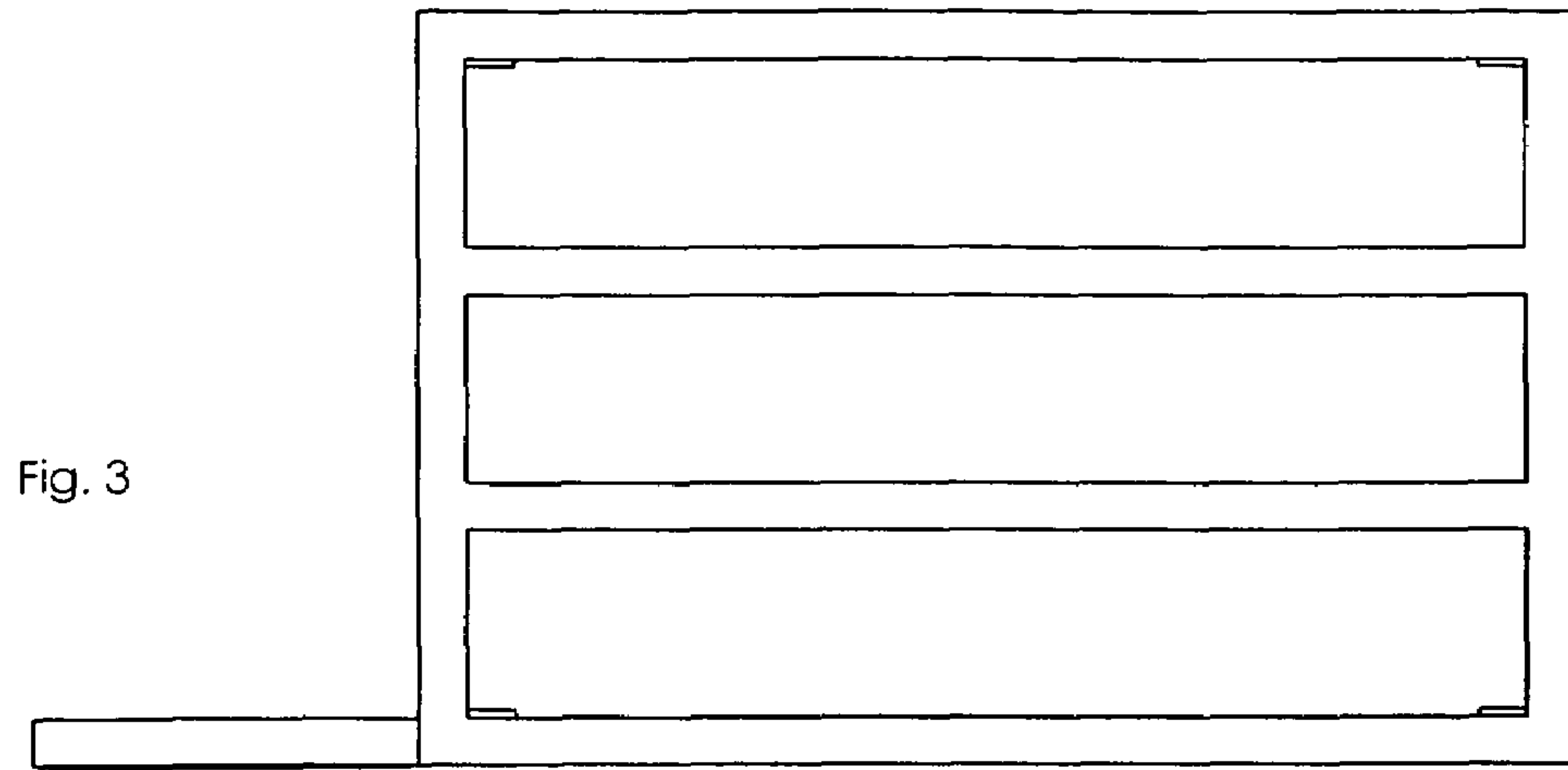


Fig. 2

Fig. 1



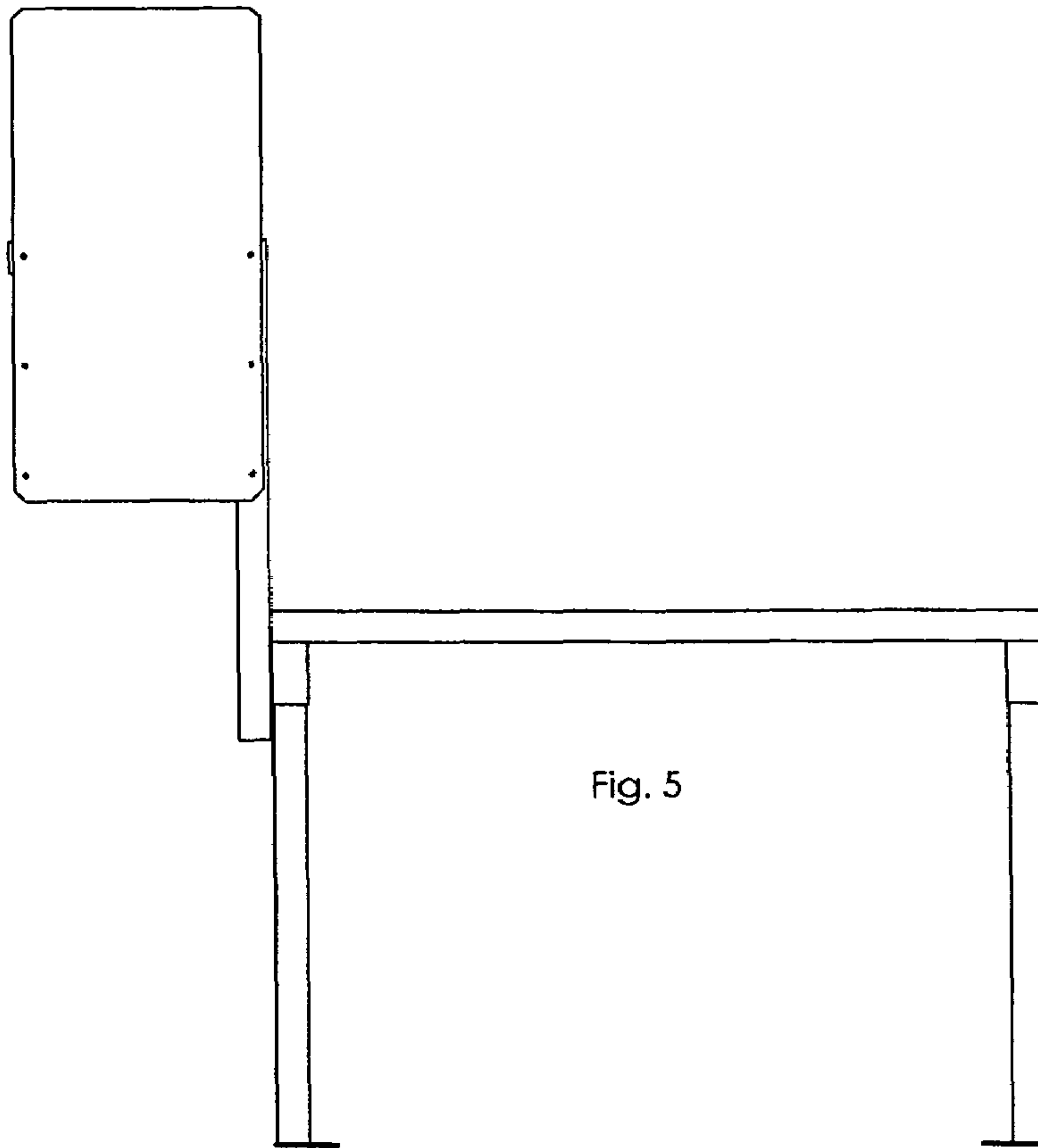


Fig. 5

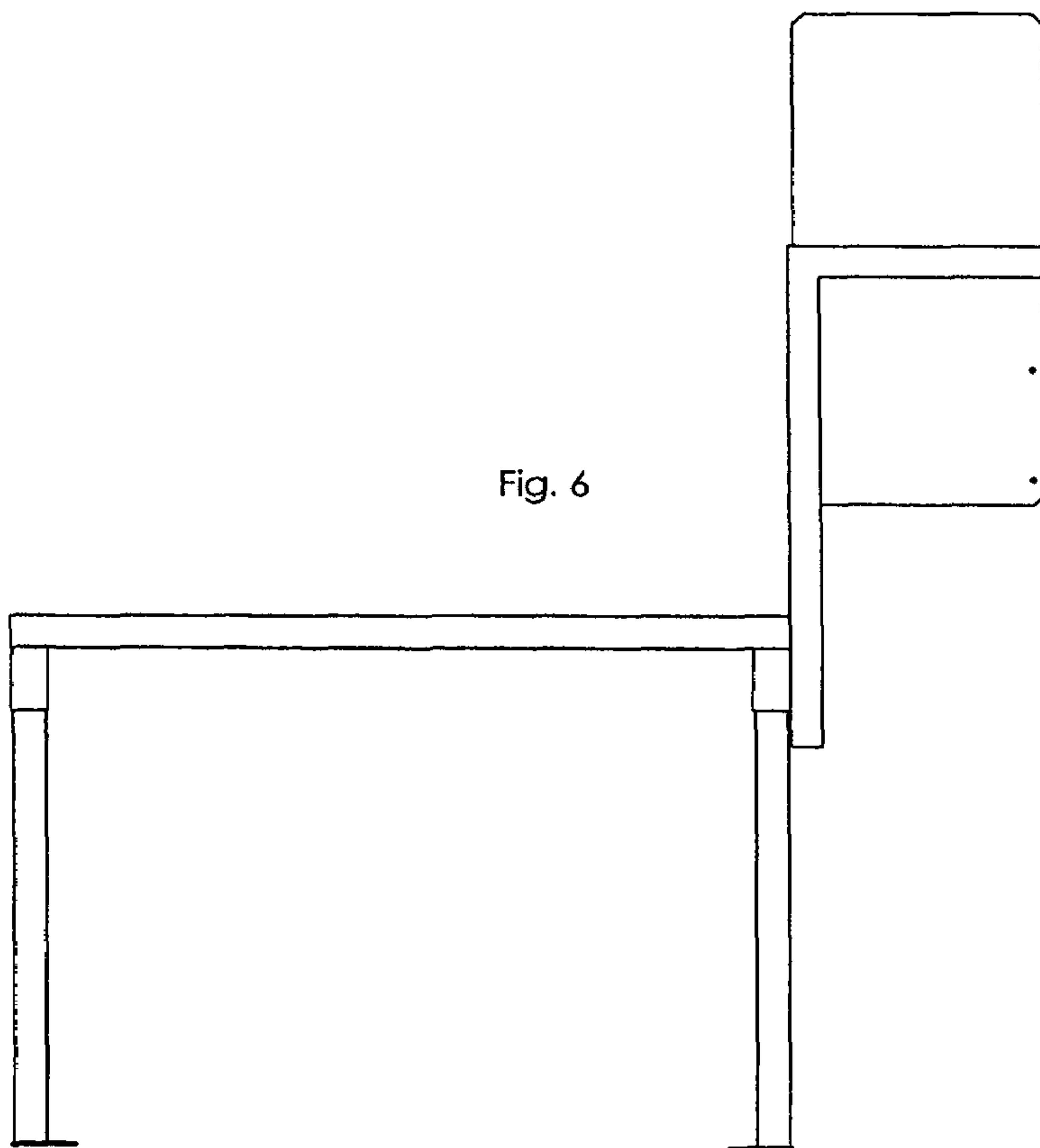


Fig. 6

Fig. 7

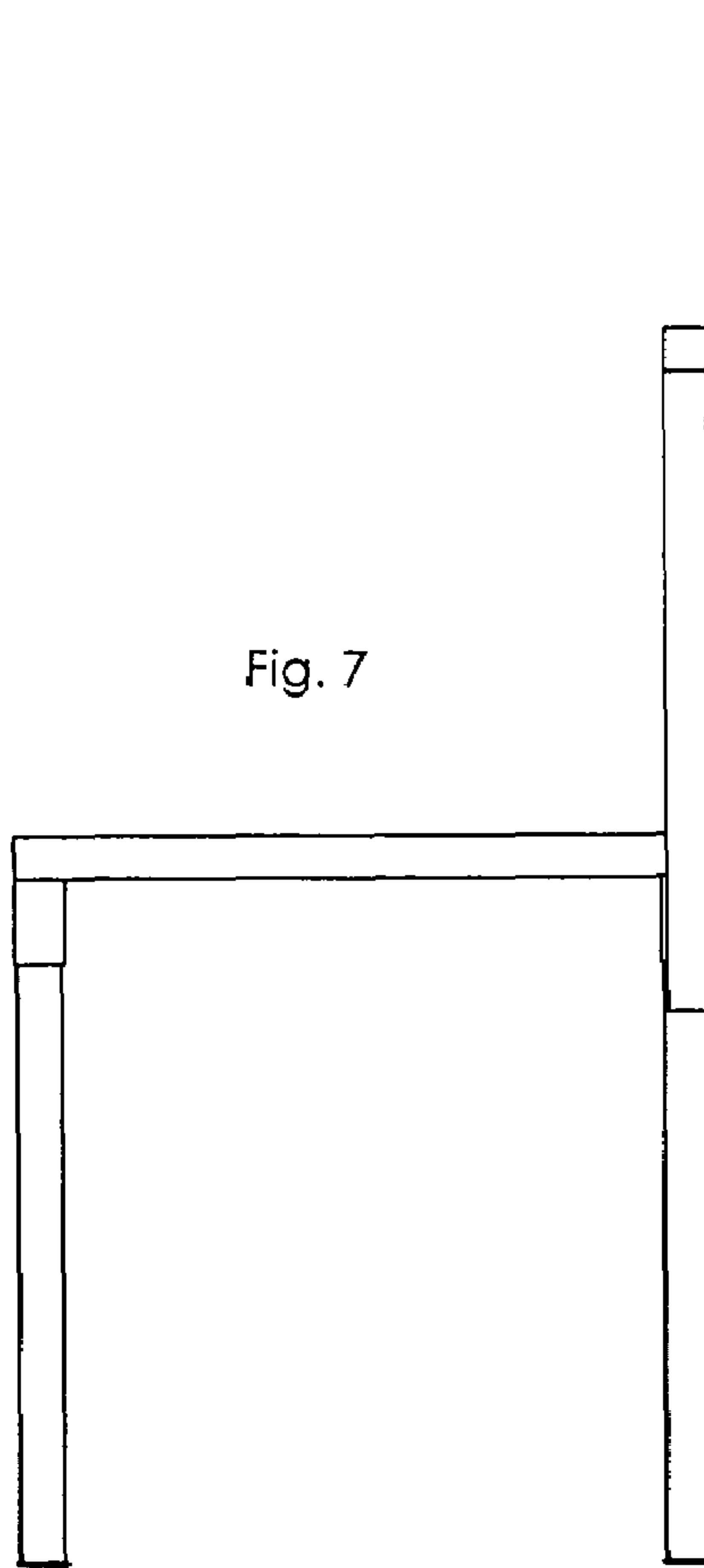


Fig. 8

