

US00D549921S

(12) **United States Design Patent**
Reckelhoff

(10) **Patent No.:** **US D549,921 S**

(45) **Date of Patent:** **** Aug. 28, 2007**

(54) **COMPUTER DESK FOR A COMPUTER CART**

(75) Inventor: **Ray Reckelhoff**, Elgin, SC (US)

(73) Assignee: **Rioux Vision, Inc.**, Elgin, SC (US)

(**) Term: **14 Years**

(21) Appl. No.: **29/262,907**

(22) Filed: **Jul. 13, 2006**

(51) **LOC (8) Cl.** **12-02**

(52) **U.S. Cl.** **D34/27; D6/426**

(58) **Field of Classification Search** D34/12-27;
D6/426, 422, 427, 474, 480, 511, 428, 429;
108/50.01, 147.19, 50.02, 147.1, 144.11;
312/194-196, 203, 239; 248/188.5
See application file for complete search history.

(56) **References Cited**

U.S. PATENT DOCUMENTS

D393,382	S *	4/1998	Rutter et al.	D6/474
5,806,943	A *	9/1998	Dell et al.	312/223.3
D424,772	S *	5/2000	Mullen	D34/17
D459,477	S *	6/2002	Stocks et al.	D24/164
6,397,761	B1 *	6/2002	Moore	108/50.01
D492,856	S *	7/2004	Rossini et al.	D6/426

D493,042	S *	7/2004	Rossini et al.	D6/426
6,832,560	B2 *	12/2004	Seiler et al.	108/7
D500,575	S *	1/2005	Lucas	D34/12
D518,267	S *	3/2006	Arceta	D34/14
D535,509	S *	1/2007	Rossini et al.	D6/511

* cited by examiner

Primary Examiner—Cynthia E. Ramirez

(74) *Attorney, Agent, or Firm*—Sara A. Centioni; Michael A. Mann; Nexsen Pruet Adams Kleemeier, LLC

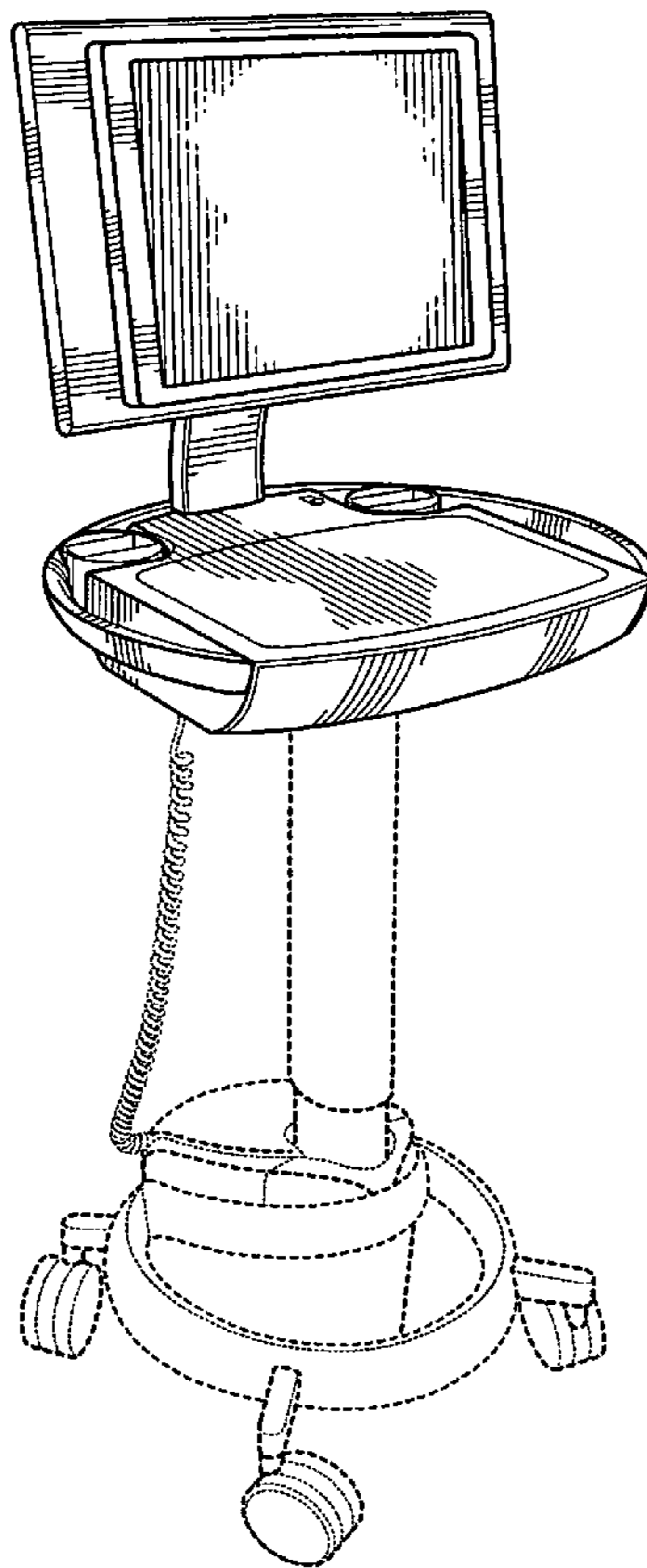
(57) **CLAIM**

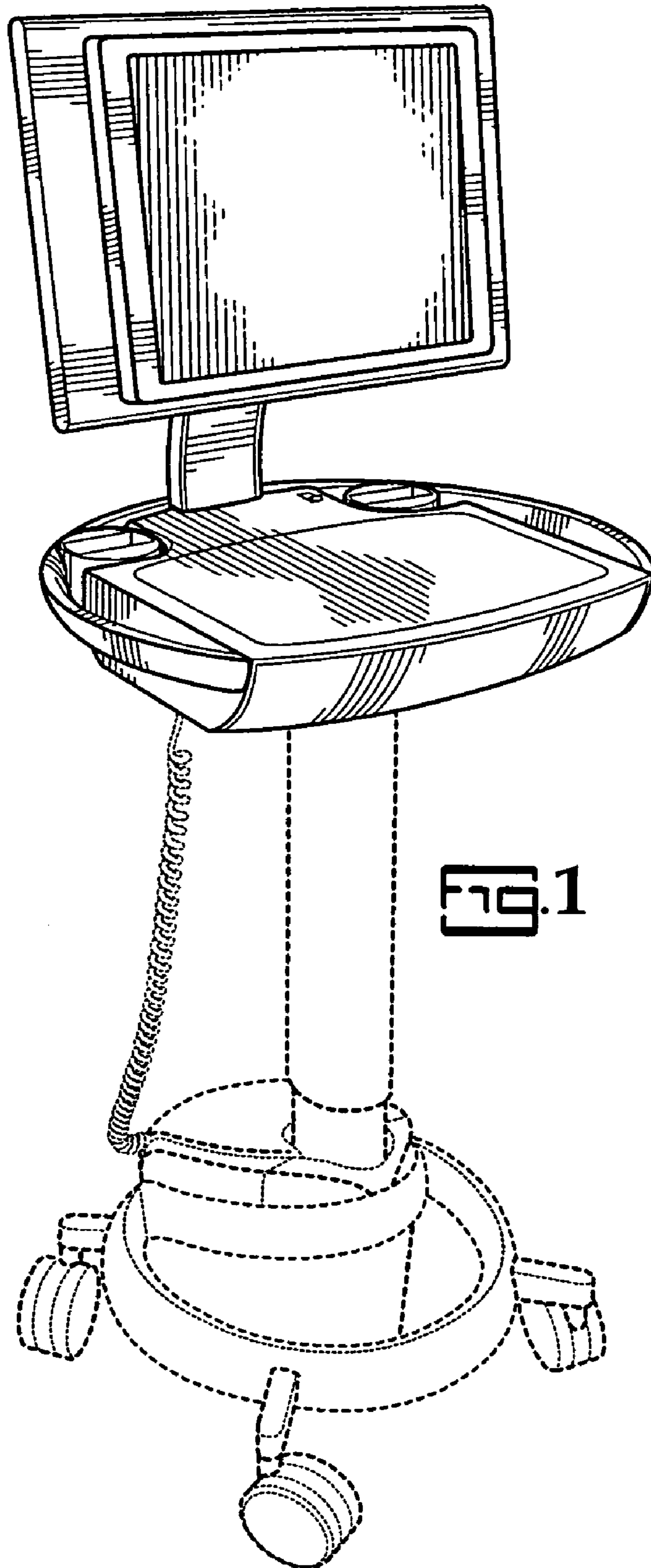
I claim the ornamental design for a computer desk for a computer cart, as shown and described.

DESCRIPTION

FIG. 1 is a perspective view of a computer desk for a computer cart showing my new design;
FIG. 2 is a front view thereof;
FIG. 3 is a rear view thereof;
FIG. 4 is a left side view of thereof;
FIG. 5 is a right side view of thereof;
FIG. 6 is a top view thereof; and,
FIG. 7 is a bottom view thereof.

1 Claim, 4 Drawing Sheets





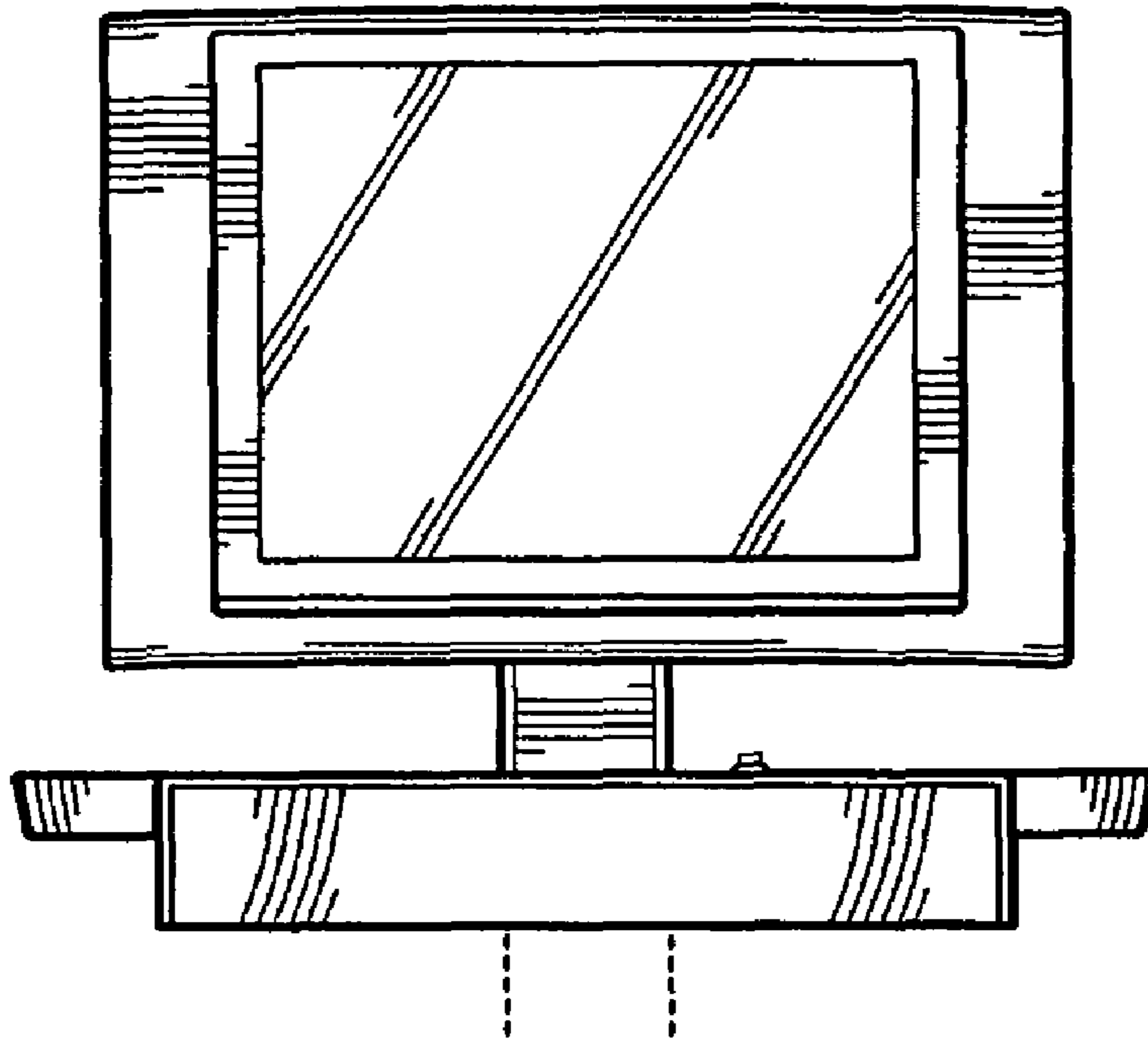


FIG. 2

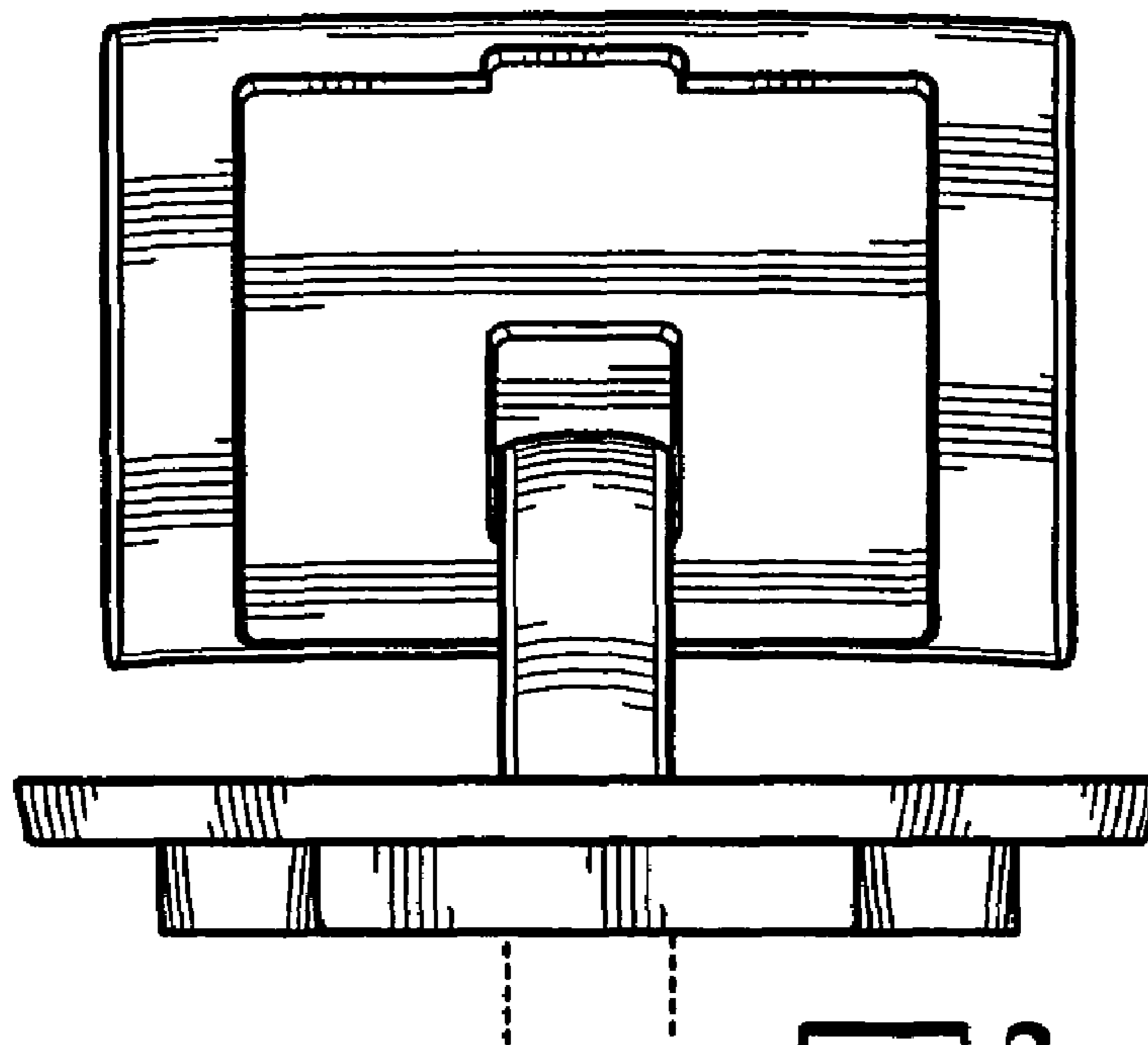


FIG. 3

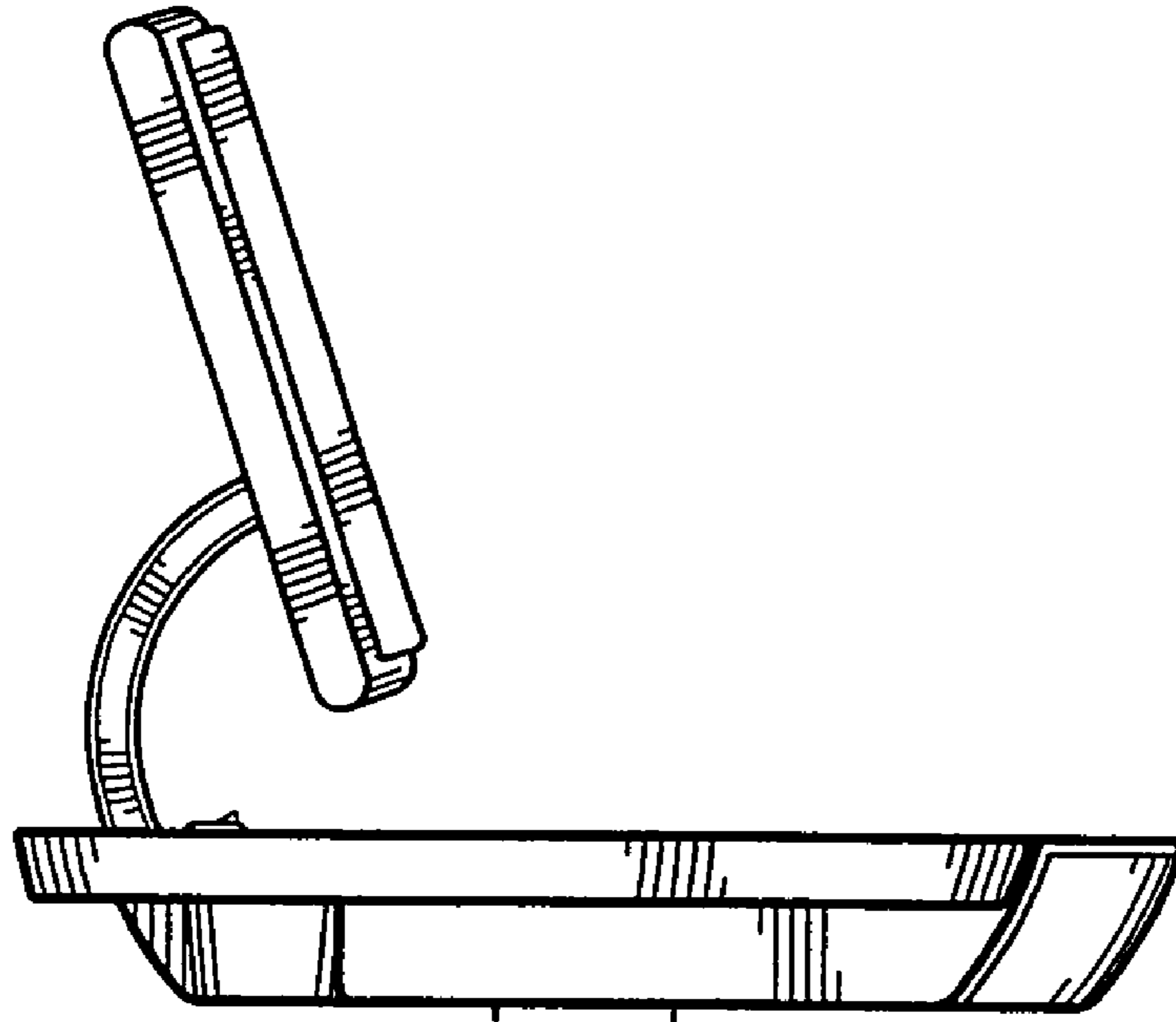


FIG. 4

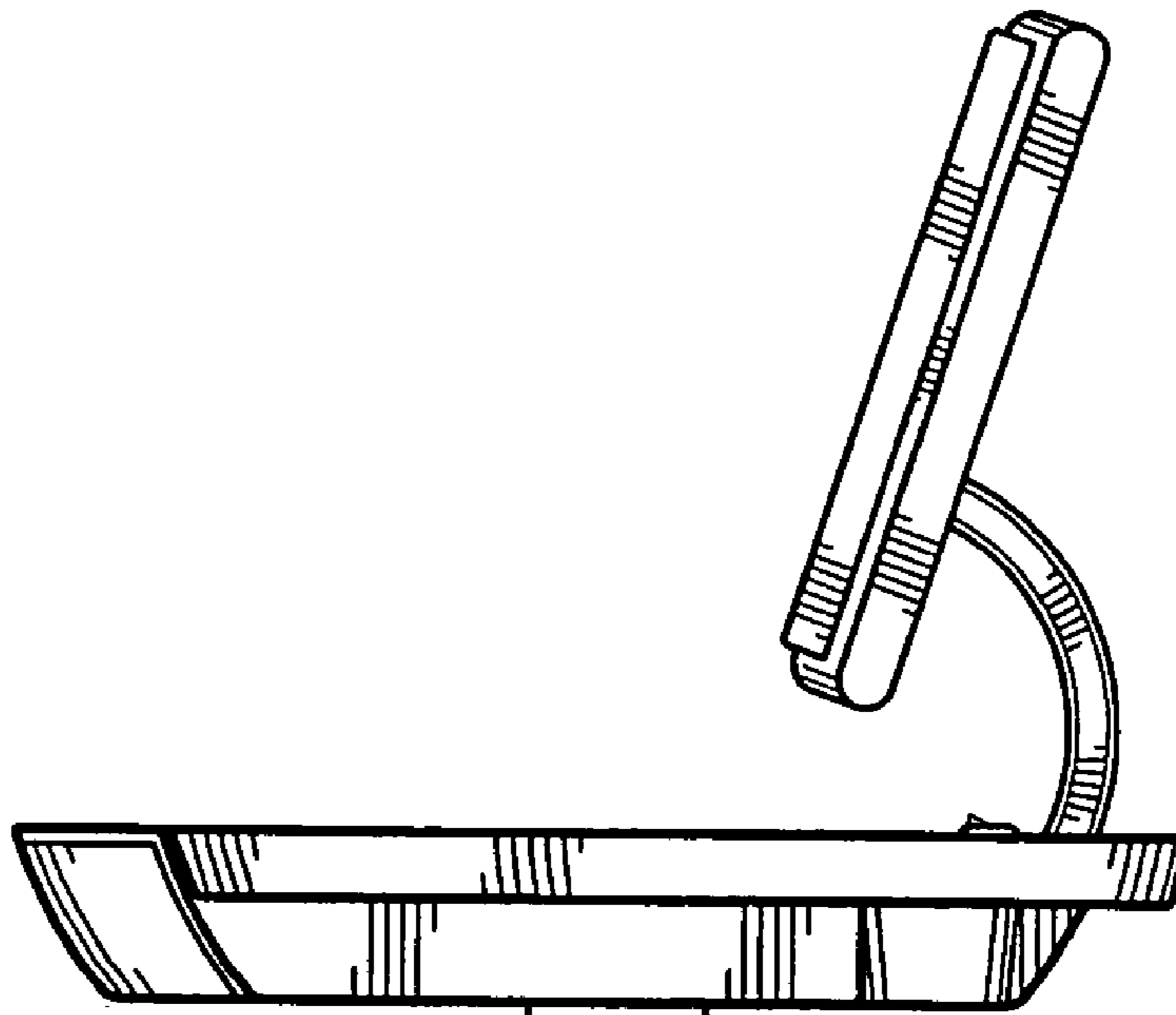


FIG. 5

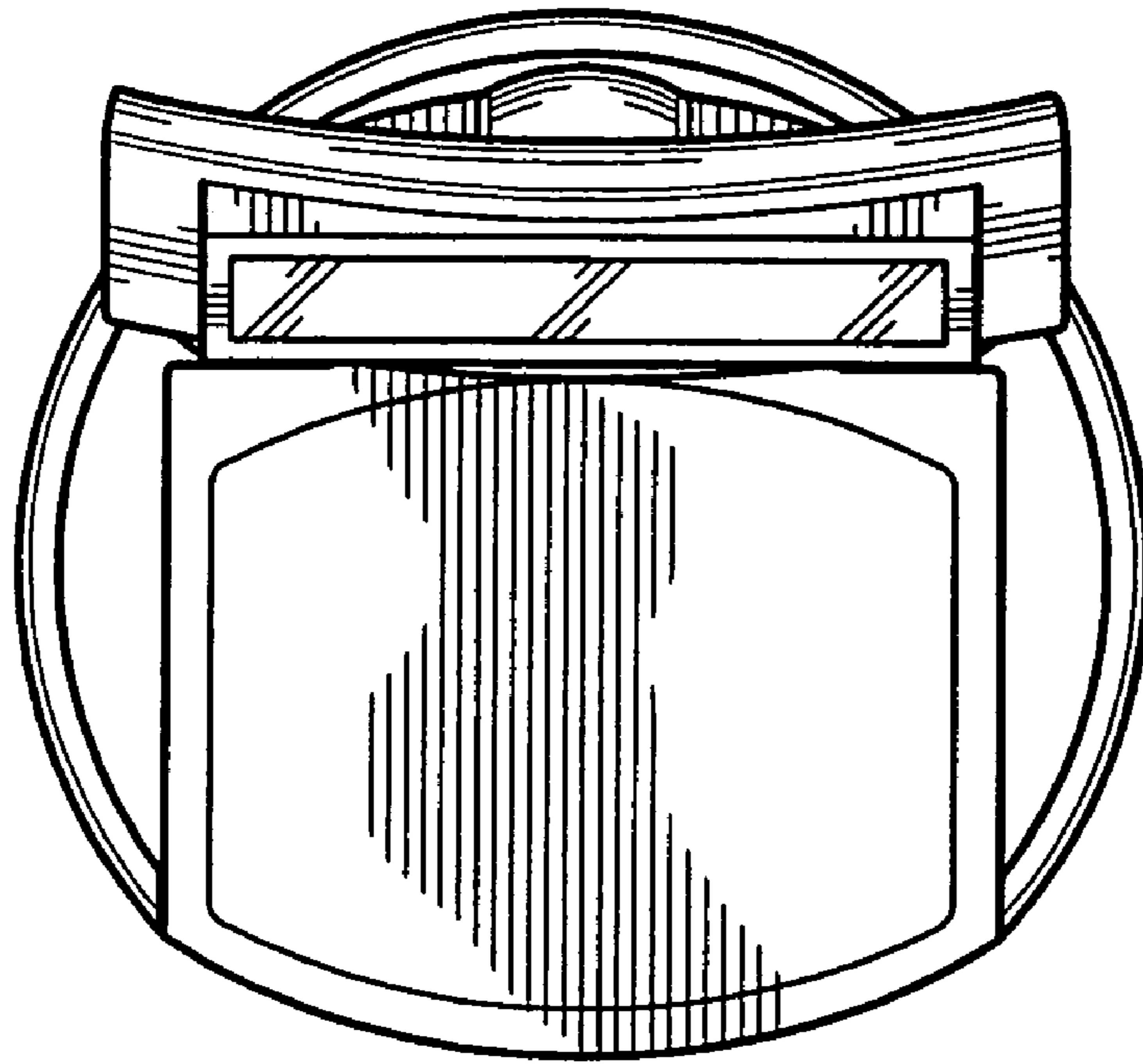


FIG. 6

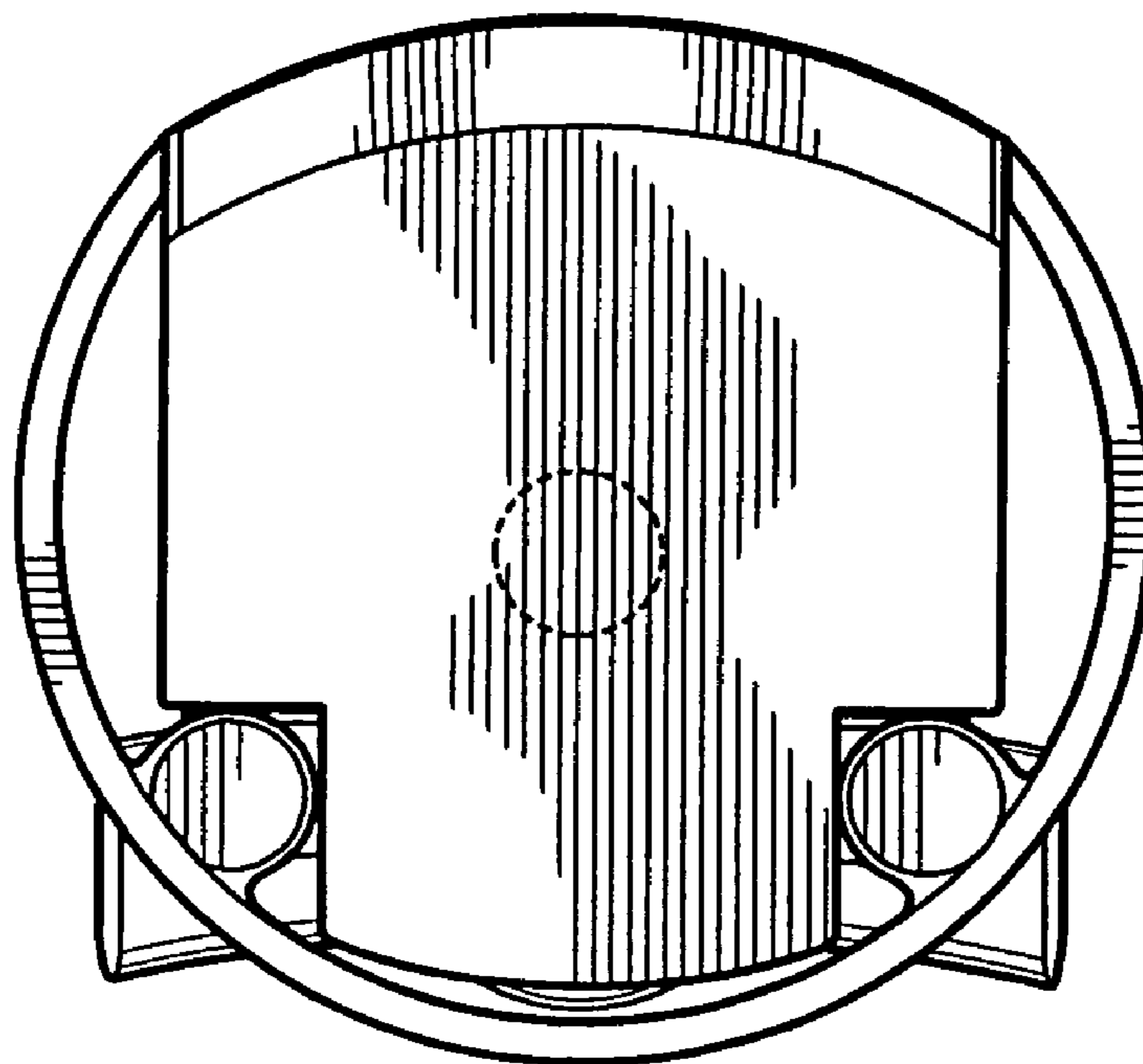


FIG. 7