



US00D549920S

(12) **United States Design Patent**  
**Dukes**

(10) **Patent No.:** **US D549,920 S**

(45) **Date of Patent:** **\*\* Aug. 28, 2007**

(54) **DOLLY**

(75) Inventor: **Stephen A. Dukes**, North Baltimore,  
OH (US)

(73) Assignee: **Impact Products, LLC**, Toledo, OH  
(US)

(\*\*) Term: **14 Years**

(21) Appl. No.: **29/248,026**

(22) Filed: **Jul. 26, 2006**

(51) **LOC (8) Cl.** ..... **12-02**

(52) **U.S. Cl.** ..... **D34/23**

(58) **Field of Classification Search** ..... D34/12-27;  
280/33.998, 79.11, 79.4, 79.3

See application file for complete search history.

(56) **References Cited**

**U.S. PATENT DOCUMENTS**

2,083,259 A	6/1937	Ginter	
D175,262 S	8/1955	Kousens	
D251,833 S *	5/1979	Maza et al. ....	D34/23
D257,767 S *	1/1981	Maza et al. ....	D34/23
D302,944 S	8/1989	Mount	
D321,965 S	11/1991	Delmerico et al.	
5,074,572 A	12/1991	Delmerico et al.	
D328,172 S *	7/1992	Juergens ....	D34/23
5,309,670 A	5/1994	Bates	
D349,995 S	8/1994	Cassel et al.	
5,445,396 A *	8/1995	Sebor ....	280/33.998

5,632,497 A *	5/1997	Murray .....	280/47.35
5,758,888 A	6/1998	Burgan et al.	
5,823,549 A *	10/1998	Morgan, Jr. ....	280/33.998
5,921,566 A	7/1999	Kern et al.	
D446,264 S	8/2001	Fischer et al.	
RE37,350 E	9/2001	Stephan	
D448,536 S	9/2001	Treschitta	
6,488,293 B1	12/2002	Mitchell et al.	
6,561,530 B2	5/2003	Carbonero	
6,893,032 B2	5/2005	Kershaw	
D513,353 S	12/2005	Pederson	
2004/0145139 A1 *	7/2004	Kershaw .....	280/79.5
2004/0245735 A1	12/2004	Pins	

\* cited by examiner

*Primary Examiner*—Cynthia E. Ramirez

(74) *Attorney, Agent, or Firm*—Fraser Clemens Martin &  
Miller LLC; Donald R. Fraser

(57) **CLAIM**

The ornamental design for a dolly, as shown and described.

**DESCRIPTION**

FIG. 1 is a top perspective view of a caddy incorporating my new design;

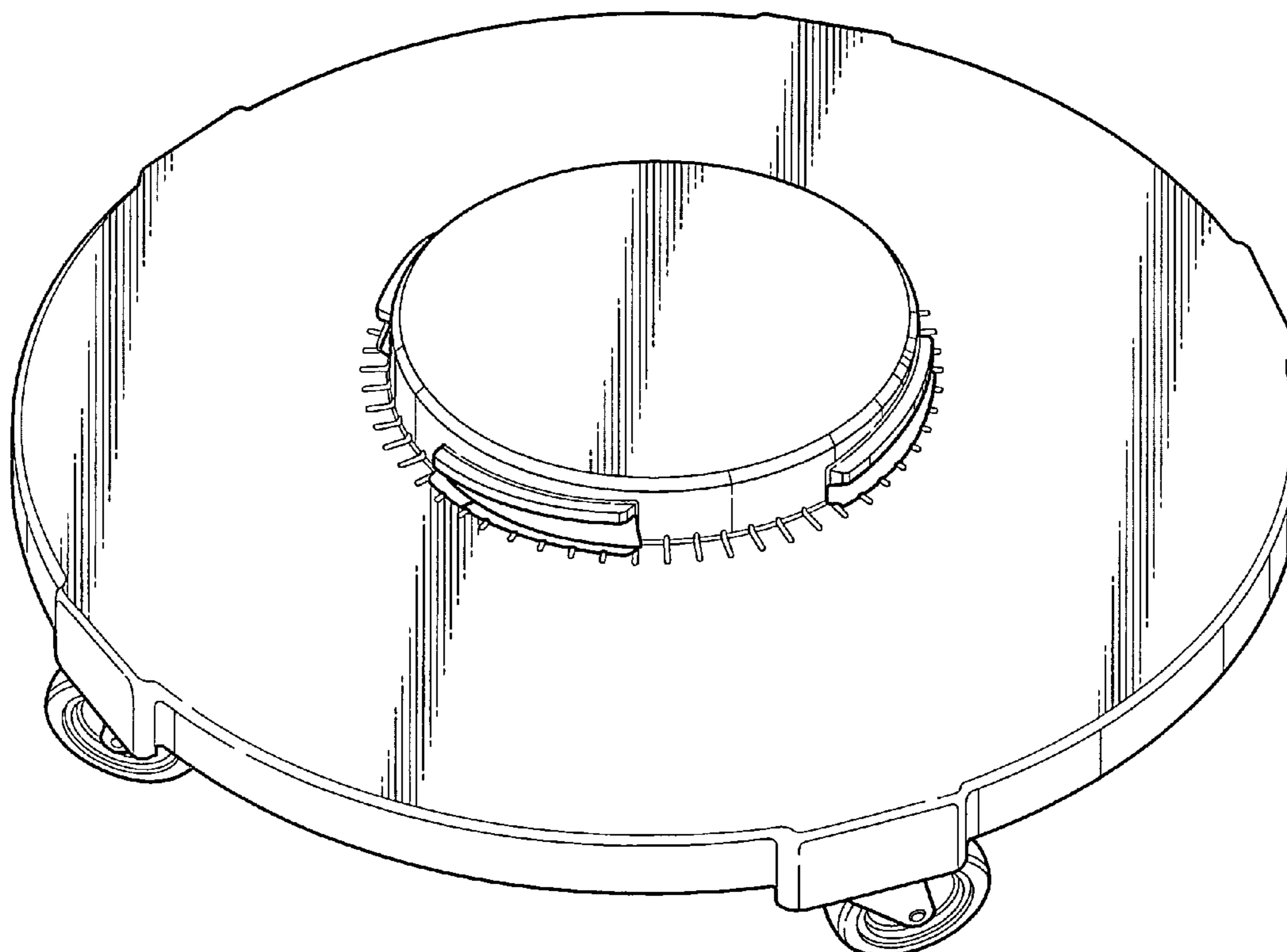
FIG. 2 is a bottom perspective view thereof;

FIG. 3 is a front elevational view thereof;

FIG. 4 is a top plan view thereof; and,

FIG. 5 is a bottom plan view thereof.

**1 Claim, 5 Drawing Sheets**



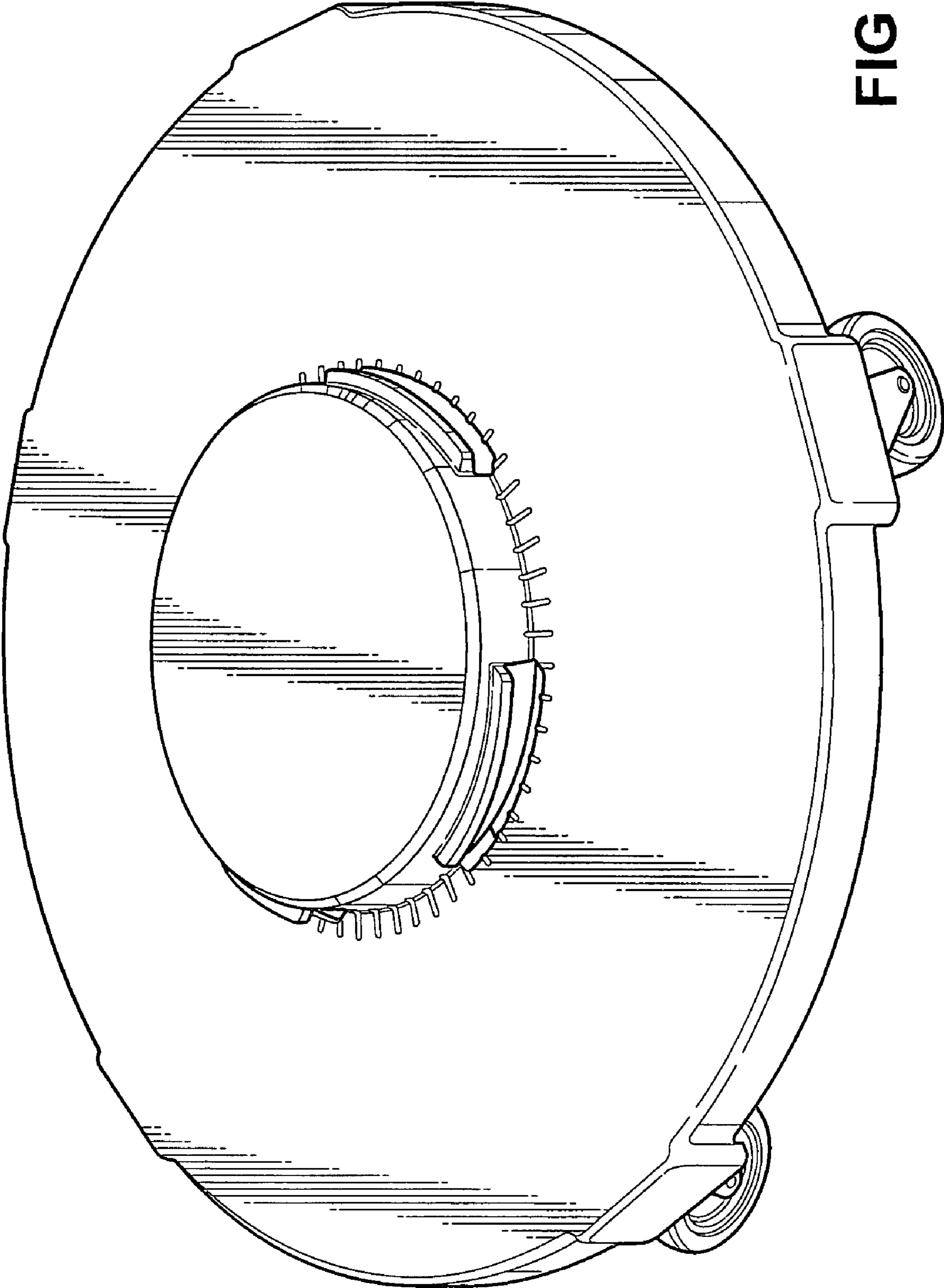


FIG - 1

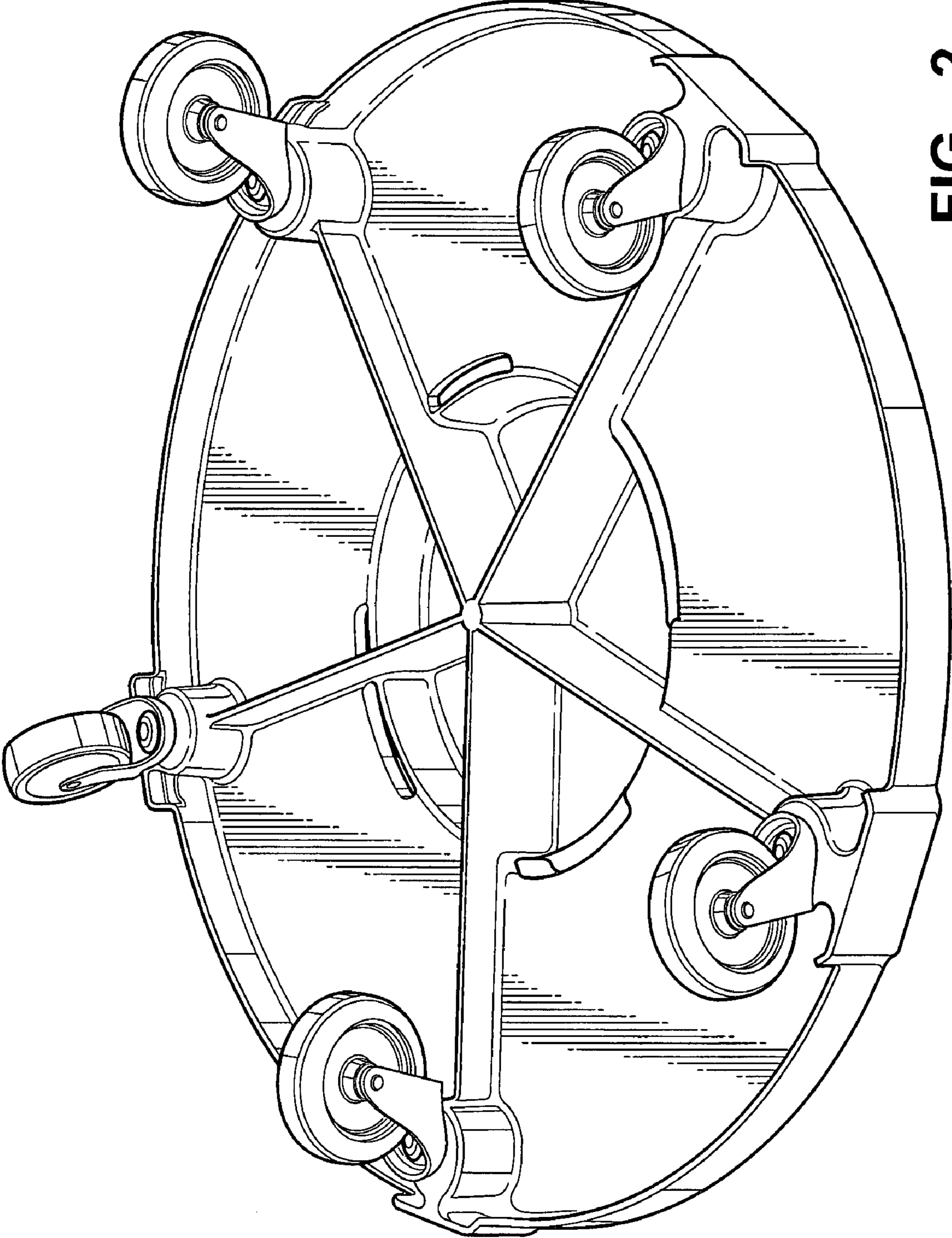
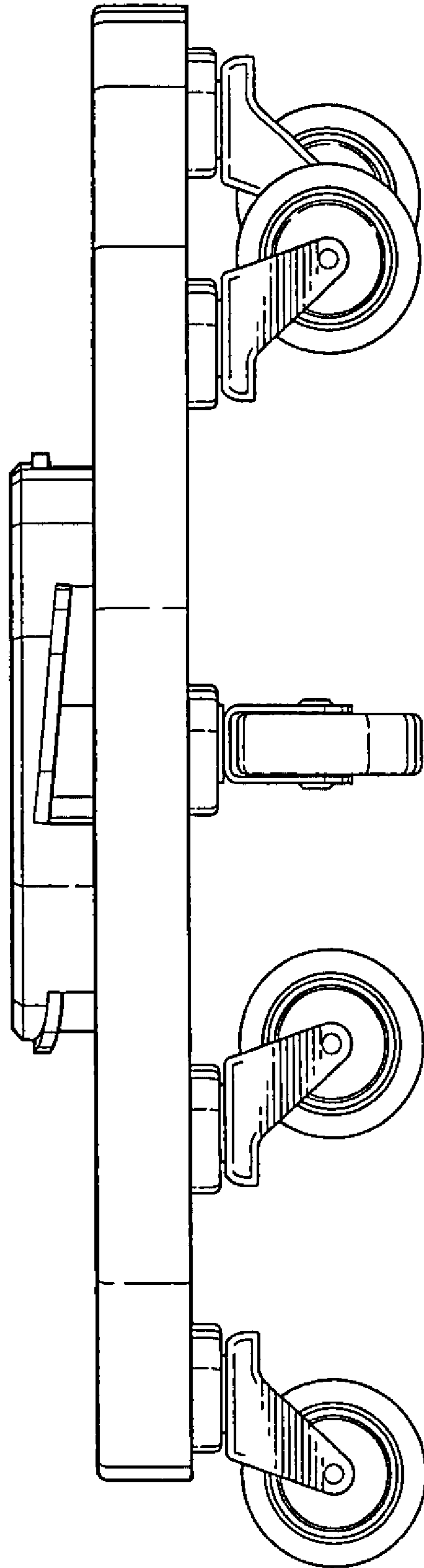
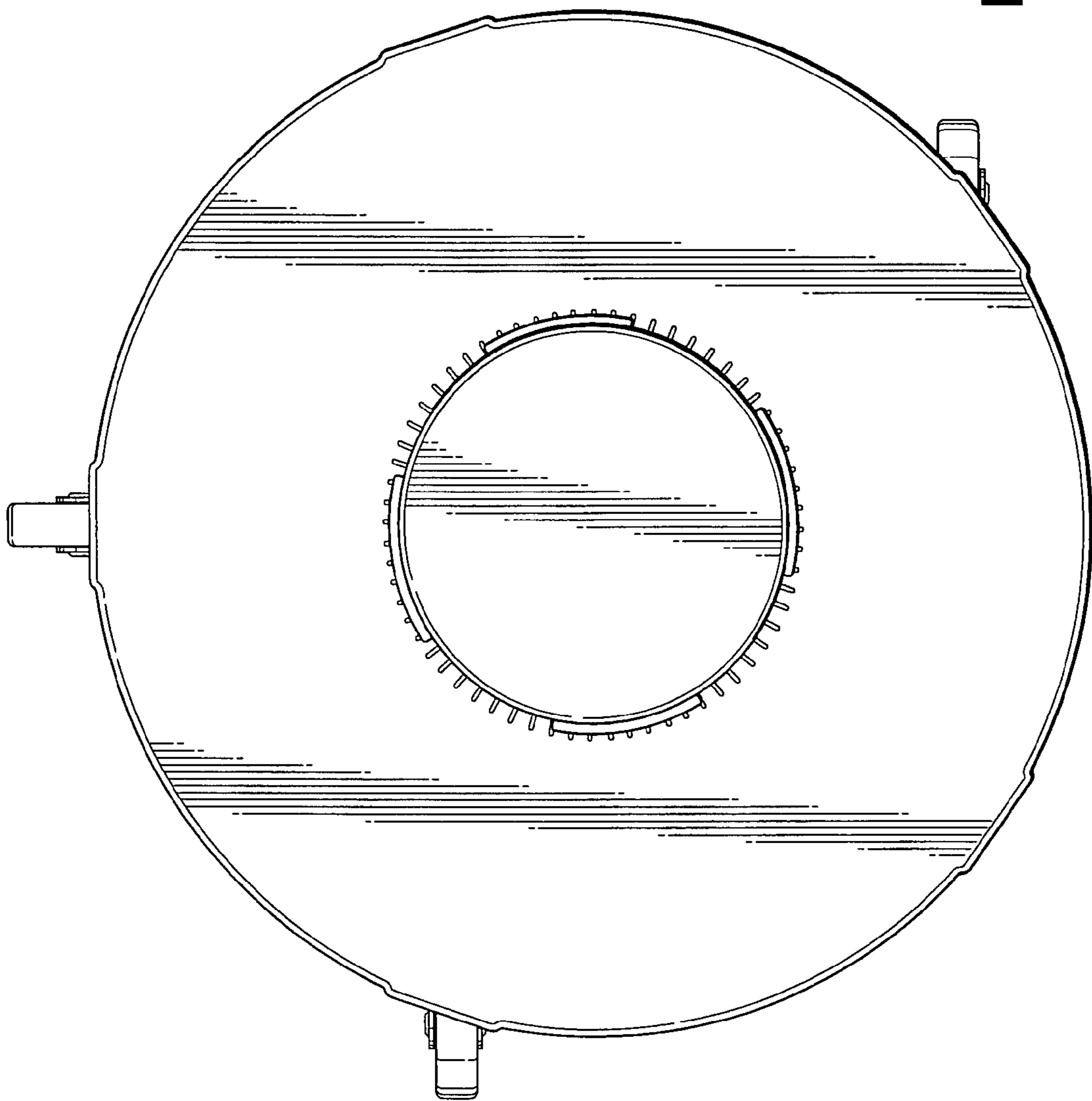


FIG - 2



**FIG - 3**

FIG - 4



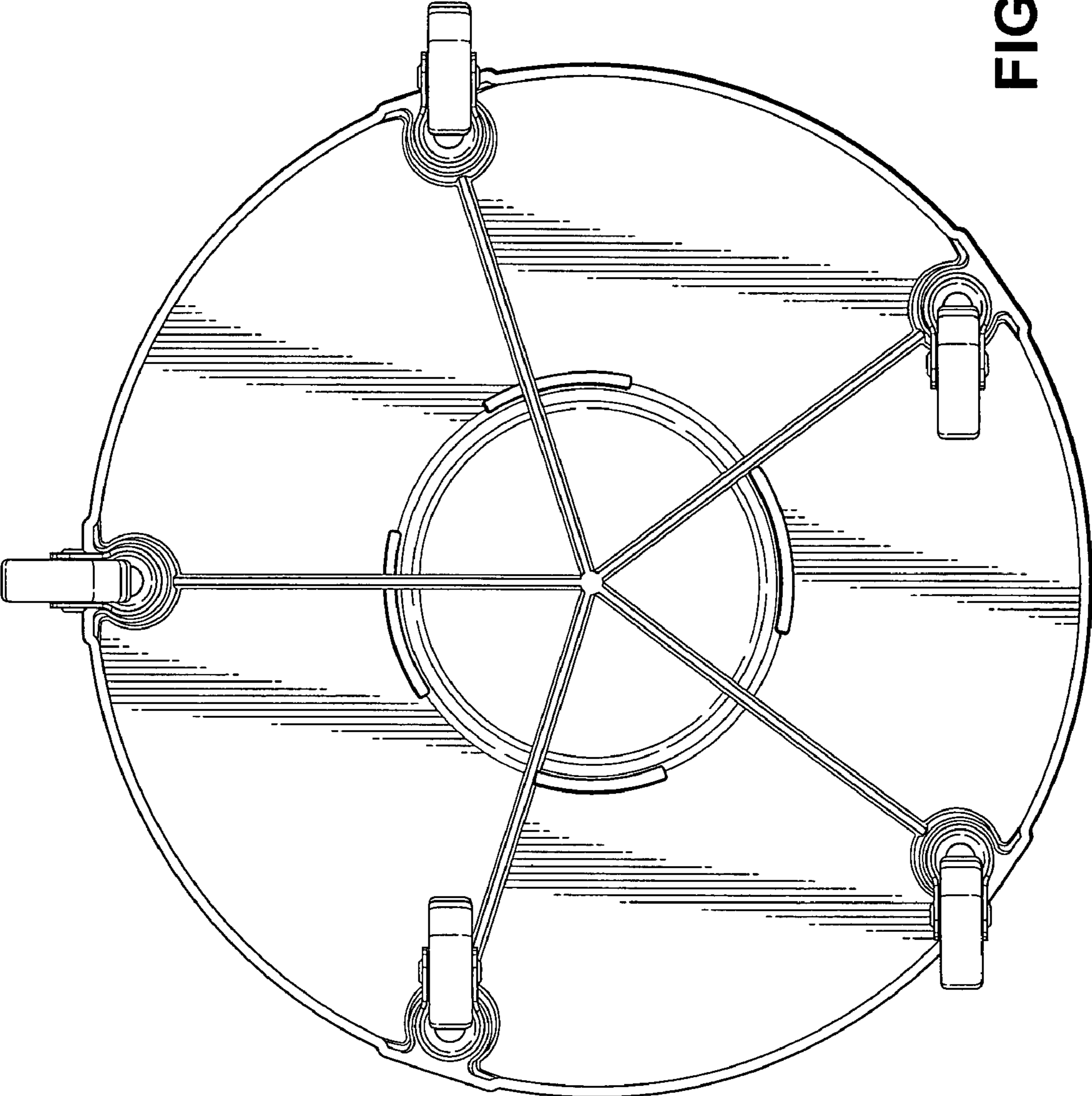


FIG - 5