

US00D549919S

(12) **United States Design Patent** (10) **Patent No.:** **US D549,919 S**
Ash et al. (45) **Date of Patent:** **** Aug. 28, 2007**

(54) **SHOPPING VEHICLE**

(75) Inventors: **Robert W. Ash**, Andover, MN (US);
Mitchell W. Knoll, Eagan, MN (US);
William D. Splain, Brooklyn Park, MN
(US); **Larry S. Hubbard**, Hastings,
MN (US)

(73) Assignee: **Target Brands, Inc.**, Minneapolis, MN
(US)

(**) Term: **14 Years**

(21) Appl. No.: **29/260,189**

(22) Filed: **May 19, 2006**

(51) **LOC (8) Cl.** **12-02**

(52) **U.S. Cl.** **D34/14**

(58) **Field of Classification Search** D34/12-27;
280/33.991, 33.992, 33.993, 33.994, 33.995,
280/33.996, 33.997, 47.34, 47.35, 47.18,
280/47.21, 47.37, 47.28, 47.29, 79.3, 654
See application file for complete search history.

(56) **References Cited**

U.S. PATENT DOCUMENTS

3,044,801 A 7/1962 Vicany

(Continued)

FOREIGN PATENT DOCUMENTS

WO WO 02/068254 A1 9/2002

(Continued)

OTHER PUBLICATIONS

Shopper's Aid TMII brochure by Mart Cart, available prior to May
19, 2006. 2 pgs.

(Continued)

Primary Examiner—Cynthia E. Ramirez

(74) *Attorney, Agent, or Firm*—Dicke, Billig, & Czaja,
PLLC

(57) **CLAIM**

The ornamental design for a shopping vehicle, as shown and
described.

DESCRIPTION

FIG. 1 is an isometric view of a shopping vehicle according
to an embodiment of the invention, with elements in dashed
lines forming no part of the claimed design.

FIG. 2 is a left side view of a shopping vehicle, according
to an embodiment of the invention, with a right side view
being a mirror image of the left side view and with elements
in dashed lines forming no part of the claimed design.

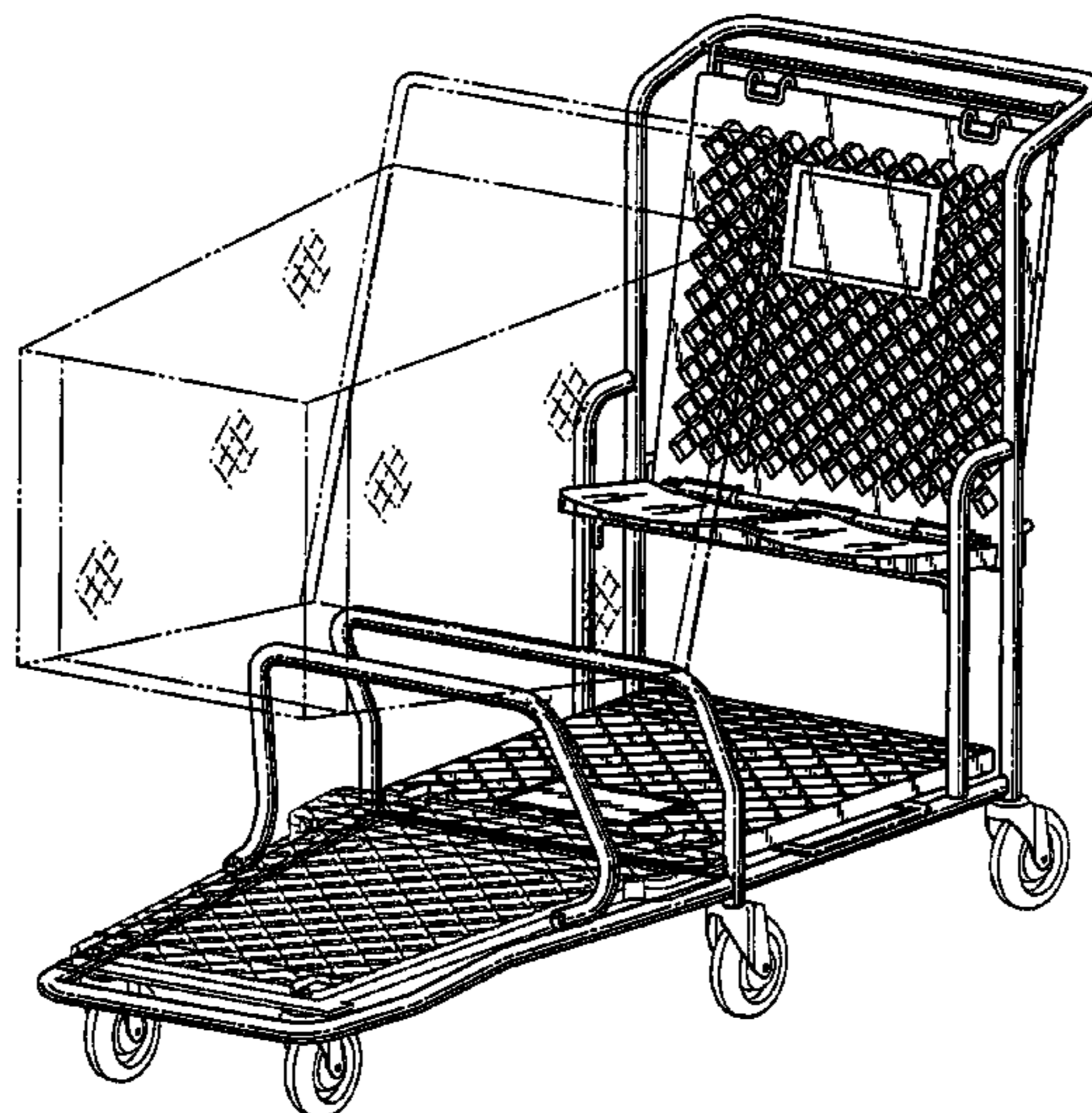
FIG. 3 is a top view of a shopping vehicle, according to an
embodiment of the invention, with elements in dashed lines
forming no part of the claimed design and with the dashed
lines of a basket shown in FIGS. 1-2 being omitted for
illustrative clarity.

FIG. 4 is a bottom view of a shopping vehicle, according to
an embodiment of the invention, with elements in dashed
lines forming no part of the claimed design and with the
dashed lines of a basket shown in FIGS. 1-2 being omitted
for illustrative clarity.

FIG. 5 is a front view of a shopping vehicle, according to an
embodiment of the invention, with elements in dashed lines
forming no part of the claimed design and with the dashed
lines of a basket shown in FIGS. 1-2 being omitted for
illustrative clarity; and,

FIG. 6 rear view of a shopping vehicle, according to an
embodiment of the invention, with elements in dashed lines
forming no part of the claimed design and with the dashed
lines of a basket shown in FIGS. 1-2 being omitted for
illustrative clarity.

1 Claim, 5 Drawing Sheets



US D549,919 S

Page 2

U.S. PATENT DOCUMENTS

3,170,709 A 2/1965 Shackel
3,497,234 A 2/1970 Schray
D230,142 S 1/1974 Mueller
3,885,806 A 5/1975 Trubiano
4,305,601 A 12/1981 Berge
4,381,870 A 5/1983 Mueller
4,484,755 A 11/1984 Houston
4,601,479 A 7/1986 Reinbold et al.
4,721,317 A 1/1988 Avot
4,771,840 A * 9/1988 Keller 180/11
4,976,447 A * 12/1990 Batson 280/33.994
D318,550 S 7/1991 Stefano
5,149,114 A 9/1992 Lewandowski et al.
D331,135 S 11/1992 Lewandowski et al.
5,312,122 A 5/1994 Doty
D357,105 S 4/1995 Reiland et al.
5,409,245 A 4/1995 Kern et al.
D365,904 S 1/1996 Adamson et al.
5,595,394 A 1/1997 Adamson
D386,873 S 11/1997 D'Estaintot et al.
5,823,548 A 10/1998 Reiland et al.
5,882,021 A 3/1999 Reiland et al.
5,918,891 A 7/1999 Russell
6,022,031 A 2/2000 Reiland et al.
6,086,085 A 7/2000 Larsson
6,126,181 A * 10/2000 Ondrasik 280/33.991
6,237,924 B1 5/2001 Reiland et al.
6,270,093 B1 8/2001 Johnson et al.
6,364,325 B1 4/2002 Chalfant
6,364,326 B1 4/2002 Reiland et al.
6,378,891 B1 4/2002 Maher et al.
6,464,238 B2 10/2002 Reiland et al.
6,513,817 B2 2/2003 McCue et al.

6,572,122 B2 6/2003 Johnson et al.
6,575,480 B2 6/2003 McKelvey
6,641,147 B2 11/2003 Werner
6,644,674 B2 * 11/2003 Simard 280/33.991
6,702,313 B2 3/2004 Forshee et al.
D520,209 S * 5/2006 Duchene D34/27
D526,106 S * 8/2006 Tucker et al. D34/27
D526,107 S * 8/2006 Duchene D34/27
7,093,841 B2 8/2006 Conrad
2001/0035619 A1 11/2001 Reiland et al.
2002/0093179 A1 7/2002 McKelvey
2002/0117820 A1 8/2002 McCue et al.
2005/0006877 A1 1/2005 Kachkovsky
2005/0218613 A1 10/2005 Giampavolo et al.

FOREIGN PATENT DOCUMENTS

WO WO 2004/037684 A2 5/2004
WO WO 05/079438 A2 9/2005
WO WO 06/091445 A2 8/2006

OTHER PUBLICATIONS

Flop Top Cart brochure by Rehrig International, available prior to May 19, 2006. 2 pgs.
Bob Cart Series brochure by Rehrig International, available prior to May 19, 2006. 1 pg.
RTS Shuttle brochure by RTS Plastics, Inc., available prior to May 19, 2006. 2 pgs.
Race Cart brochure by RTS Plastics, Inc., available prior to May 19, 2006. 2 pgs.
Nestable Shop-Along®II publication by Safe-Strap Company, Inc., 2004. 2 pgs.

* cited by examiner

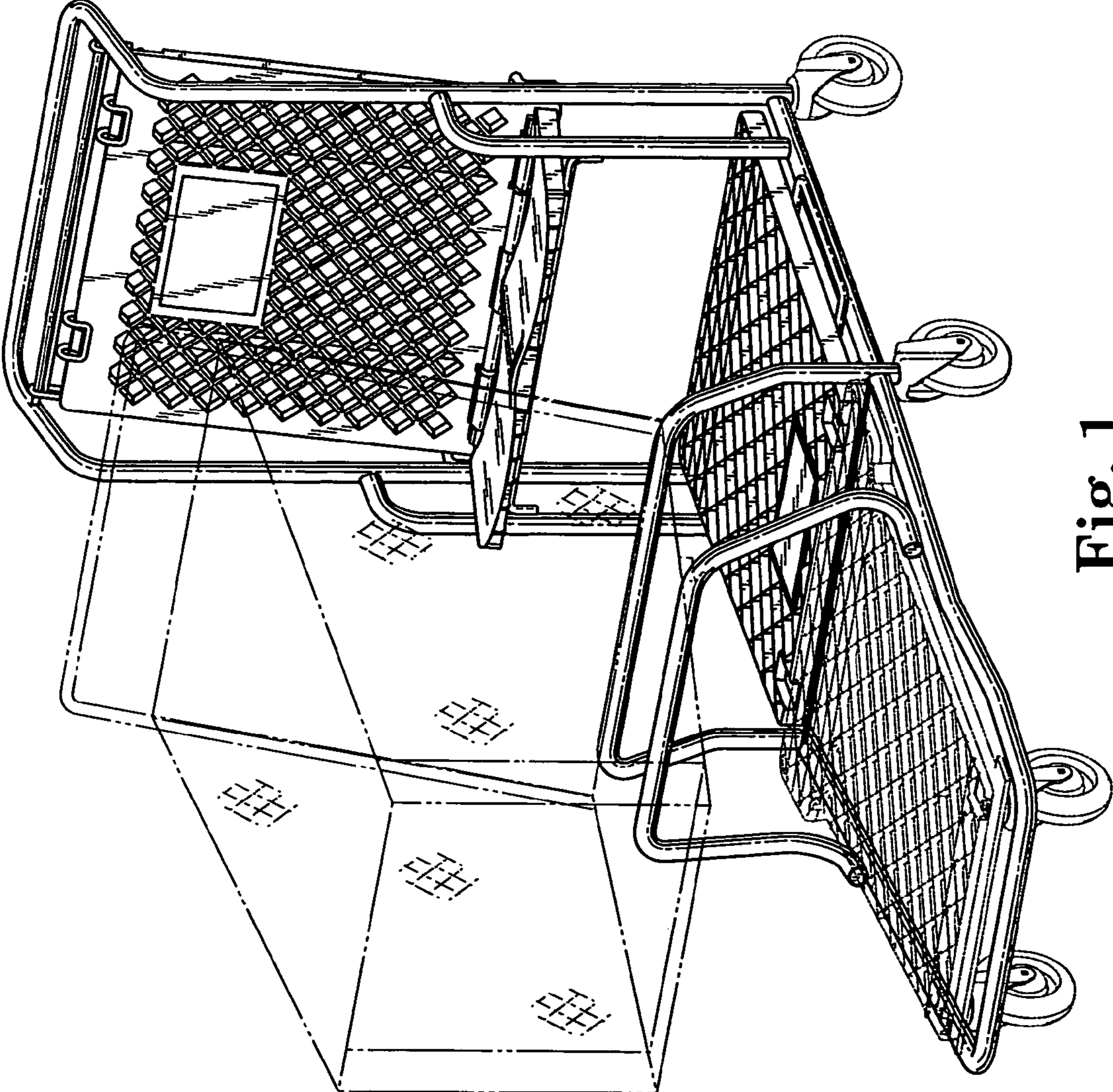


Fig. 1

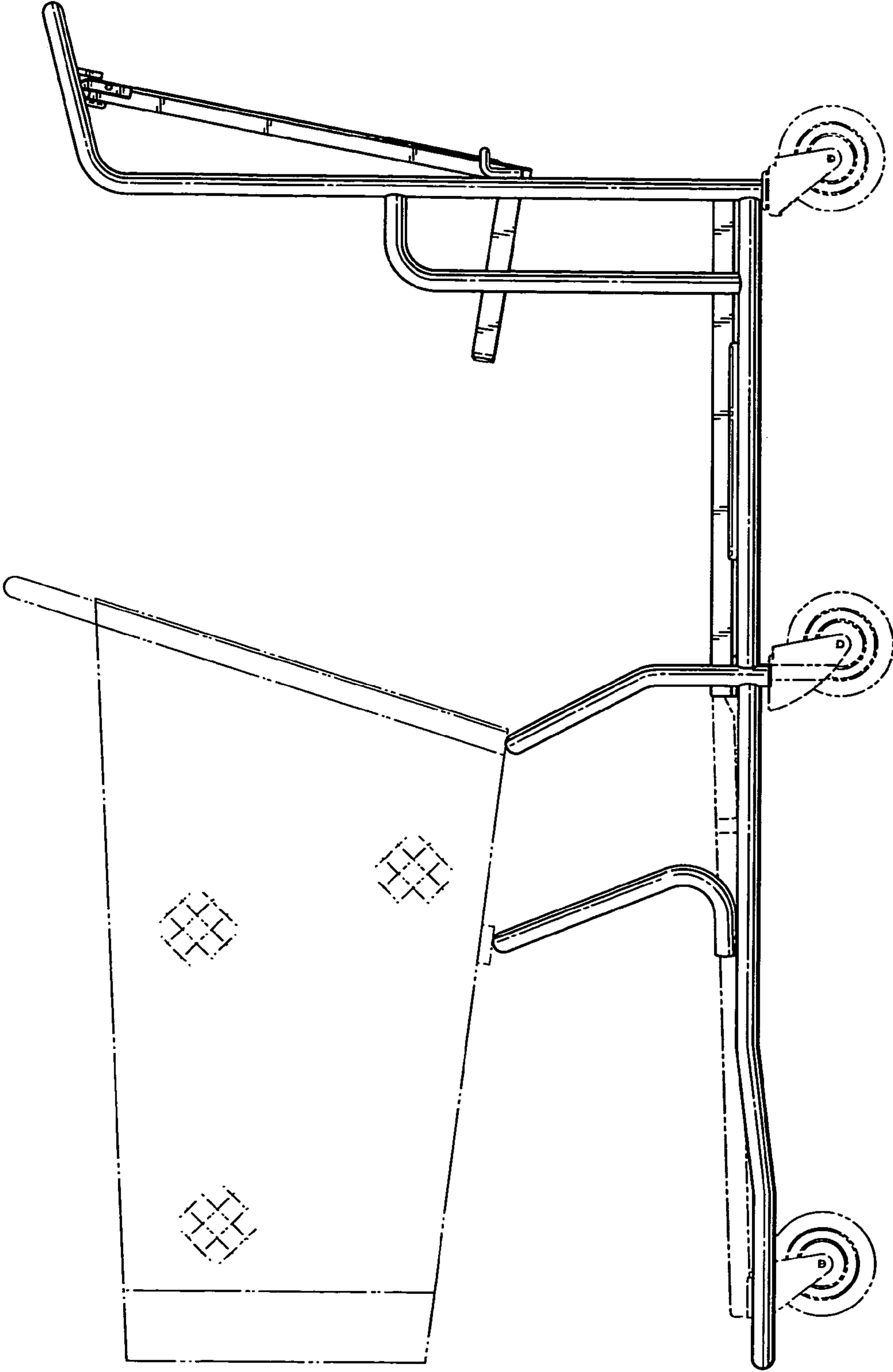


Fig. 2

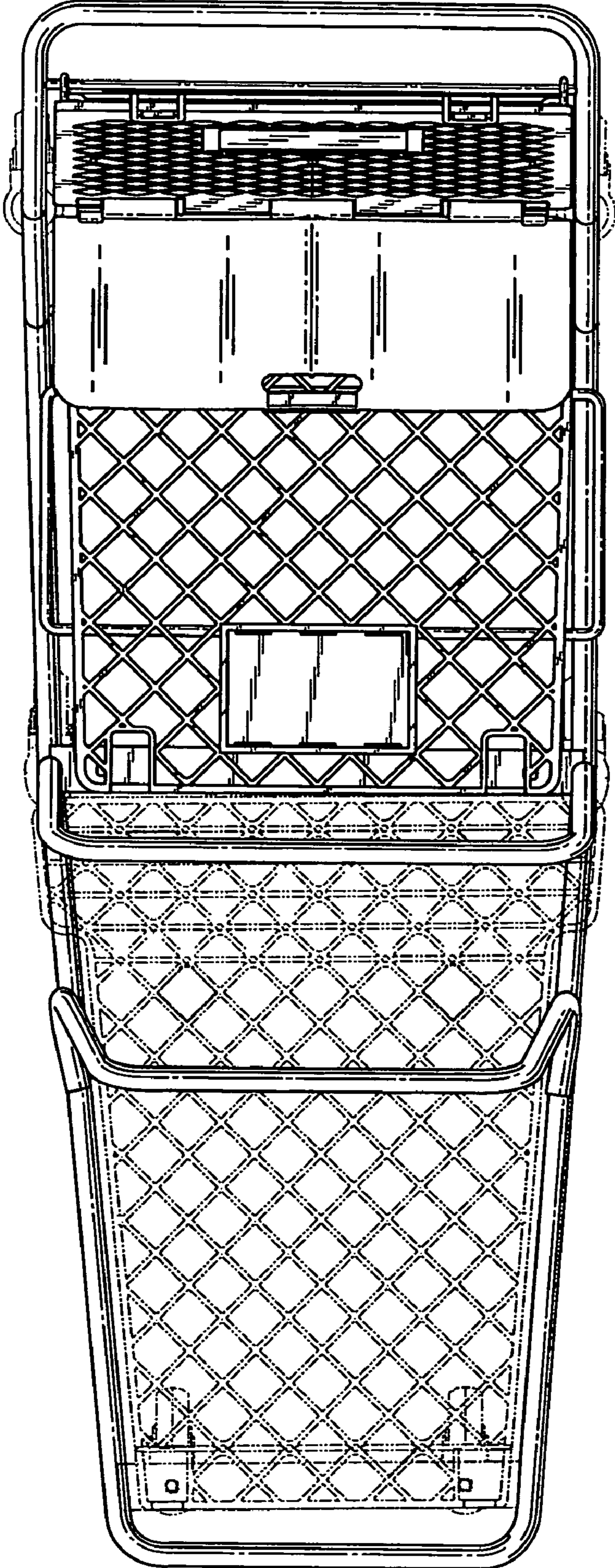


Fig. 3

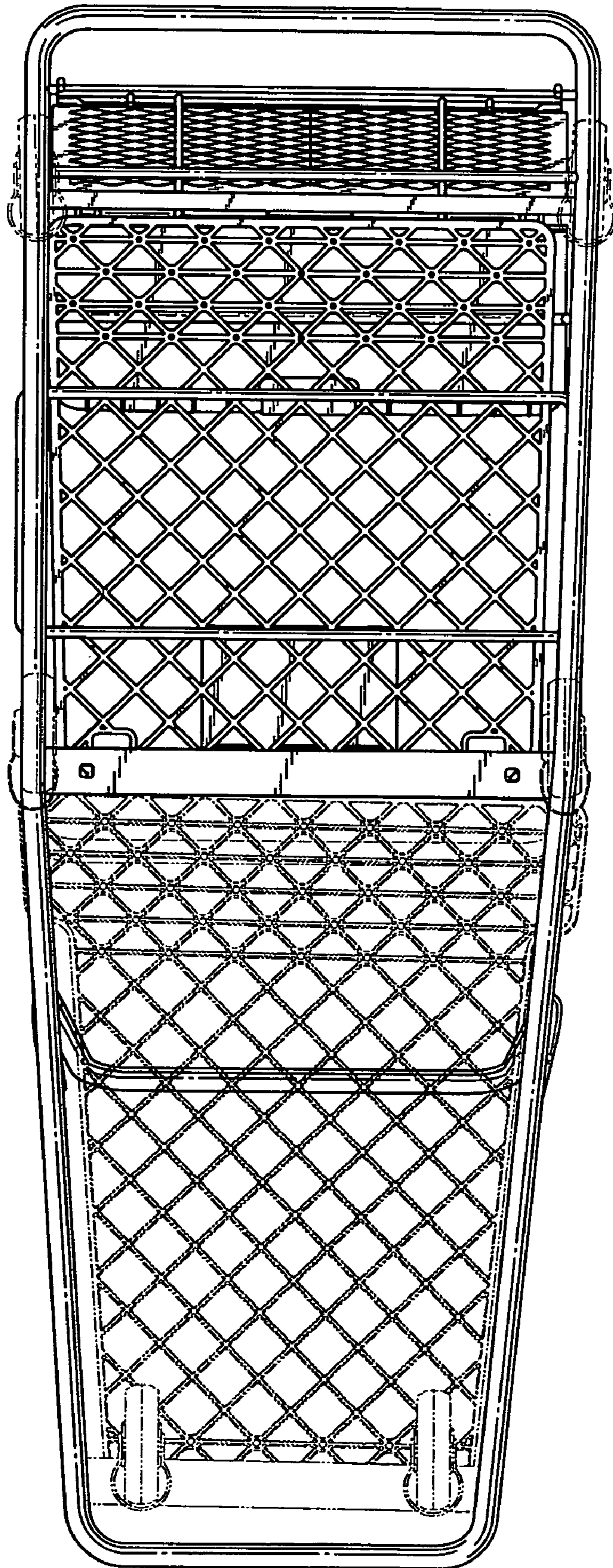


Fig. 4

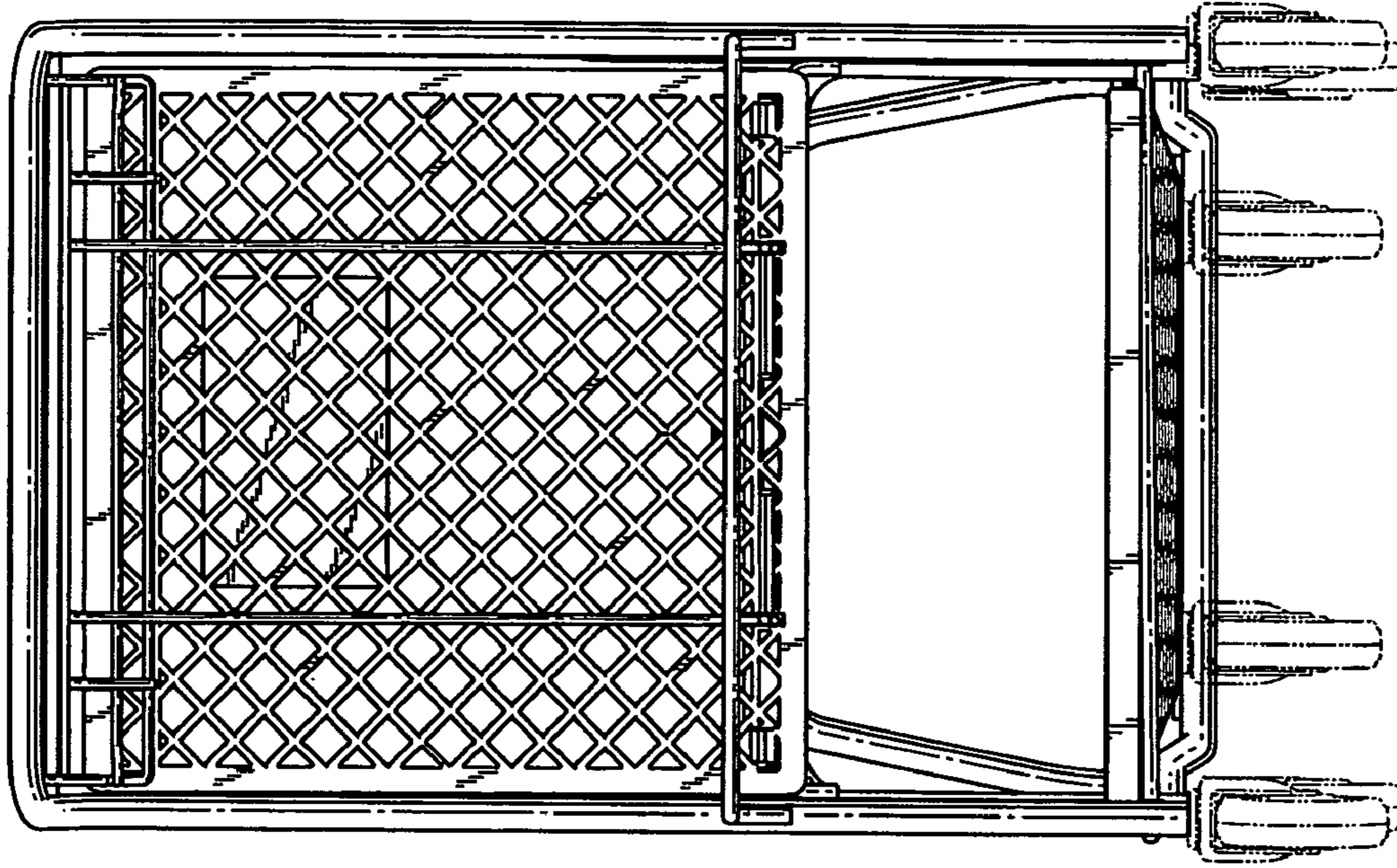


Fig. 6

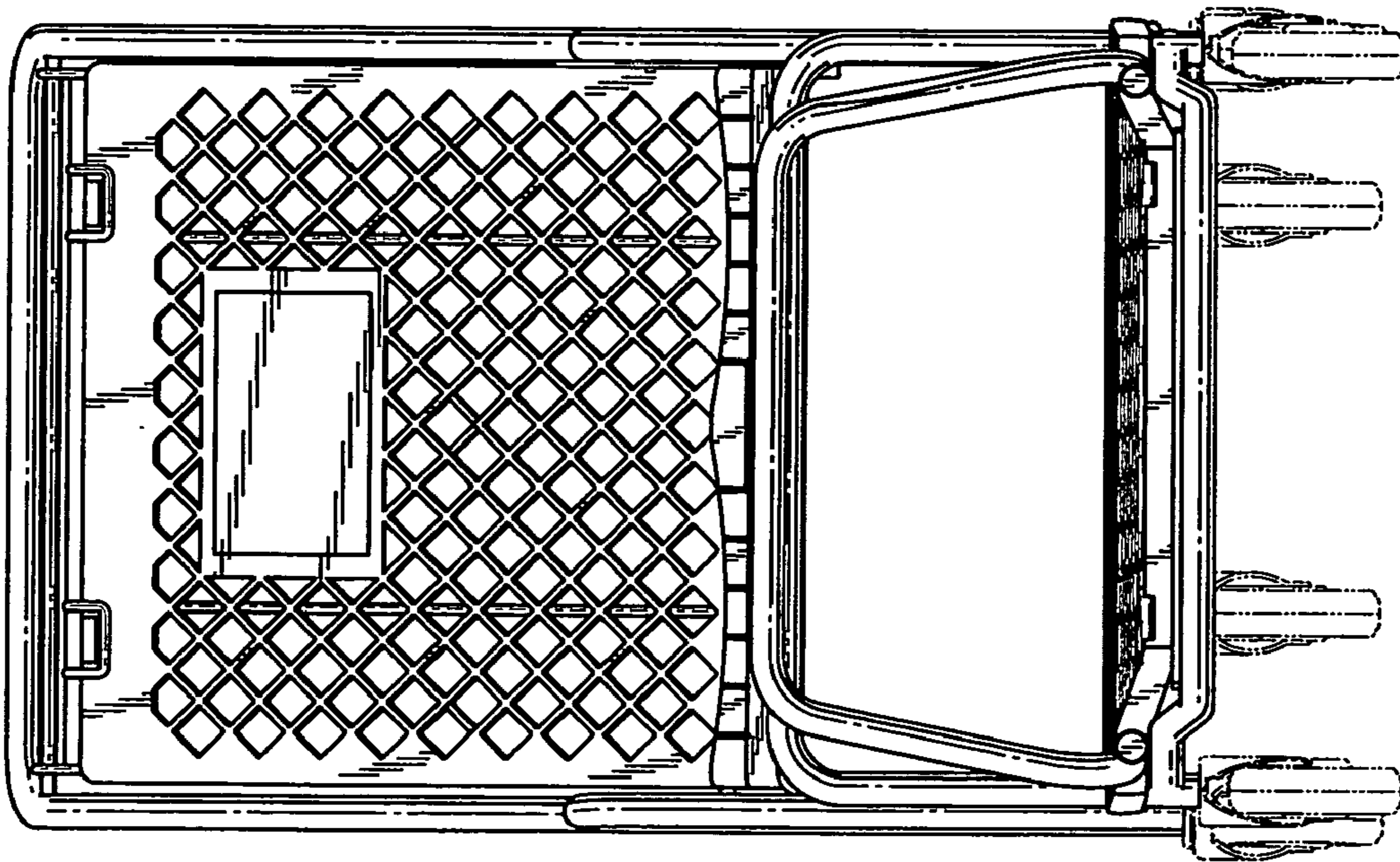


Fig. 5