

US00D549917S

(12) **United States Design Patent** (10) **Patent No.:** **US D549,917 S**  
**Kassigkeit** (45) **Date of Patent:** **\*\* Aug. 28, 2007**

(54) **DUMPSTER ENCLOSURE**  
(75) Inventor: **Henry Kassigkeit**, Solon, OH (US)  
(73) Assignee: **Stainless Werks, LLC**, Solon, OH (US)  
(\*\*) Term: **14 Years**  
(21) Appl. No.: **29/261,162**  
(22) Filed: **Jun. 8, 2006**

*Primary Examiner*—Cynthia E. Ramirez  
(74) *Attorney, Agent, or Firm*—Tarolli, Sundheim, Covell & Tummino LLP

(57) **CLAIM**

I claim the ornamental design for a dumpster enclosure, as shown and described.

(51) **LOC (8) Cl.** ..... **09-09**  
(52) **U.S. Cl.** ..... **D34/10**  
(58) **Field of Classification Search** ..... D34/1, D34/10, 11; 220/908; 52/79.5, 64  
See application file for complete search history.

**DESCRIPTION**

FIG. 1 is a perspective view of a dumpster enclosure of the present invention;  
FIG. 2 is a front elevation view of the dumpster enclosure of FIG. 1;  
FIG. 3 is a front elevation view of the dumpster enclosure of FIG. 1;  
FIG. 4 is a right side elevation view of the dumpster enclosure of FIG. 1, the left side elevation view being a mirror image thereof;  
FIG. 5 is a top plan view of the dumpster enclosure of FIG. 1; and,  
FIG. 6 is a bottom plan view of the dumpster enclosure of FIG. 1.  
The broken line showing the support feet are for illustrative purpose only and form no part of the claimed design.

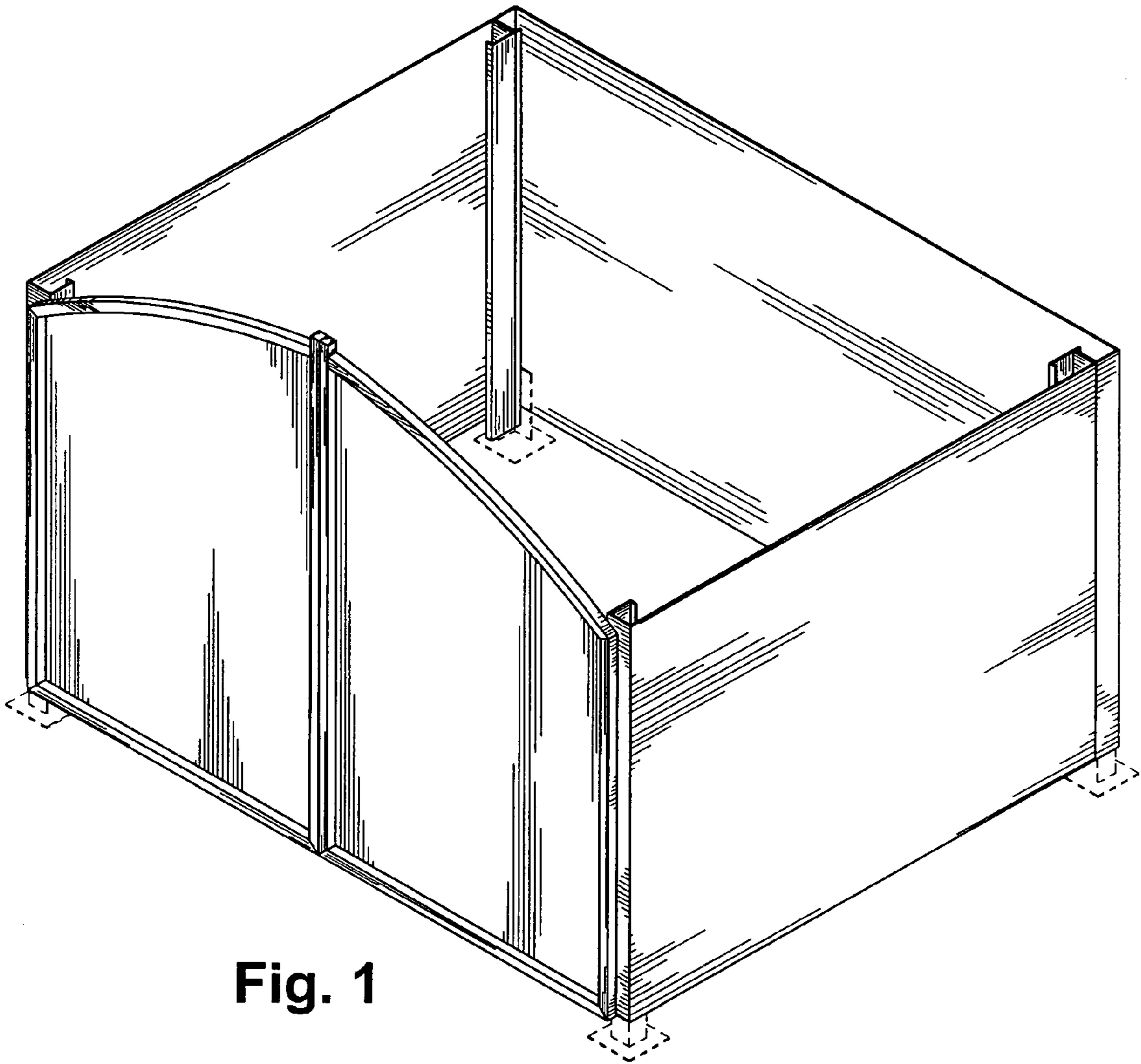
(56) **References Cited**

U.S. PATENT DOCUMENTS

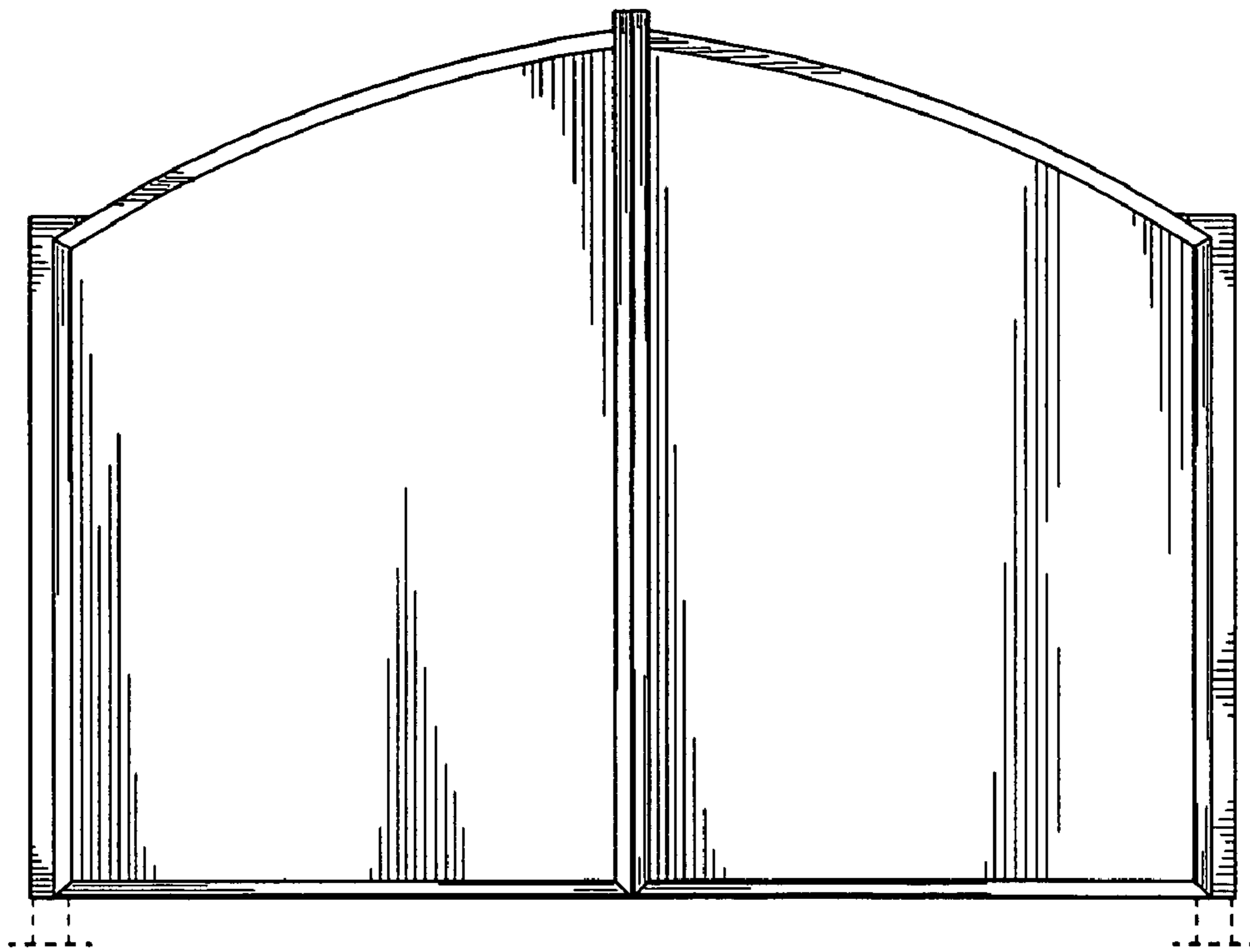
2,482,918 A \* 9/1949 Kump, Jr. .... 52/64  
3,407,941 A \* 10/1968 Schmidt ..... 211/84  
3,924,913 A \* 12/1975 Cooper ..... 312/258  
D258,817 S \* 4/1981 Sundman ..... D34/38  
D297,378 S \* 8/1988 Briscoe ..... D34/11  
5,029,724 A \* 7/1991 Serio ..... 220/322  
5,575,119 A \* 11/1996 Wolfowitz ..... 52/79.1  
5,755,351 A \* 5/1998 Kruzick ..... 220/812  
6,625,940 B2 \* 9/2003 Sanger ..... 52/125.4  
D507,089 S \* 7/2005 Enayati et al. .... D34/1  
6,978,576 B2 \* 12/2005 Shirk ..... 49/57  
7,178,297 B2 \* 2/2007 Seavy ..... 52/271

\* cited by examiner

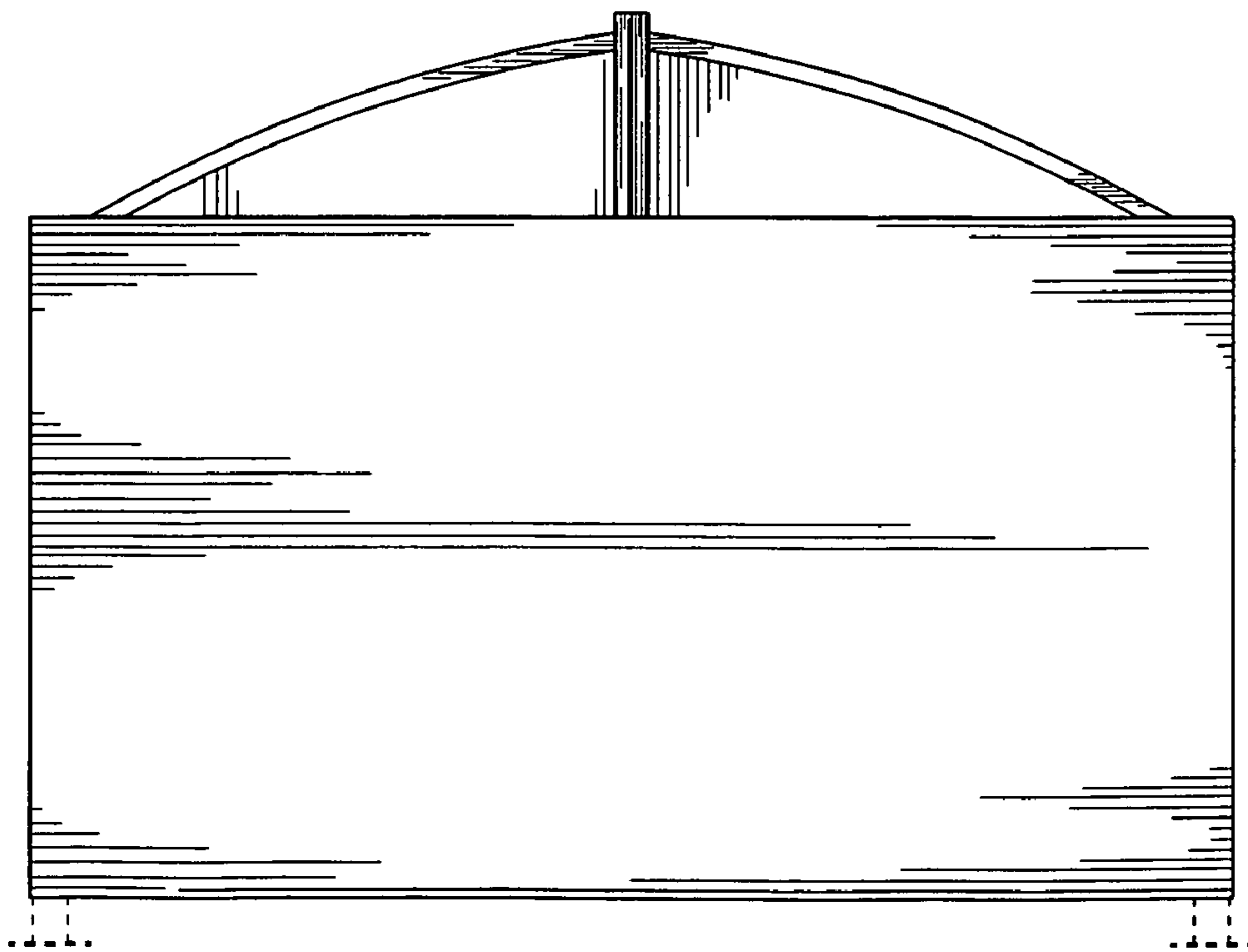
**1 Claim, 4 Drawing Sheets**



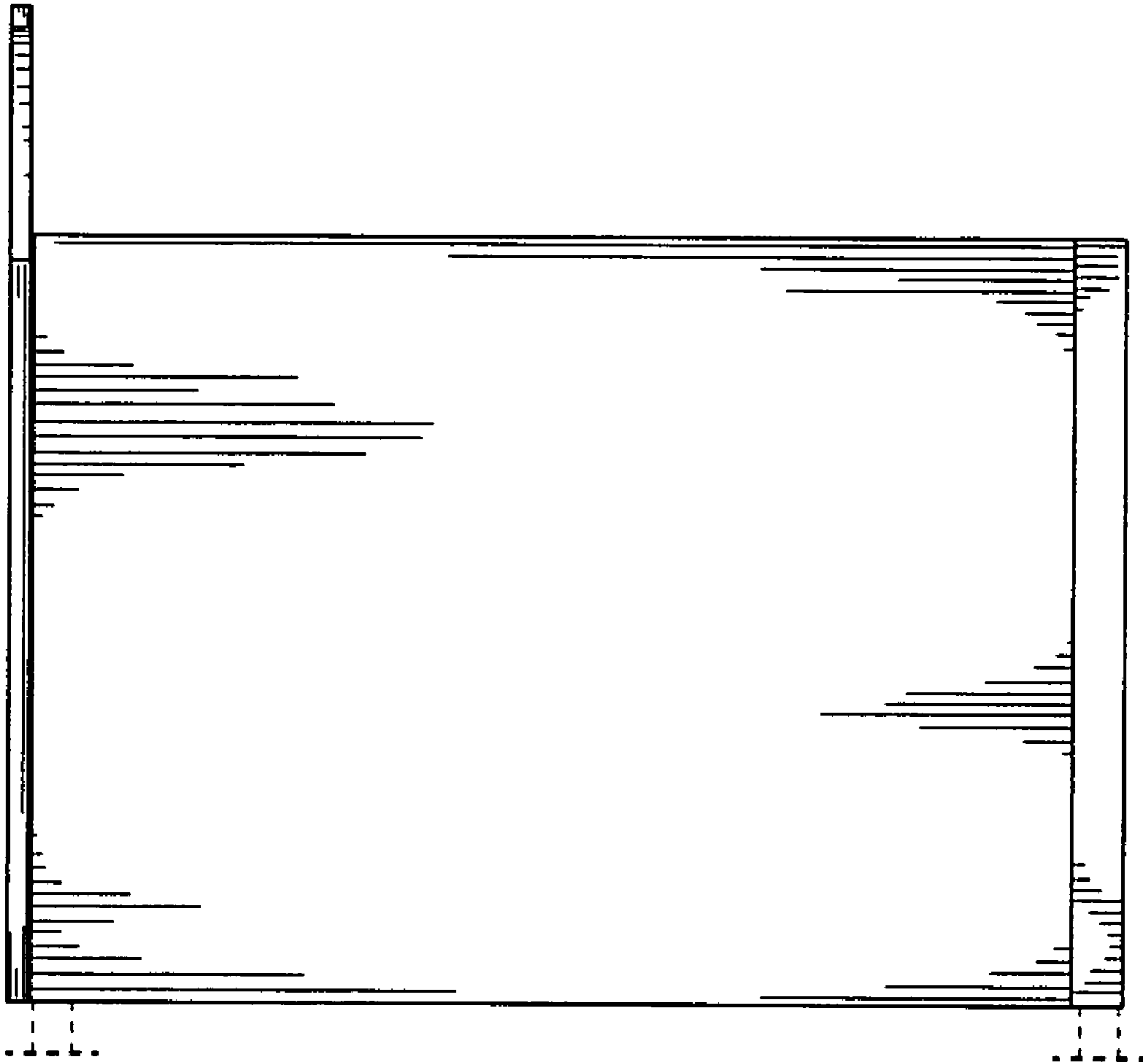
**Fig. 1**



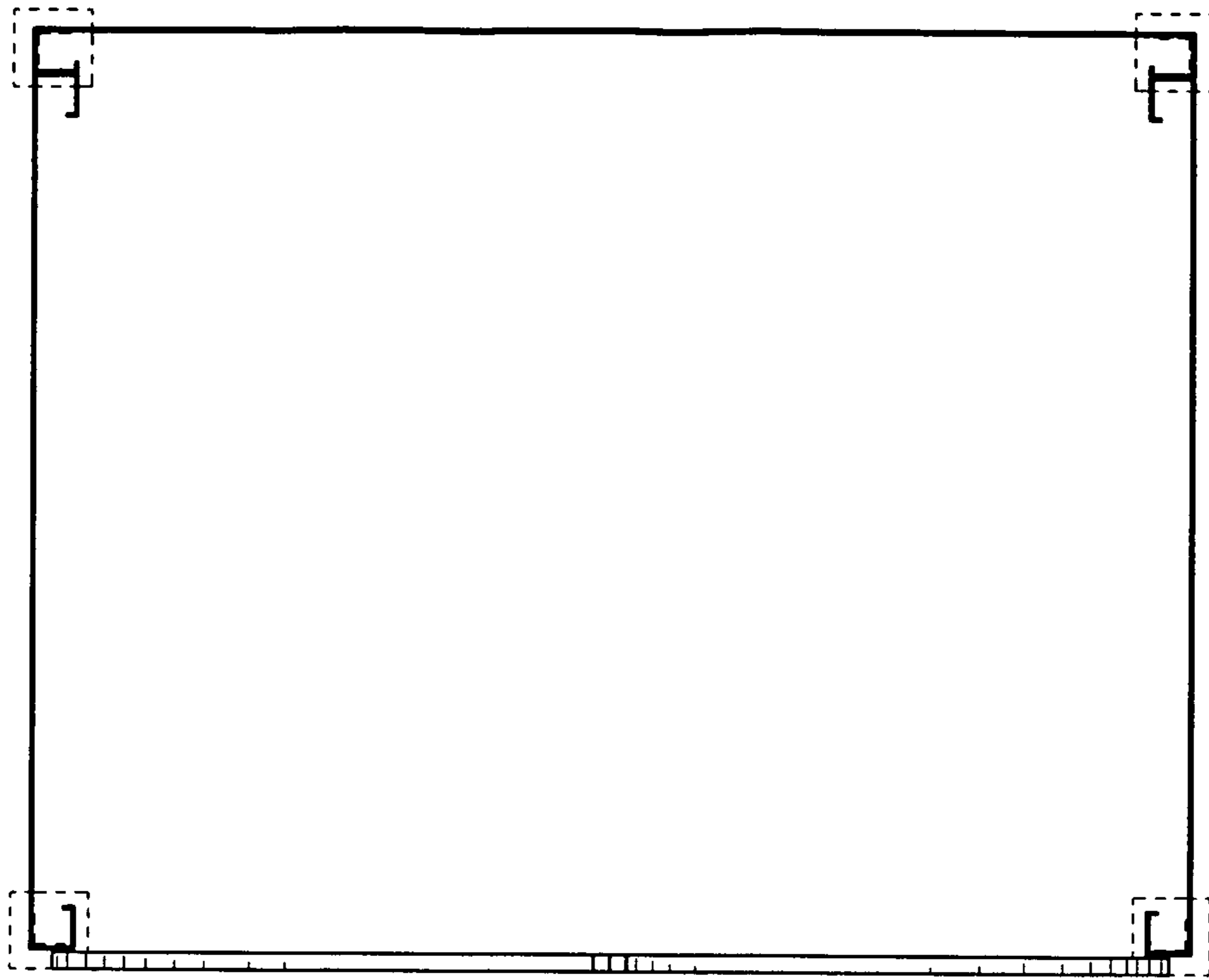
**Fig. 2**



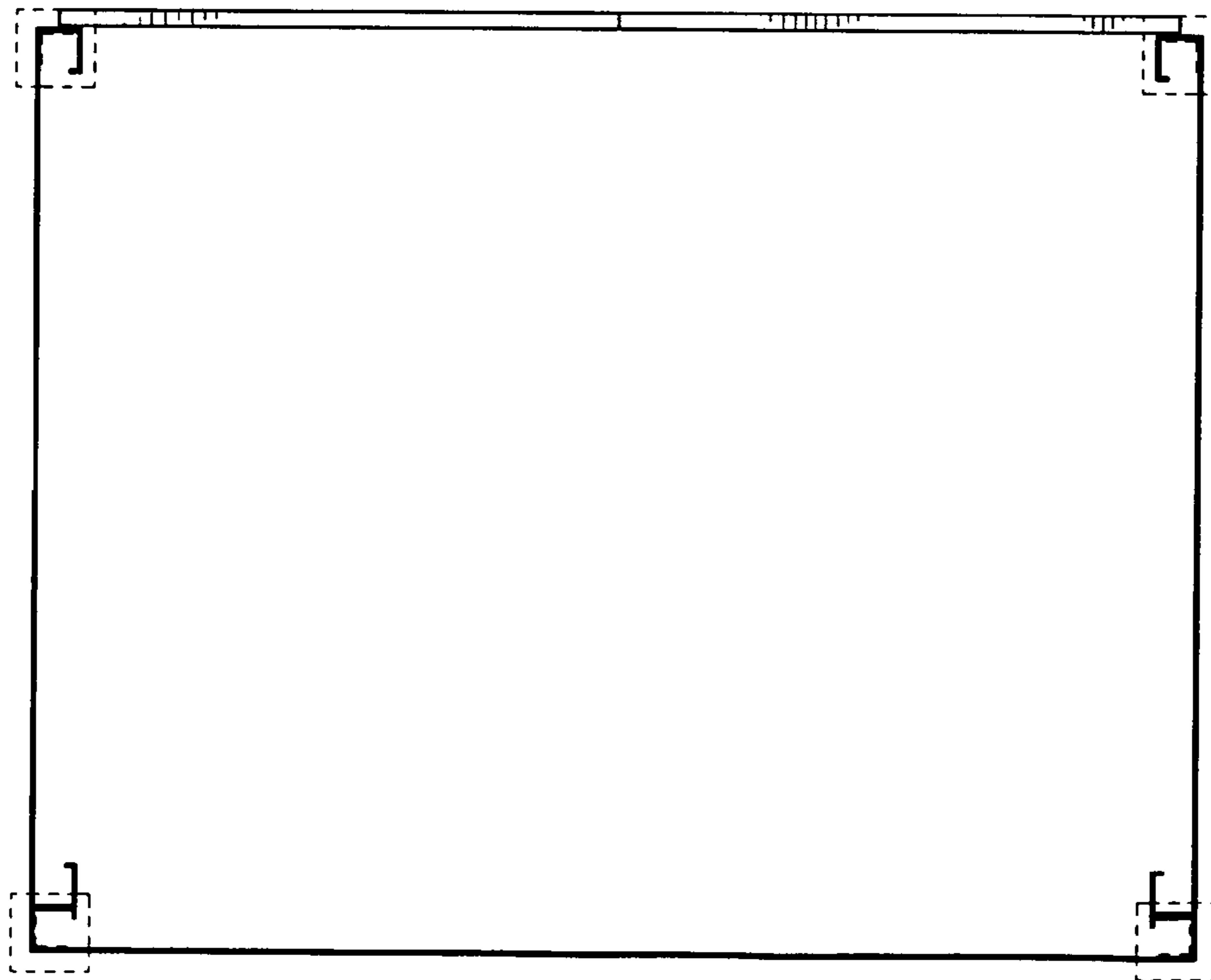
**Fig. 3**



**Fig. 4**



**Fig. 5**



**Fig. 6**