



US00D549914S

(12) **United States Design Patent**
Eskandari

(10) **Patent No.:** **US D549,914 S**

(45) **Date of Patent:** **** Aug. 28, 2007**

(54) **COMBINED DISH RACK AND DRAIN THEREFOR**

(76) Inventor: **Naghmeh Eskandari**, 11515
Springwood Ct., Riverside, CA (US)
92505

(**) Term: **14 Years**

(21) Appl. No.: **29/215,984**

(22) Filed: **Oct. 28, 2004**

(51) **LOC (8) Cl.** **07-05**

(52) **U.S. Cl.** **D32/55**

(58) **Field of Classification Search** D32/55-57;
D6/462; 4/637, 656; 211/41; 220/571-2,
220/487-8

See application file for complete search history.

(56) **References Cited**

U.S. PATENT DOCUMENTS

4,054,537	A *	10/1977	Wright et al.	423/331
D271,339	S *	11/1983	Lee	D32/55
D286,497	S *	11/1986	Daenen et al.	D7/388
5,158,184	A *	10/1992	Craft et al.	211/41.3
D353,921	S *	12/1994	Lippisch et al.	D32/55
D365,182	S *	12/1995	Zehring	D32/55
D468,507	S *	1/2003	McGee	D34/7

* cited by examiner

Primary Examiner—Pamela J. Burgess

(74) *Attorney, Agent, or Firm*—Robert E Malm

(57) **CLAIM**

The ornamental design for a combined dish rack and drain therefor, as shown and described.

DESCRIPTION

FIG. 1 is a perspective view of a dish rack shown separately from the drain for clarity of disclosure;

FIG. 2 is a perspective view of a drain therefor;

FIG. 3 is a perspective view of a combined dish rack and drain showing my new design;

FIG. 4 is a perspective view of a second embodiment of a dish rack, shown separately from the drain for clarity of disclosure;

FIG. 5 is a perspective view of a drain therefor;

FIG. 6 is a perspective view of a combined dish rack and drain showing my new design;

FIG. 7 is a perspective view of a third embodiment of a dish rack shown separately from the drain for clarity of disclosure;

FIG. 8 is a perspective view of a drain therefor;

FIG. 9 is a perspective view of a combined dish rack and drain showing my new design;

FIG. 10 is a perspective view of a fourth embodiment of a dish rack shown separately from the drain for clarity of disclosure;

FIG. 11 is a perspective view of a drain therefor;

FIG. 12 is a perspective view of a combined dish rack and drain showing my new design;

FIG. 13 is a perspective view of a fifth embodiment of a dish rack shown separately from the drain for clarity of disclosure;

FIG. 14 is a perspective view of a drain therefor;

FIG. 15 is a perspective view of a combined dish rack and drain showing my new design;

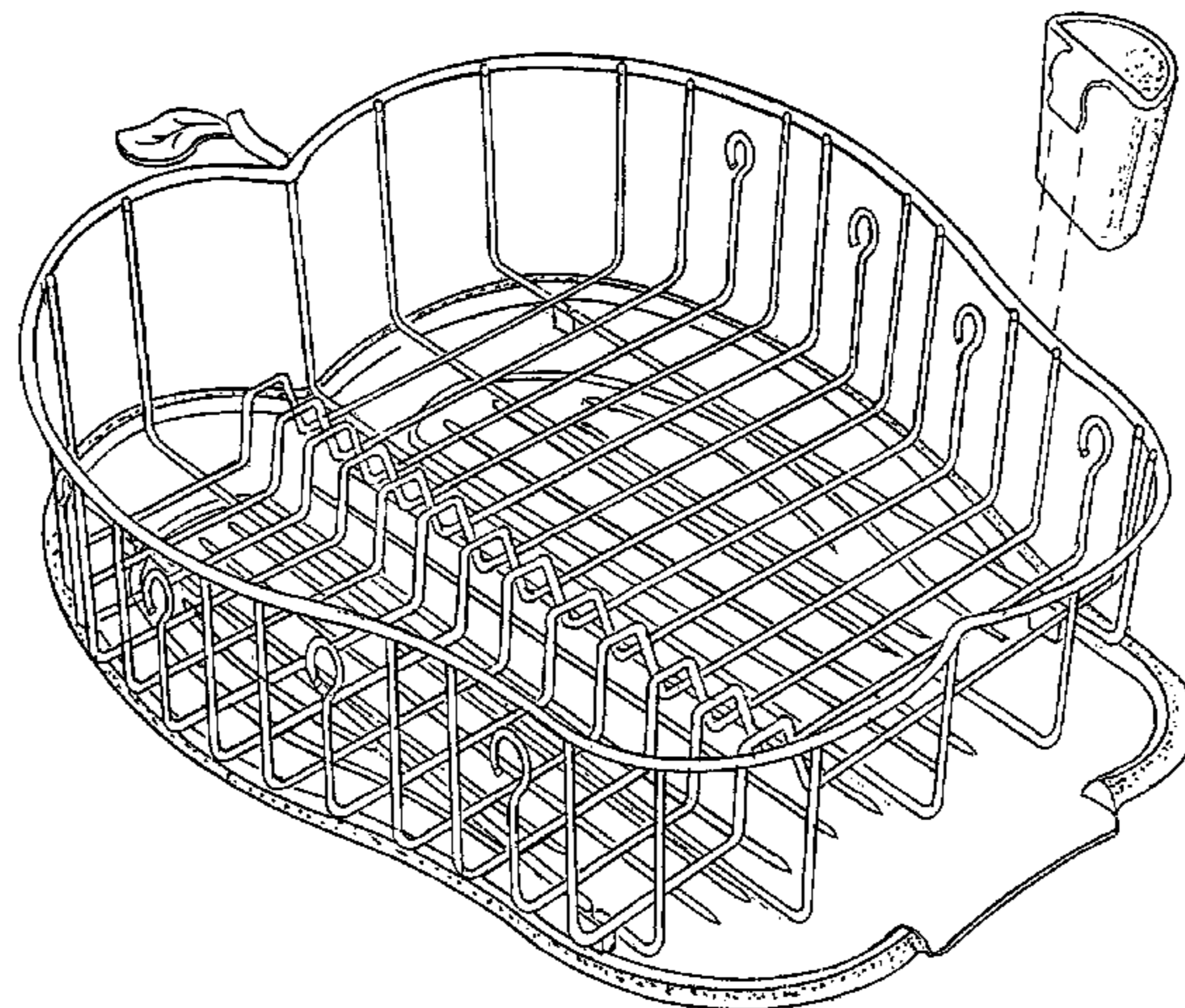
FIG. 16 is a perspective view of a sixth embodiment of a dish rack shown separately from the drain for clarity of disclosure;

FIG. 17 is a perspective view of a drain therefor; and,

FIG. 18 is a perspective view of a combined dish rack and drain showing my new design.

It is understood that the utensil holder is shown broken away from the dish rack for clarity of disclosure.

1 Claim, 18 Drawing Sheets



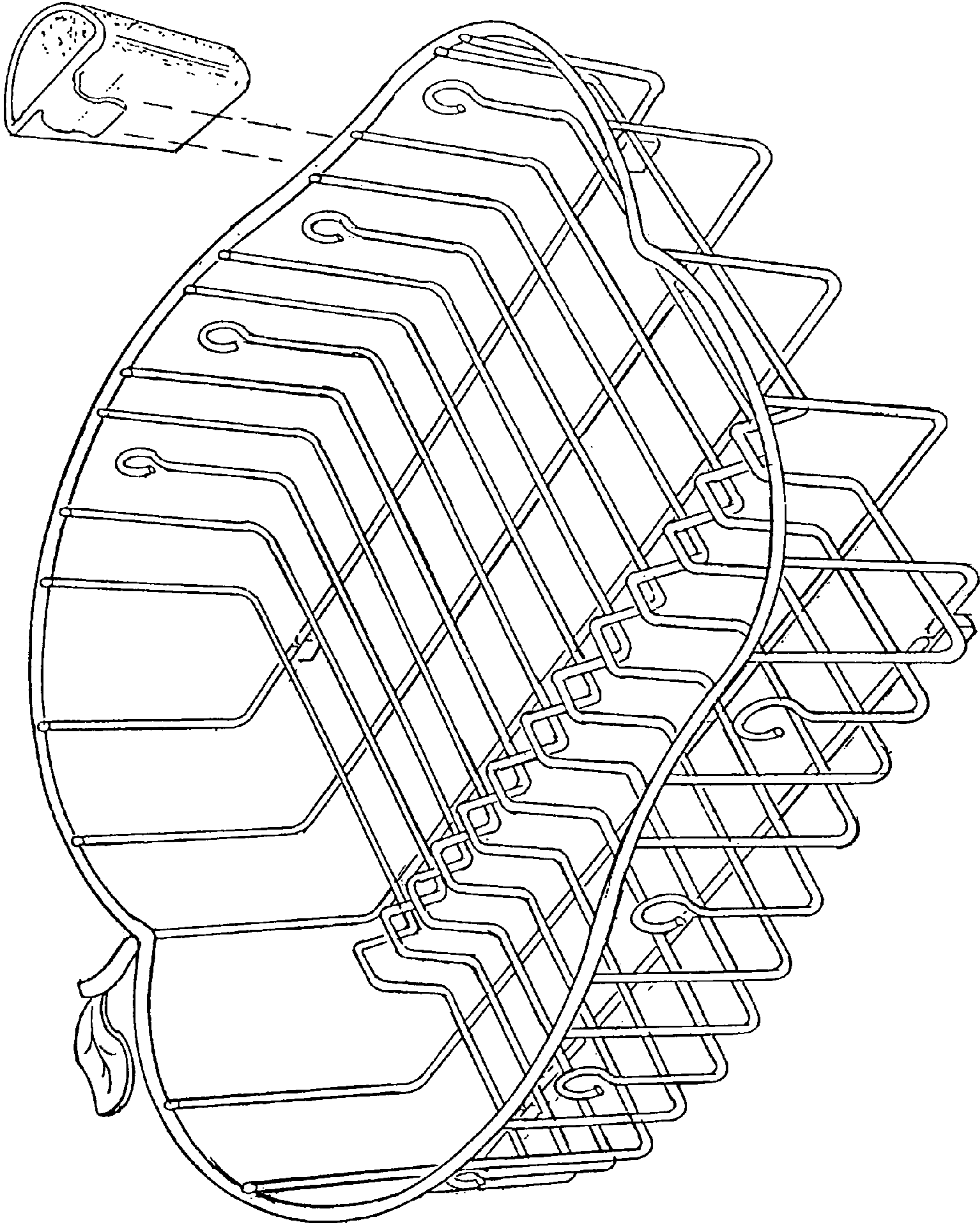


FIG. 1

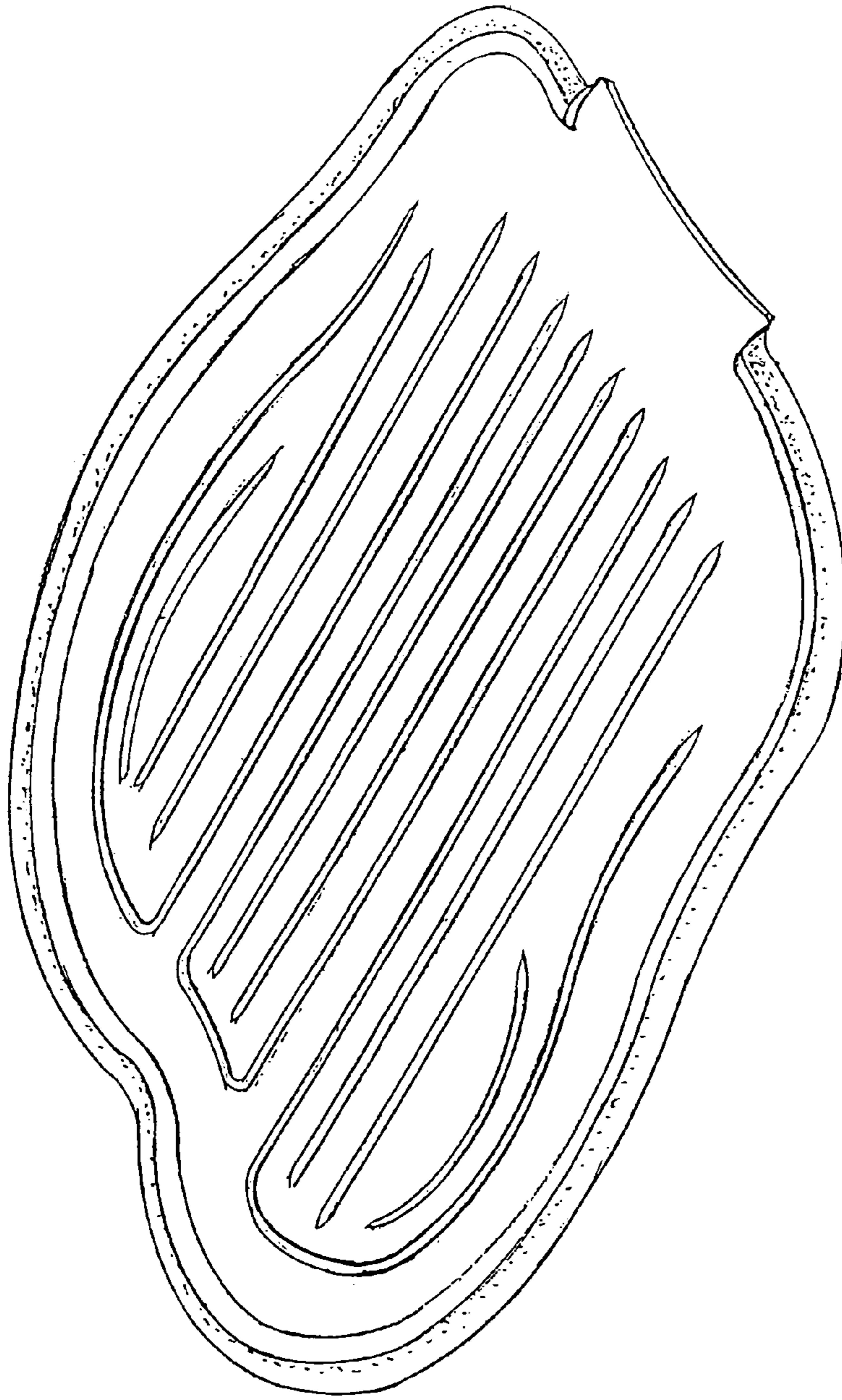


FIG. 2

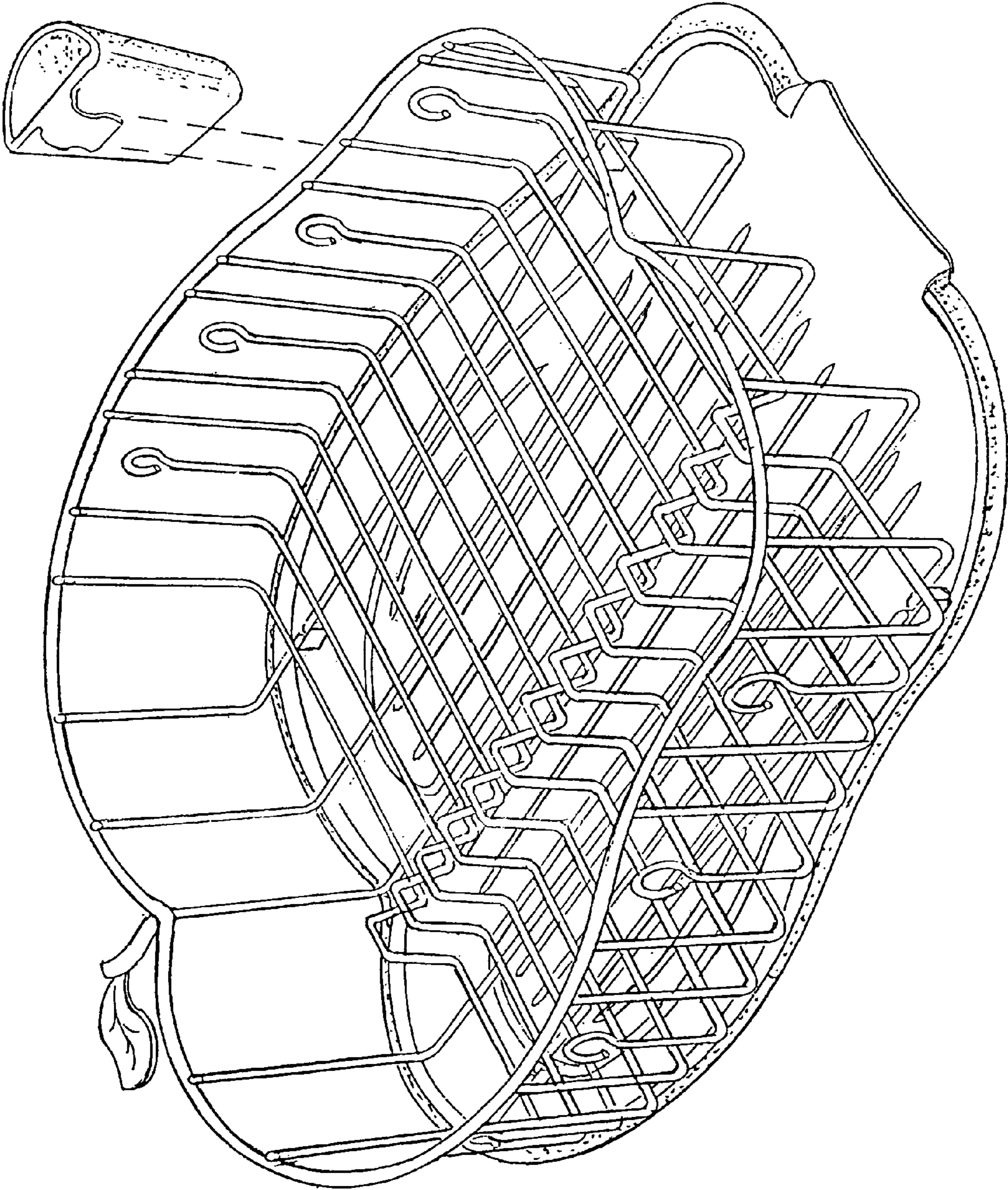


FIG. 3

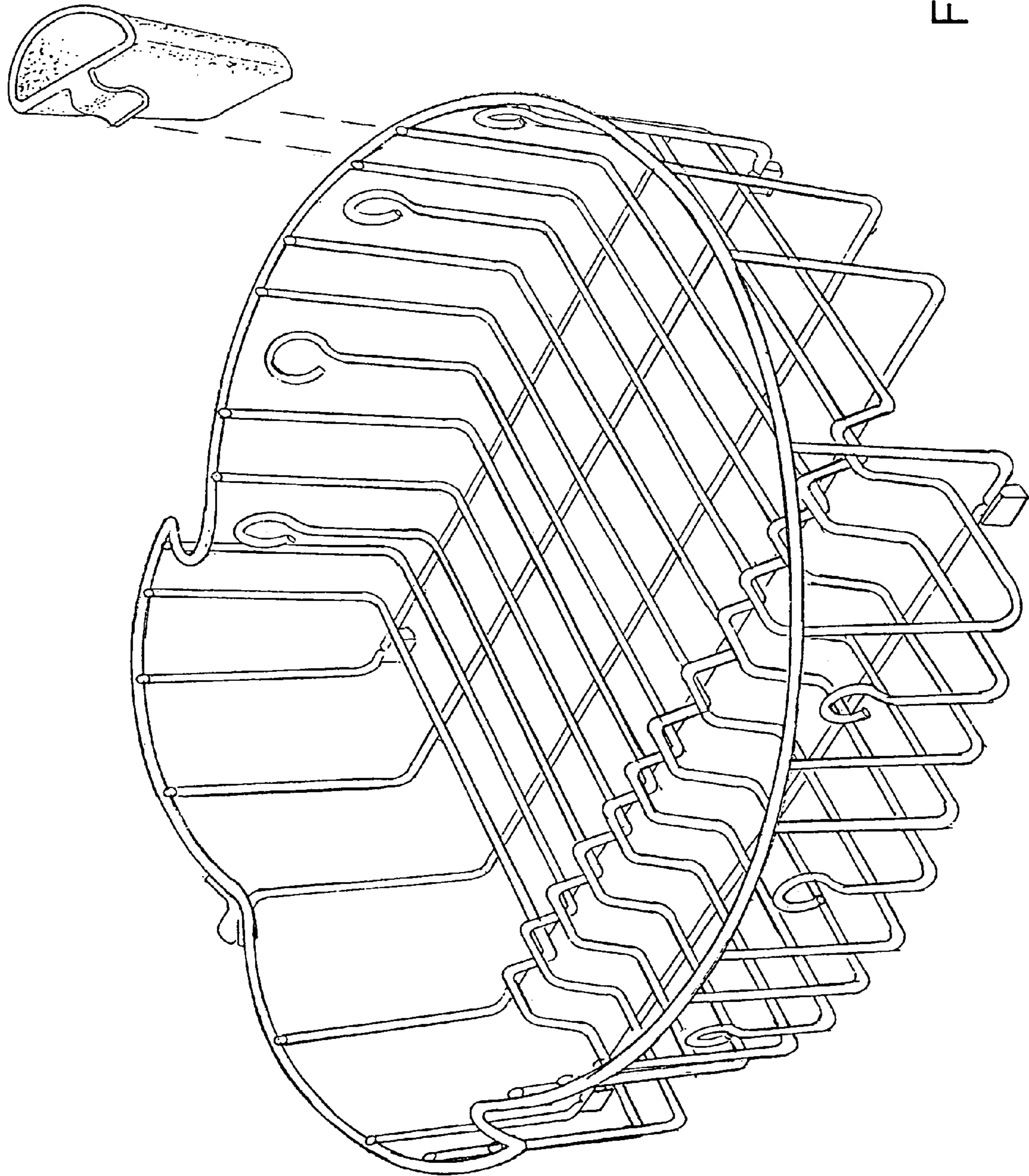


FIG. 4

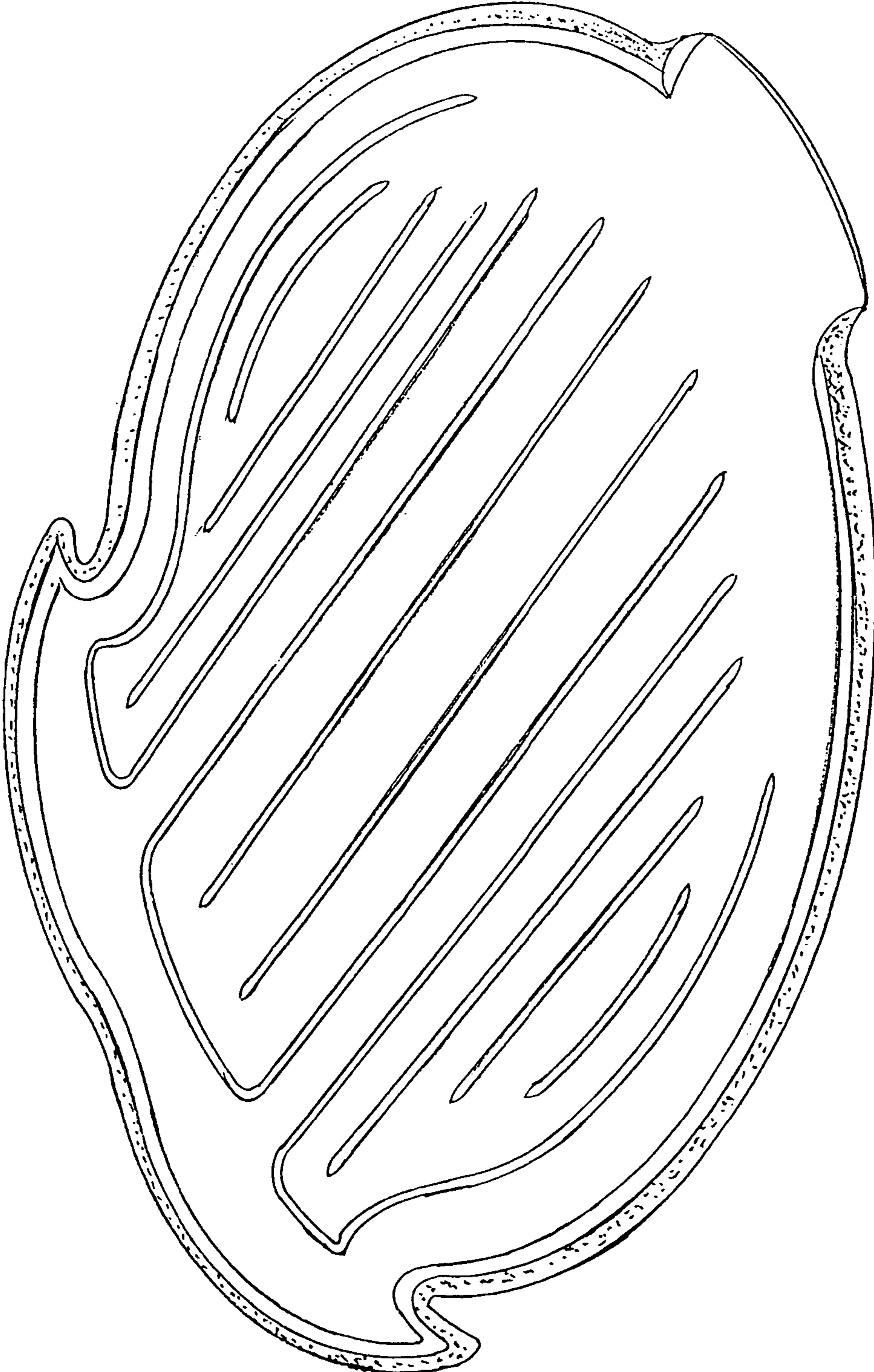


FIG. 5

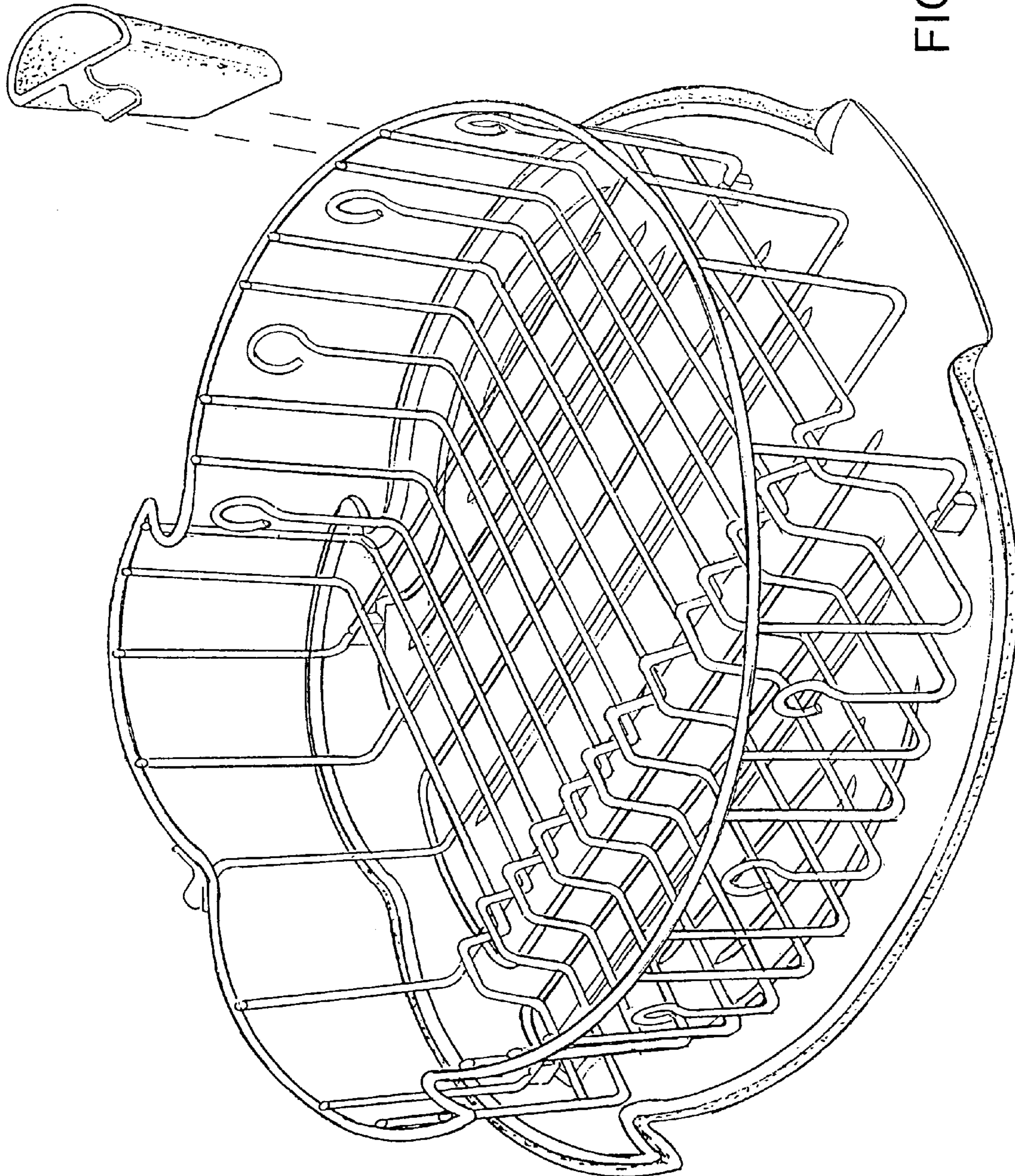


FIG. 6

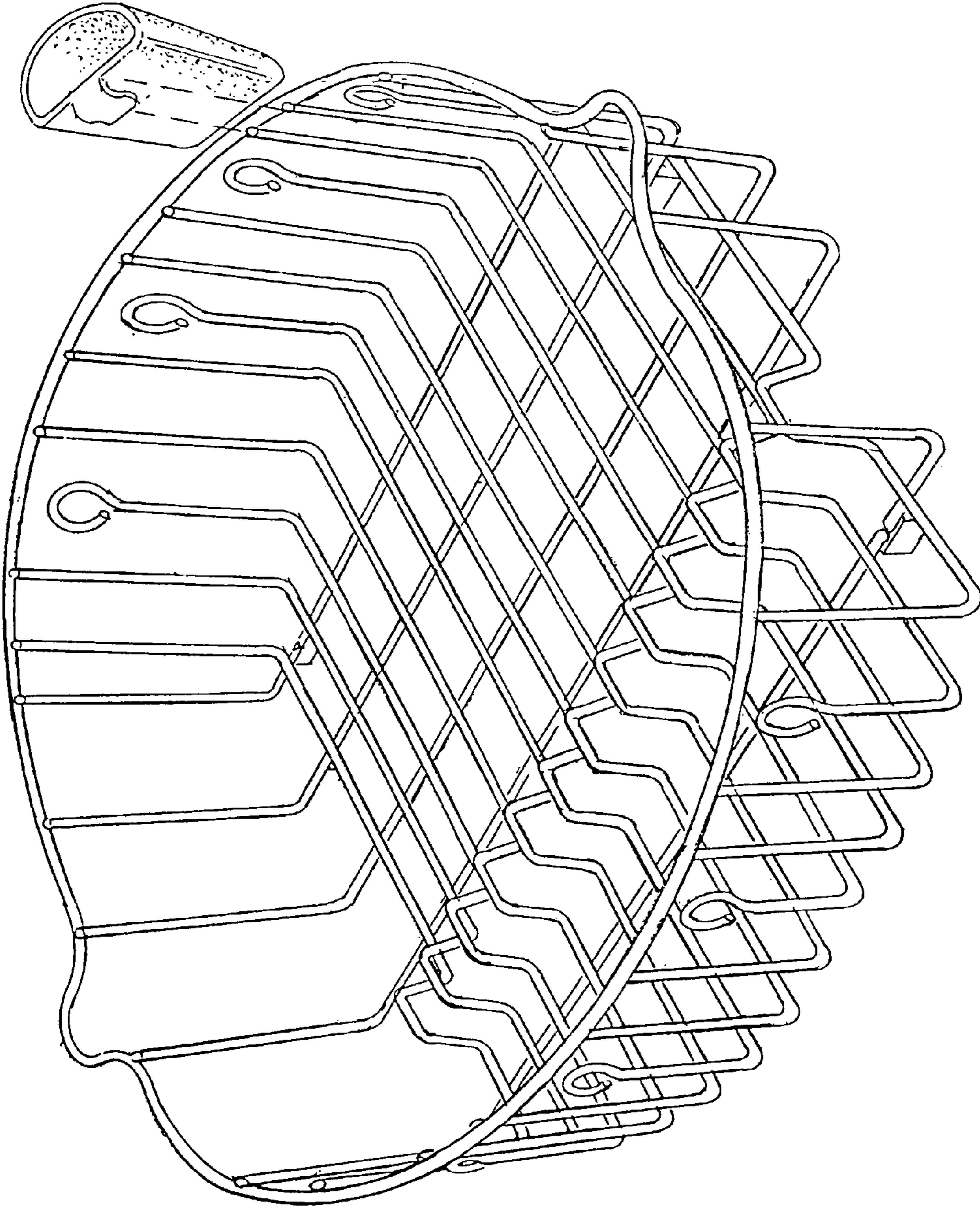


FIG. 7

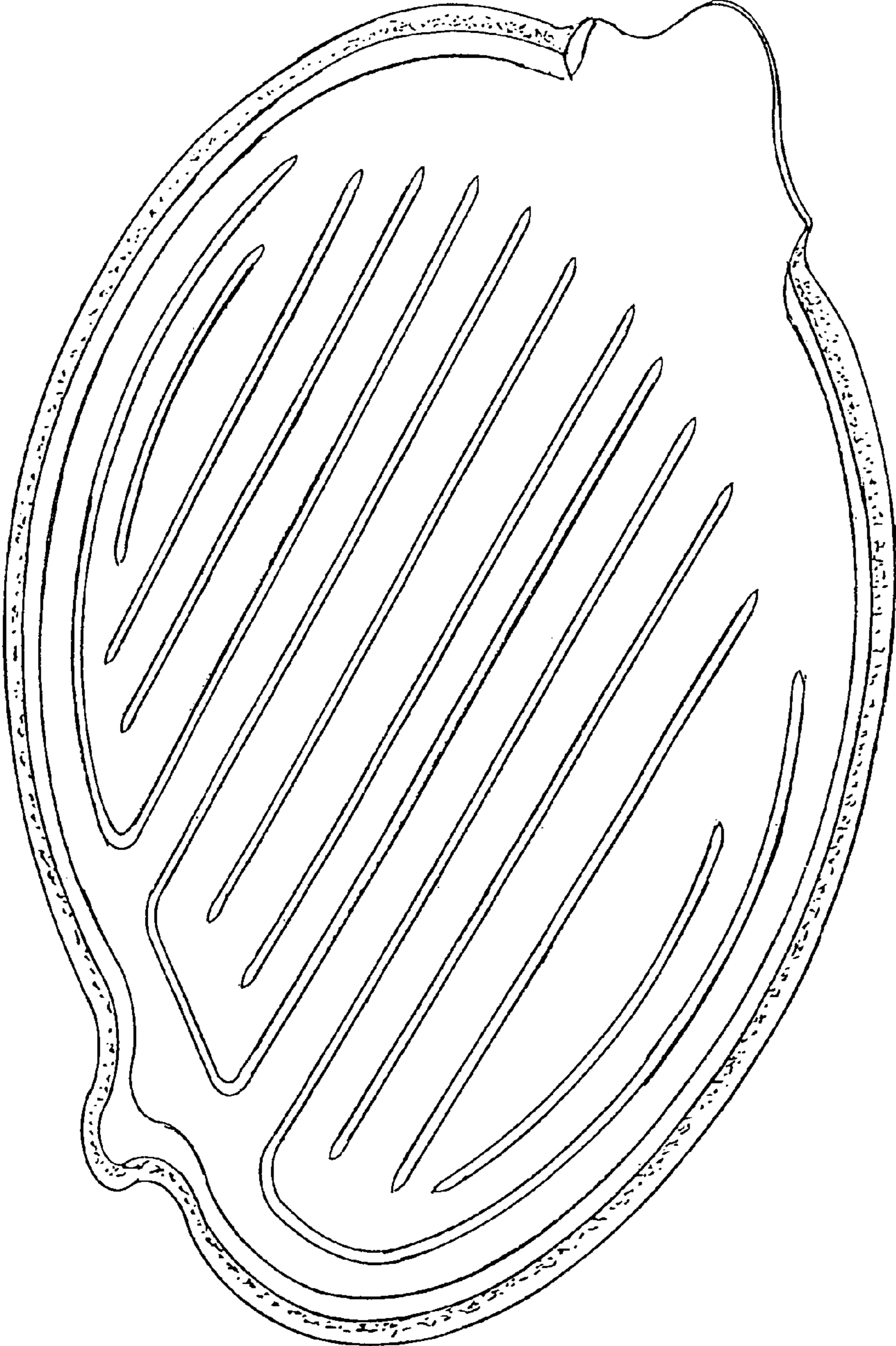


FIG. 8

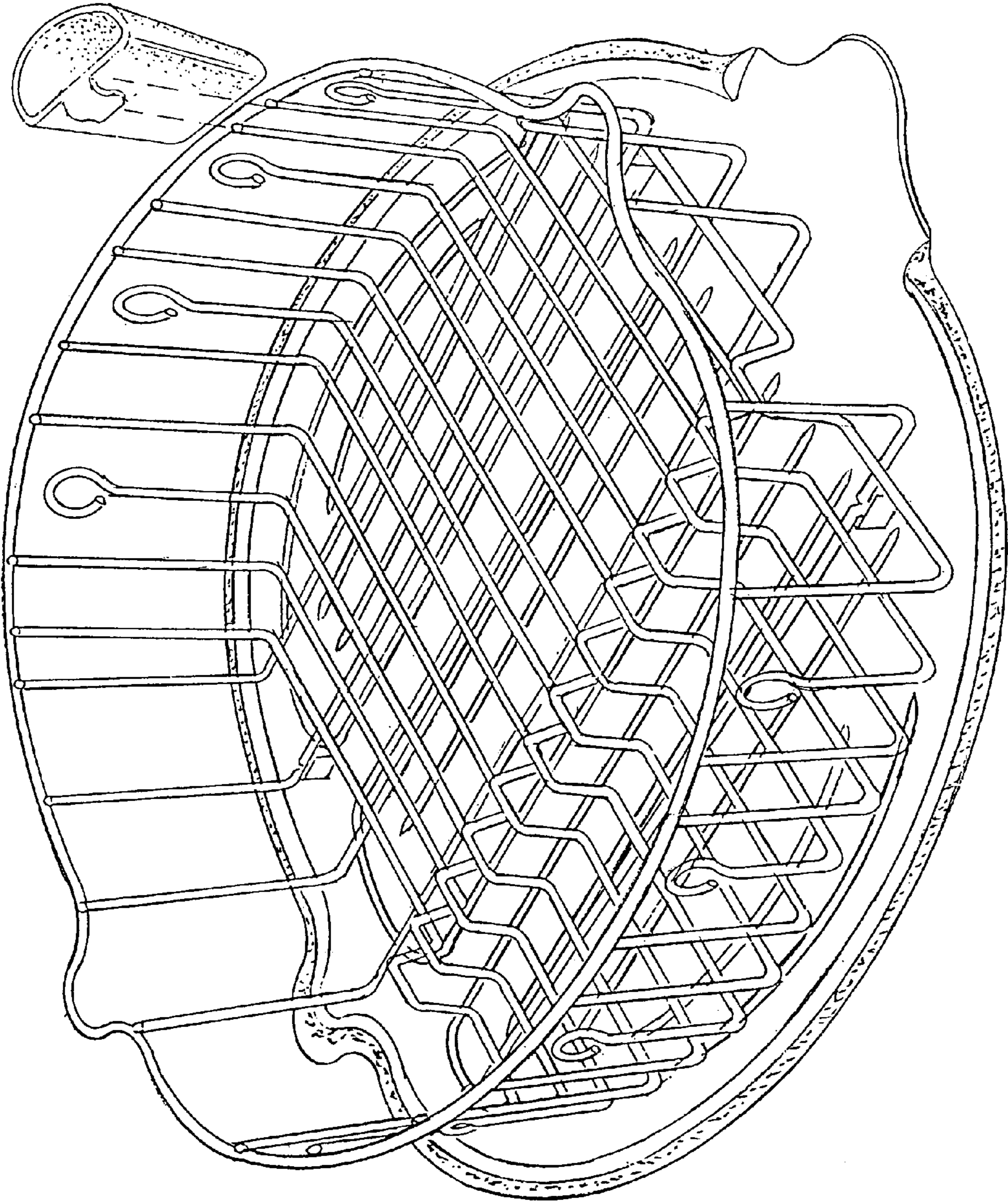
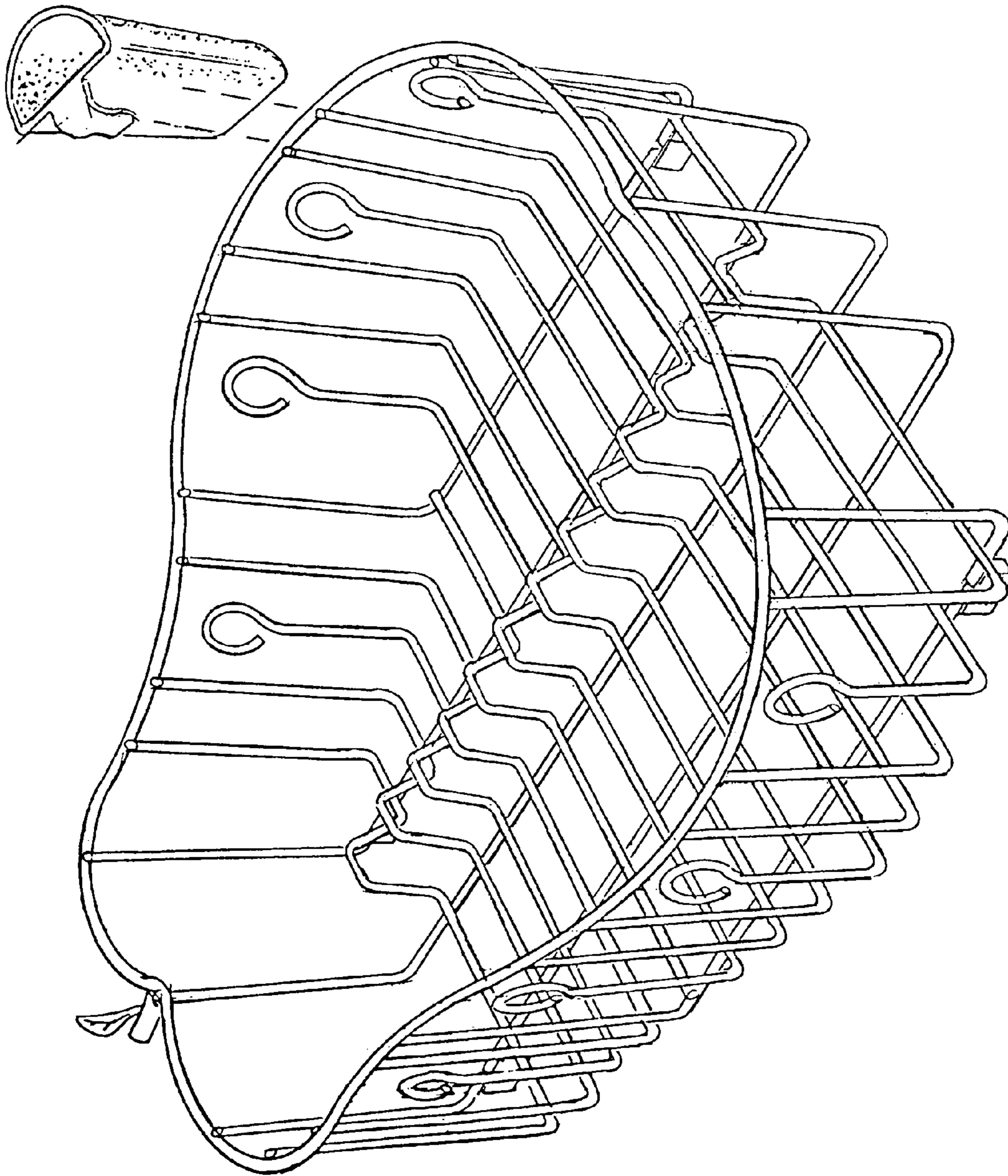


FIG. 9

FIG. 10



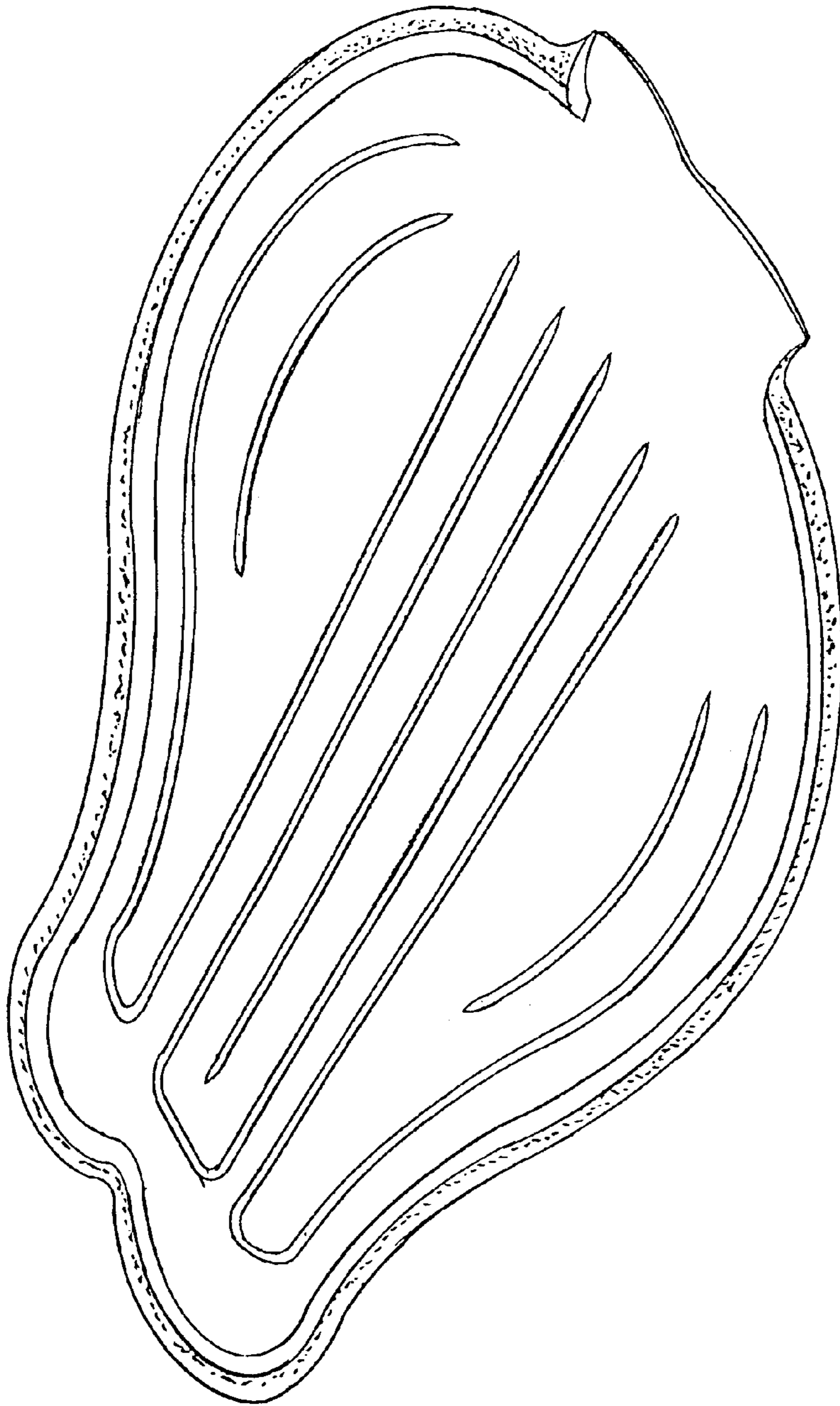


FIG. 11

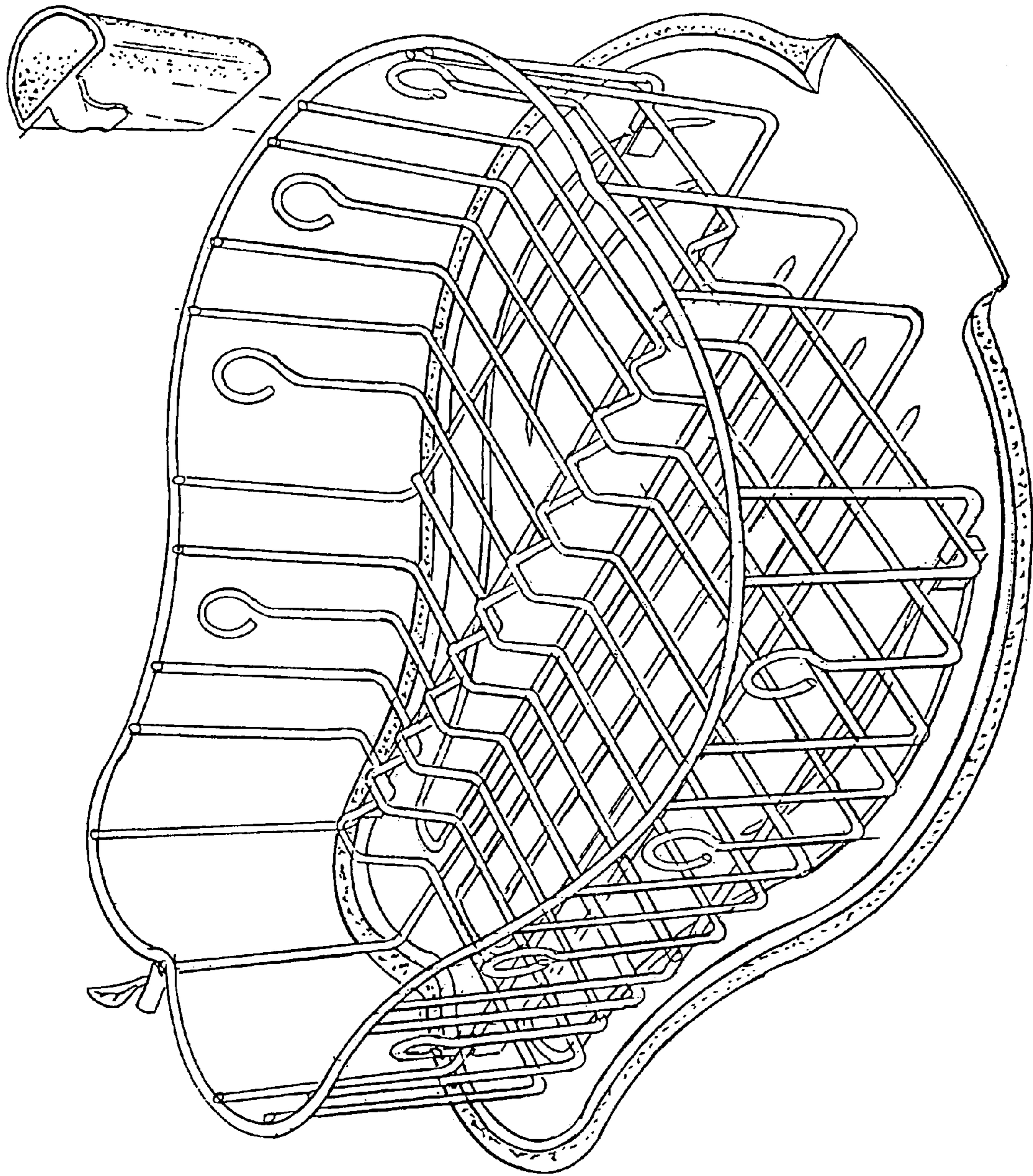
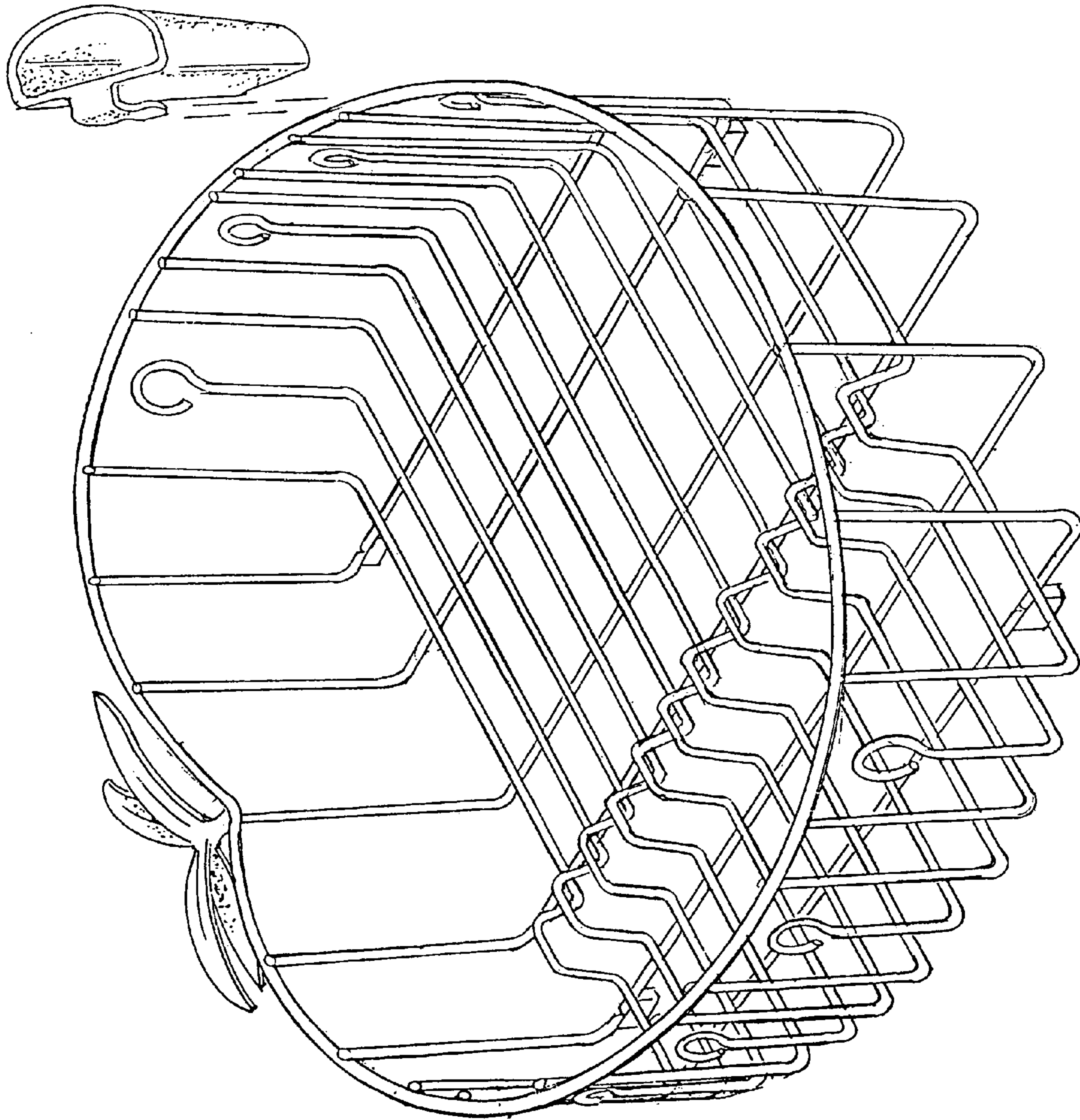


FIG. 12

FIG. 13



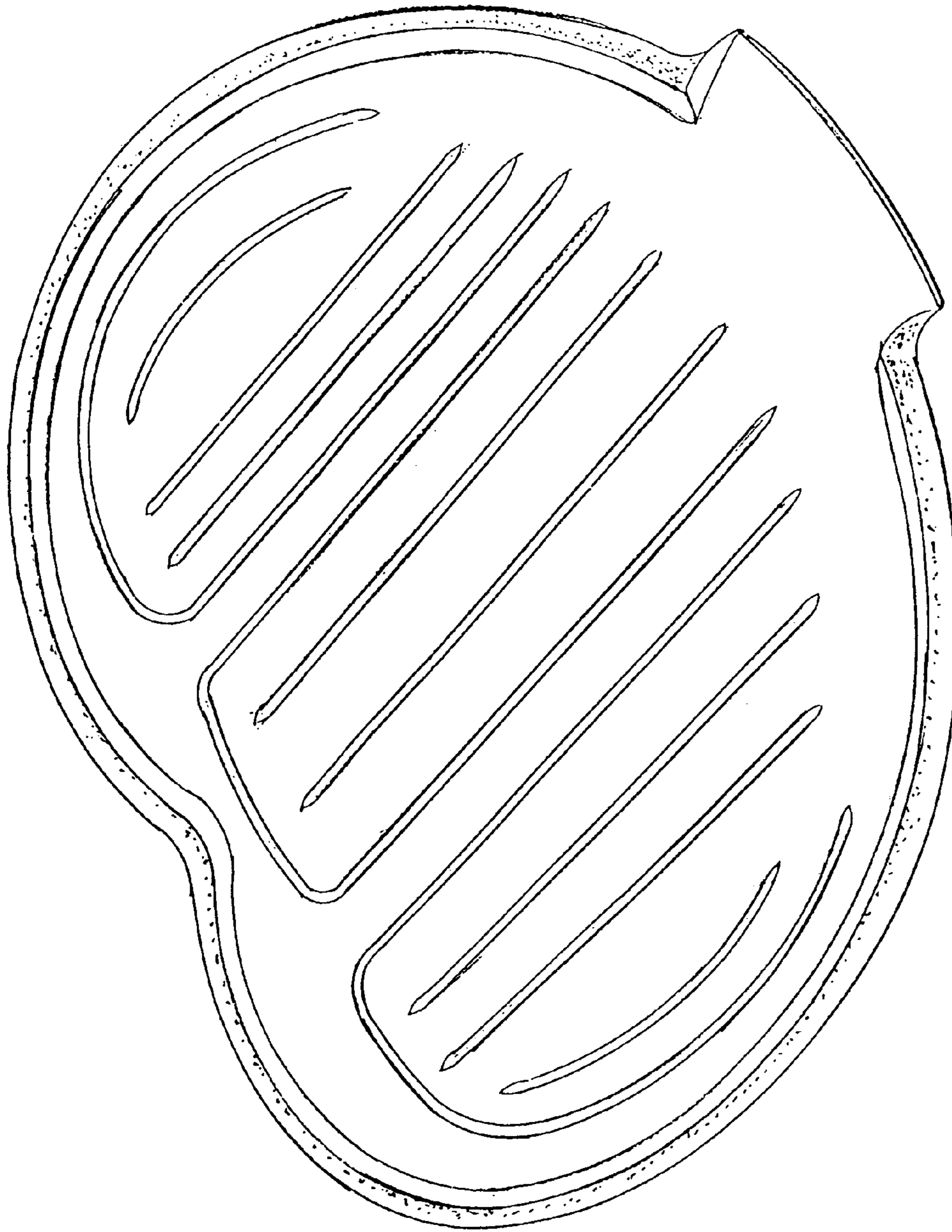


FIG. 14

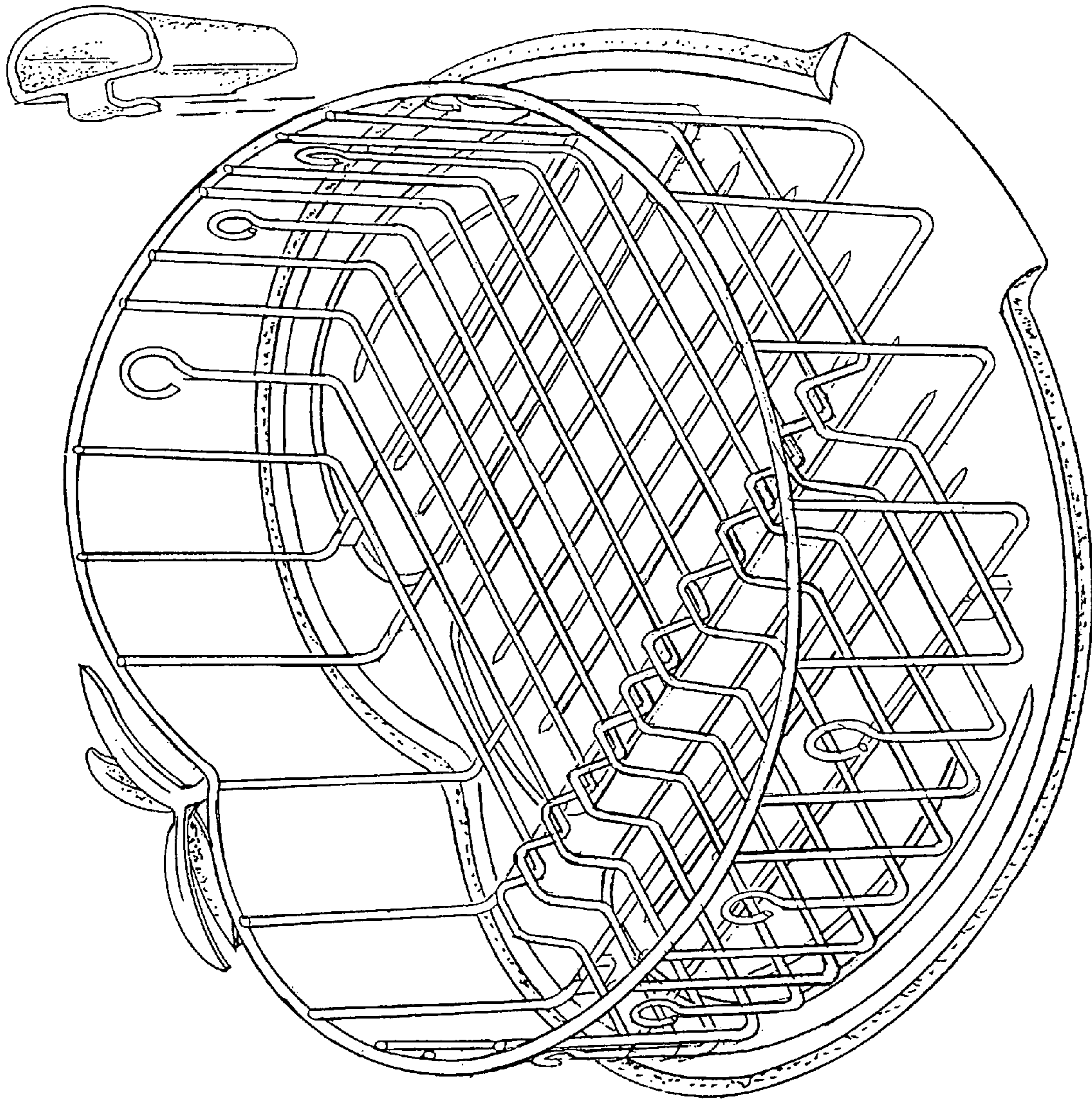
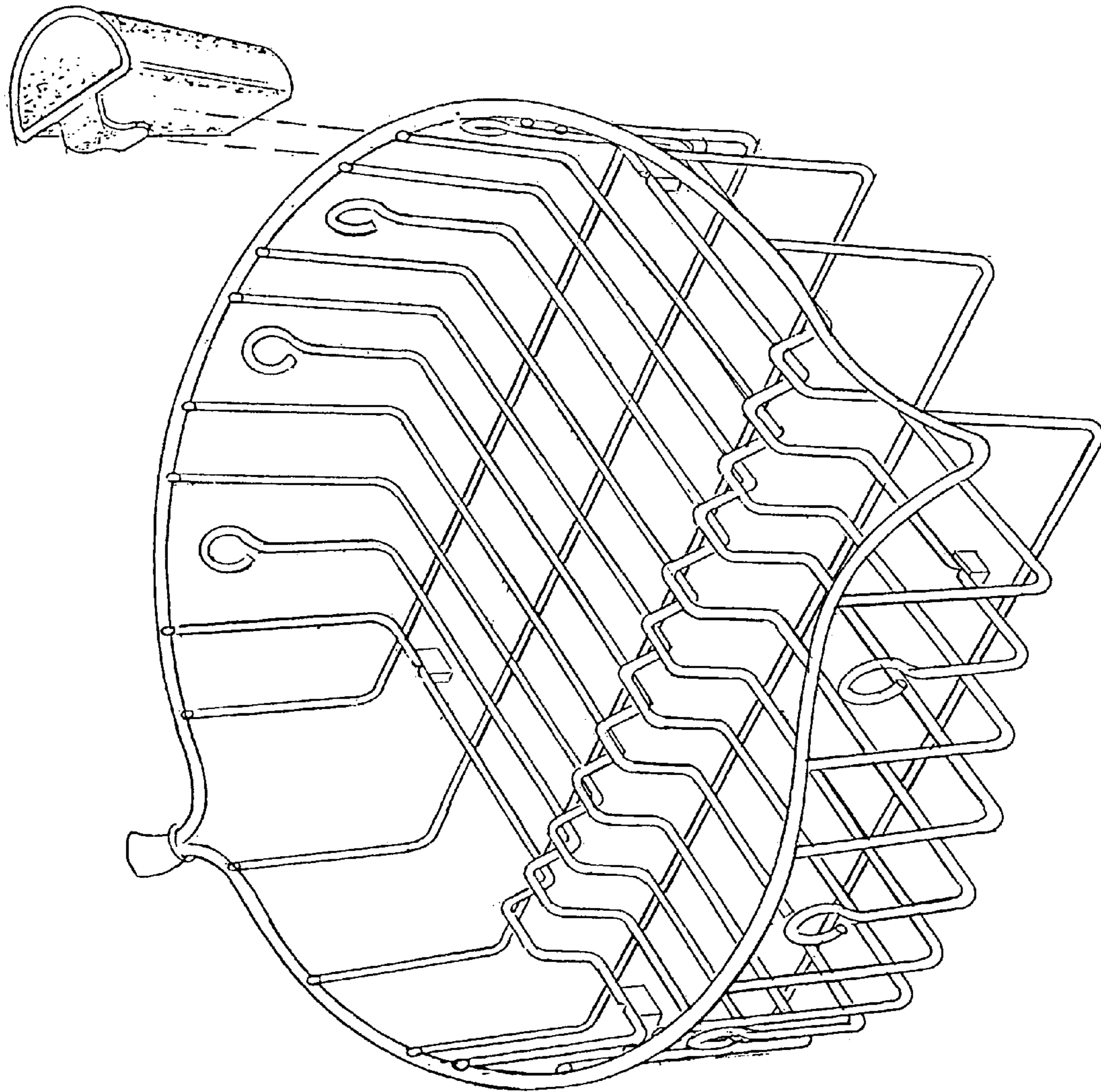


FIG. 15

FIG. 16



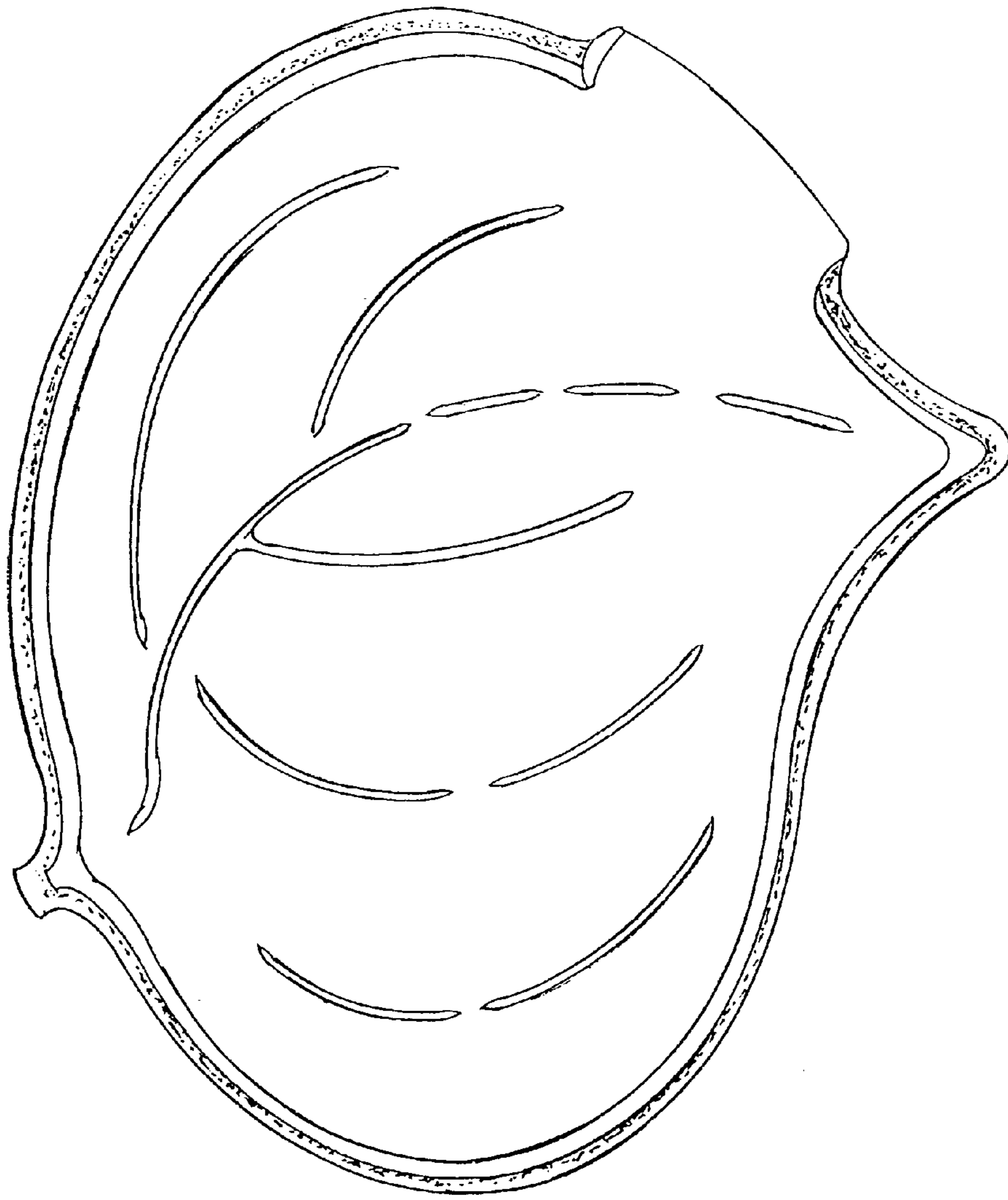


FIG. 17

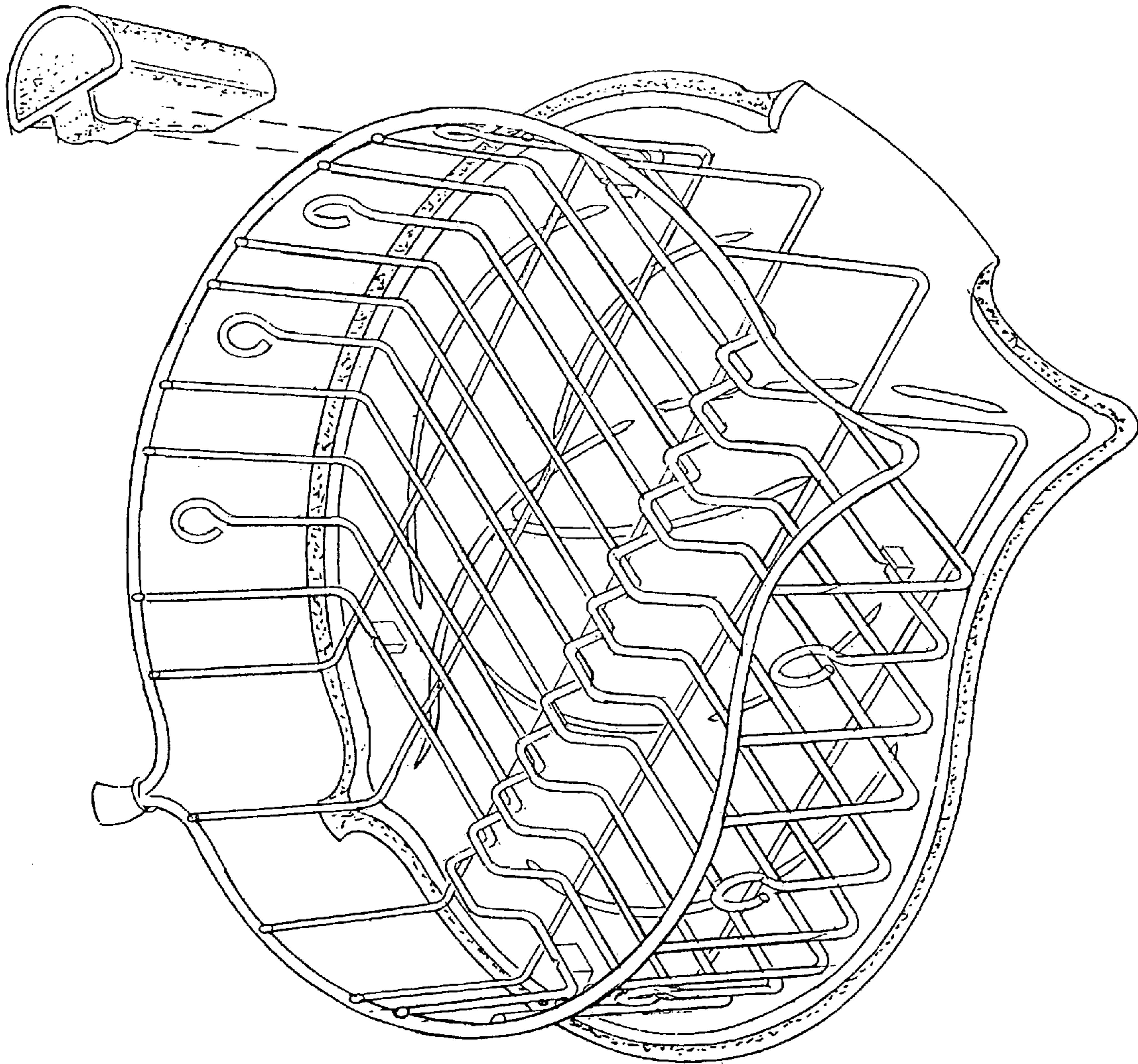


FIG. 18