



US00D549913S

(12) **United States Design Patent**
Bergman

(10) **Patent No.:** **US D549,913 S**

(45) **Date of Patent:** **** Aug. 28, 2007**

(54) **CONTAINER LINER**

(75) Inventor: **Mark W. Bergman**, Minnetonka, MN
(US)

(73) Assignee: **Bercom International, LLC**,
Chanhausen, MN (US)

(**) Term: **14 Years**

(21) Appl. No.: **29/228,846**

(22) Filed: **Apr. 29, 2005**

(51) **LOC (8) Cl.** **07-07**

(52) **U.S. Cl.** **D32/53**

(58) **Field of Classification Search** D32/53,
D32/53.1, 54; D28/61; 220/904, 763, 765,
220/23.87; 15/160-262, 264; 206/514
See application file for complete search history.

(56) **References Cited**

U.S. PATENT DOCUMENTS

1,304,415 A	5/1919	Tucker	
1,590,572 A	6/1926	Fredette	
1,734,976 A	11/1929	McClellan	
1,950,505 A	3/1934	Matters	
2,228,536 A	1/1941	Scalph	
2,626,737 A	1/1953	Pitz	
2,709,540 A	5/1955	Kenney	
2,765,969 A	10/1956	Bennington	
3,138,280 A	6/1964	Shafer	
3,139,646 A	7/1964	Vernon	
D202,134 S *	8/1965	Bryan	D32/53.1
3,219,233 A	11/1965	Whiteford	
3,229,820 A	1/1966	Hentzi et al.	
D212,831 S *	11/1968	Koch	D32/53
3,425,012 A	1/1969	Gottinger	
D216,277 S *	12/1969	James	D32/53
3,536,285 A	10/1970	Vaughn	
3,590,416 A	7/1971	Henningsen	
3,595,431 A	7/1971	Bird	
3,602,939 A	9/1971	Schoenholz	

3,682,352 A	8/1972	Douchette
3,729,158 A	4/1973	Nagy
3,828,389 A	8/1974	Heisler
3,940,824 A	3/1976	Gioia et al.

(Continued)

FOREIGN PATENT DOCUMENTS

GB 195523 4/1923

(Continued)

OTHER PUBLICATIONS

Illustration (from SPORTY's website showing a "Painter's Helper" ID#: 1610T) of the paint container manufactured by Aqua-Tainer Co., of Shorewood, Illinois, (Published prior to Apr. 29, 2005).

(Continued)

Primary Examiner—Pamela J. Burgess

(74) *Attorney, Agent, or Firm*—Westman, Champlin & Kelly, P.A.

(57) **CLAIM**

The ornamental design for a container liner, as shown and described.

DESCRIPTION

FIG. 1 is a perspective view of the container liner, as viewed from the top, front, and left side thereof;

FIG. 2 is a top plan view of the container liner of FIG. 1;

FIG. 3 is a front elevational view of the container liner of FIG. 1;

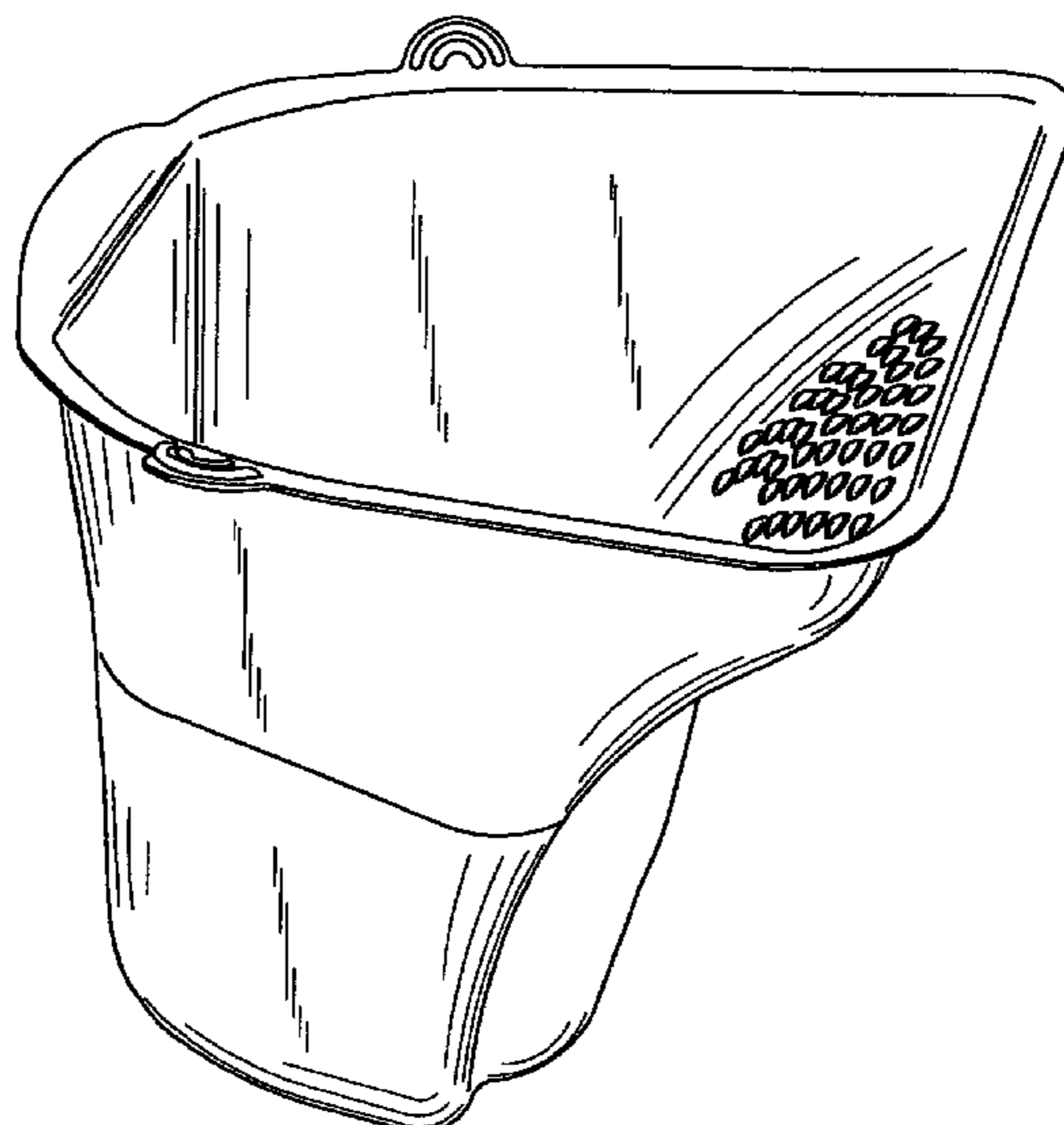
FIG. 4 is a right side view of the container liner of FIG. 1;

FIG. 5 is a left side view of the container liner of FIG. 1;

FIG. 6 is a rear elevational view of the container liner of FIG. 1; and,

FIG. 7 is a bottom plan view of the container liner of FIG. 1.

1 Claim, 7 Drawing Sheets



US D549,913 S

Page 2

U.S. PATENT DOCUMENTS

4,061,242 A 12/1977 Donlon
4,101,046 A 7/1978 Puntillo
4,164,299 A 8/1979 Fuhr
D270,961 S * 10/1983 Hawkins et al. D32/53
4,519,565 A 5/1985 Whitmore
4,627,546 A 12/1986 Carranza 215/100 A
4,860,891 A 8/1989 Biggio
4,895,269 A 1/1990 Cade
4,927,046 A 5/1990 Armstrong
4,928,873 A 5/1990 Johnson
5,011,536 A 4/1991 Boom
5,033,704 A 7/1991 Kerr
5,083,733 A 1/1992 Marino et al.
5,092,481 A 3/1992 Skelton
5,147,067 A 9/1992 Effertz
5,169,025 A 12/1992 Guo
5,222,656 A 6/1993 Carlson
5,320,249 A 6/1994 Strech
D353,241 S * 12/1994 Breen D32/53
5,400,916 A 3/1995 Weber
5,429,262 A 7/1995 Sharkey
5,511,279 A 4/1996 Ippolito
5,548,865 A * 8/1996 Pagani 15/262
5,549,216 A 8/1996 Scholl
5,570,807 A 11/1996 Busch
5,624,093 A 4/1997 Gemmell
5,641,087 A 6/1997 Moffitt
5,746,346 A 5/1998 Crilly
D395,531 S * 6/1998 Mandell et al. D32/53
D396,914 S * 8/1998 Pepper et al. D32/53
5,810,196 A 9/1998 Lundy

RE35,933 E 10/1998 Scholl
D401,116 S 11/1998 Demore
5,836,469 A 11/1998 Zebrowski
5,971,201 A 10/1999 Daw
D417,051 S * 11/1999 Dickinson et al. D32/53
6,065,633 A 5/2000 Abbey
6,119,303 A 9/2000 Passafiume
6,138,963 A 10/2000 Malvasio
D435,728 S 1/2001 Miles et al.
D444,929 S 7/2001 Cox
6,260,730 B1 7/2001 Fellman
D458,723 S 6/2002 Malvasio
D460,845 S 7/2002 Bergman
6,419,106 B1 7/2002 Bebak
6,446,829 B1 9/2002 Malvasio et al.
D466,407 S 12/2002 Nance
D477,447 S * 7/2003 Calaicone D32/53
6,708,838 B2 3/2004 Bergman et al.
D493,035 S 7/2004 Bergman
6,991,829 B2 1/2006 Bergman 427/429
2002/0036206 A1 3/2002 Bergman et al.
2002/0056714 A1 5/2002 Schinkel

FOREIGN PATENT DOCUMENTS

JP 10 287339 10/1998

OTHER PUBLICATIONS

14 (fourteen) photos of a pail known to the public prior to Apr. 29, 2004 (14 pages).

* cited by examiner

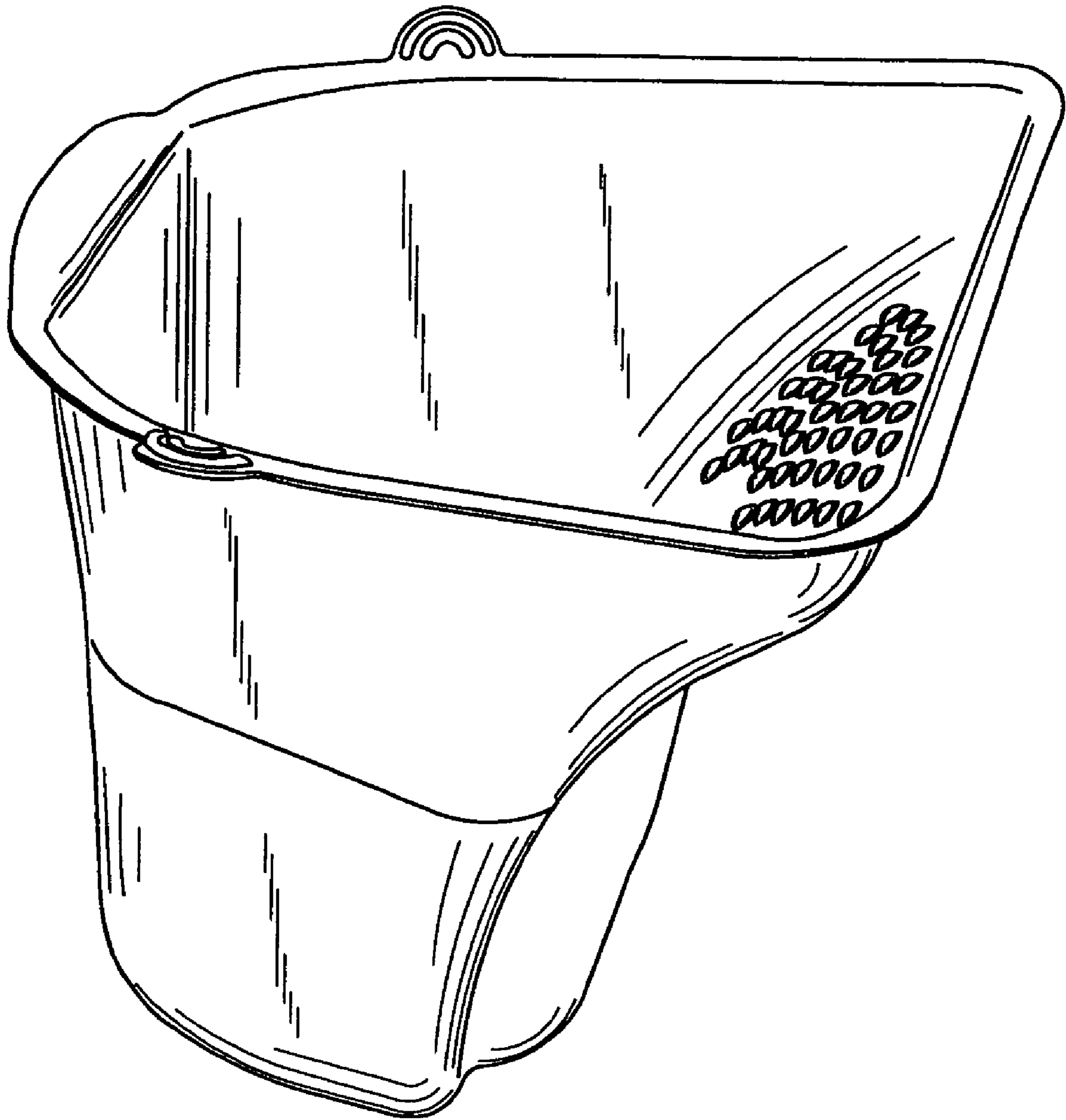


Fig 1

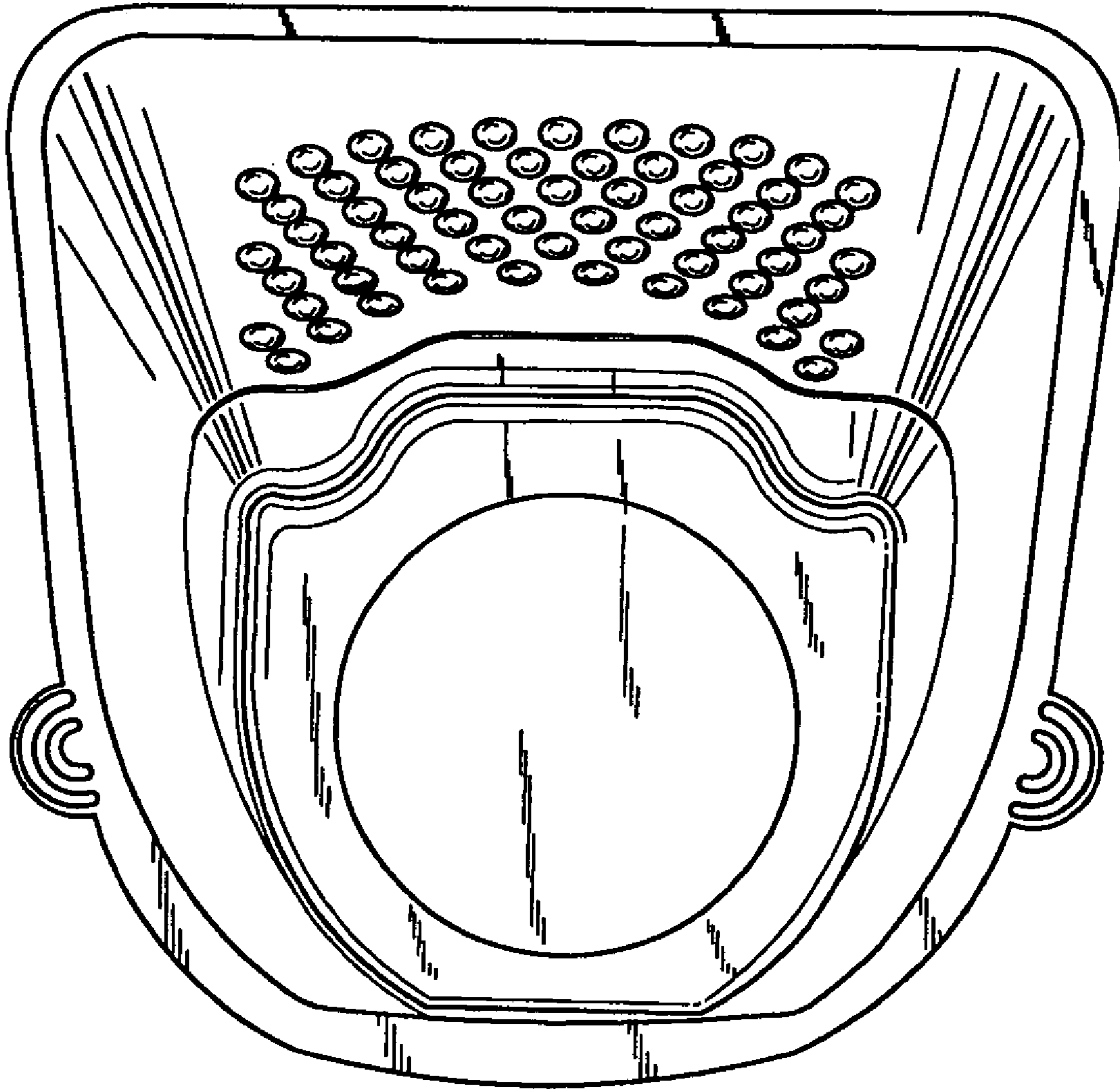


Fig. 2

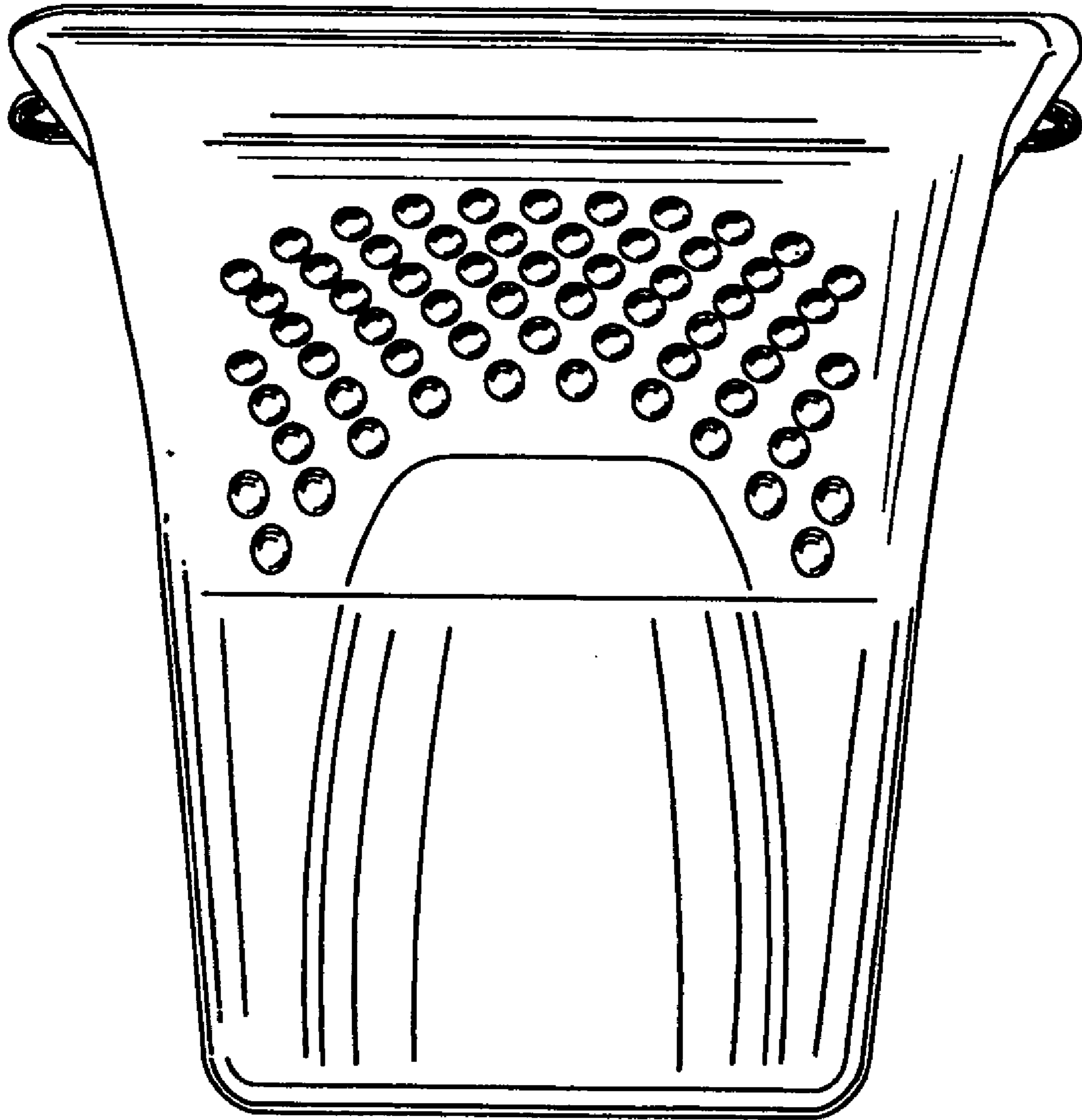


Fig. 3

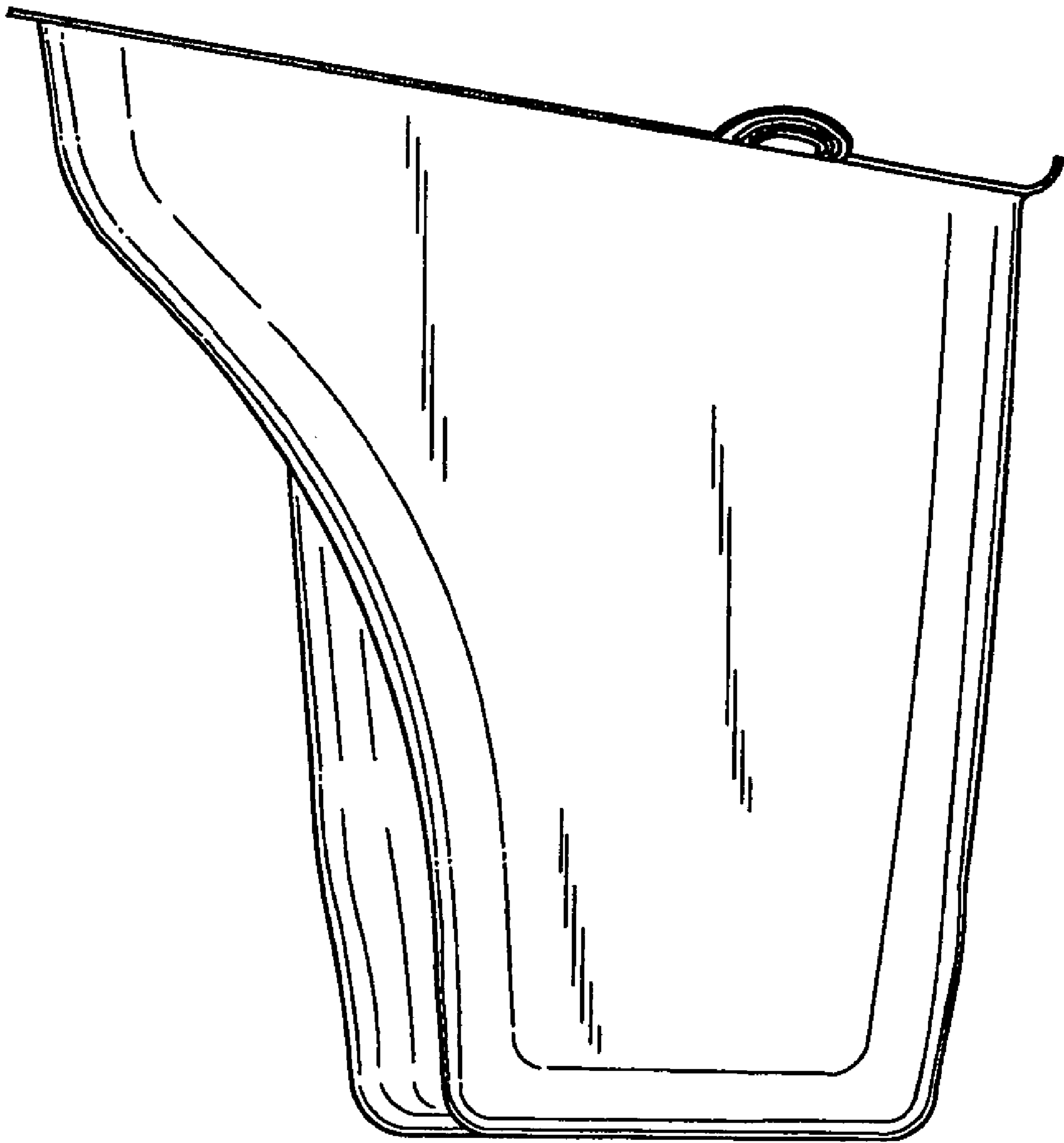


Fig. 4

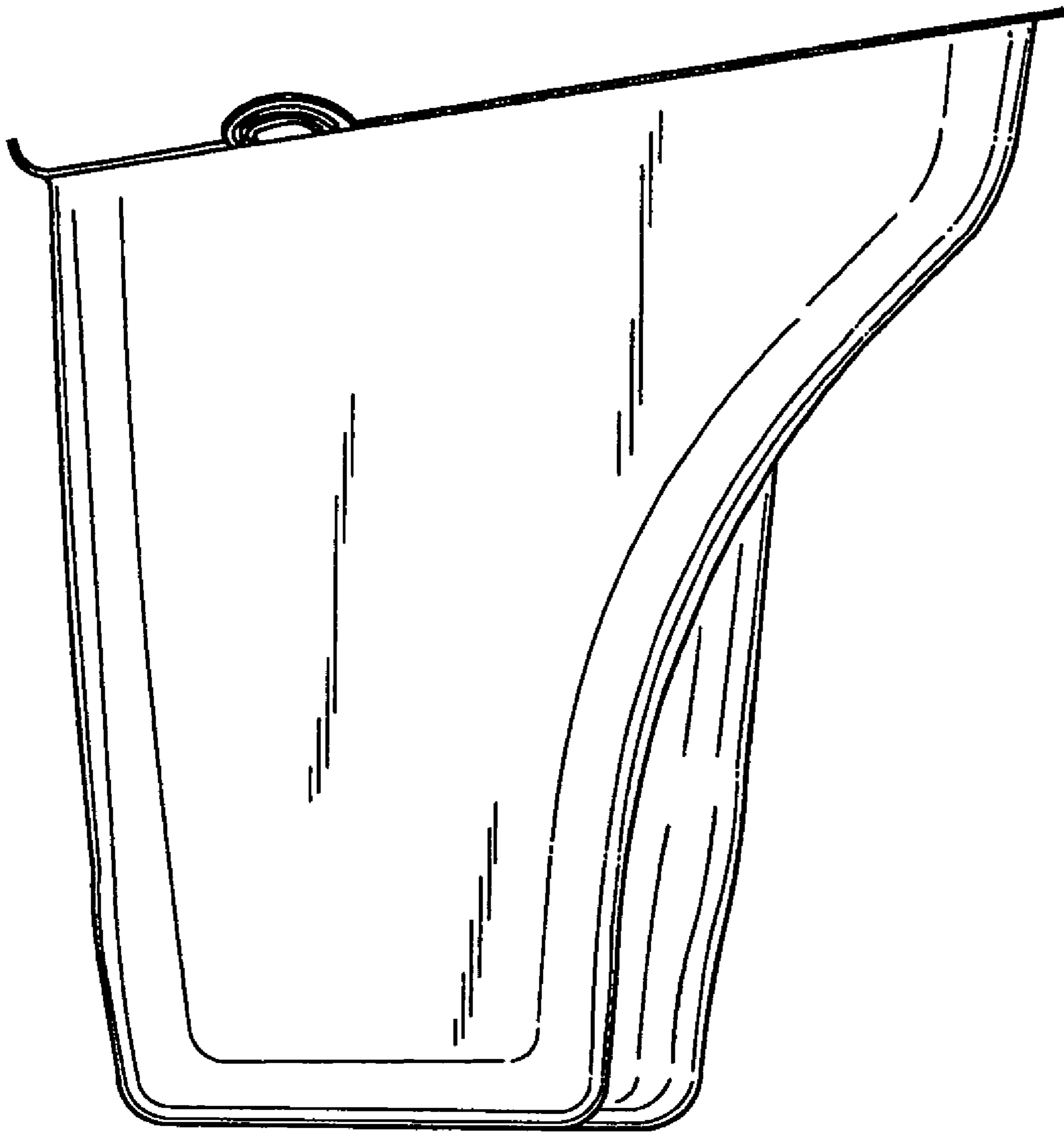


Fig. 5

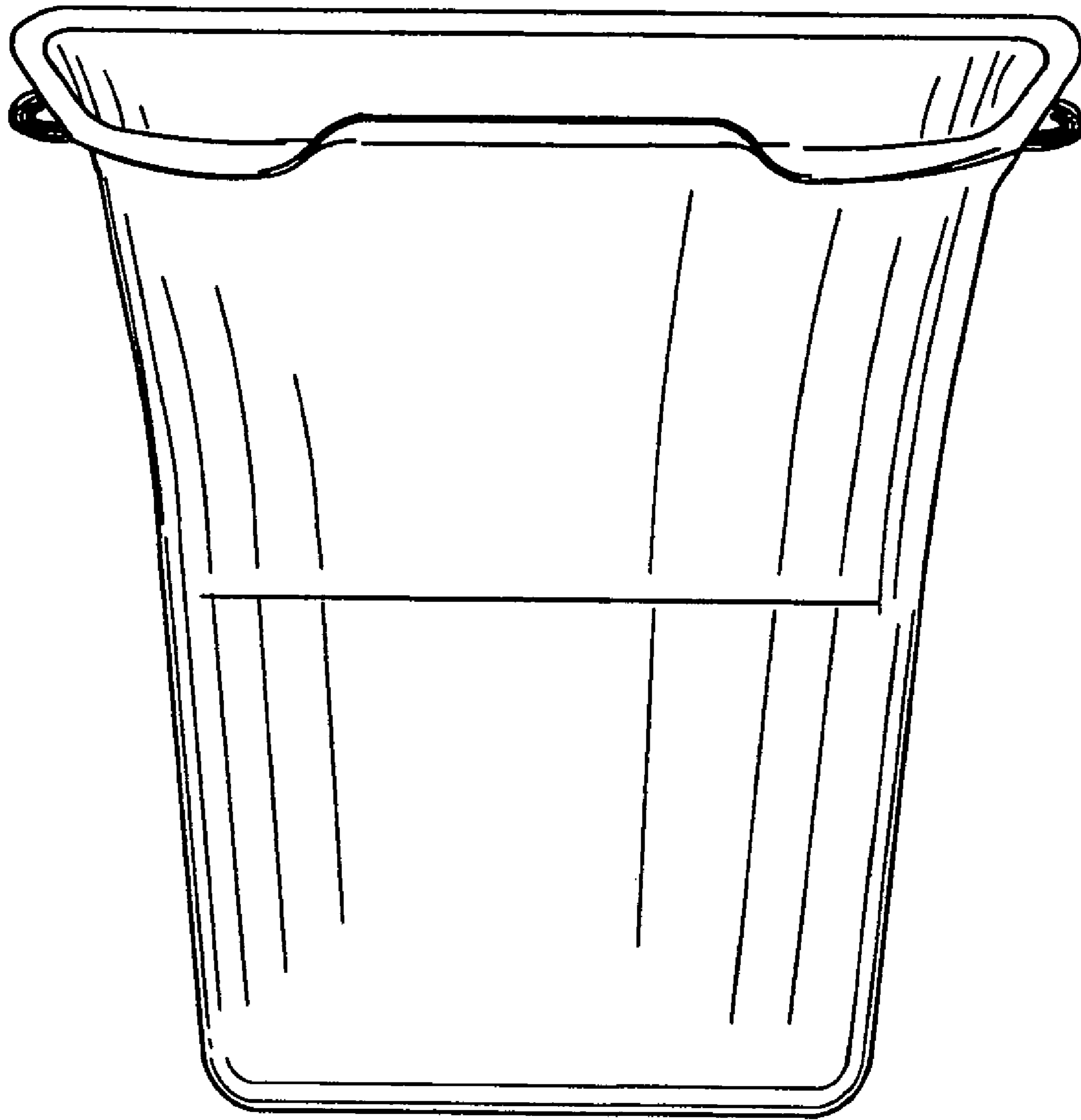


Fig. 6

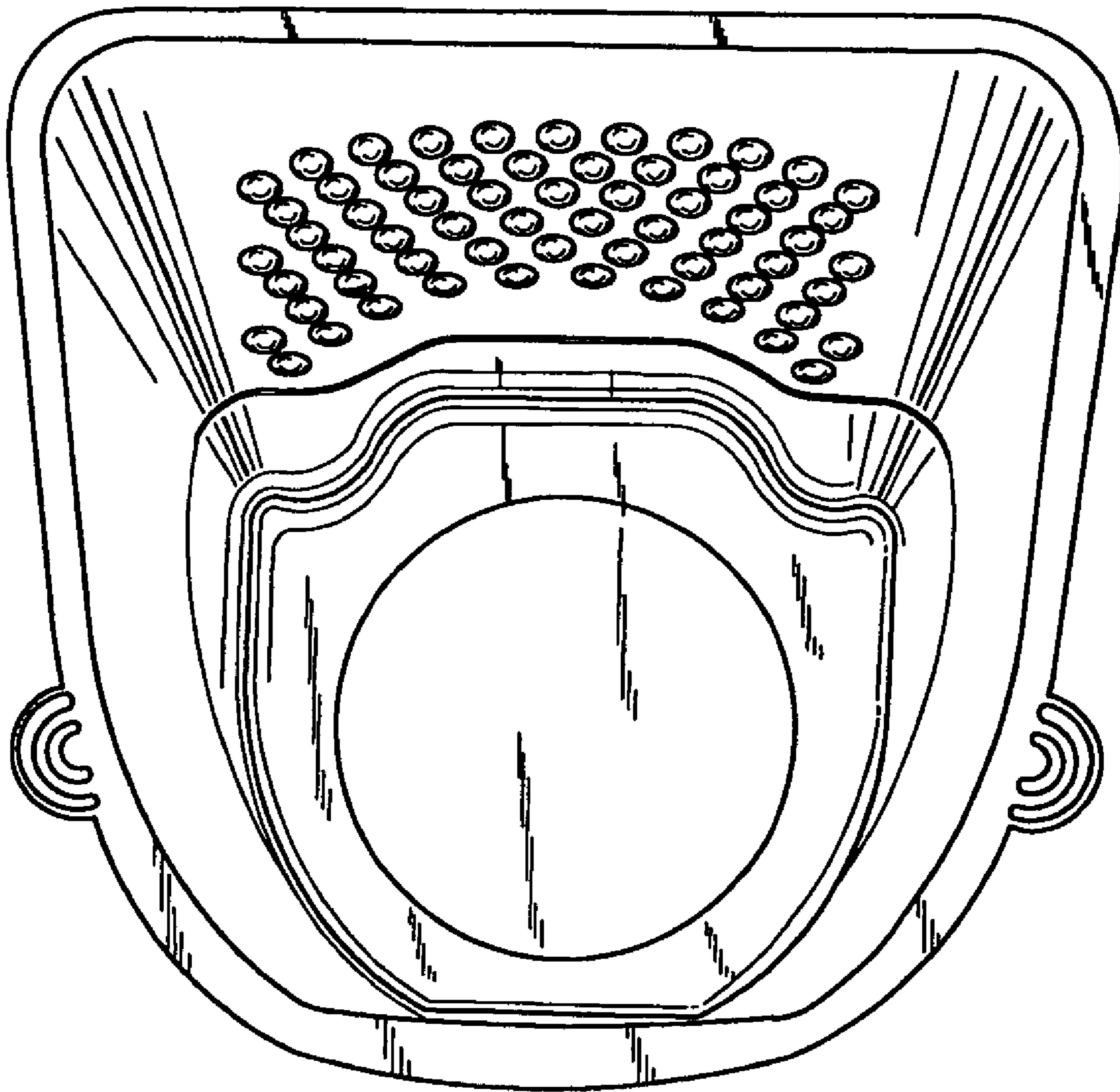


Fig. 7

UNITED STATES PATENT AND TRADEMARK OFFICE
Certificate

Patent No. D. 549,913 S

Patented: August 28, 2007

On petition requesting issuance of a certificate for correction of inventorship pursuant to 35 U.S.C. 256, it has been found that the above identified patent, through error and without any deceptive intent, improperly sets forth the inventorship.

Accordingly, it is hereby certified that the correct inventorship of this patent is: Mark W. Bergman, Minnetonka, MN (US); Matthew V. Leyden, St. Paul, MN (US); and Jeffrey B. Waffensmith, North Oaks, MN (US).

Signed and Sealed this Second Day of July 2013.

CATHRON BROOKS
Supervisory Patent Examiner
Art Unit 2911
Technology Center 2900