



US00D549912S

(12) **United States Design Patent**
Van Landingham

(10) **Patent No.:** **US D549,912 S**

(45) **Date of Patent:** **** Aug. 28, 2007**

(54) **MOP**

(75) **Inventor:** **A. Reneau Van Landingham**, Stephens
City, VA (US)

(73) **Assignee:** **Rubbermaid Commercial Products**
LLC, Winchester, VA (US)

(**) **Term:** **14 Years**

(21) **Appl. No.:** **29/276,061**

(22) **Filed:** **Jan. 12, 2007**

(51) **LOC (8) Cl.** **04-01**

(52) **U.S. Cl.** **D32/40**

(58) **Field of Classification Search** D32/50–52,
D32/45; 15/116.1–116.2, 119.1–119.2, 147.1–147.2,
15/150, 228

See application file for complete search history.

(56) **References Cited**

U.S. PATENT DOCUMENTS

1,184,543 A	5/1916	Lepak
1,234,721 A	7/1917	Bogges
1,486,284 A	3/1924	Eiffe
1,816,861 A	8/1931	Mancuso
1,929,848 A	10/1933	Neely
1,932,099 A	10/1933	Cabana
1,955,445 A	4/1934	Wenger
2,021,977 A	11/1935	Allen et al.
2,023,134 A	12/1935	Gringer
2,123,813 A	7/1938	Stiles
2,134,301 A	10/1938	Guggenbuehler
2,137,944 A	11/1938	MacLeod
2,252,436 A	8/1941	MacGraham
2,262,334 A	11/1941	Rugaard
2,277,676 A	3/1942	Blanchard
2,753,579 A	7/1956	Kussmann
2,764,774 A	10/1956	Belsky et al.

2,793,383 A	5/1957	Nomiya
2,870,475 A	1/1959	Scheuer et al.
2,932,047 A	4/1960	Johnston
2,969,120 A	1/1961	Randolph
3,099,028 A	7/1963	Ardito
3,099,855 A	8/1963	Nash
3,101,500 A	8/1963	Paolantonio
3,145,406 A	8/1964	Lay

(Continued)

FOREIGN PATENT DOCUMENTS

BE 523195 1/1956

(Continued)

Primary Examiner—Pamela J. Burgess

(74) *Attorney, Agent, or Firm*—Foley & Lardner LLP

(57) **CLAIM**

The ornamental design for a mop, as shown and described.

DESCRIPTION

FIG. 1 is a top frontal perspective view of a mop according to our new design;

FIG. 2 is a front view of the mop shown in FIG. 1;

FIG. 3 is a back view of the mop shown in FIG. 1;

FIG. 4 is a left side view of the mop shown in FIG. 1;

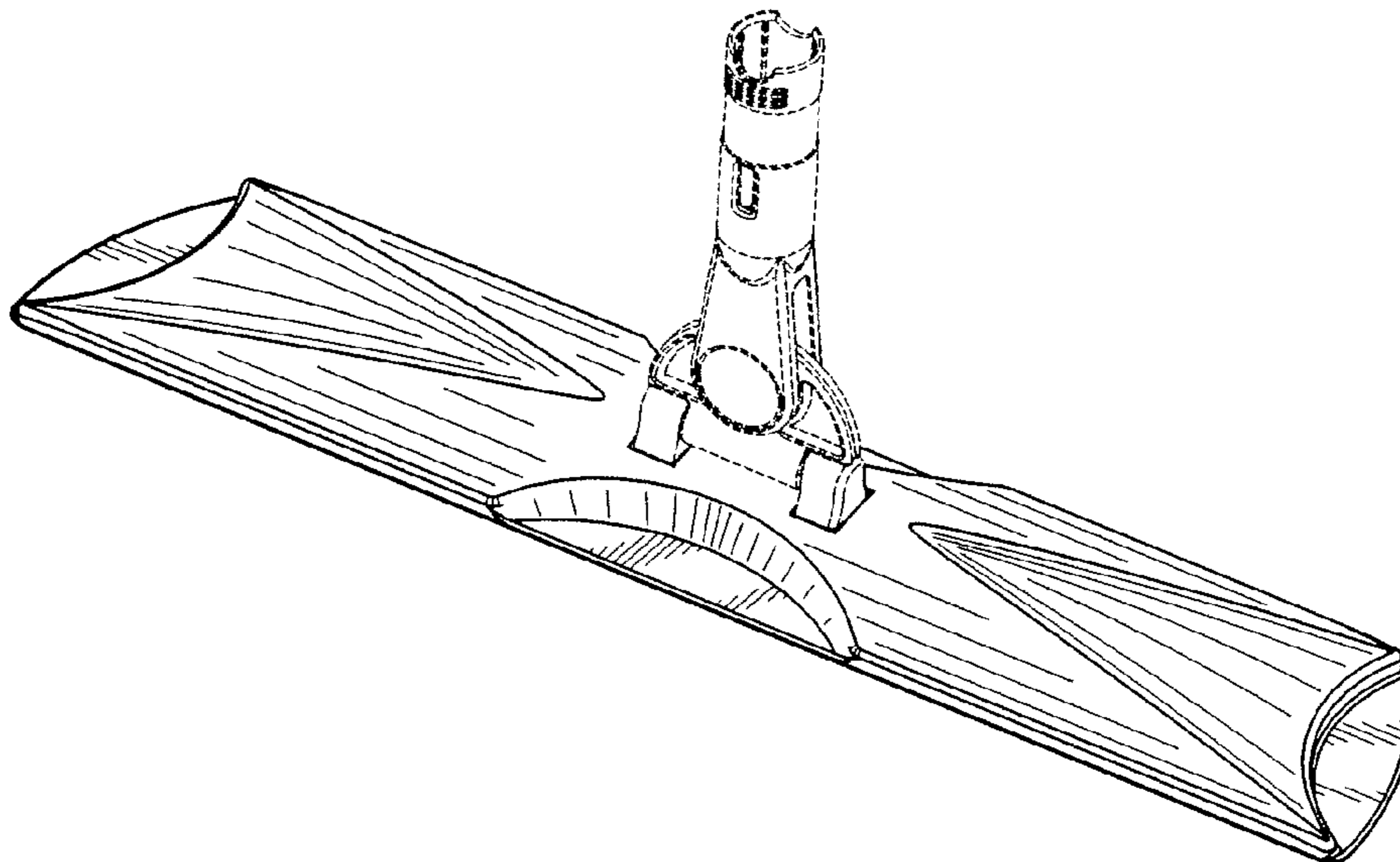
FIG. 5 is a right side view of the mop shown in FIG. 1;

FIG. 6 is a top view of the mop shown in FIG. 1; and,

FIG. 7 is a bottom view of the mop shown in FIG. 1.

The ornamental design which is claimed is shown in solid lines in the drawings. The broken lines in the drawings are for illustrative purposes only and form no part of the claimed design.

1 Claim, 4 Drawing Sheets



US D549,912 S

U.S. PATENT DOCUMENTS				
3,187,363 A	6/1965	Auwarter	D296,833 S	7/1988 Slattery et al.
D204,662 S	5/1966	Benjamin	4,754,518 A	7/1988 Griffin
D206,933 S	2/1967	Gibbs	4,791,780 A	12/1988 Phillips
3,341,876 A	9/1967	Campbell	4,793,646 A	12/1988 Michaud, Jr.
3,358,313 A	12/1967	Grimes, Sr.	4,794,663 A	1/1989 Vosbikian
3,407,424 A	10/1968	Lanzarone et al.	4,798,307 A	1/1989 Evrard
3,440,677 A	4/1969	Flomerfelt	4,811,449 A	3/1989 Kobayashi
3,465,377 A	9/1969	Thomas	4,811,990 A	3/1989 Quearry et al.
3,562,841 A	2/1971	Royalty	4,823,427 A	4/1989 Gibbs et al.
3,593,359 A	7/1971	Strauss	4,829,622 A	5/1989 O'Sullivan et al.
3,699,606 A	10/1972	Ribas	4,829,857 A	5/1989 Jones
3,737,938 A	6/1973	Saltzstein	4,850,075 A	7/1989 Kresse et al.
3,747,154 A	7/1973	O'Neil	4,852,207 A	8/1989 Yamane
3,773,375 A	11/1973	Nehls	4,852,210 A	8/1989 Krajicek
D230,127 S	1/1974	Banner	D304,630 S	11/1989 Jones et al.
3,792,505 A	2/1974	Saltzstein	4,912,804 A	4/1990 Pasbol
3,850,533 A	11/1974	Thielen	D307,517 S	5/1990 Mallory et al.
3,866,257 A	2/1975	Cansdale, Sr.	D308,140 S	5/1990 Klamm
3,877,103 A	4/1975	Nash	D308,741 S	6/1990 Tsukamoto
3,896,518 A	7/1975	Von Post et al.	4,962,561 A	10/1990 Hamilton
3,909,870 A	10/1975	Leland	D320,295 S	9/1991 Delmerico
3,921,247 A	11/1975	Cook	5,071,489 A	12/1991 Silvenis et al.
3,996,639 A	12/1976	Griffin	5,099,539 A	3/1992 Forester
4,070,726 A	1/1978	Joffre	5,109,637 A	5/1992 Calafut et al.
D248,081 S	6/1978	Epstein	5,133,101 A	7/1992 Hauser et al.
D248,610 S	7/1978	Schwartz	D331,151 S	11/1992 Kiefer
4,114,223 A	9/1978	Buchanan	5,207,754 A	5/1993 Harrah
D249,821 S *	10/1978	Cooke et al. D4/199	5,220,707 A	6/1993 Newman, Sr. et al.
D250,245 S	11/1978	Bebb	5,228,202 A	7/1993 Liao
4,132,489 A	1/1979	Berg, Jr. et al.	5,242,362 A	9/1993 Talamantez
4,161,799 A	7/1979	Sorrells	D344,379 S	2/1994 Clark, Jr.
4,165,550 A	8/1979	Burke	D345,236 S	3/1994 Chen
4,184,224 A	1/1980	Joffre	5,292,582 A	3/1994 Gibbs et al.
4,225,998 A	10/1980	Thielen	D348,550 S	7/1994 Cox et al.
4,247,216 A	1/1981	Pansini	5,333,347 A	8/1994 Stranders
D262,936 S	2/1982	Nishiyama et al.	5,333,353 A	8/1994 Taylor
4,315,342 A	2/1982	Ash	5,343,589 A	9/1994 Davenport
4,325,157 A	4/1982	Balint et al.	D353,752 S	12/1994 Page
D264,424 S	5/1982	Clark	5,375,286 A	12/1994 Harrah
4,344,201 A	8/1982	Trisolini	D354,169 S *	1/1995 Roberts D4/137
4,345,351 A	8/1982	Moss et al.	5,390,746 A	2/1995 Page
4,381,766 A	5/1983	Avolio	5,402,559 A	4/1995 Allison et al.
D270,961 S	10/1983	Hawkins et al.	D358,238 S	5/1995 Barnett
4,455,705 A	6/1984	Graham	5,419,015 A	5/1995 Garcia
D274,856 S	7/1984	Smith et al.	D359,605 S	6/1995 Janikowski
4,466,377 A	8/1984	Kolb et al.	5,423,621 A	6/1995 Russell
4,477,972 A	10/1984	Testa, Jr.	5,426,809 A	6/1995 Muta
D277,039 S	1/1985	Miyoshi et al.	5,440,778 A	8/1995 De Guzman
4,516,360 A	5/1985	Gringer et al.	5,461,749 A	10/1995 Ahlberg et al.
4,524,484 A	6/1985	Graham	5,467,830 A	11/1995 Watson
D279,932 S	7/1985	Bergstrom	5,469,594 A	11/1995 Nolte
4,603,450 A	8/1986	Osberghaus et al.	D366,740 S	1/1996 Clausen et al.
D285,736 S	9/1986	Seely	5,487,202 A	1/1996 Cowan
D286,096 S	10/1986	Jaros et al.	D368,561 S	4/1996 Hodges et al.
4,620,340 A	11/1986	Bohacek	5,502,864 A	4/1996 Sorenson
D287,173 S *	12/1986	Libman D32/51	5,515,574 A	5/1996 Larson
4,625,356 A	12/1986	Meili	5,548,865 A	8/1996 Pagani
4,656,686 A	4/1987	Moss et al.	5,553,344 A	9/1996 Rosenkrantz
4,659,125 A	4/1987	Chuan	D374,321 S	10/1996 Mandell et al.
4,663,796 A	5/1987	Helling et al.	D376,742 S	12/1996 Filowiak et al.
4,663,798 A	5/1987	Sacks et al.	5,579,557 A	12/1996 Boden
4,667,846 A	5/1987	Marceau	5,579,558 A	12/1996 Newman, Jr. et al.
4,673,307 A	6/1987	Prestele et al.	D377,140 S	1/1997 Bair
4,685,167 A	8/1987	Murray	5,603,138 A	2/1997 Bonis
4,704,758 A	11/1987	Hoffman	5,611,104 A	3/1997 De Mars
4,704,763 A	11/1987	Sacks et al.	5,625,923 A	5/1997 Huang
4,707,877 A	11/1987	Griffin	D380,303 S	7/1997 Wolfenden
4,713,859 A	12/1987	Smith, Jr.	5,655,250 A	8/1997 Warrell
4,716,619 A	1/1988	Young	D383,580 S	9/1997 Bolster et al.
D295,914 S	5/1988	Moss et al.	5,666,685 A	9/1997 Von Grolman et al.
4,742,595 A	5/1988	Isaacs	D384,818 S	10/1997 Wolfenden
			5,682,641 A	11/1997 Newman, Jr. et al.
			D388,934 S	1/1998 Ames, Jr. et al.

US D549,912 S

5,720,071 A	2/1998	Hall	6,213,672 B1	4/2001	Varga
D391,715 S	3/1998	Irwin et al.	6,237,182 B1	5/2001	Cassar
5,729,865 A	3/1998	Stoddart	6,243,909 B1	6/2001	Graham et al.
5,752,415 A	5/1998	Tsai	6,254,305 B1	7/2001	Taylor
D395,530 S	6/1998	Mandell et al.	6,260,230 B1	7/2001	Hunt
D395,531 S	6/1998	Mandell et al.	6,260,238 B1	7/2001	MacMillan
5,771,535 A	6/1998	Blessing	6,279,195 B1	8/2001	Biggs
5,774,929 A	7/1998	Jürgens et al.	6,298,517 B1	10/2001	McKay
5,779,291 A	7/1998	Forest	6,305,046 B1	10/2001	Kingry et al.
5,791,006 A	8/1998	Anctil	6,311,368 B1	11/2001	Sartori
5,791,805 A	8/1998	Lynch et al.	6,332,234 B1	12/2001	Graham et al.
5,813,567 A	9/1998	Mangano	6,339,979 B1	1/2002	Chiang
5,815,878 A	10/1998	Murakami et al.	D455,878 S	4/2002	Debreczeni
D401,703 S	11/1998	Beechuk et al.	6,367,121 B1	4/2002	MacMillan
D402,776 S	12/1998	Carlson	6,378,159 B1	4/2002	Garrison et al.
5,842,810 A	12/1998	Morad	6,389,638 B1	5/2002	Dickinson et al.
5,845,361 A	12/1998	Murakami et al.	D458,427 S	6/2002	Kunkler et al.
5,845,917 A	12/1998	Huang	D458,721 S	6/2002	Clarke
D403,819 S	1/1999	Carlson	D458,722 S *	6/2002	Romero et al. D32/52
5,862,562 A	1/1999	Erken	6,397,427 B1	6/2002	Bryngelsson
D404,924 S	2/1999	Schmidt	6,405,403 B1	6/2002	McKay
D404,982 S	2/1999	Fluent	6,412,138 B1	7/2002	MacMillan
5,864,913 A	2/1999	Robertson et al.	6,415,470 B1	7/2002	Ramrattan
D406,932 S	3/1999	Hodges	6,457,203 B1	10/2002	Williams et al.
5,887,315 A	3/1999	Rogers	6,461,074 B2	10/2002	Taylor
D407,878 S	4/1999	Carlson	D465,705 S	11/2002	Hinden
D408,602 S	4/1999	Carlson	D465,890 S	11/2002	Rivera et al.
D409,343 S	5/1999	Kingry et al.	6,484,346 B2	11/2002	Kingry et al.
D411,673 S	6/1999	Biggs et al.	6,513,184 B1	2/2003	Brown et al.
5,915,437 A	6/1999	Petner	6,523,220 B1	2/2003	Lynn
5,918,343 A	7/1999	Young	6,530,124 B2	3/2003	Newman et al.
5,920,944 A	7/1999	Biggs et al.	6,532,630 B1	3/2003	Newman et al.
5,926,896 A	7/1999	Allemann et al.	6,543,082 B2	4/2003	Dingert et al.
D413,234 S	8/1999	Spear	6,546,596 B2	4/2003	Grote et al.
5,941,410 A	8/1999	Mangano	D476,123 S	6/2003	Debreczeni
5,960,508 A	10/1999	Holt et al.	D477,701 S	7/2003	Kunkler et al.
5,971,199 A	10/1999	Jackson	6,588,065 B1	7/2003	Tucker, III
5,983,441 A	11/1999	Williams et al.	D478,257 S	8/2003	Fredrickson
5,983,455 A	11/1999	Polzin et al.	6,601,261 B1	8/2003	Holt et al.
5,987,685 A	11/1999	Lambert	6,606,757 B2	8/2003	Vosbikian et al.
5,992,423 A	11/1999	Tevolini	D481,184 S *	10/2003	Clare et al. D32/50
D417,934 S	12/1999	Footer et al.	D482,829 S	11/2003	Vosbikian et al.
5,996,175 A	12/1999	Fusco	6,651,290 B2	11/2003	Kingry et al.
6,000,094 A	12/1999	Young	6,659,670 B1	12/2003	Blouse
6,003,191 A	12/1999	Sherry et al.	6,669,397 B1	12/2003	Christion
6,023,924 A	2/2000	Babineau	6,671,923 B2	1/2004	Gromnicki
6,029,308 A	2/2000	Smith	6,671,930 B2	1/2004	Lanz
D423,157 S	4/2000	Hodges	D486,616 S	2/2004	Hall et al.
D423,742 S	4/2000	Kingry et al.	D487,174 S	2/2004	Colman et al.
6,045,622 A	4/2000	Holt et al.	6,684,446 B2	2/2004	Salmon
6,048,123 A	4/2000	Holt et al.	6,684,450 B2	2/2004	Dingert
D424,870 S	5/2000	Thurlow	6,687,943 B2	2/2004	Zorzo
6,058,548 A	5/2000	Footer et al.	D489,852 S	5/2004	Perelli
6,058,552 A	5/2000	Hanan	D490,952 S	6/2004	Ajluni
6,061,864 A *	5/2000	Ensson 15/147.1	D496,512 S	9/2004	Treacy
D426,361 S	6/2000	Young	6,785,927 B2	9/2004	Lesley et al.
D427,401 S	6/2000	Kunkler	6,794,352 B2	9/2004	Svendsen
D428,226 S	7/2000	Kunkler	6,836,923 B2	1/2005	Treacy et al.
6,092,255 A	7/2000	Kim	D501,971 S	2/2005	Treacy
D429,396 S	8/2000	Houry et al.	2001/0013153 A1	8/2001	Zorzo
D429,862 S	8/2000	Houry et al.	2001/0029640 A1	10/2001	Cassar
6,098,239 A	8/2000	Vosbikian	2001/0047559 A1	12/2001	Graham et al.
6,101,661 A	8/2000	Policicchio et al.	2001/0047570 A1	12/2001	Lanz
6,115,877 A	9/2000	Morad et al.	2002/0021013 A1	2/2002	Newman et al.
6,115,878 A	9/2000	McLaughlin et al.	2002/0026680 A1	3/2002	Kingry et al.
6,119,298 A	9/2000	Kenmochi	2002/0066163 A1	6/2002	Lomax
6,128,803 A	10/2000	Dickinson et al.	2002/0073502 A1	6/2002	Gromnicki
D433,890 S	11/2000	Scaringella	2002/0078520 A1	6/2002	Salmon
6,141,820 A	11/2000	Schmiedhoff et al.	2002/0083964 A1	7/2002	McKay
D434,911 S	12/2000	Lynch et al.	2002/0088091 A1	7/2002	Grote et al.
6,158,089 A	12/2000	Monahan et al.	2002/0088092 A1	7/2002	Cavalheiro
6,199,245 B1	3/2001	Blessing	2002/0116780 A1	8/2002	Young
6,202,250 B1	3/2001	Kenmochi et al.	2002/0120997 A1	9/2002	Alt

US D549,912 S

Page 4

2002/0144369	A1	10/2002	Biggs et al.	DE	815036	9/1951
2002/0184726	A1	12/2002	Kingry et al.	DE	1 703 505	5/1968
2003/0003831	A1	1/2003	Childs et al.	DE	1 503 872	7/1969
2003/0003832	A1	1/2003	Childs et al.	DE	0 122 675 A1	10/1984
2003/0009839	A1	1/2003	Streutker et al.	DE	34 11 858 A1	8/1985
2003/0024074	A1	2/2003	Hartman	DE	0 168 681 B1	1/1986
2003/0028988	A1	2/2003	Streutker et al.	DE	0 254 507 A1	1/1988
2003/0044569	A1	3/2003	Kacher et al.	DE	9000477 U1	1/1990
2003/0046782	A1	3/2003	Kresse et al.	DE	41 09 142 A1	9/1992
2003/0049407	A1	3/2003	Kacher et al.	DE	9301615 U1	2/1993
2003/0056315	A1	3/2003	Salmon	DE	9307679 U1	9/1993
2003/0074756	A1	4/2003	Policicchio et al.	DE	43 29 848 A1	3/1994
2003/0084531	A1	5/2003	Dingert et al.	DE	9408885 U1	10/1994
2003/0106568	A1	6/2003	Keck et al.	DE	9410791 U1	10/1994
2003/0121116	A1	7/2003	Keck et al.	DE	9411092 U1	10/1994
2003/0126709	A1	7/2003	Policicchio et al.	DE	43 18 792 A1	12/1994
2003/0126710	A1	7/2003	Policicchio et al.	DE	9145002 U1	12/1994
2003/0135948	A1	7/2003	Holt et al.	DE	94 16 565 U1	1/1995
2003/0150478	A1	8/2003	Biggs	DE	94 21 373 U1	12/1995
2003/0167589	A1	9/2003	Dingert et al.	DE	195 21 341 A1	12/1995
2003/0200631	A1	10/2003	Clarke	DE	195 29 780 A1	2/1997
2004/0011382	A1	1/2004	Kingry et al.	DE	9311098 U1	2/1997
2004/0055099	A1	3/2004	Greenberg	DE	296 20 863 U1	3/1997
2004/0055102	A1	3/2004	Treacy et al.	DE	196 20 663 A1	11/1997
2004/0071490	A1	4/2004	Vosbikian et al.	DE	197 36 735 A1	2/1999
2004/0074520	A1	4/2004	Truong et al.	DE	298 18 942 U1	2/1999

FOREIGN PATENT DOCUMENTS

CA	1109654	A	9/1981	DE	198 03 595 A1	8/1999
CA	1287955	C	8/1991	DE	198 27 865 A1	1/2000
CA	2057085	A1	6/1992	DE	199 08 259 A1	8/2000
CA	1306590	C	8/1992	DE	100 20 366 A1	6/2001
CA	1307629	C	9/1992	DE	100 08 331 A1	9/2001
CA	2050980	A1	10/1992	DE	100 13 308 C1	9/2001
CA	1315502	C	4/1993	DE	100 19 211 A1	9/2001
CA	2138144	A1	12/1993	DE	201 06 432 U1	9/2001
CA	2114992	A1	8/1994	DE	201 07 465 U1	2/2002
CA	2181683	A1	7/1995	DE	201 17 581 U1	2/2002
CA	2189433	A1	12/1995	DE	100 19 334 A1	4/2002
CA	2203692	A1	4/1997	DE	101 23 522 C1	8/2002
CA	2201432	A1	10/1997	DE	202 20 311 U1	7/2003
CA	2263263		2/1998	DE	102 23 074 C1	8/2003
CA	2238091	A1	5/1998	DE	102 10 569 A1	9/2003
CA	2252819	A1	10/1998	DE	102 21 060 A1	11/2003
CA	2265139	A1	3/1999	DE	297 24 799 U1	4/2004
CA	2272405	A1	5/1999	DE	597 084	12/2004
CA	2 376 800	A1	12/1999	DM	1049824	11/1999
CA	2193045	C	12/1999	EM	000015847-0002	4/2003
CA	2 349 726	A1	5/2000	EM	000139613-0001	2/2004
CA	2170154	C	11/2000	EM	000139613-0002	2/2004
CA	2 377 579	A1	1/2001	EM	000139613-0003	2/2004
CA	2 380 369	A1	2/2001	EP	0 299 298 A1	1/1989
CA	2 384 137	A1	4/2001	EP	0 625 329 A1	11/1994
CA	2 384 857	A1	4/2001	EP	0 697 269 A2	2/1996
CA	2 332 554	A1	8/2001	EP	0 702 927 A1	3/1996
CA	2 154 839	C	10/2001	EP	0 781 524 A	7/1997
CA	2 342 010	A1	11/2001	EP	0 782 835 A2	7/1997
CA	2 413 519	A1	1/2002	EP	0 783 866 A2	7/1997
CA	2 353 287	A1	2/2002	EP	0 568 110 B1	9/1997
CA	2 426 042	A1	5/2002	EP	0 808 601 A2	11/1997
CA	2 426 546	A1	5/2002	EP	0 898 927 A1	3/1999
CA	2 426 628	A1	5/2002	EP	0 981 993 A2	3/2000
CA	2 209 147	C	8/2002	EP	1 123 683 A2	8/2001
CA	2 448 393	A1	1/2003	EP	1 138 246 A2	10/2001
CA	2 411 221	A1	5/2003	EP	1 157 653 A2	11/2001
CA	2 266 783	C	1/2004	EP	1 162 122 A2	12/2001
CA	2 284 654	C	1/2004	EP	1 177 863 A2	2/2002
CA	2 266 541	C	3/2004	EP	1 181 887 A2	2/2002
CA	2 282 149	C	3/2004	EP	1 234 537 A2	8/2002
CA	2215574	C	3/2004	EP	1 234 538 A2	8/2002
CA	2 300 393	C	5/2004	EP	1 262 139 A	12/2002
CA	2 193 044	C	12/2004	EP	1 380 248 A2	1/2004
				FR	786.764	9/1935
				FR	1.084.131	1/1955
				FR	1.347.916	11/1963

US D549,912 S

Page 5

FR	2 354 743	1/1978	WO	97/35510 A1	10/1997
FR	2 495 530	6/1982	WO	98/06316 A1	2/1998
FR	2 769 204 A1	4/1999	WO	98/11812 A1	3/1998
GB	660499	11/1951	WO	98/11813 A1	3/1998
GB	820753 A	9/1959	WO	98/12023 A1	3/1998
GB	945831	1/1964	WO	98/23199 A1	6/1998
GB	1 501 316	2/1978	WO	98/36676 A1	8/1998
GB	1 562 009	3/1980	WO	98/42246 A1	10/1998
GB	2 197 185 A	5/1988	WO	99/07523 A1	2/1999
GB	2 319 742 A	6/1998	WO	99/11171 A1	3/1999
GB	2 331 694 A	6/1999	WO	99/63879 A1	12/1999
GB	2 372 430 A	8/2002	WO	99/66825 A1	12/1999
GB	2 372 437 A	8/2002	WO	00/27271 A2	5/2000
LU	88 755	10/1996	WO	00/69321 A	11/2000
NL	6903297	9/1970	WO	01/06137 A1	1/2001
PL	183974 B1	11/1997	WO	01/22860 A1	4/2001
SE	470 475 B	5/1994	WO	01/22861 A2	4/2001
SE	502 450 C2	10/1995	WO	01/39653 A1	6/2001
WO	89/12419 A1	12/1989	WO	01/45547 A1	6/2001
WO	92/14064 A1	8/1992	WO	01/54867 A1	8/2001
WO	92/18046 A1	10/1992	WO	01/37942 A1	9/2001
WO	92/19142 A1	11/1992	WO	01/67941 A1	9/2001
WO	93/26148 A1	12/1993	WO	02/00085 A2	1/2002
WO	95/07044 A1	3/1995	WO	02/083370 A1	10/2002
WO	95/20107 A1	7/1995	WO	03/075737 A2	9/2003
WO	95/32661 A1	12/1995	WO	03/092965 A2	11/2003
WO	97/01420 A1	1/1997	WO	03/099095 A1	12/2003
WO	97/10742 A1	3/1997			
WO	97/18744 A1	5/1997			
WO	97/33510 A1	9/1997			

* cited by examiner

Fig. 1

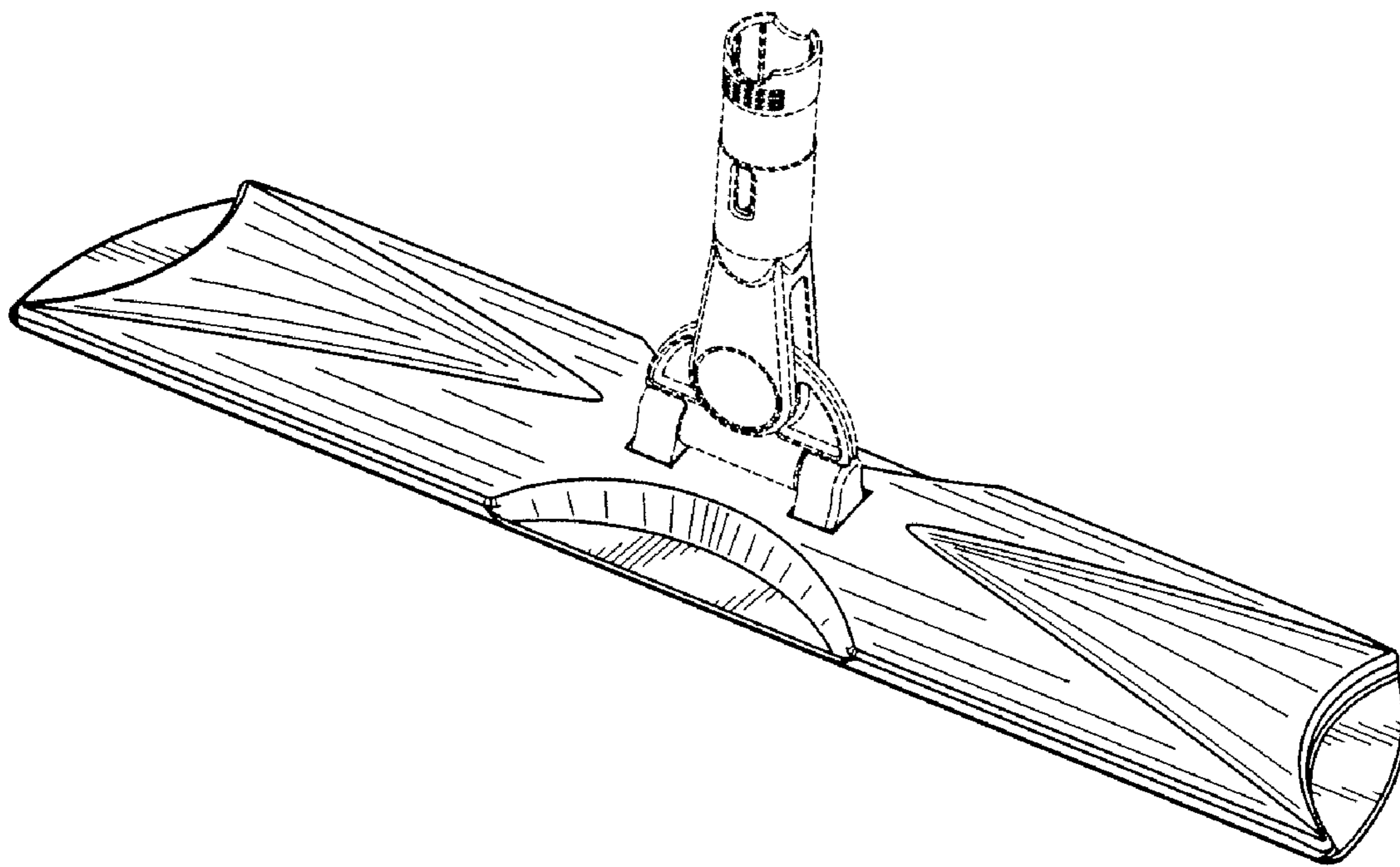


Fig. 2

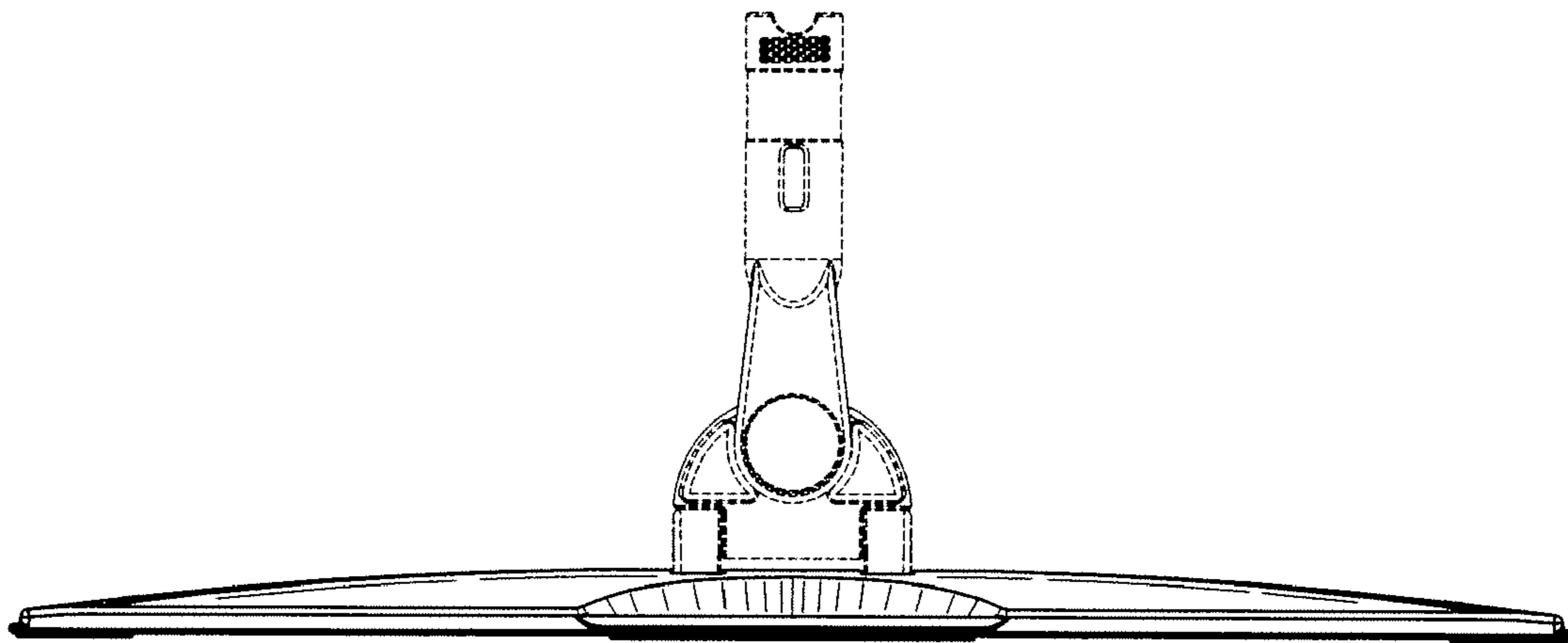


Fig. 3

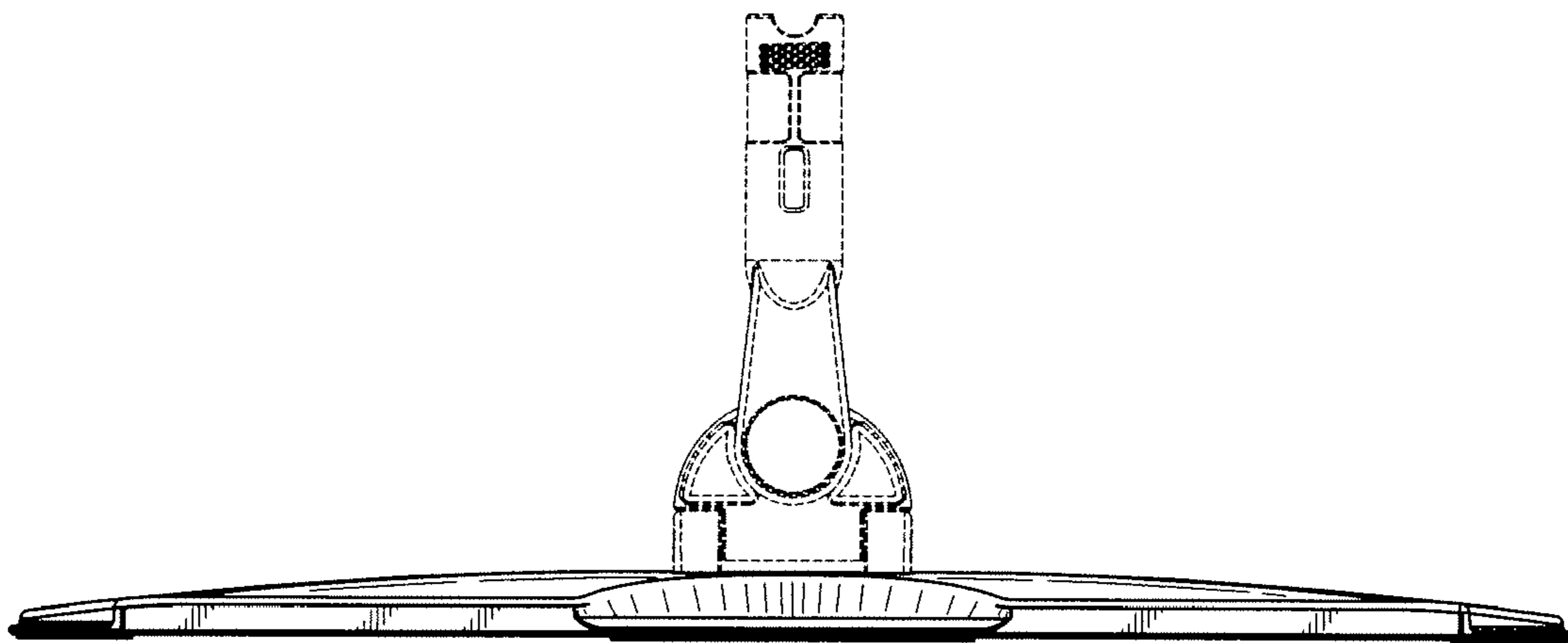


Fig. 4

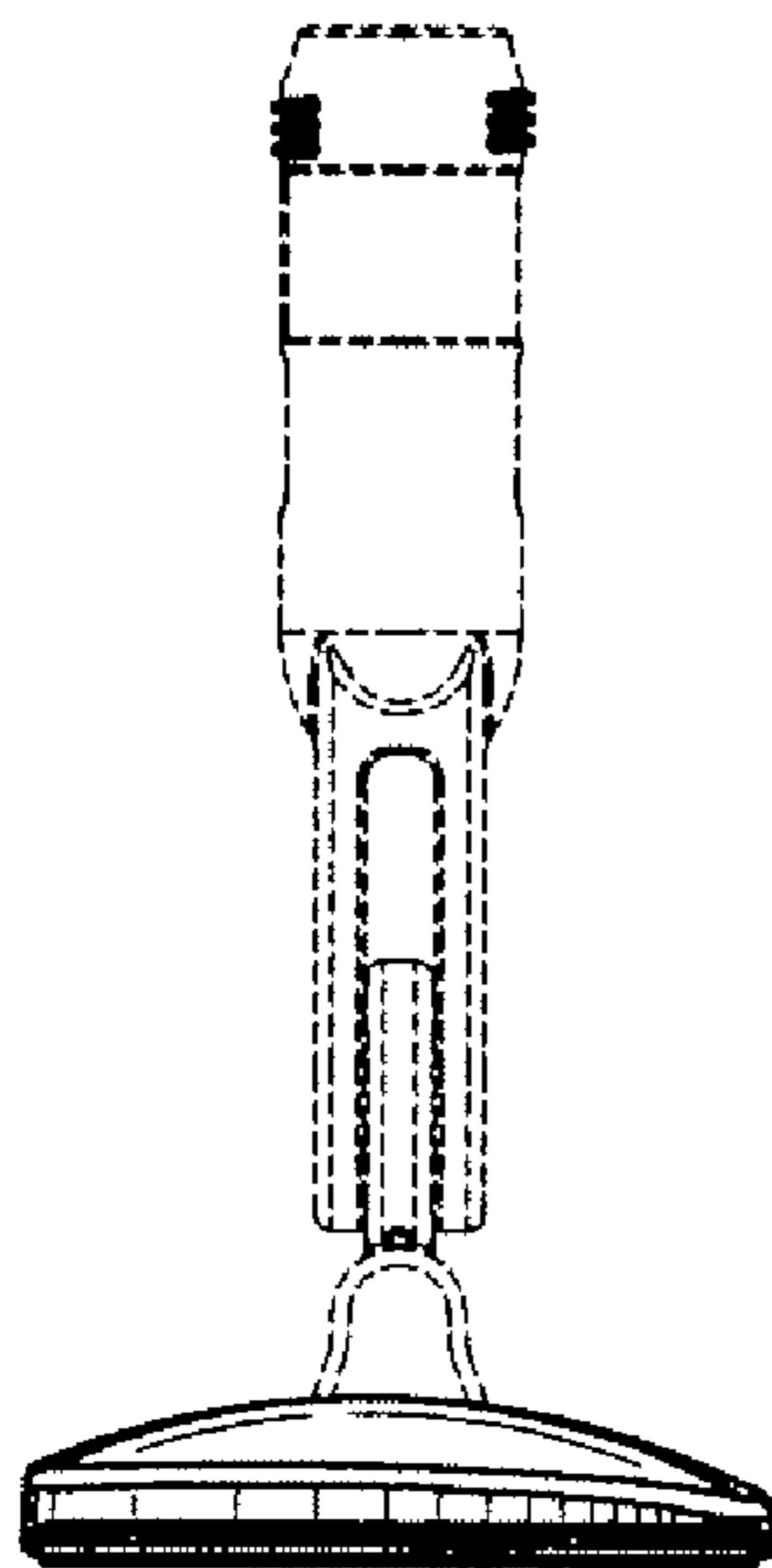


Fig. 5

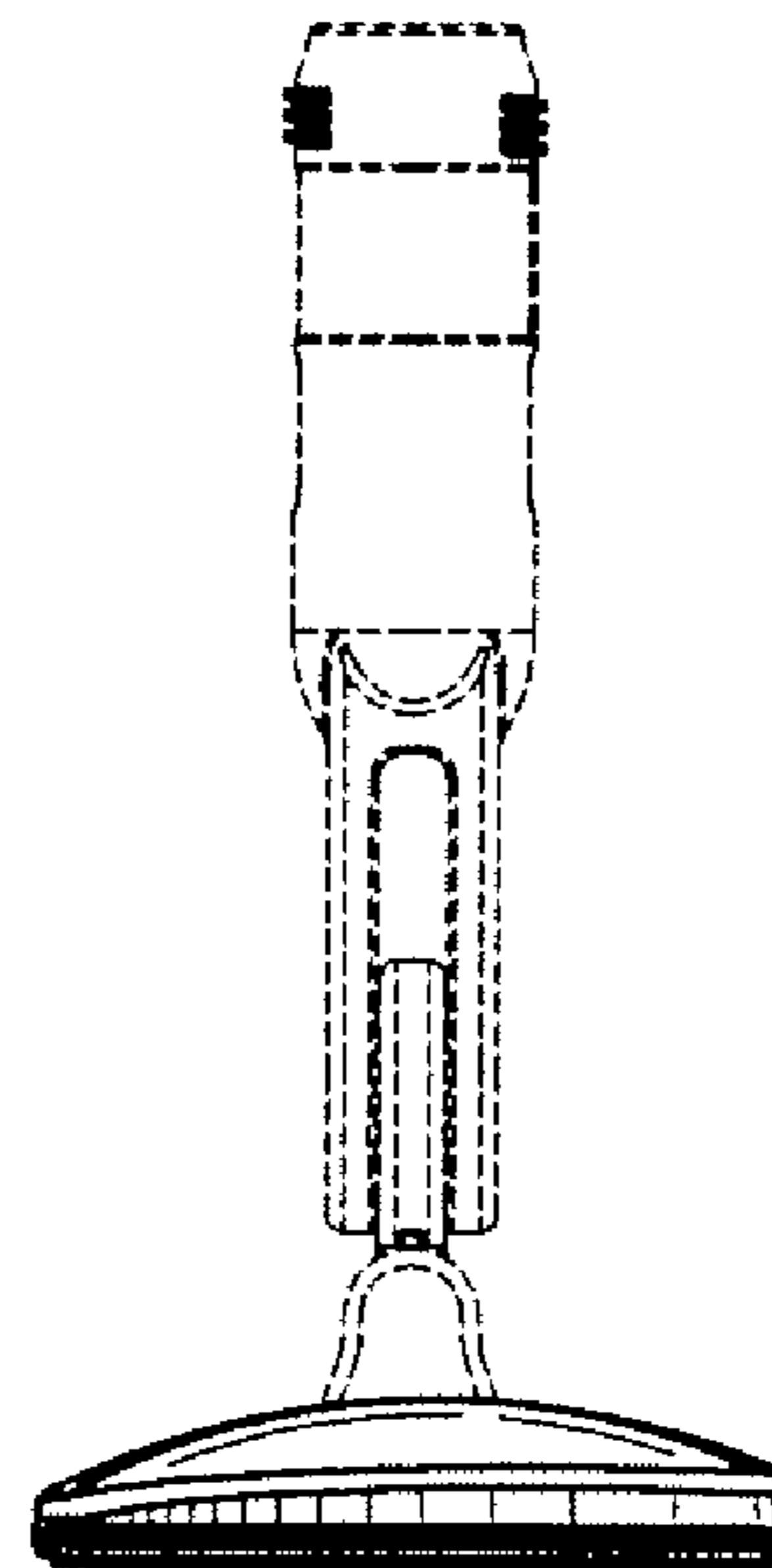


Fig. 6

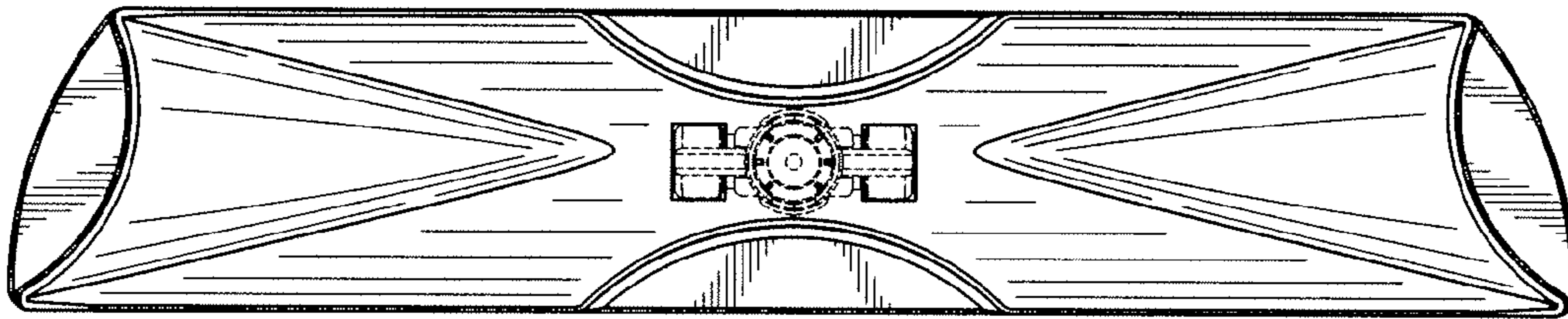


Fig. 7

