



US00D549911S

(12) **United States Design Patent** (10) **Patent No.:** **US D549,911 S**
Vinson et al. (45) **Date of Patent:** **** Aug. 28, 2007**

(54) **REAR SURFACE OF A CLEANING ARTICLE**

(75) Inventors: **Phillip Kyle Vinson**, Fairfield, OH (US); **Melissa Ann Kreuzer**, Fairfield, OH (US)

(73) Assignee: **The Procter & Gamble Company**, Cincinnati, OH (US)

(**) Term: **14 Years**

(21) Appl. No.: **29/227,803**

(22) Filed: **Apr. 15, 2005**

(51) **LOC (8) Cl.** **04-01**

(52) **U.S. Cl.** **D32/40**

(58) **Field of Classification Search** D4/120, D4/137; D6/608; D28/63, 8; D32/35, 40, D32/42, 46, 52; 2/158; 15/104.93, 104.94, 15/208, 209.1, 220.2, 223, 226-228, 229.1-229.4, 15/229.7-229.8, 231, 232, 233
See application file for complete search history.

(56) **References Cited**

U.S. PATENT DOCUMENTS

532,462 A *	1/1895	Humphrey	15/227
981,192 A *	1/1911	Hollingshead	15/227
1,736,209 A *	11/1929	Millard	2/20
1,815,320 A *	7/1931	Levitt	15/229.14
D206,997 S *	2/1967	Epstein	D32/40
D270,582 S *	9/1983	Pietrocola	D32/40
4,807,322 A *	2/1989	Littledeer	15/121
D303,725 S *	9/1989	Rojko et al.	D28/63
D307,198 S *	4/1990	Rojko et al.	D28/63

D307,199 S *	4/1990	Rojko et al.	D28/63
4,932,095 A *	6/1990	Kawase	15/227
5,010,617 A *	4/1991	Nelson	15/227
D381,772 S *	7/1997	Williams	D28/63
6,115,873 A *	9/2000	Dunkley	15/227
D485,647 S *	1/2004	Beyda	D29/119
7,146,676 B2 *	12/2006	Kubes et al.	15/244.1
2004/0244132 A1 *	12/2004	Ouellette et al.	15/227
2005/0120497 A1 *	6/2005	Lynde et al.	15/104.94

* cited by examiner

Primary Examiner—Alan P. Douglas

Assistant Examiner—Barbara Fox

(74) *Attorney, Agent, or Firm*—Jeffrey V. Bamber; Amy I. Ahn-Roll; Kim William Zerby

(57) **CLAIM**

The ornamental design for a rear surface of a cleaning article, as shown and described.

DESCRIPTION

FIG. 1 is an isometric view of a first embodiment of a rear surface of a cleaning article, embodying our new design;

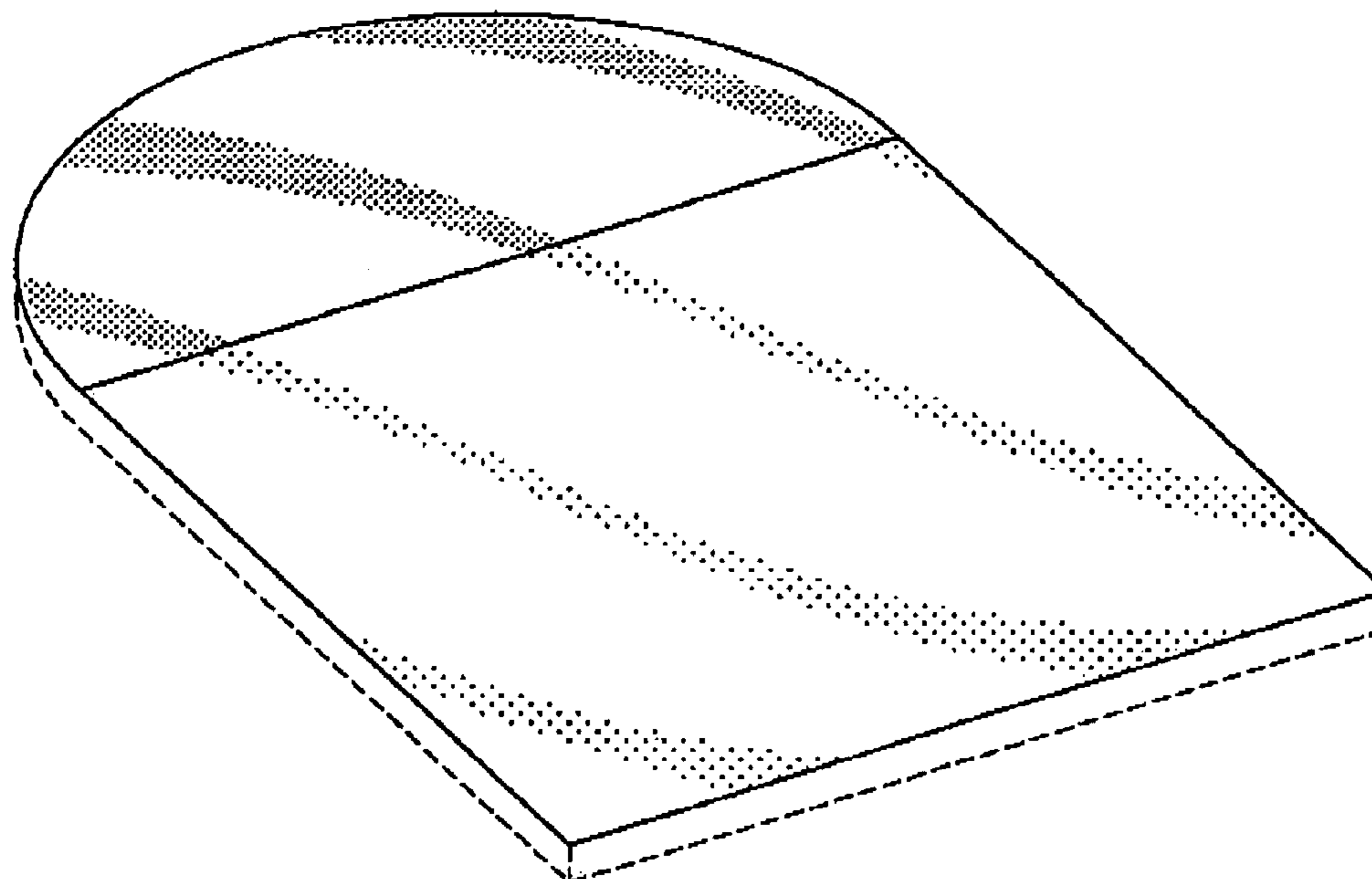
FIG. 2 is a plan view of the embodiment of FIG. 1;

FIG. 3 is a plan view of a second embodiment of a rear surface of a cleaning article, embodying our new design; and,

FIG. 4 is a plan view of a third embodiment of a rear surface of a cleaning article, embodying our new design.

No claim is made to those portions of the embodiments shown by broken lines.

1 Claim, 4 Drawing Sheets



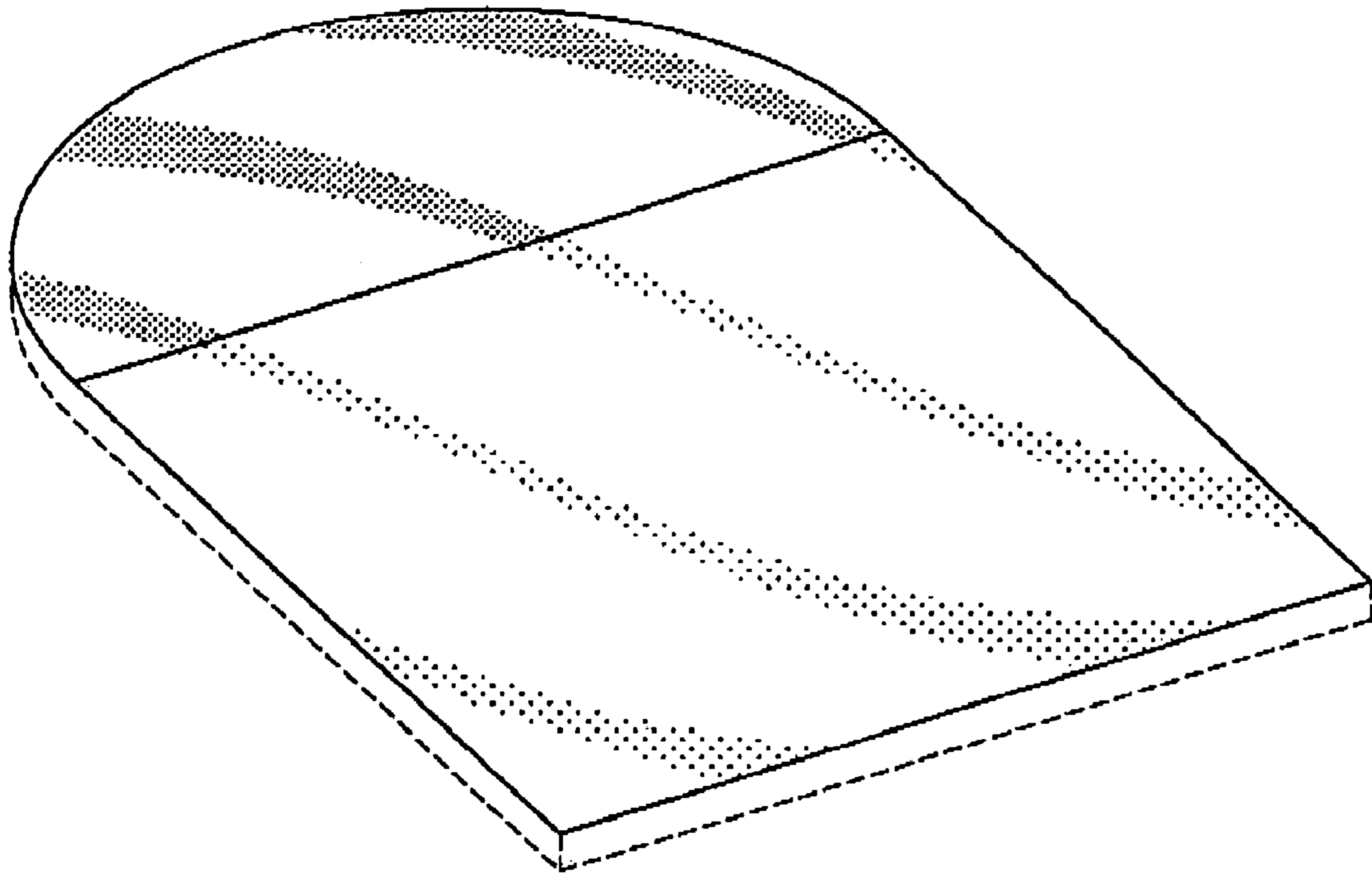


FIG. 1

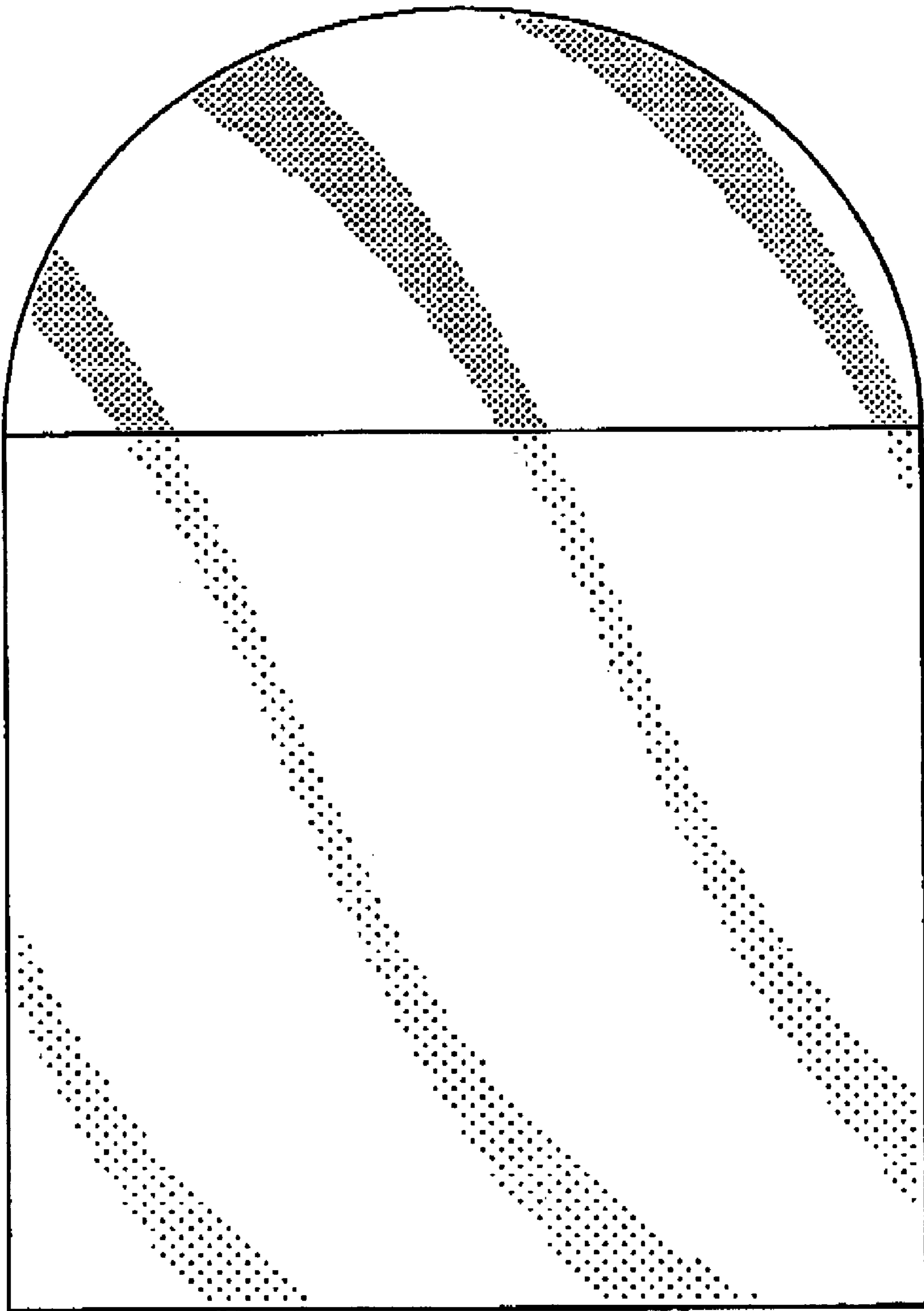


FIG. 2

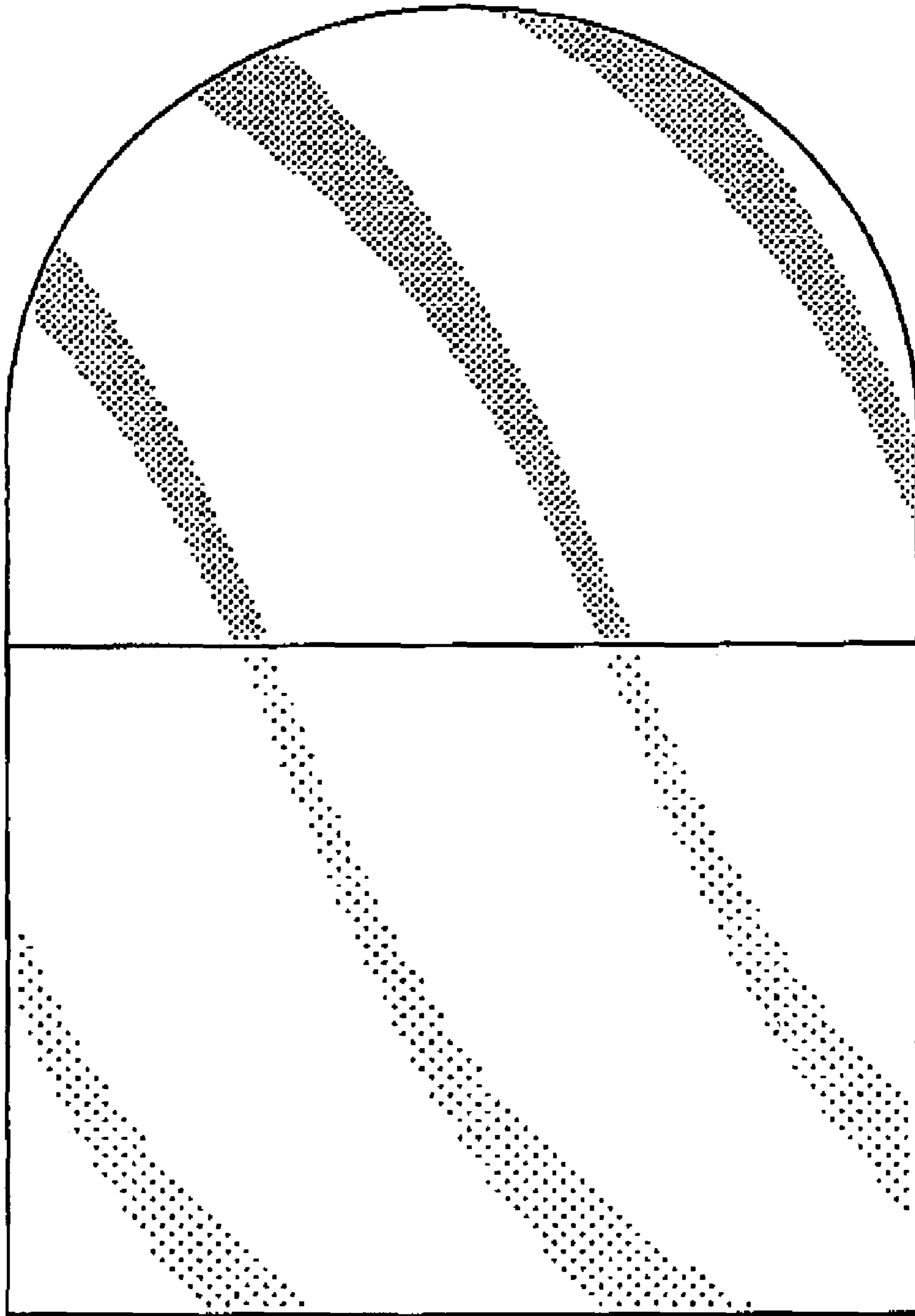


FIG. 3

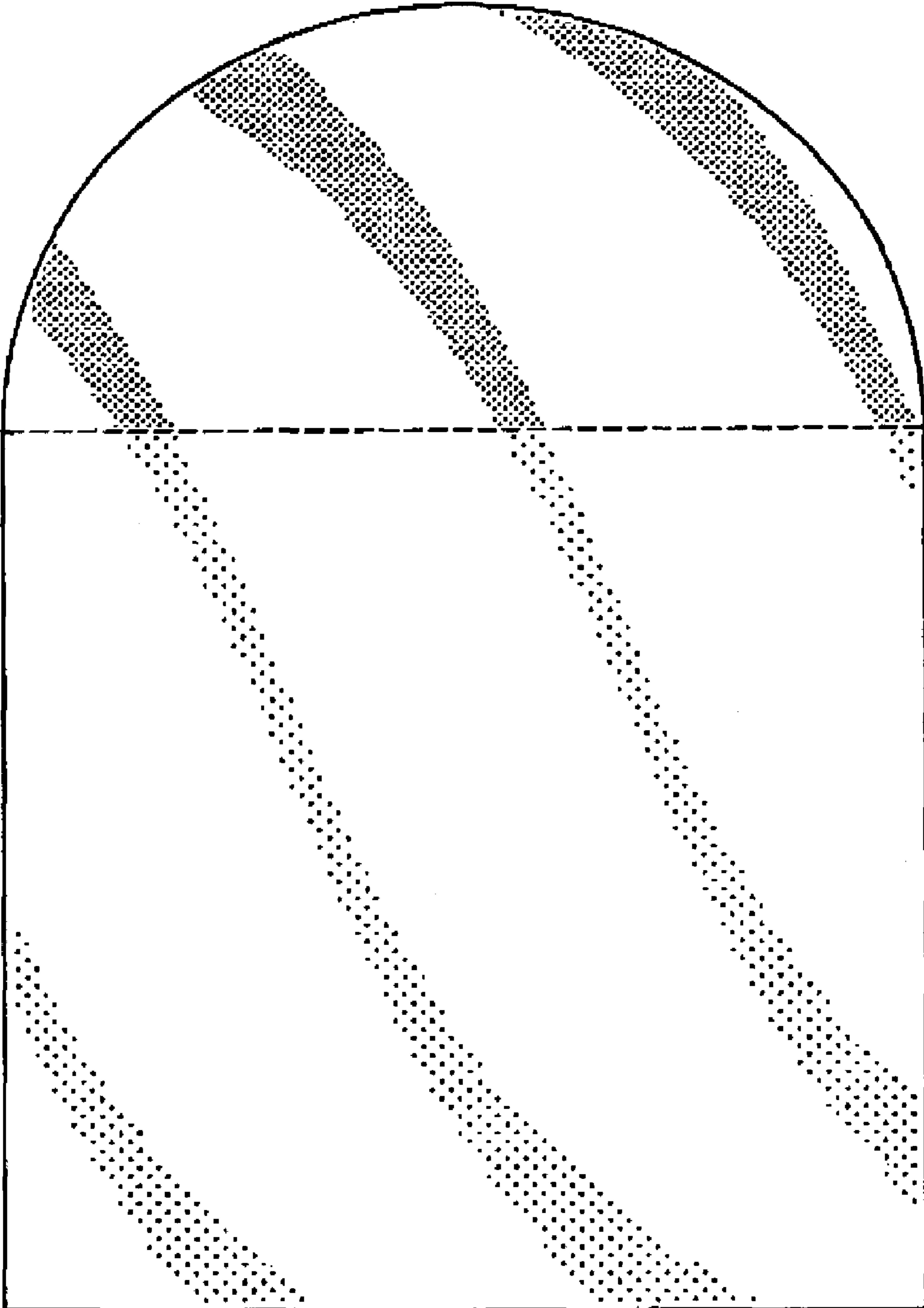


FIG. 4