

US00D549906S

(12) **United States Design Patent**
Rosenzweig

(10) **Patent No.:** **US D549,906 S**

(45) **Date of Patent:** **** Aug. 28, 2007**

(54) **SURFACE CLEANER**

(75) Inventor: **Mark Rosenzweig**, Chestnut Hill, MA
(US)

(73) Assignee: **Euro-Pro Corporation**, West Newton,
MA (US)

(**) Term: **14 Years**

(21) Appl. No.: **29/203,137**

(22) Filed: **Apr. 9, 2004**

(51) **LOC (8) Cl.** **15-05**

(52) **U.S. Cl.** **D32/38**

(58) **Field of Classification Search** D32/15,
D32/17, 18, 19, 21, 22, 25, 31, 32, 33, 38,
D32/39; 15/41.1, 42-44, 46, 48, 79.1, 342,
15/349, 364, 388

See application file for complete search history.

(56) **References Cited**

U.S. PATENT DOCUMENTS

D293,142 S *	12/1987	Kubota	D32/38
D352,809 S *	11/1994	Reath	D32/31
D412,380 S *	7/1999	Wareham	D32/32
D416,115 S *	11/1999	Rohn et al.	D32/32
D418,267 S *	12/1999	Lin	D32/32
6,012,200 A *	1/2000	Murphy et al.	15/347
D425,271 S *	5/2000	Roberts et al.	D32/31
D426,356 S *	6/2000	Tsuruha	D32/22
D440,019 S *	4/2001	Mehaffey et al.	D32/32
D444,277 S *	6/2001	Santiago	D32/31
D474,569 S *	5/2003	Archer et al.	D32/32
D475,823 S *	6/2003	Medema et al.	D32/32
D481,845 S *	11/2003	Leyden et al.	D32/32
D487,323 S *	3/2004	Leyden et al.	D32/22

D487,324 S *	3/2004	Santiago et al.	D32/32
D487,602 S *	3/2004	Roberts et al.	D32/32
D488,268 S *	4/2004	Chen	D32/15
D488,274 S *	4/2004	Leyden et al.	D32/31
7,013,521 B2 *	3/2006	Grey	15/42
2003/0188396 A1 *	10/2003	Hitzelberger et al.	15/351
2004/0181888 A1 *	9/2004	Tawara et al.	15/41.1

* cited by examiner

Primary Examiner—Alan P. Douglas

Assistant Examiner—Barbara Fox

(74) *Attorney, Agent, or Firm*—Womble Carlyle Sandridge
& Rice, PLLC

(57) **CLAIM**

The ornamental design for a surface cleaner, as shown and described.

DESCRIPTION

FIG. 1 is a right front perspective view of the surface cleaner according to my novel design;

FIG. 2 is a left front perspective view thereof;

FIG. 3 is a front view thereof;

FIG. 4 is a left side view thereof;

FIG. 5 is a right side view thereof;

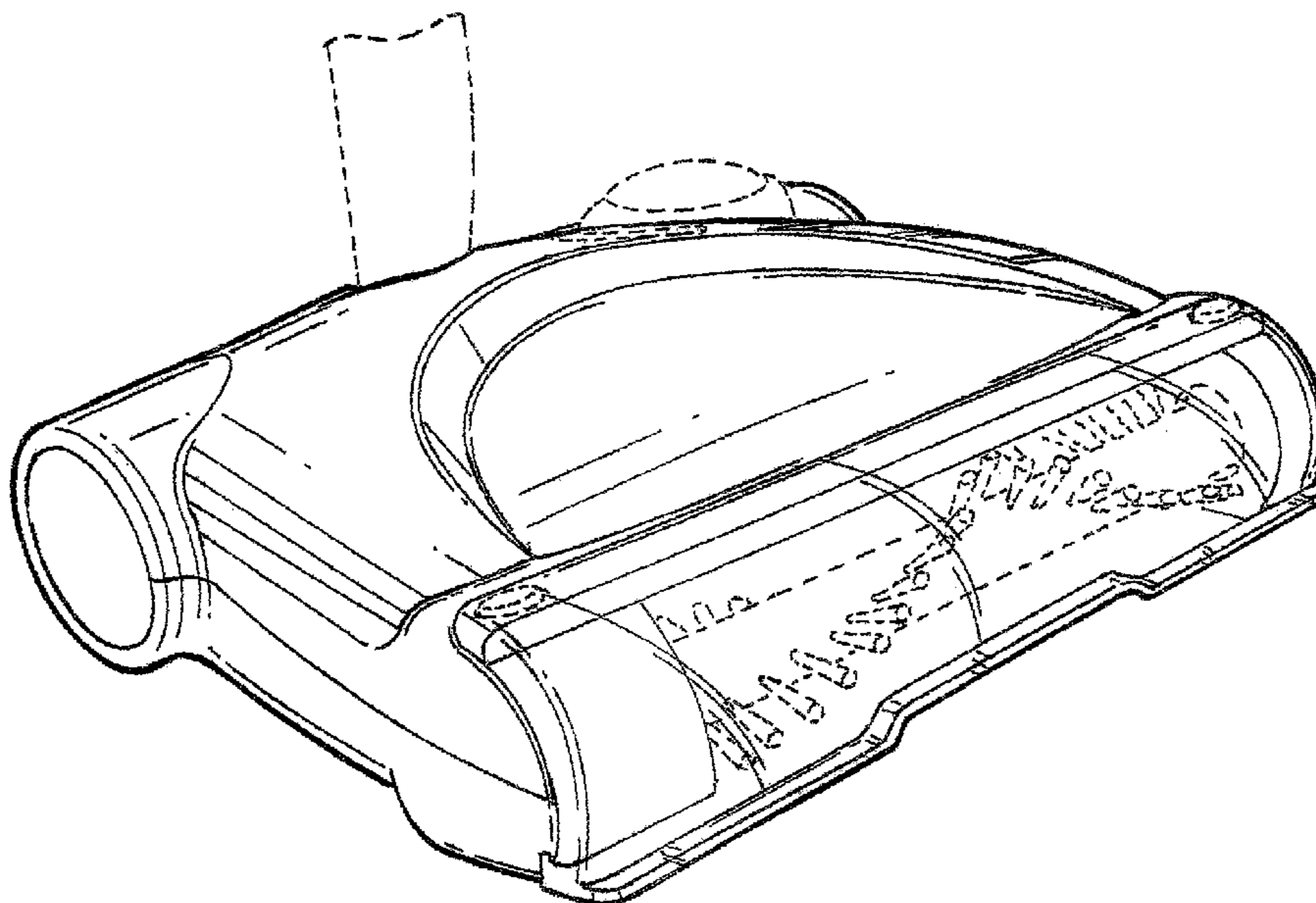
FIG. 6 is a top view thereof;

FIG. 7 is a rear view thereof; and,

FIG. 8 is a front perspective view thereof, including a handle in broken lines for illustrative purposes only.

The broken lines are for illustrative purposes only and form no part of the claimed design.

1 Claim, 5 Drawing Sheets



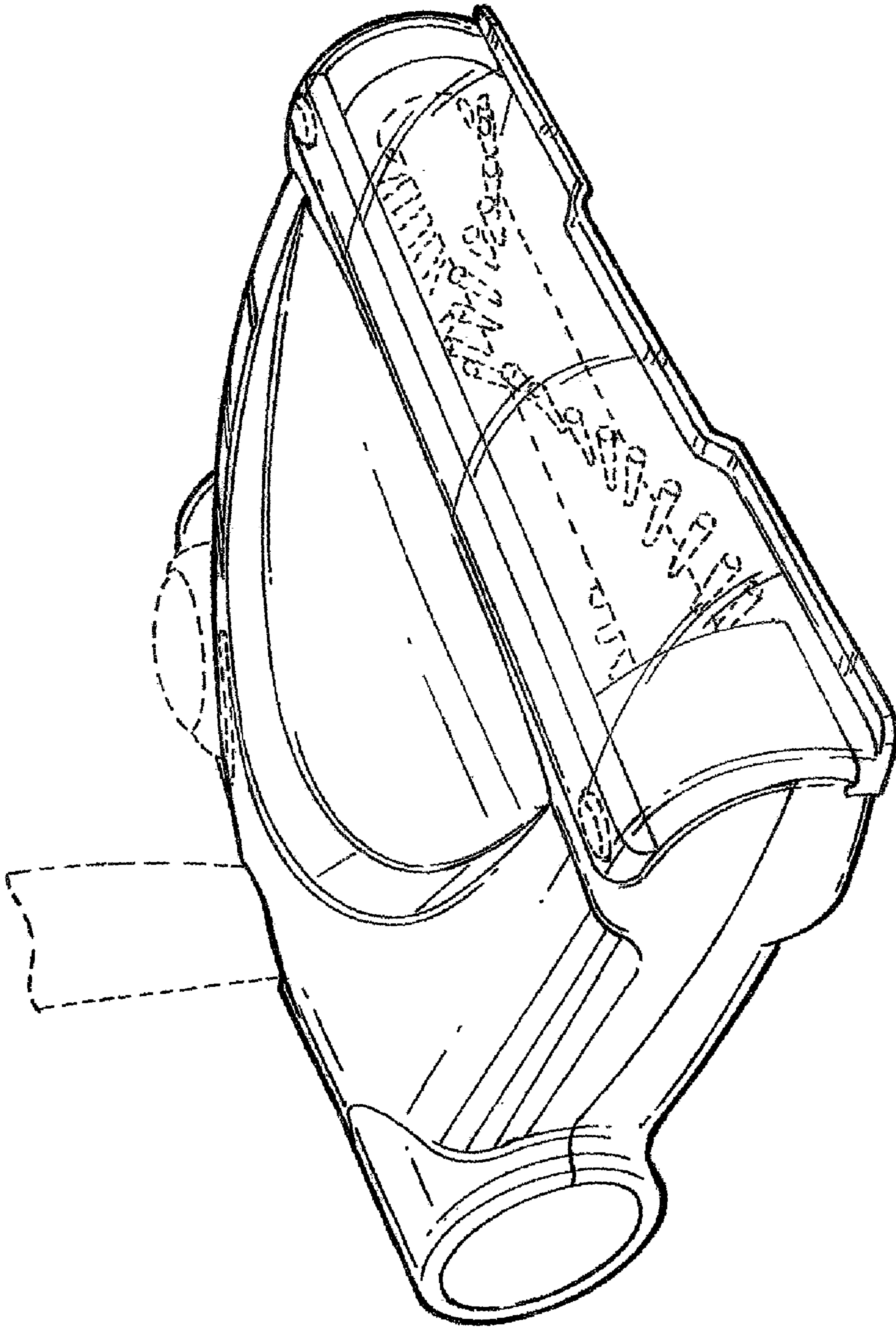


FIG. 1

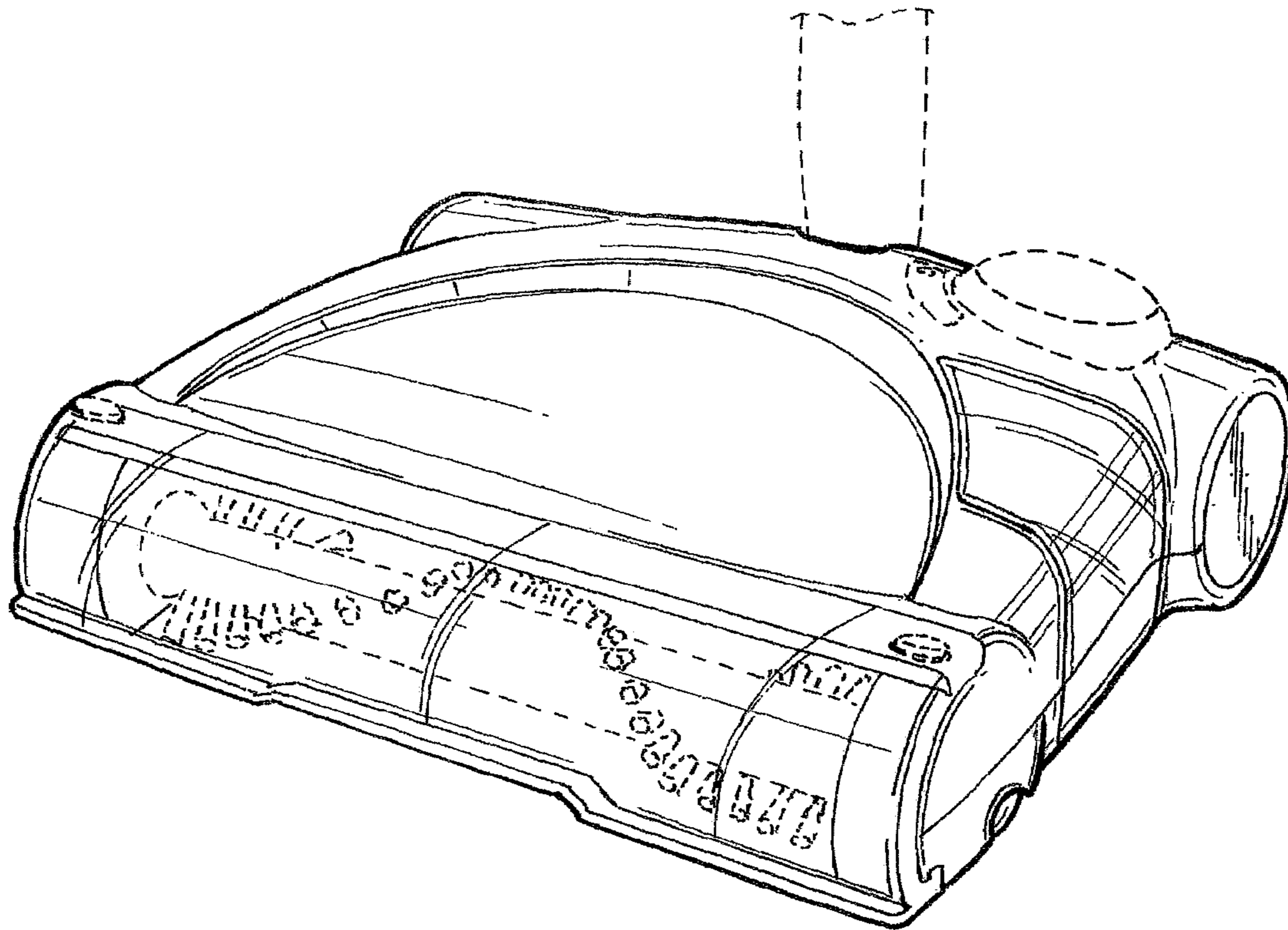


FIG. 2

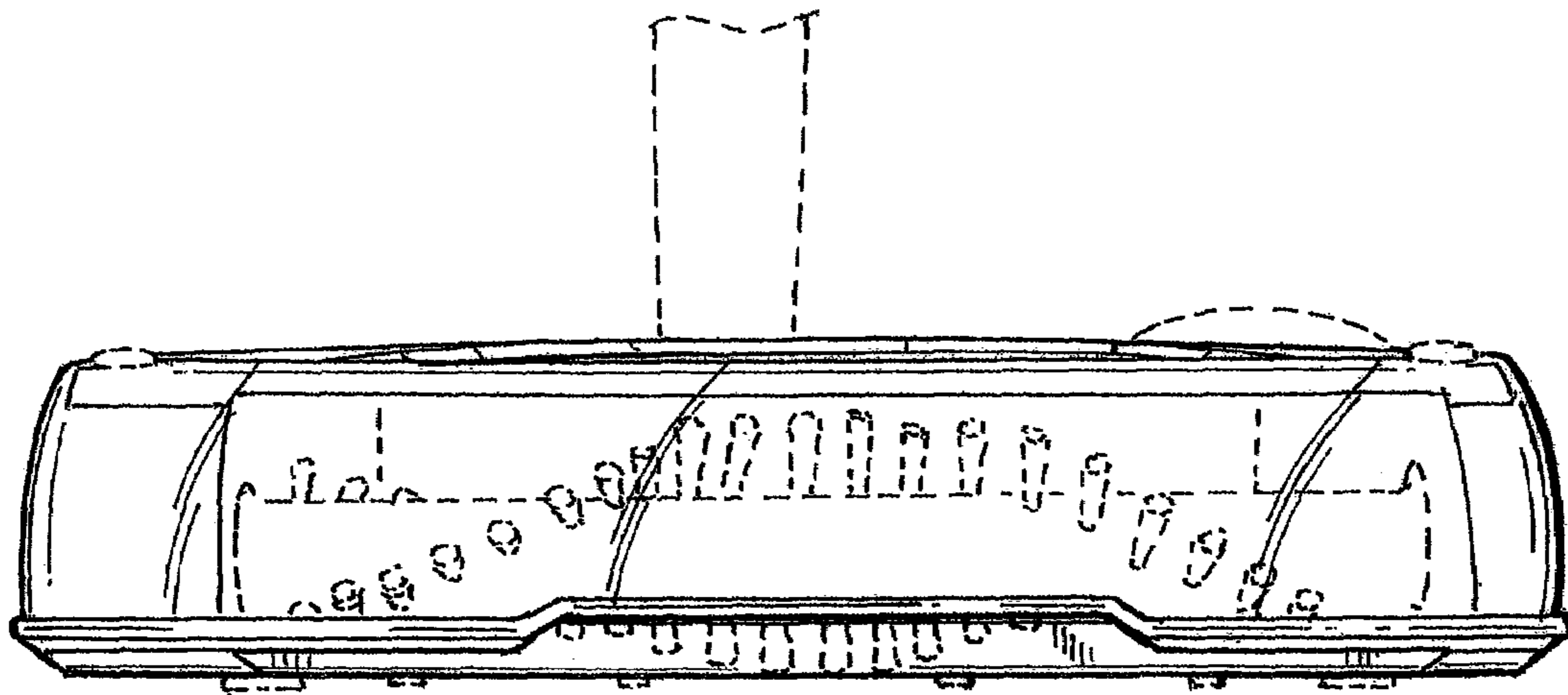


FIG. 3

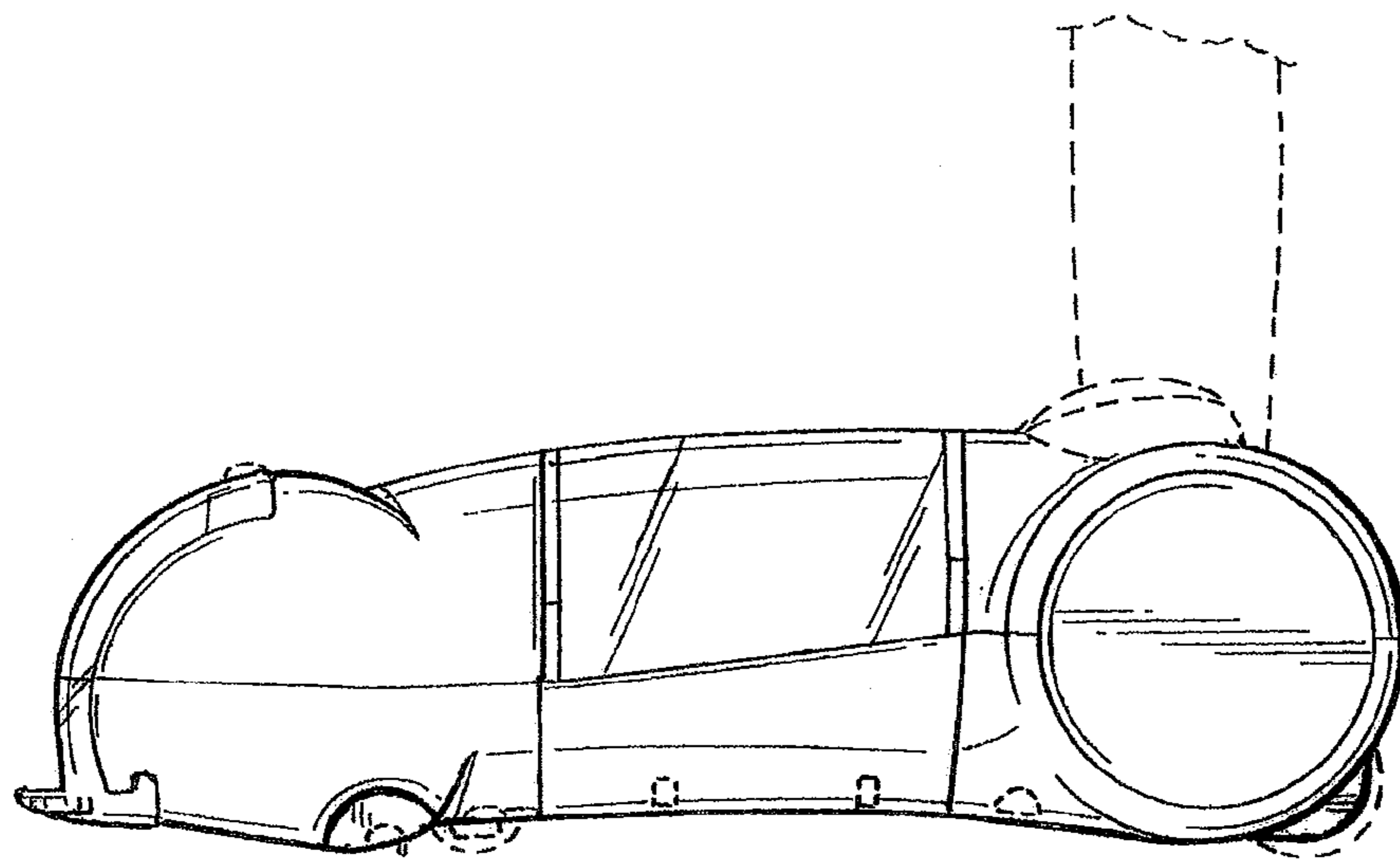


FIG. 4

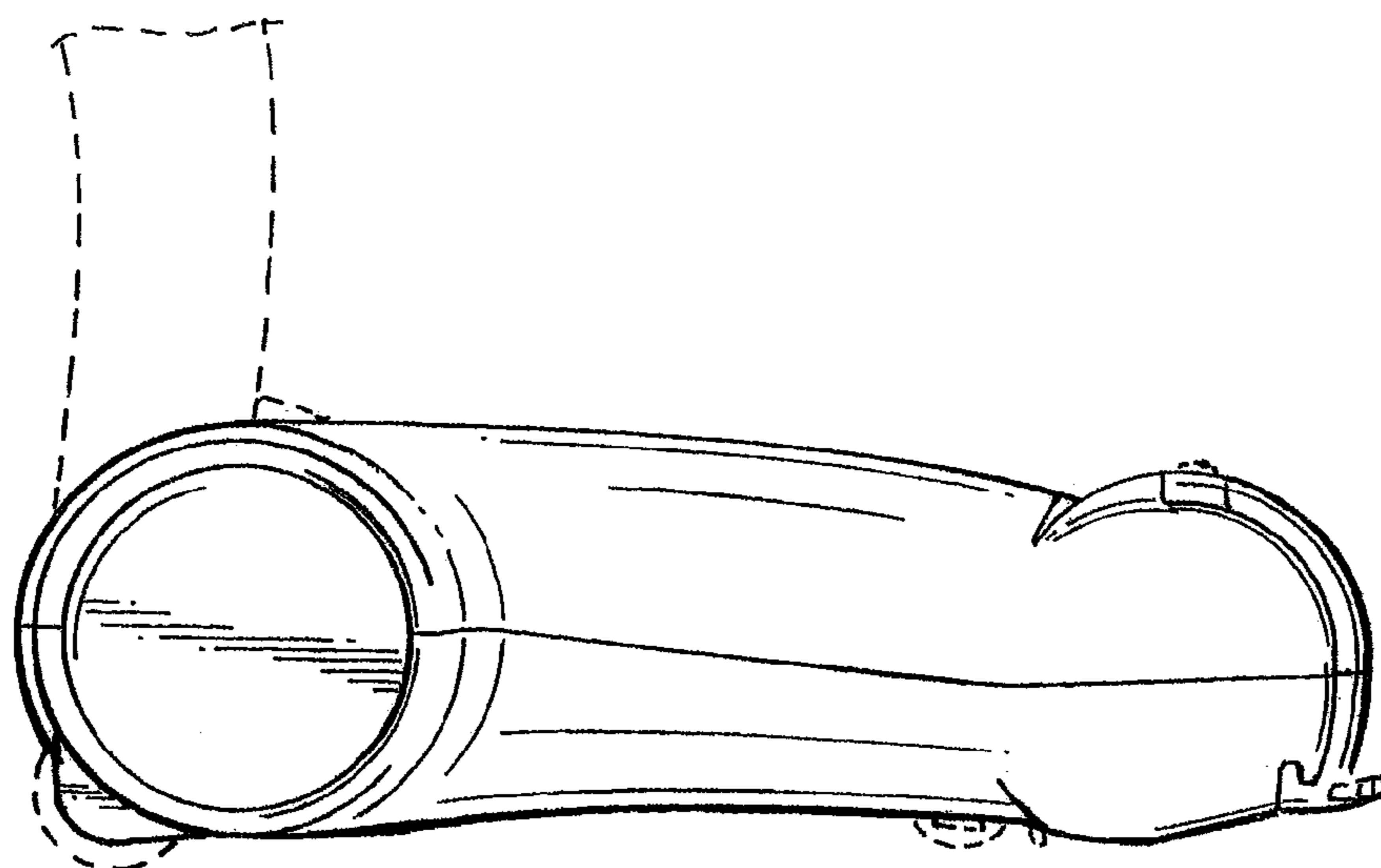


FIG. 5

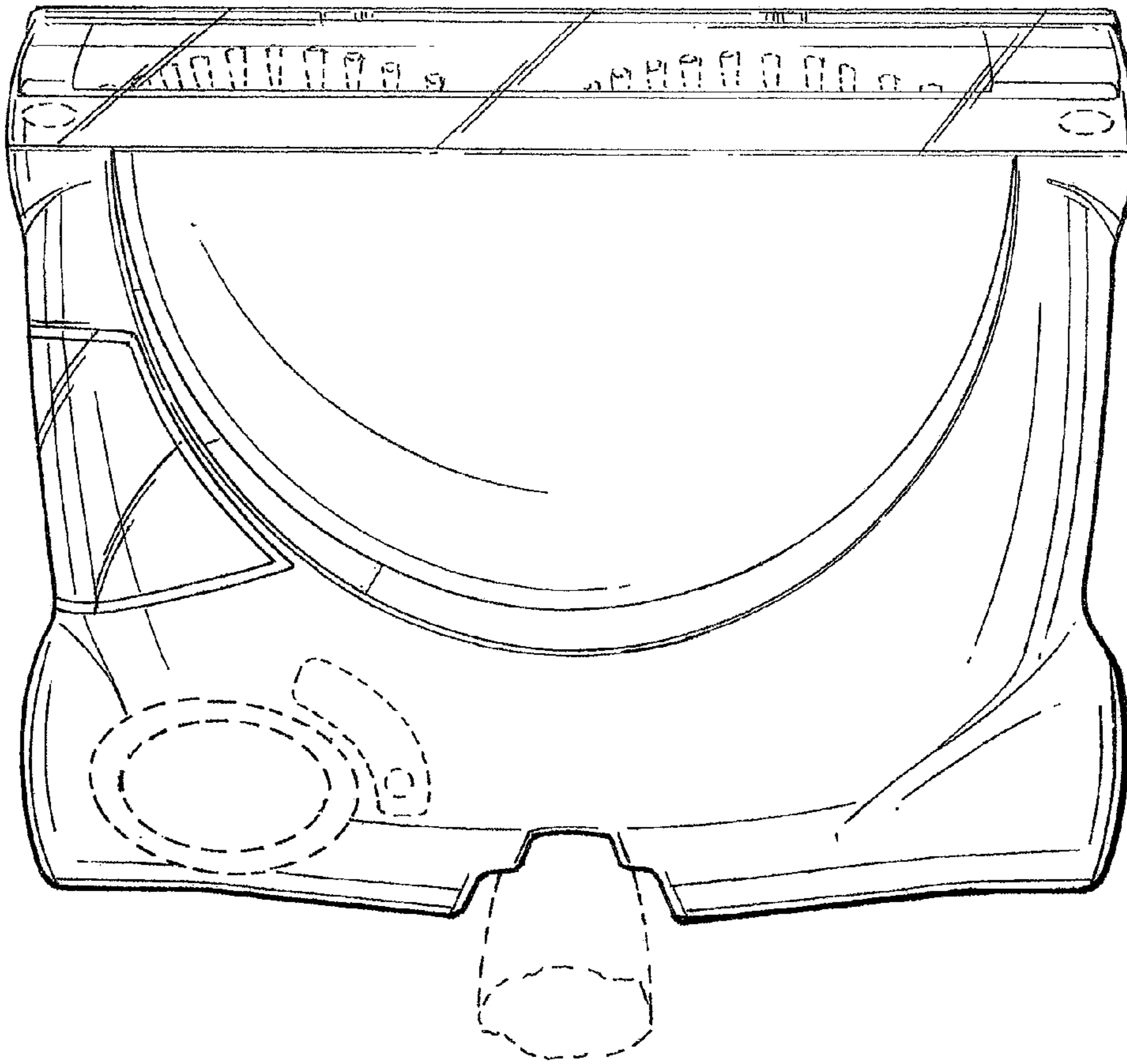


FIG. 6

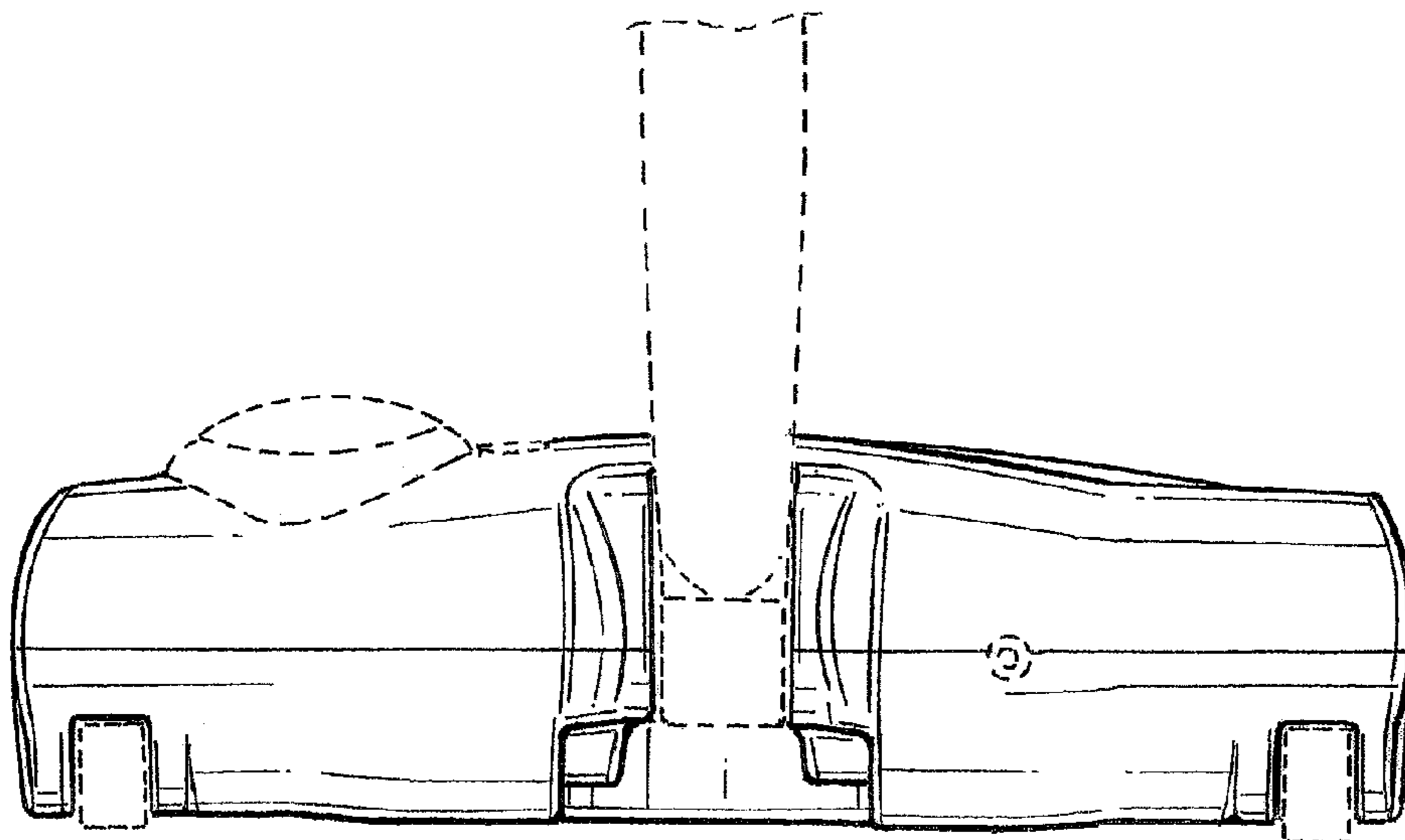


FIG. 7

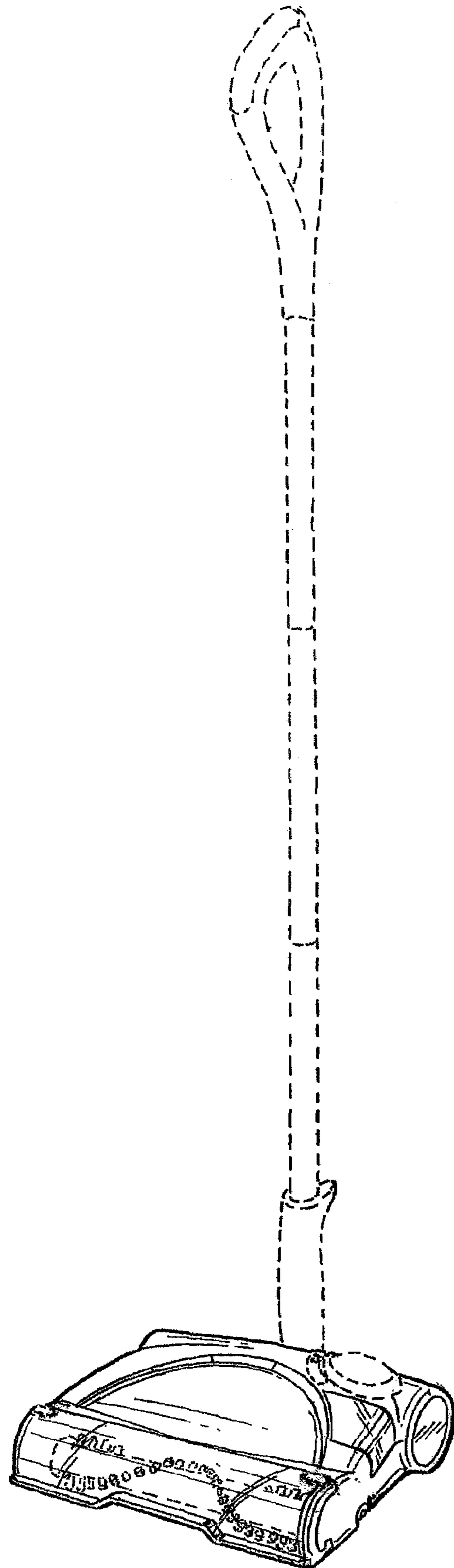


FIG. 8