



US00D549905S

(12) **United States Design Patent**
Bobrosky et al.

(10) **Patent No.:** **US D549,905 S**

(45) **Date of Patent:** **** Aug. 28, 2007**

(54) **HANDLE FOR A VACUUM CLEANER**

(75) Inventors: **Vincent Bobrosky**, Normal, IL (US);
Randall Sandlin, Bloomington, IL
(US); **Jeffrey Smith**, Bloomington, IL
(US)

(73) Assignee: **Electrolux Homecare Products, Ltd.**,
Cleveland, OH (US)

(**) Term: **14 Years**

(21) Appl. No.: **29/264,785**

(22) Filed: **Aug. 18, 2006**

(51) **LOC (8) Cl.** **15-05**

(52) **U.S. Cl.** **D32/34**

(58) **Field of Classification Search** D32/21-23,
D32/31, 15-16, 30; 15/320, 327.1, 327.2,
15/327.6, 327.7, 328-329, 331, 344, 350-353,
15/361, 410-411, DIG. 10; 55/DIG. 3, 337,
55/345, 429, 447; 95/271; 210/512.1; 16/429,
16/114.1, DIG. 19, 419; D8/307-308

See application file for complete search history.

(56) **References Cited**

U.S. PATENT DOCUMENTS

1,939,579 A	12/1933	Swartz
D218,550 S	9/1970	Friedman
D238,849 S	2/1976	Jones
D294,988 S	3/1988	Goodrich
D305,373 S	1/1990	Yamamoto et al.
5,016,315 A	5/1991	Bledsoe et al.
D345,830 S	4/1994	Furcron et al.
D364,014 S	11/1995	Langeland et al.
5,542,147 A	8/1996	Merten
5,651,581 A	7/1997	Myers et al.
5,839,160 A	11/1998	Wang et al.
D405,569 S	2/1999	Rowley et al.
5,887,315 A	3/1999	Rogers

5,996,175 A	12/1999	Fusco
D424,261 S	5/2000	Embree et al.
D426,038 S	5/2000	Essex et al.
D426,357 S	6/2000	Tsuruha et al.
D428,539 S	7/2000	Embree et al.
6,082,376 A	7/2000	Karr et al.
D429,041 S	8/2000	Medema et al.

(Continued)

FOREIGN PATENT DOCUMENTS

DE	20205382	9/2002
EP	1127529	12/2000
GB	2318279	4/1998

Primary Examiner—Ruth McInroy

(74) Attorney, Agent, or Firm—Hunton & Williams

(57) **CLAIM**

We claim the ornamental design for a handle for a vacuum cleaner, as shown and described.

DESCRIPTION

FIG. 1 is a rear isometric view of a handle for a vacuum cleaner showing the claimed design;

FIG. 2 is a front isometric view of the handle for a vacuum cleaner;

FIG. 3 is a rear view of the handle for a vacuum cleaner;

FIG. 4 is a bottom view of the handle for a vacuum cleaner;

FIG. 5 is a front view of the handle for a vacuum cleaner;

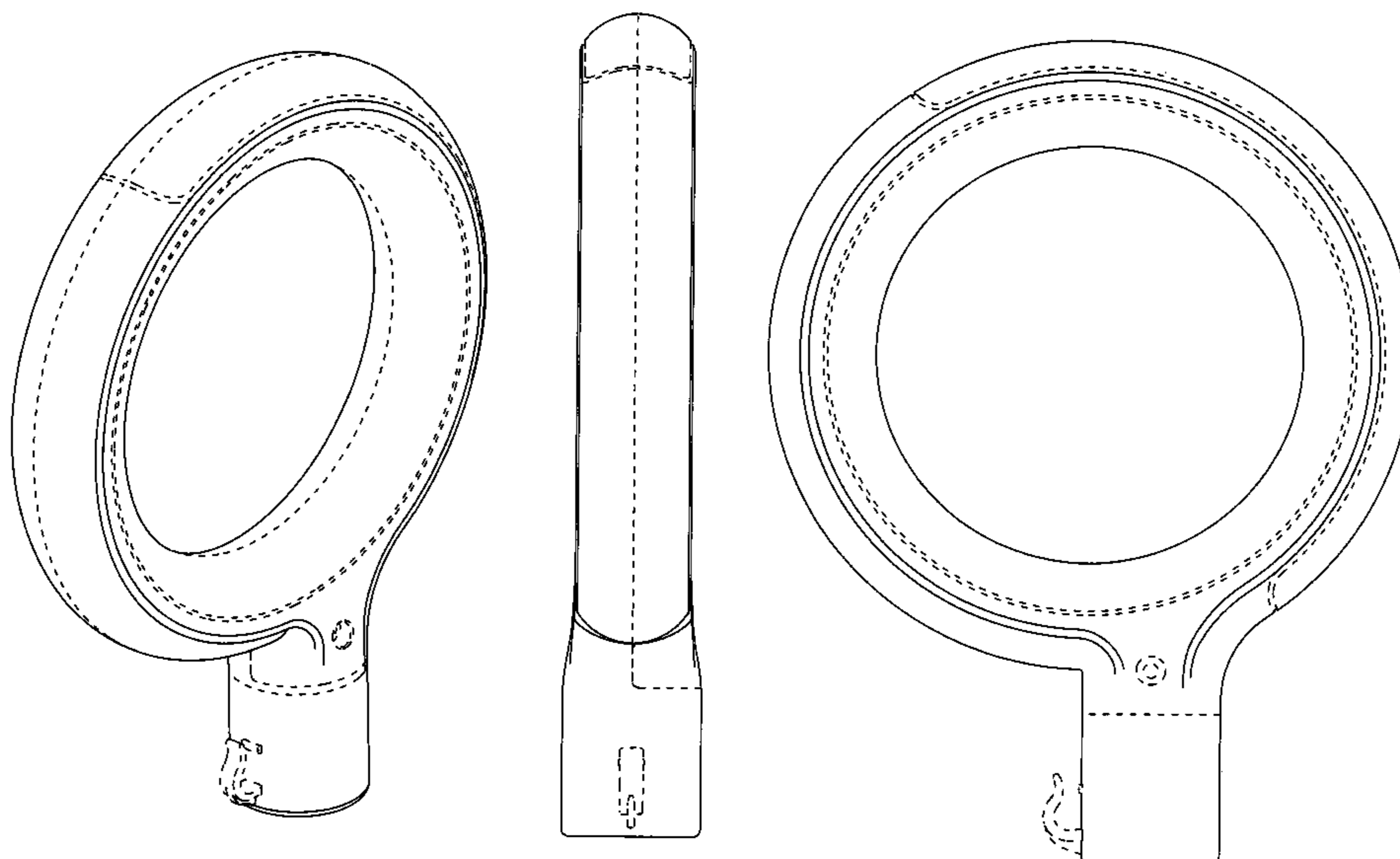
FIG. 6 is a left view of the handle for a vacuum cleaner;

FIG. 7 is a right view of the handle for a vacuum cleaner; and,

FIG. 8 is a top view of the handle for a vacuum cleaner.

The details shown in broken lines form no part of the claimed design.

1 Claim, 8 Drawing Sheets



US D549,905 S

Page 2

U.S. PATENT DOCUMENTS						
			6,484,349	B1	11/2002	Paterson et al.
			6,484,352	B2	11/2002	Huebsch et al.
			6,766,559	B2	7/2004	Roney et al.
			D524,498	S	7/2006	Luebbering et al.
			D525,400	S *	7/2006	Luebbering et al. D32/34
			D531,770	S *	11/2006	Luebbering et al. D32/22
			2004/0111826	A1	6/2004	Grey
			2004/0237246	A1	12/2004	Nam et al.
			2005/0076467	A1	4/2005	Stephens et al.
			2005/0210627	A1	9/2005	Luebbering et al.
						* cited by examiner
D429,395	S	8/2000	Kiern et al.			
D435,153	S	12/2000	Paterson et al.			
D435,323	S	12/2000	Paterson et al.			
D435,324	S	12/2000	Paterson et al.			
D435,709	S	12/2000	Paterson et al.			
D435,947	S	1/2001	Paterson et al.			
D436,426	S	1/2001	Paterson et al.			
D443,121	S *	5/2001	Hamm et al. D32/34			
D446,612	S	8/2001	Kohler			
D450,897	S	11/2001	Paterson et al.			
6,311,366	B1	11/2001	Sepke et al.			

FIG. 1

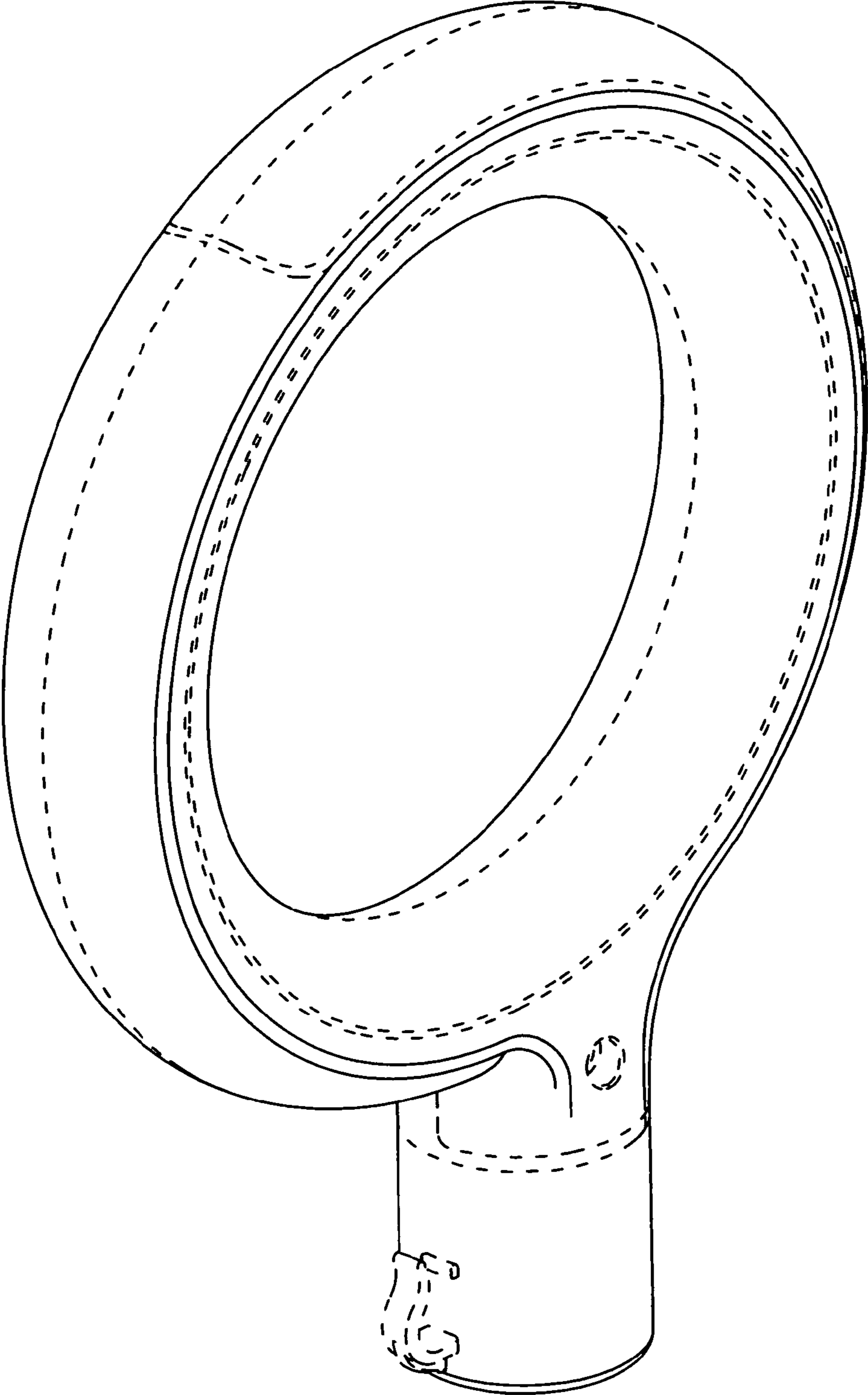


FIG. 2

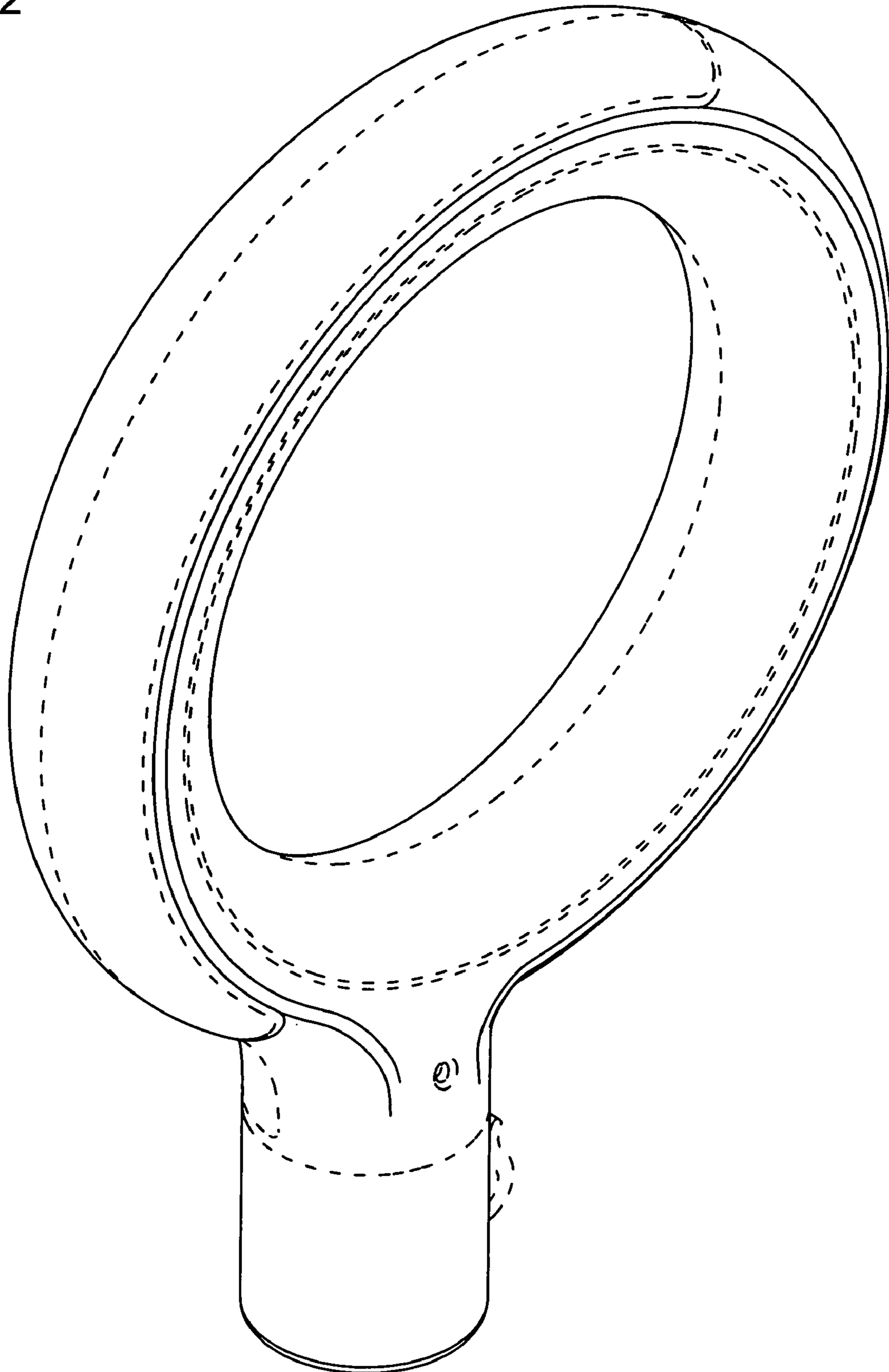


FIG. 3

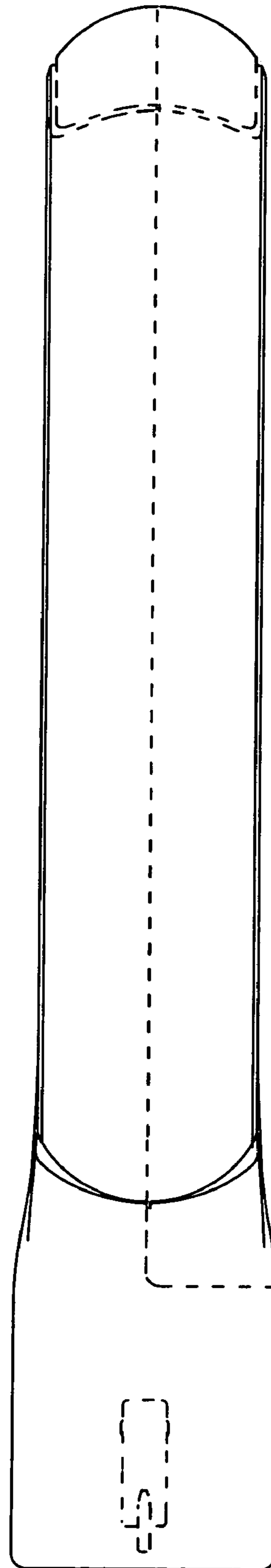


FIG. 4

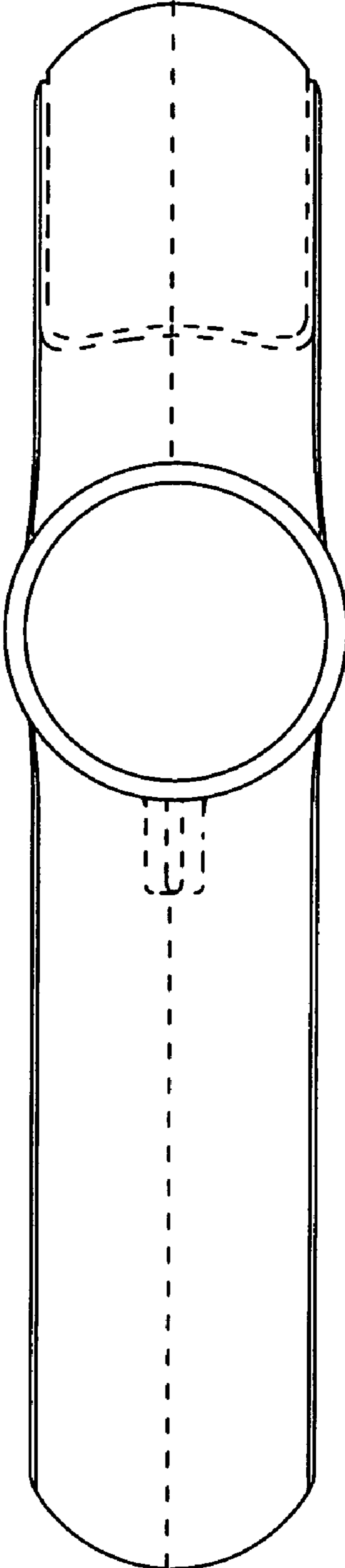


FIG. 5

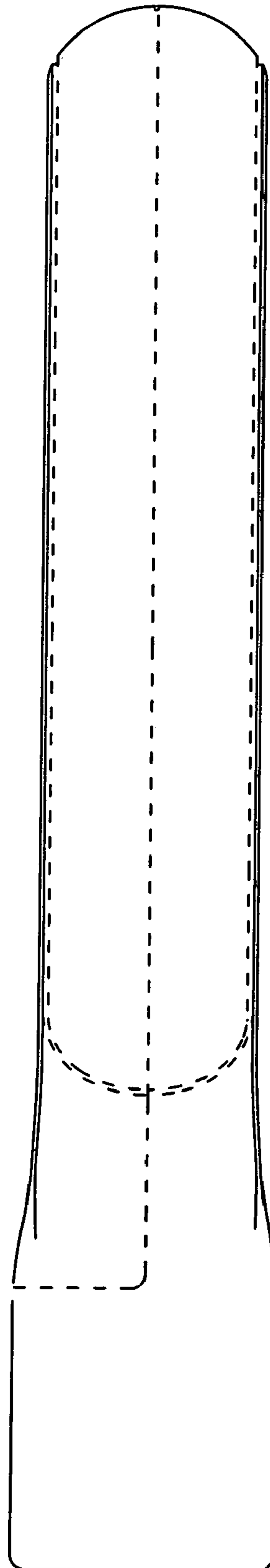


FIG. 6

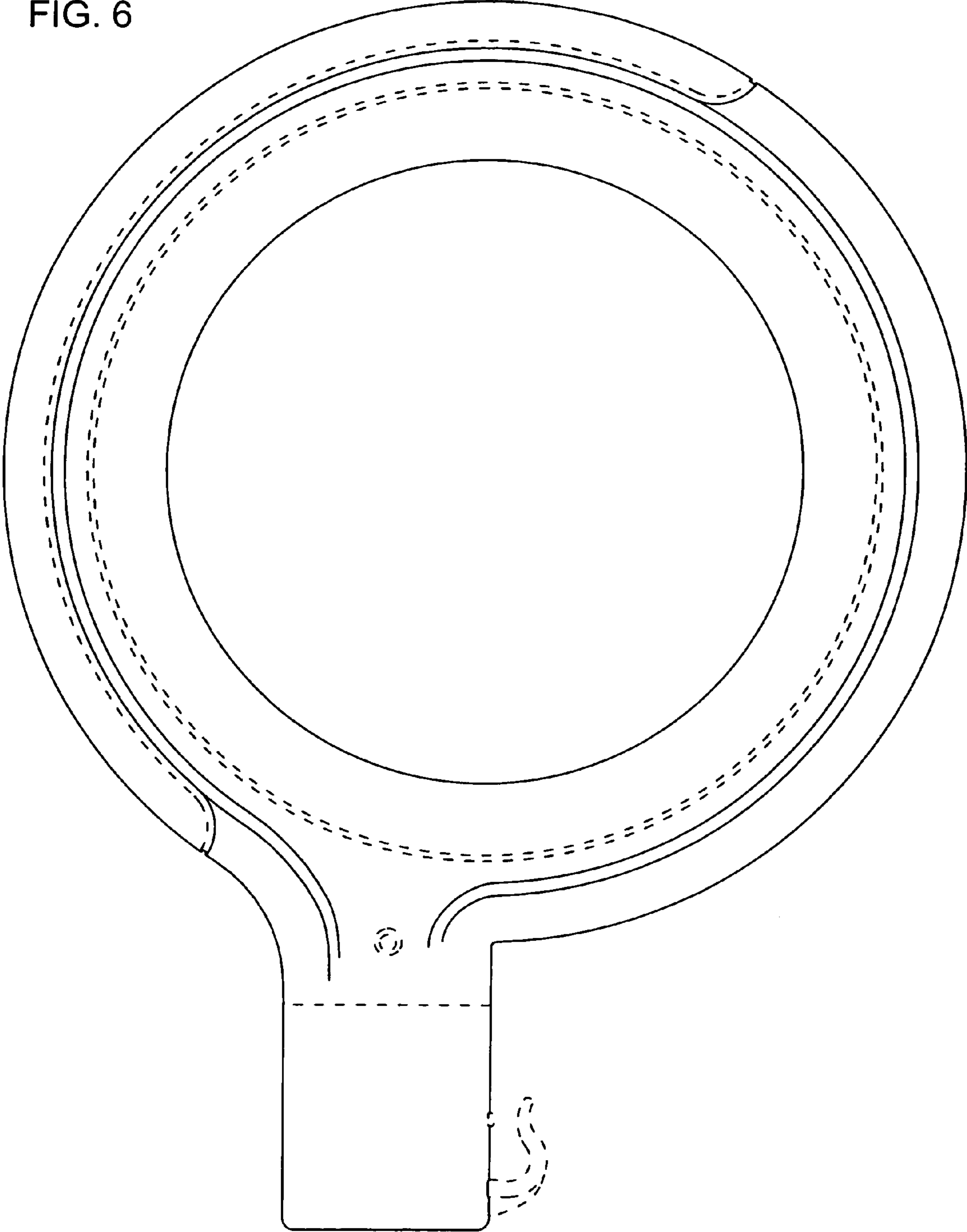


FIG. 7

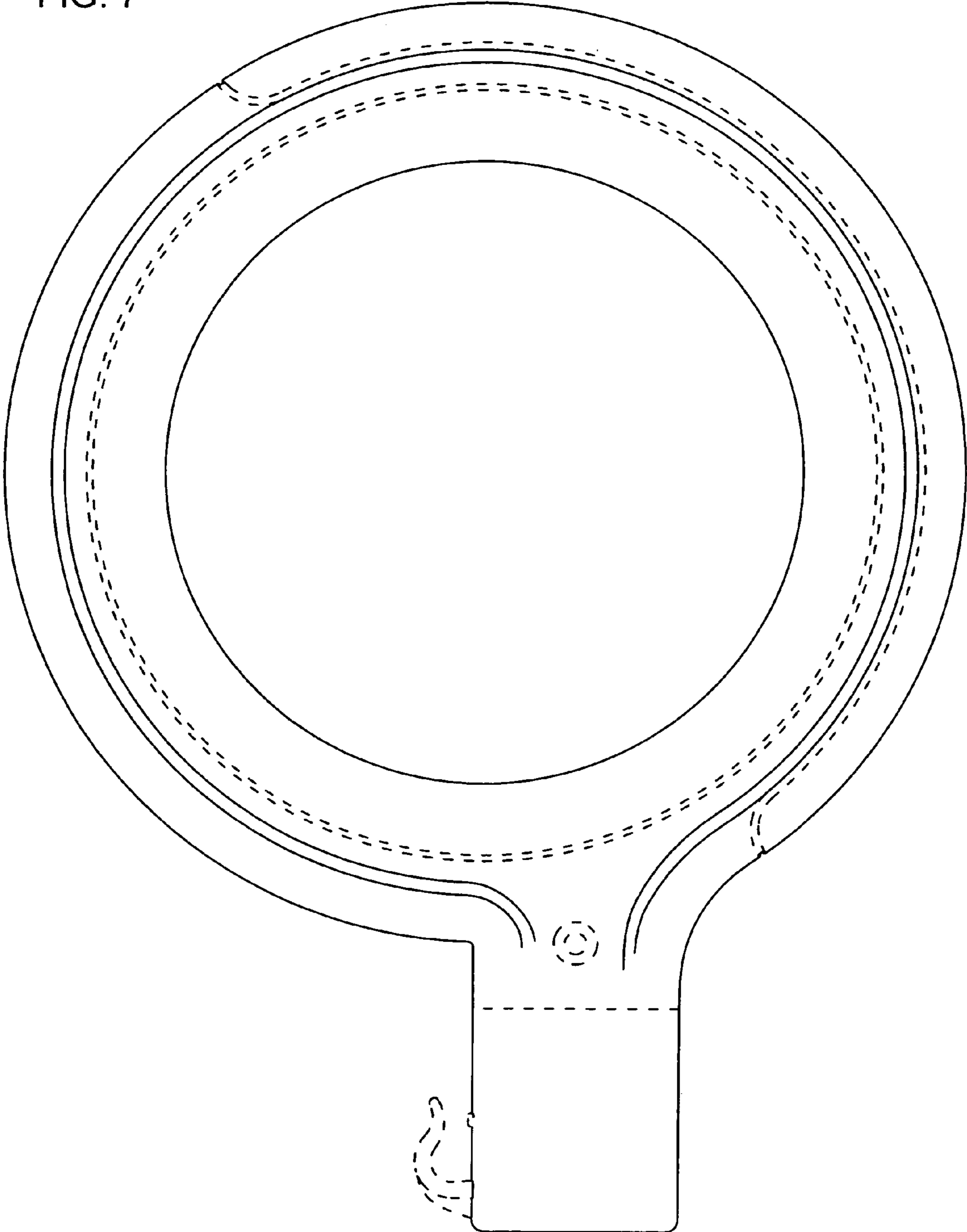


FIG. 8

