

US00D549904S

(12) **United States Design Patent**  
**Eccardt et al.**

(10) **Patent No.: US D549,904 S**

(45) **Date of Patent: \*\* Aug. 28, 2007**

(54) **VACUUM APPLIANCE**

(75) Inventors: **Curtis J. Eccardt**, Defiance, MO (US);  
**Kiyoshi Hoshino**, Chesterfield, MO  
(US)

(73) Assignee: **Emerson Electric Co.**, St. Louis, MO  
(US)

(\*\*) Term: **14 Years**

(21) Appl. No.: **29/247,840**

(22) Filed: **Jul. 14, 2006**

(51) **LOC (8) Cl. .... 15-05**

(52) **U.S. Cl. .... D32/21**

(58) **Field of Classification Search** ..... D32/21,  
D32/23-24, 31; 15/257.01, 301, 315, 320-321,  
15/323, 327.1-327.4, 327.6-327.7, 329,  
15/336, 347, 352-353, 412; 55/337, 429,  
55/345; 95/271; 210/512.1, 512.2; 211/87.01,  
211/13.1

See application file for complete search history.

(56) **References Cited**

**U.S. PATENT DOCUMENTS**

D467,693 S \* 12/2002 Kitts ..... D32/21  
D478,196 S \* 8/2003 Kim et al. .... D32/22

D496,764 S \* 9/2004 Lopano ..... D32/21  
D520,689 S \* 5/2006 Eccardt et al. .... D32/21  
D528,718 S \* 9/2006 Tomasiak et al. .... D32/21  
D537,579 S \* 2/2007 Zimmerle et al. .... D32/21  
D537,581 S \* 2/2007 Zimmerle et al. .... D32/21  
D539,491 S \* 3/2007 Kim ..... D32/21

\* cited by examiner

*Primary Examiner*—Ruth McInroy

(74) *Attorney, Agent, or Firm*—Locke Liddell & Sapp PLLC

(57) **CLAIM**

The ornamental design for a vacuum appliance, as shown and described.

**DESCRIPTION**

FIG. 1 is a perspective view of a vacuum appliance showing our new design;

FIG. 2 is a front view.

FIG. 3 is a rear view.

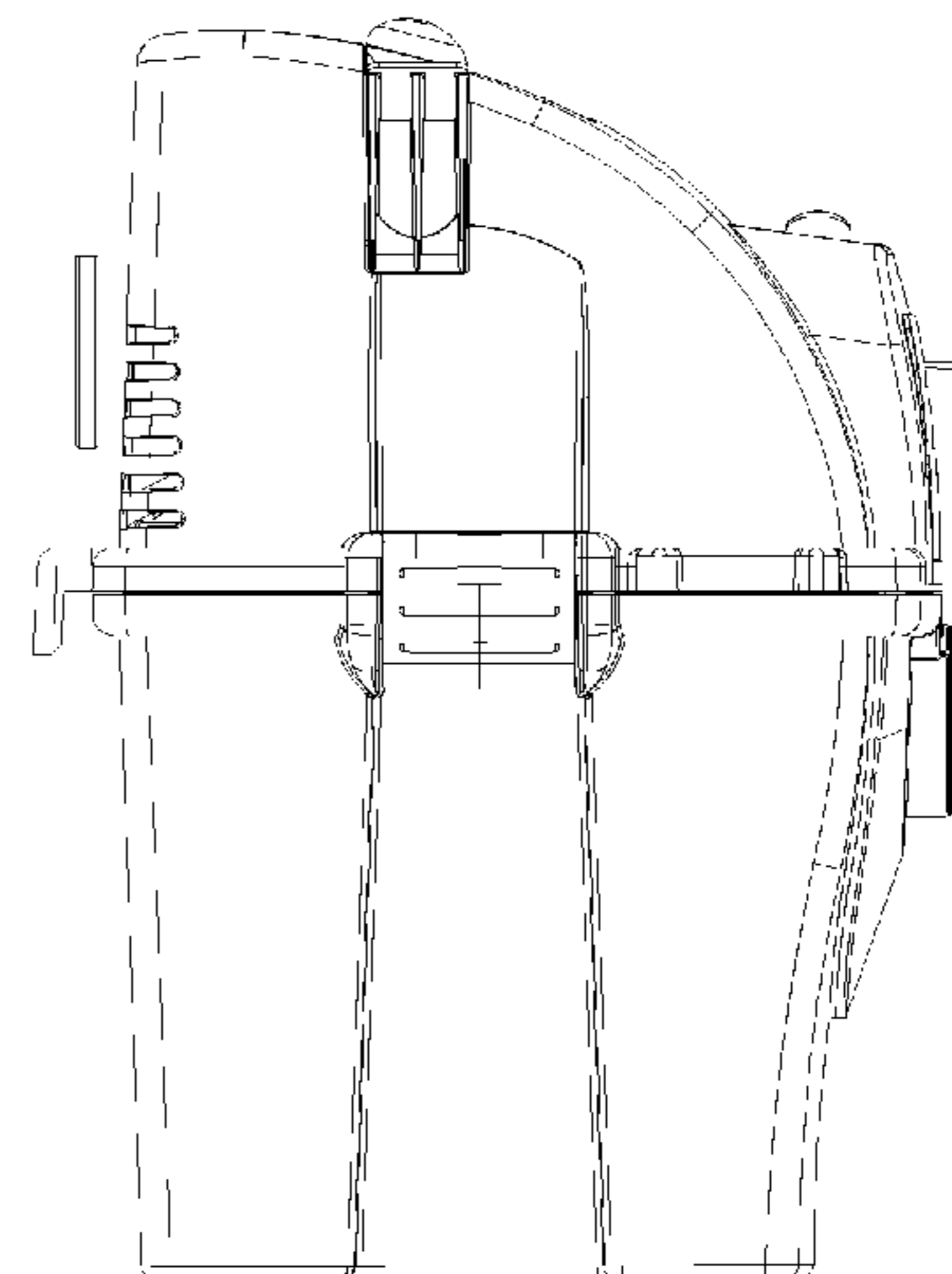
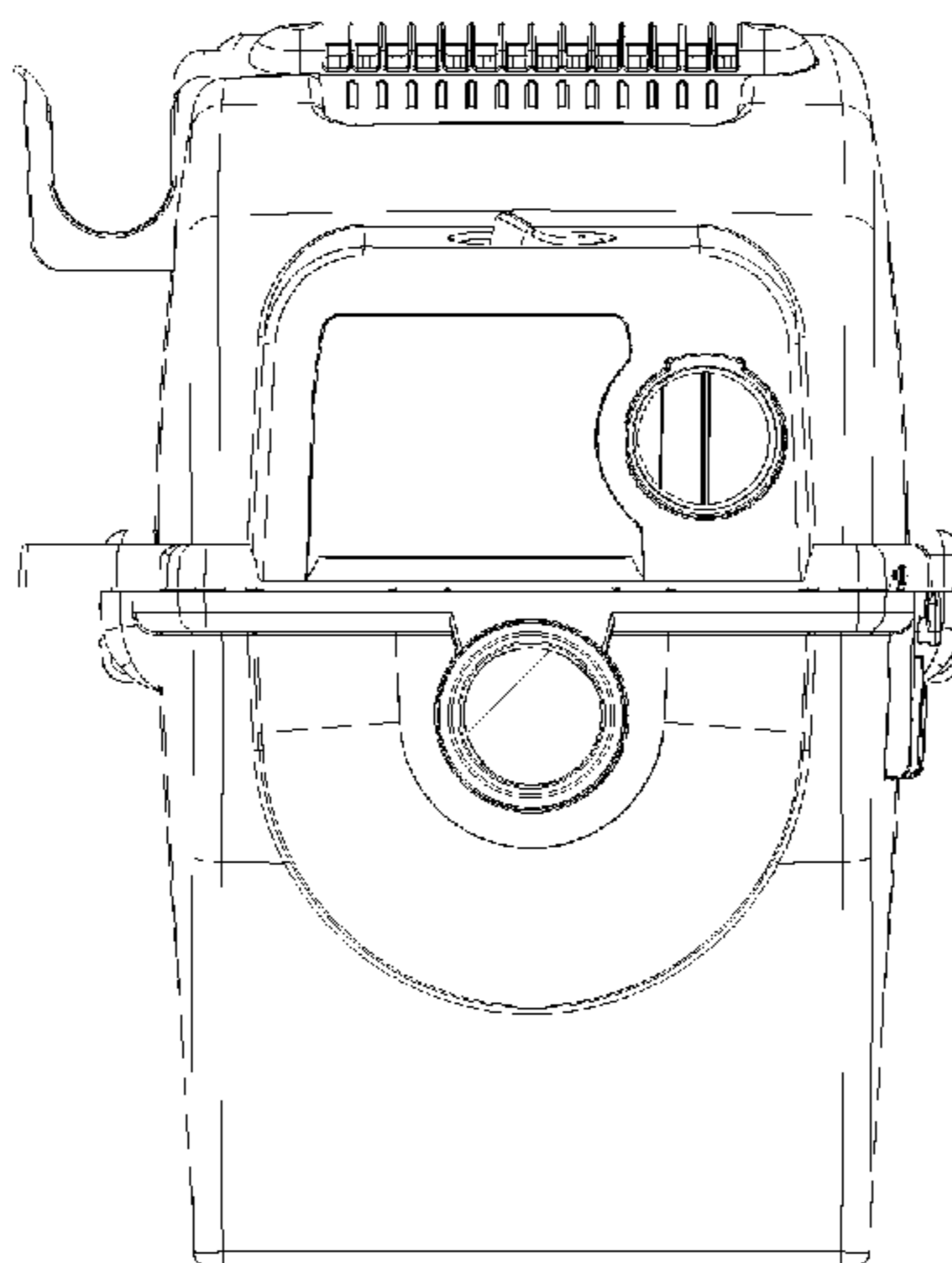
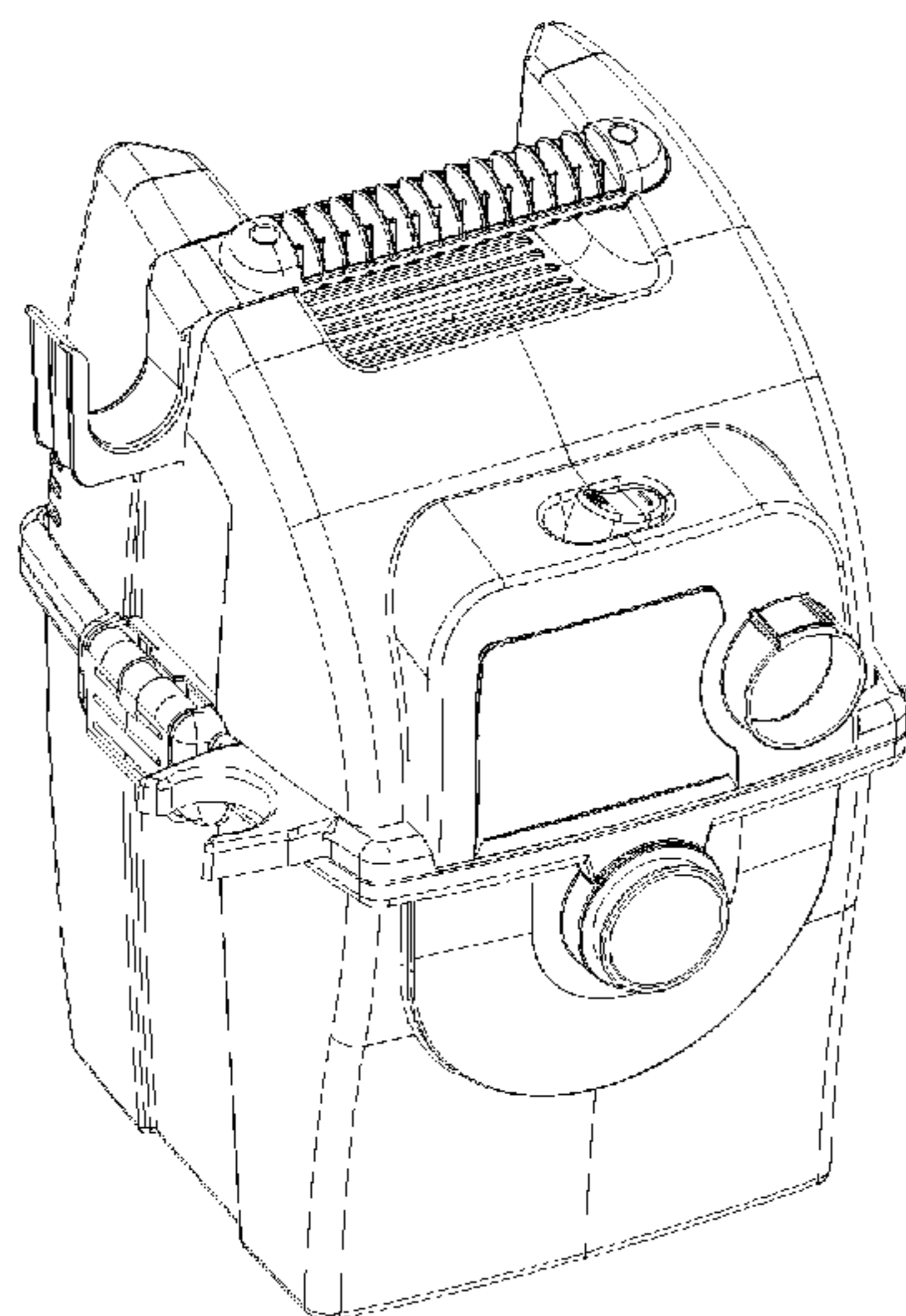
FIG. 4 a side view.

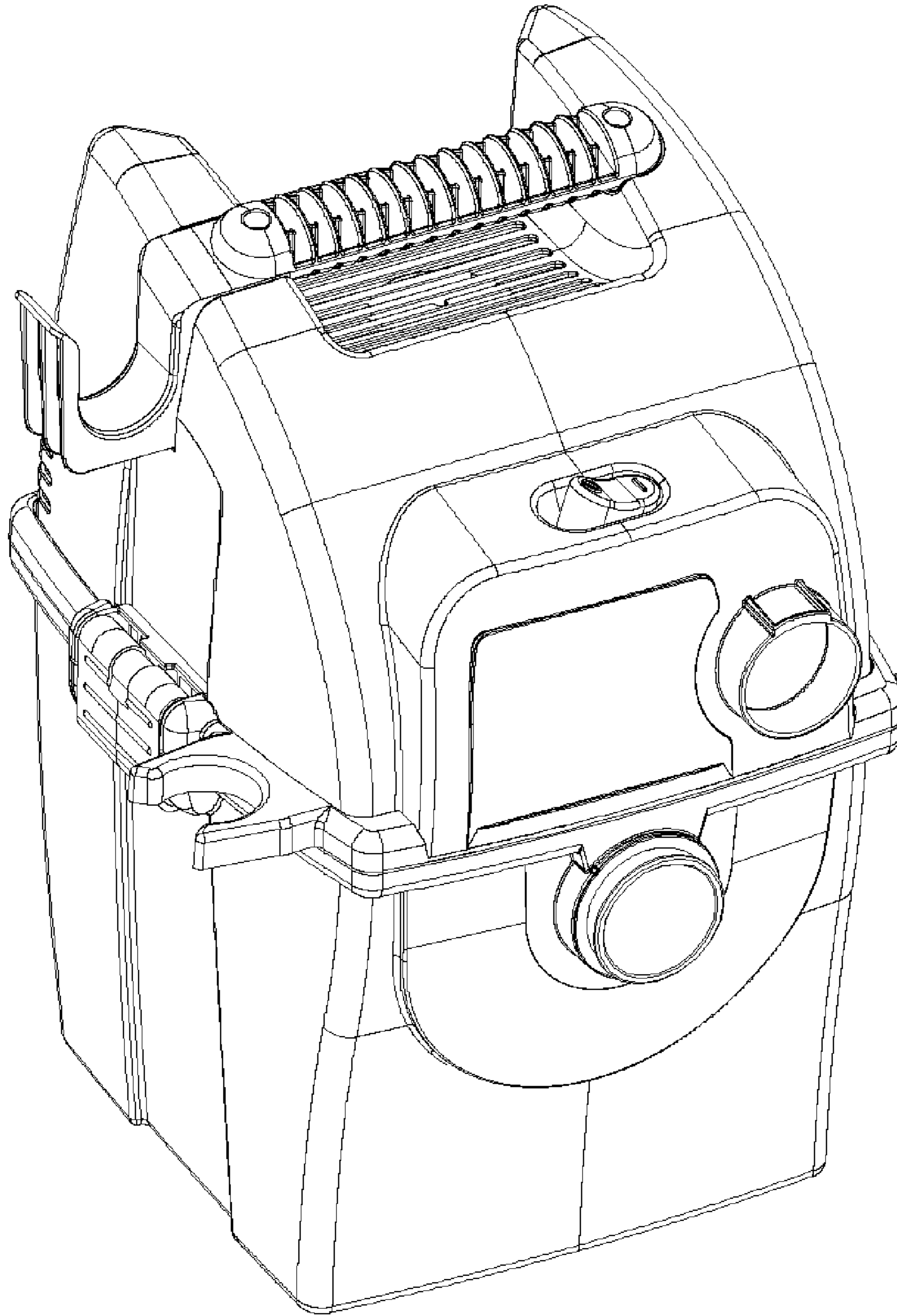
FIG. 5 is a side view showing the opposite side of FIG. 4.

FIG. 6 is a top view; and,

FIG. 7 is a bottom view.

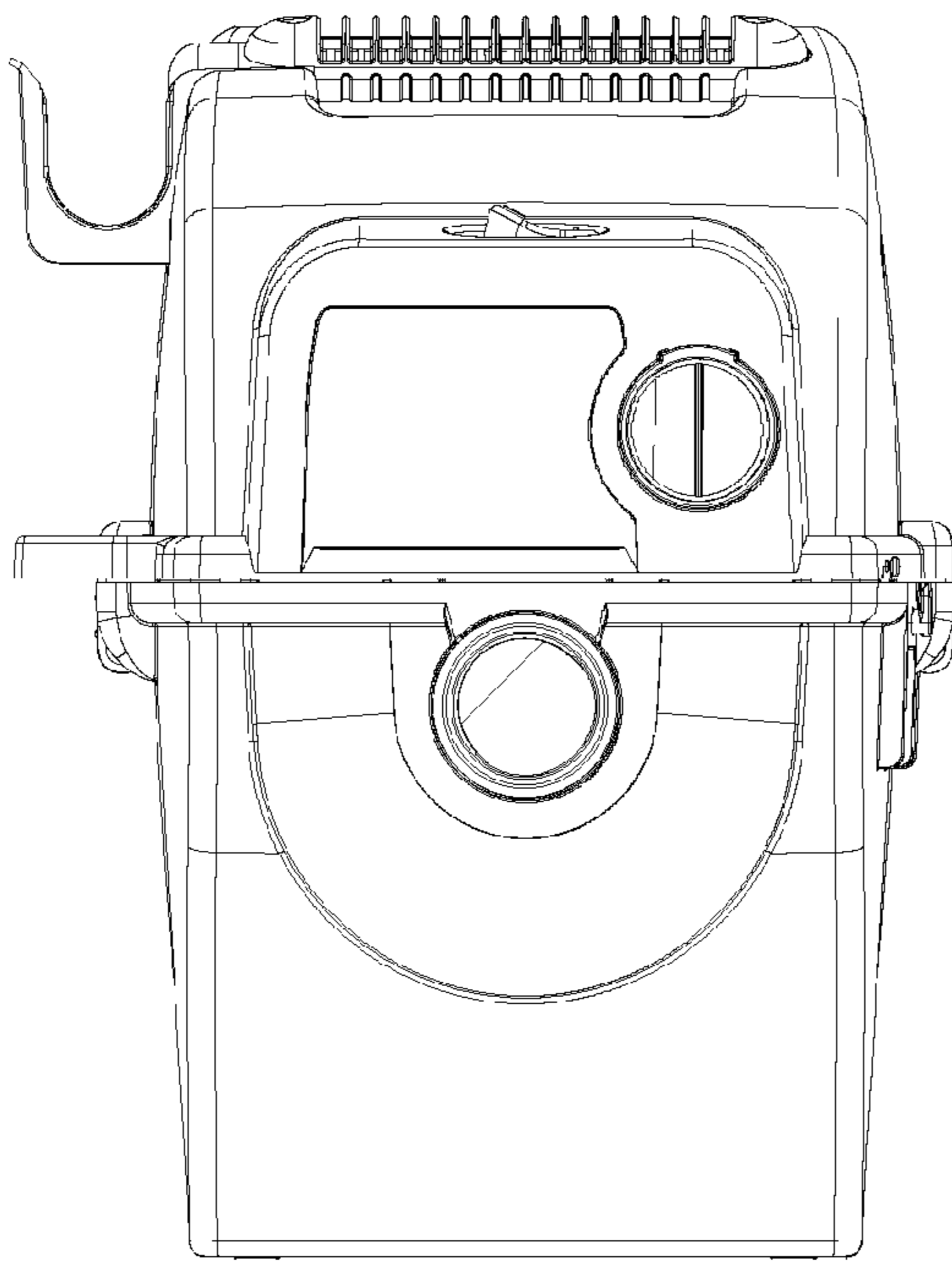
**1 Claim, 4 Drawing Sheets**



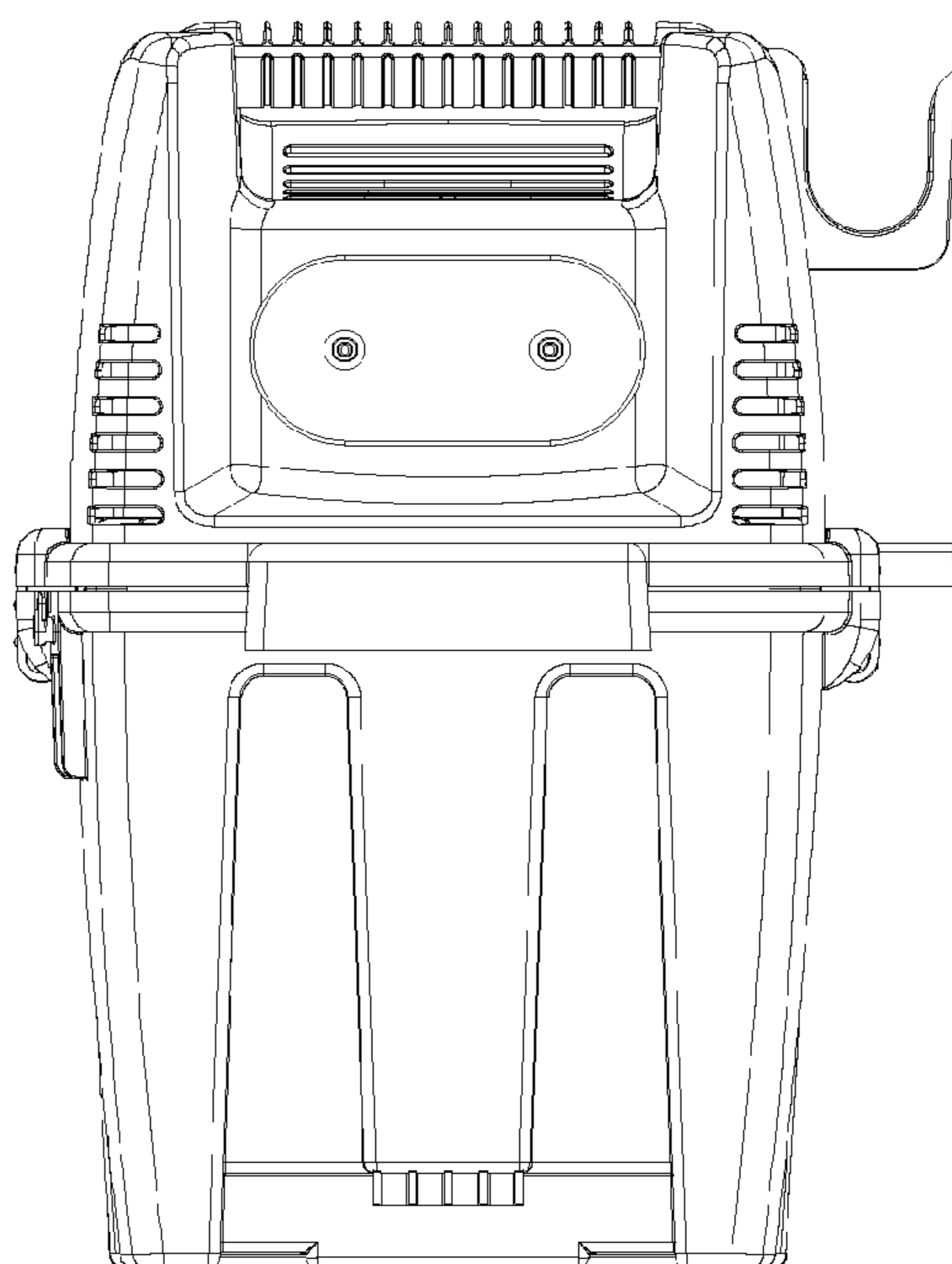


**FIG. 1**

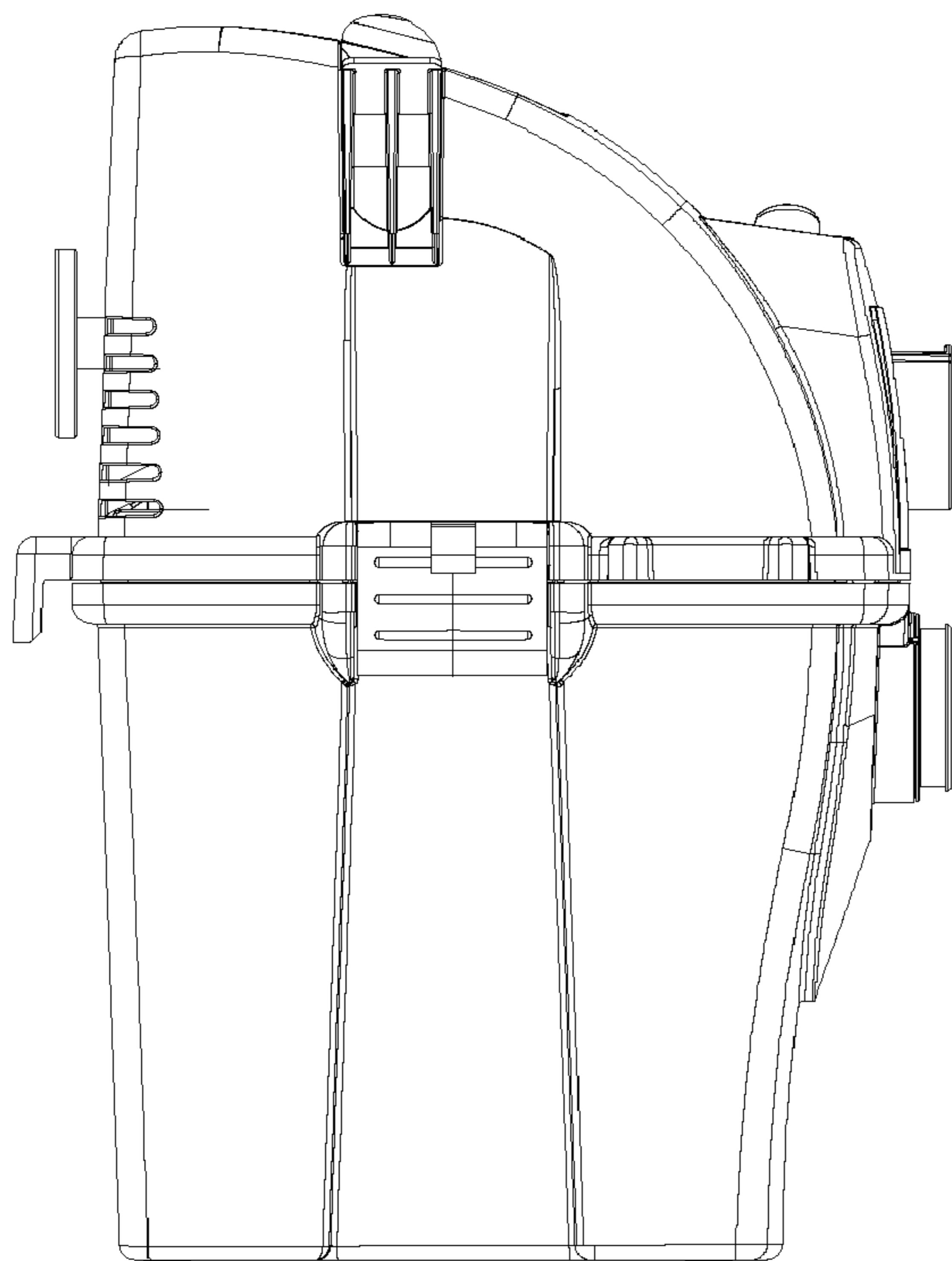
**FIG. 2**



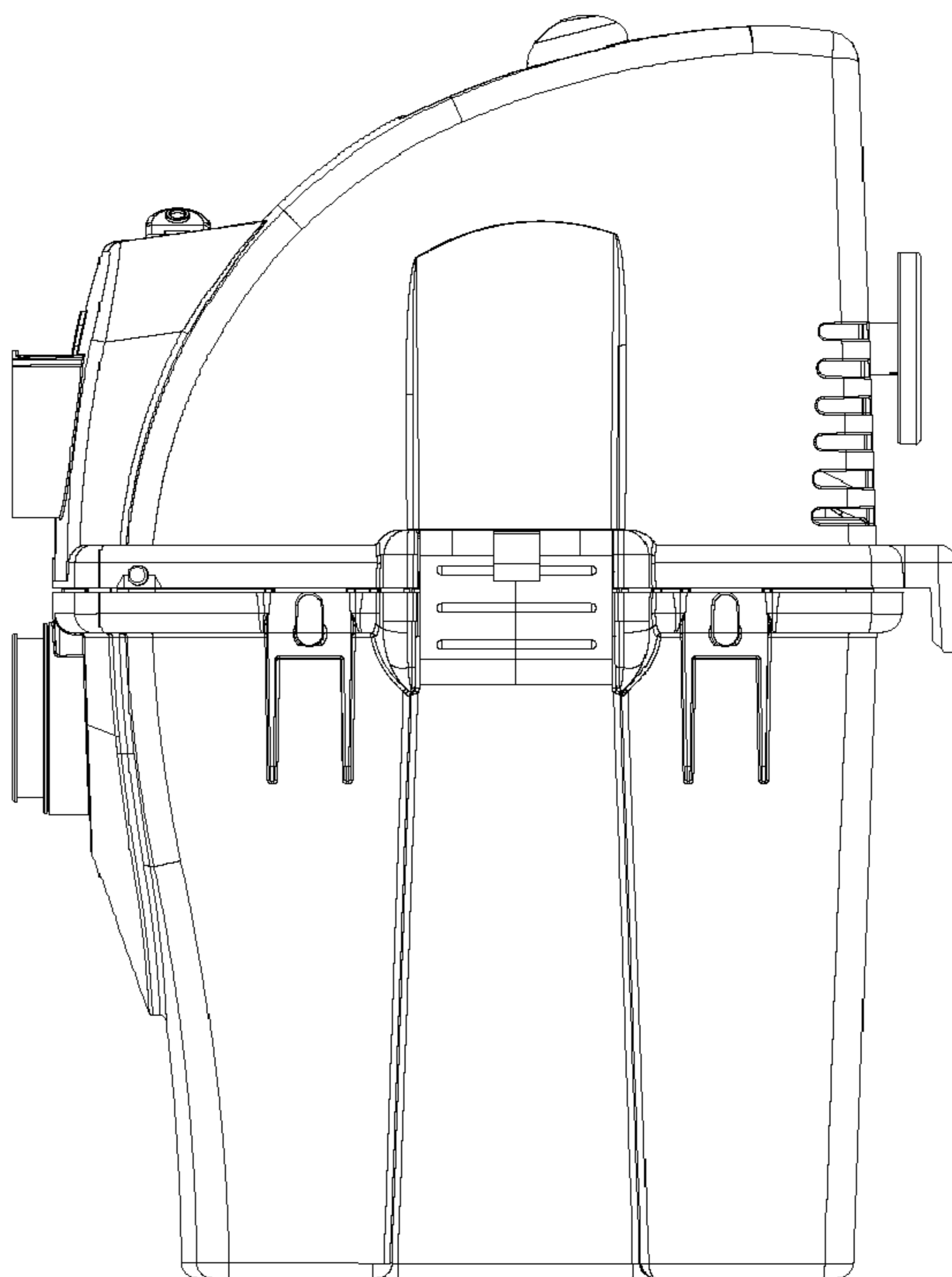
**FIG. 3**



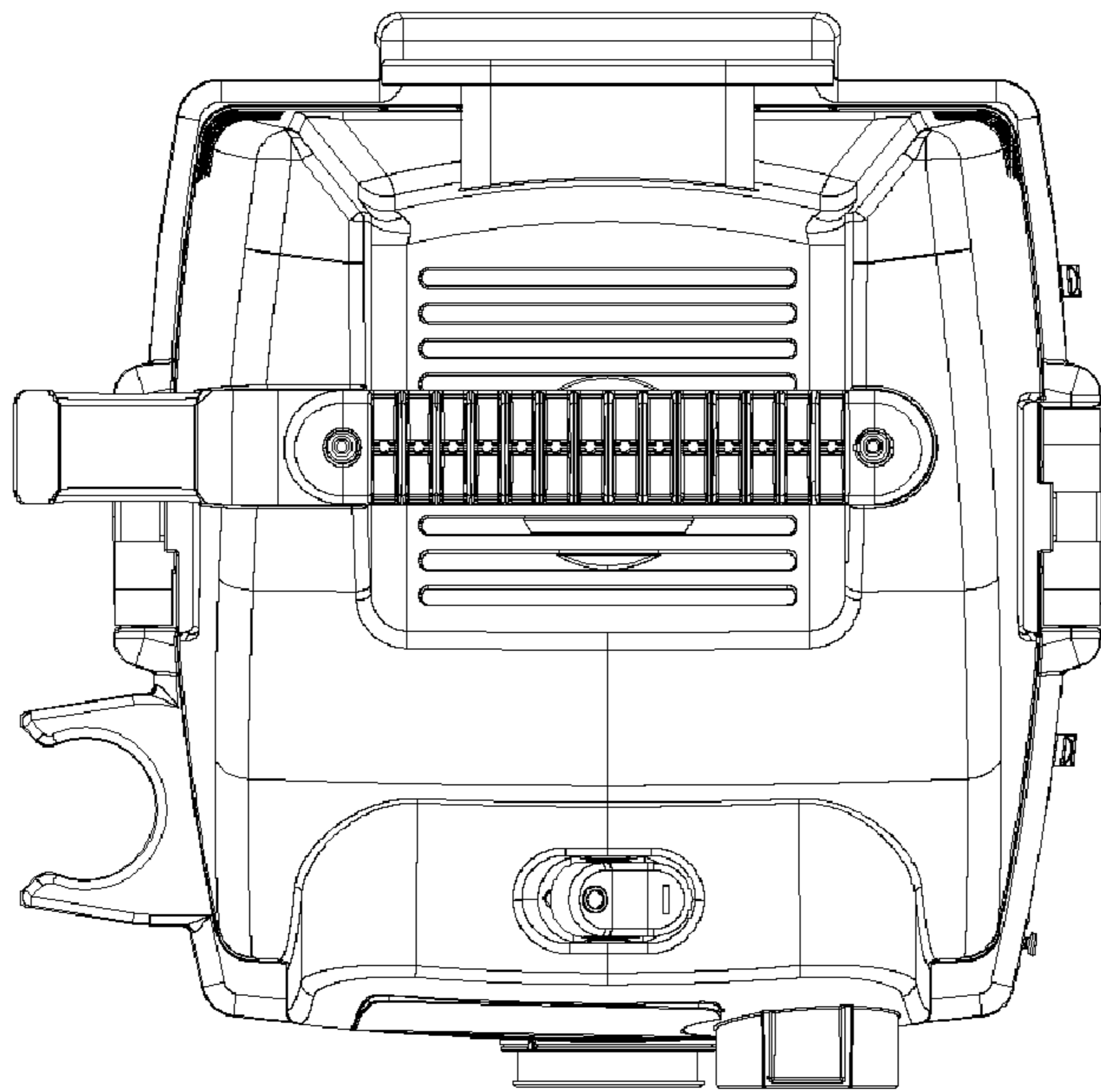
**FIG. 4**



**FIG. 5**



**FIG. 6**



**FIG. 7**

