

US00D549903S

(12) **United States Design Patent**
Eccardt et al.

(10) **Patent No.:** **US D549,903 S**

(45) **Date of Patent:** **** Aug. 28, 2007**

(54) **VACUUM APPLIANCE WITH WALL MOUNT**

(75) Inventors: **Curtis J Eccardt**, Defiance, MO (US);
Kiyoshi Hoshino, Chesterfield, MO
(US)

(73) Assignee: **Emerson Electric Co.**, St. Louis, MO
(US)

(**) Term: **14 Years**

(21) Appl. No.: **29/247,839**

(22) Filed: **Jul. 14, 2006**

(51) **LOC (8) Cl.** **15-05**

(52) **U.S. Cl.** **D32/21**

(58) **Field of Classification Search** D32/21,
D32/23-24, 31; 15/257.01, 301, 315, 320-321,
15/323, 327.1-327.4, 327.6-327.7, 329,
15/336, 347, 352-353, 412; 55/337, 429,
55/345; 95/271; 210/512.1, 512.2; 211/87.01,
211/13.1

See application file for complete search history.

(56) **References Cited**

U.S. PATENT DOCUMENTS

D467,693 S * 12/2002 Kitts D32/21
D478,196 S * 8/2003 Kim et al. D32/22

D496,764 S * 9/2004 Lopano D32/21
D520,689 S * 5/2006 Eccardt et al. D32/21
D528,718 S * 9/2006 Tomasiak et al. D32/21
D537,579 S * 2/2007 Zimmerle et al. D32/21
D537,581 S * 2/2007 Zimmerle et al. D32/21
D539,491 S * 3/2007 Kim D32/21

* cited by examiner

Primary Examiner—Ruth McInroy

(74) *Attorney, Agent, or Firm*—Locke Liddell & Sapp PLLC

(57) **CLAIM**

The ornamental design for a vacuum appliance and wall mount, as shown and described.

DESCRIPTION

FIG. 1 is a perspective view of the vacuum appliance with wall mount showing our new design;

FIG. 2 is a front view.

FIG. 3 is a rear view.

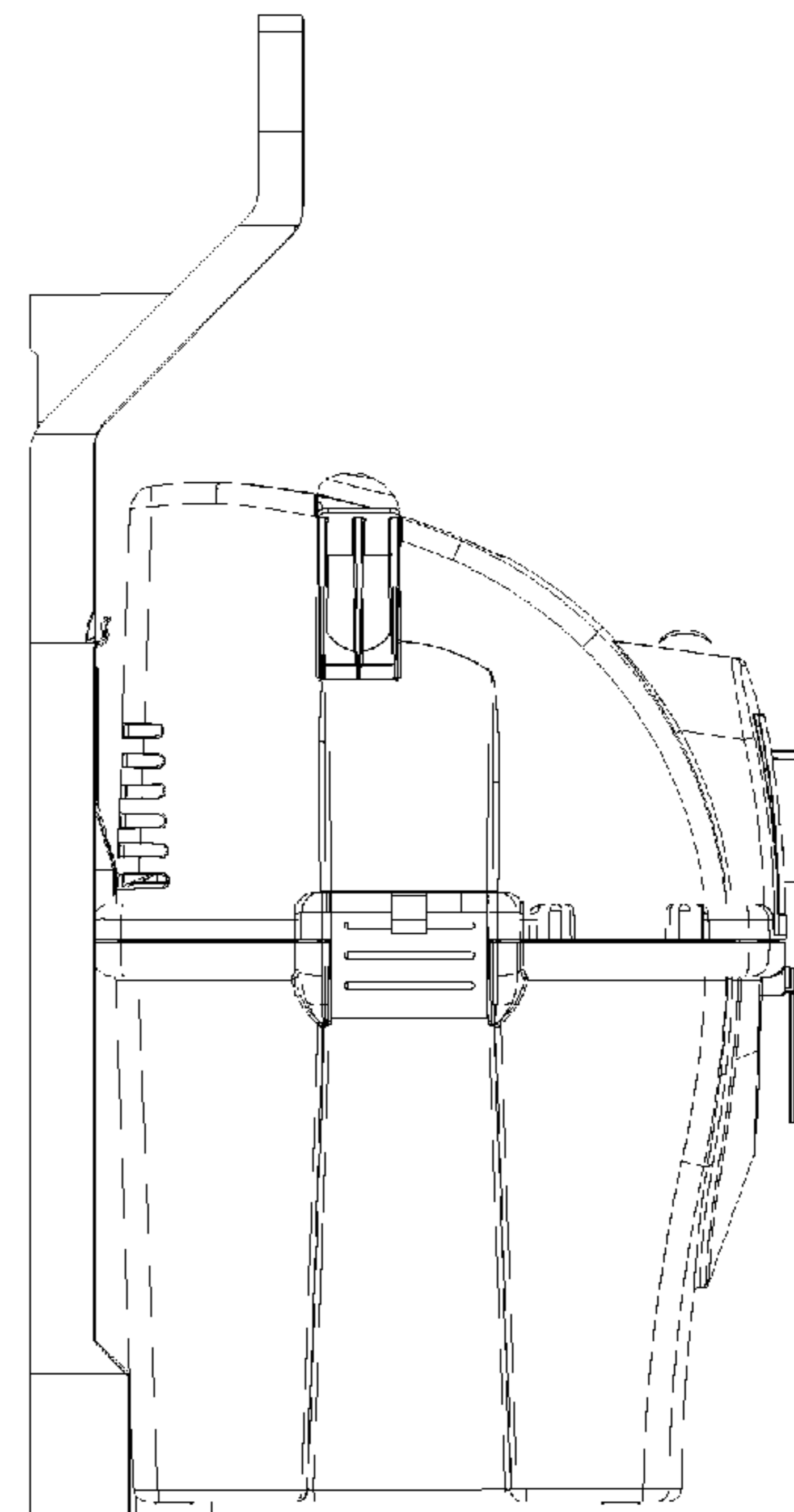
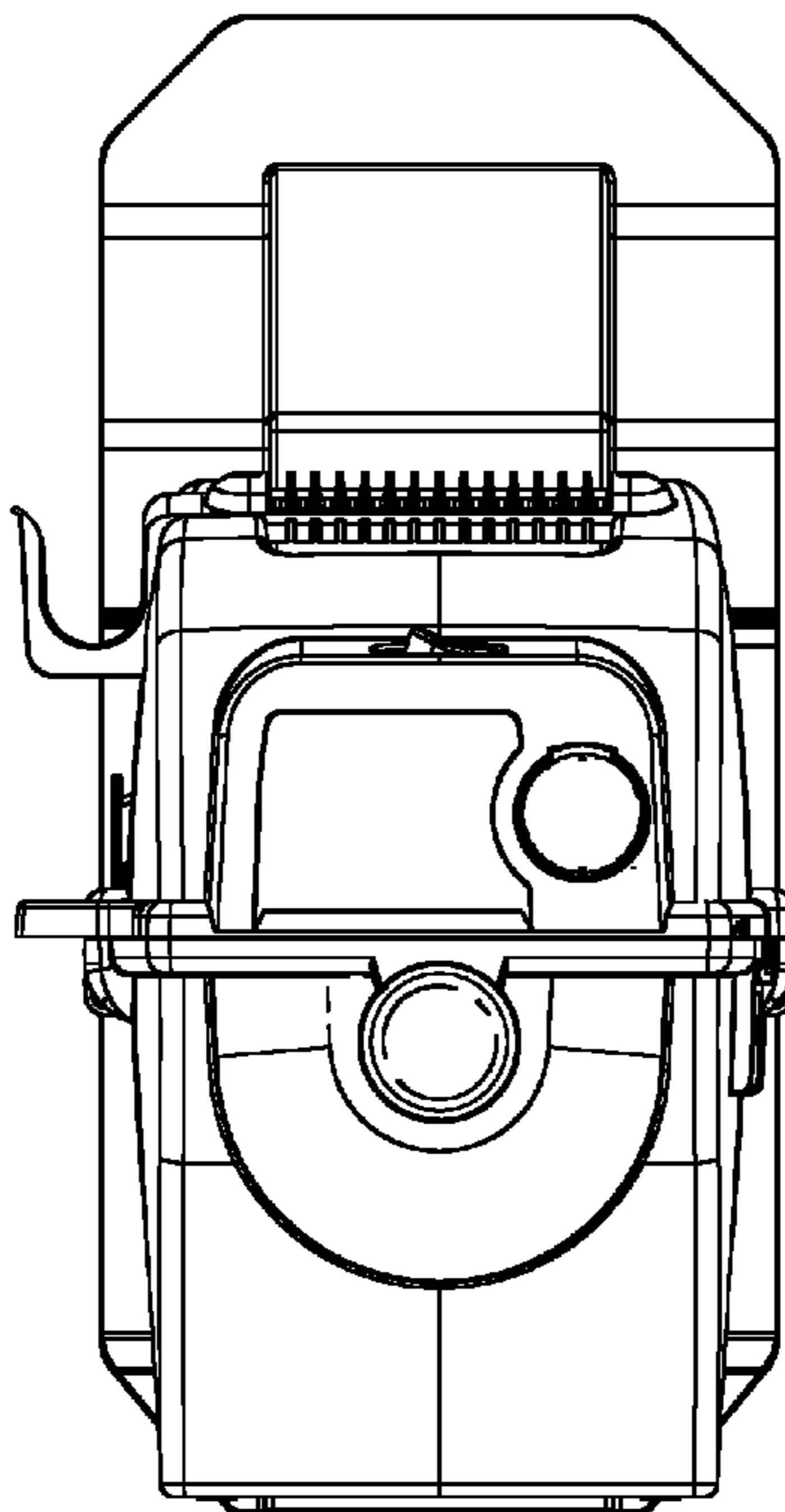
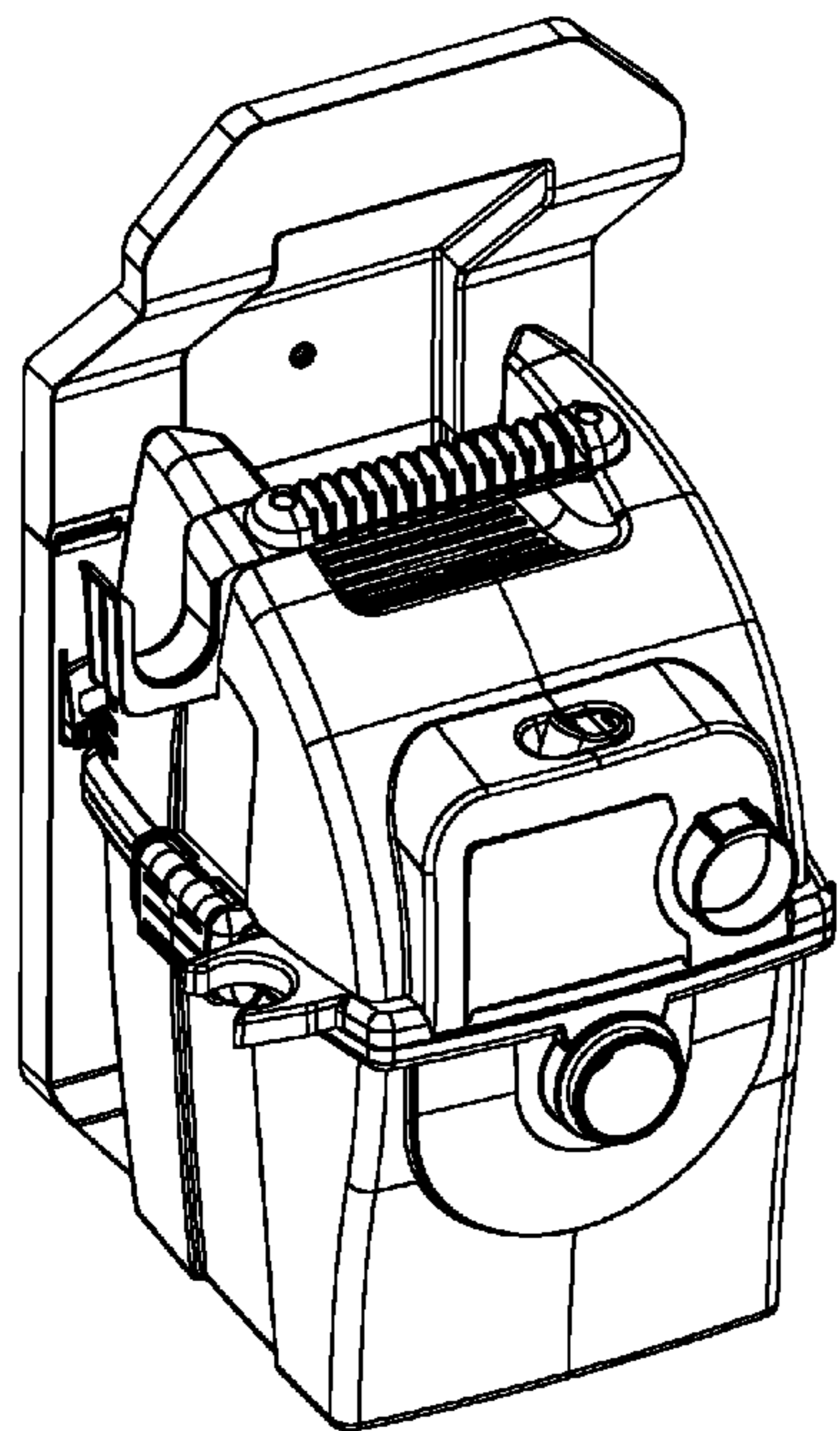
FIG. 4 a side view.

FIG. 5 is a side view showing the opposite side of FIG. 4.

FIG. 6 is a top view; and,

FIG. 7 is a bottom view.

1 Claim, 4 Drawing Sheets



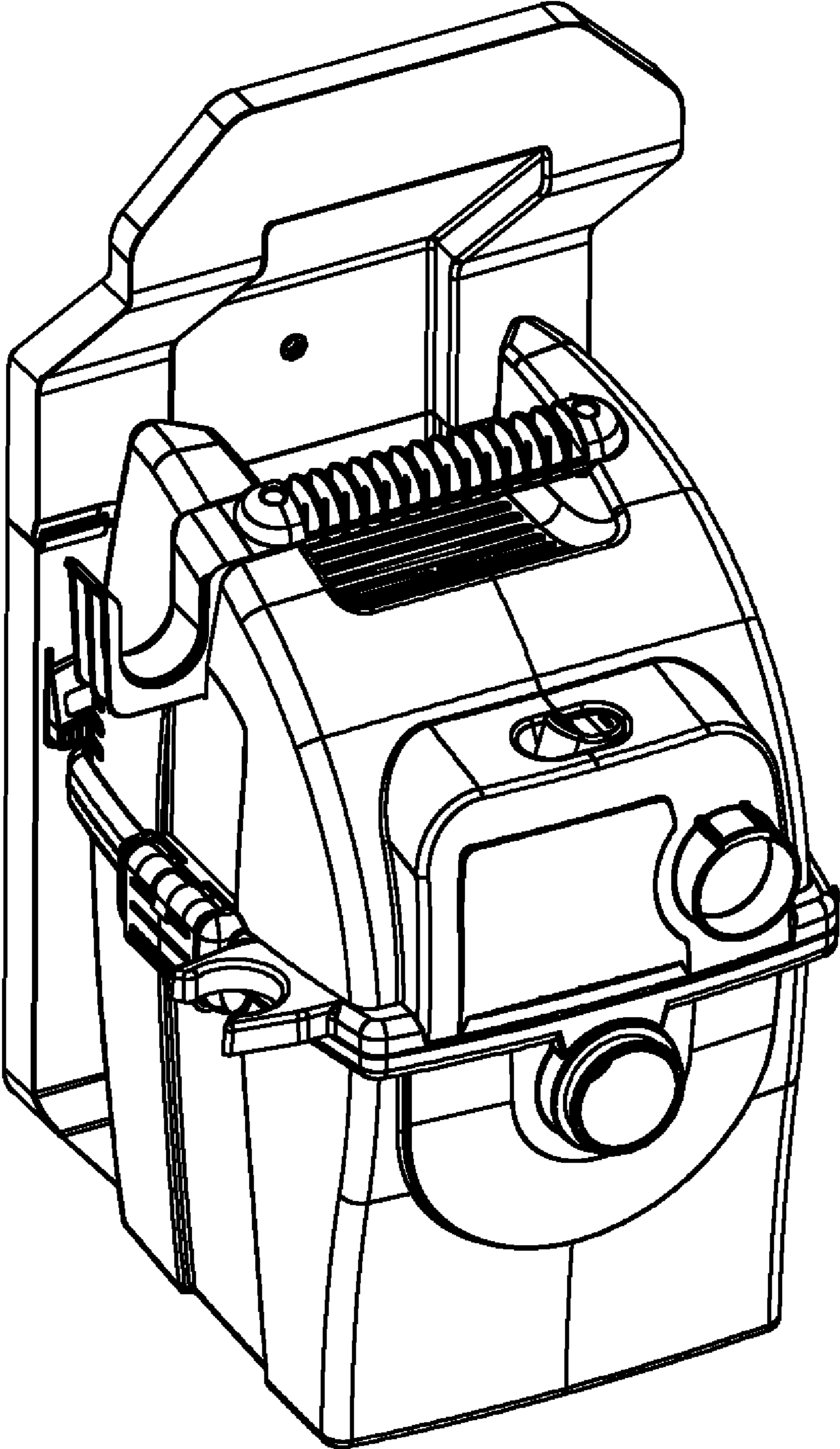


FIG. 1

FIG. 2

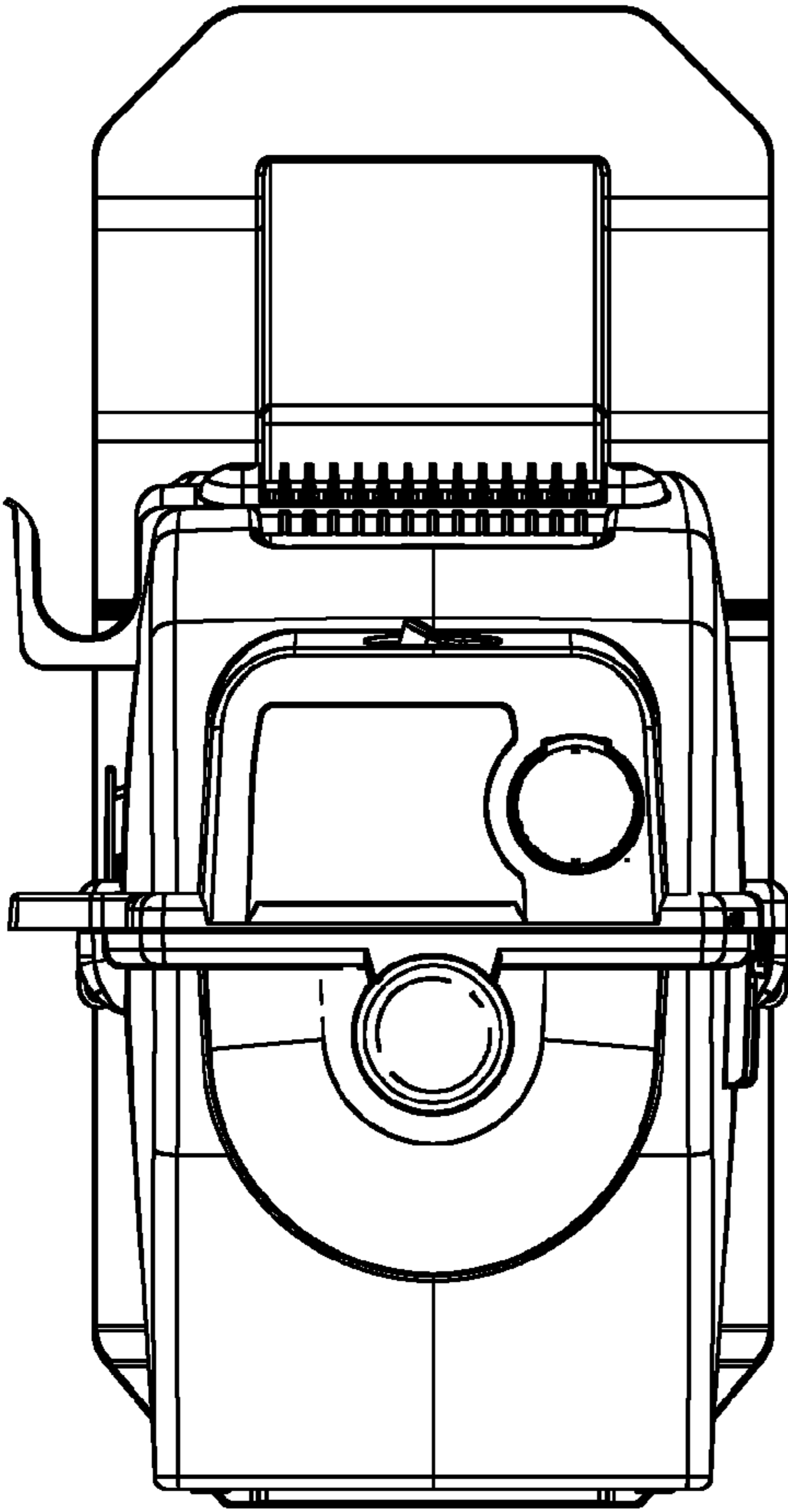


FIG. 3

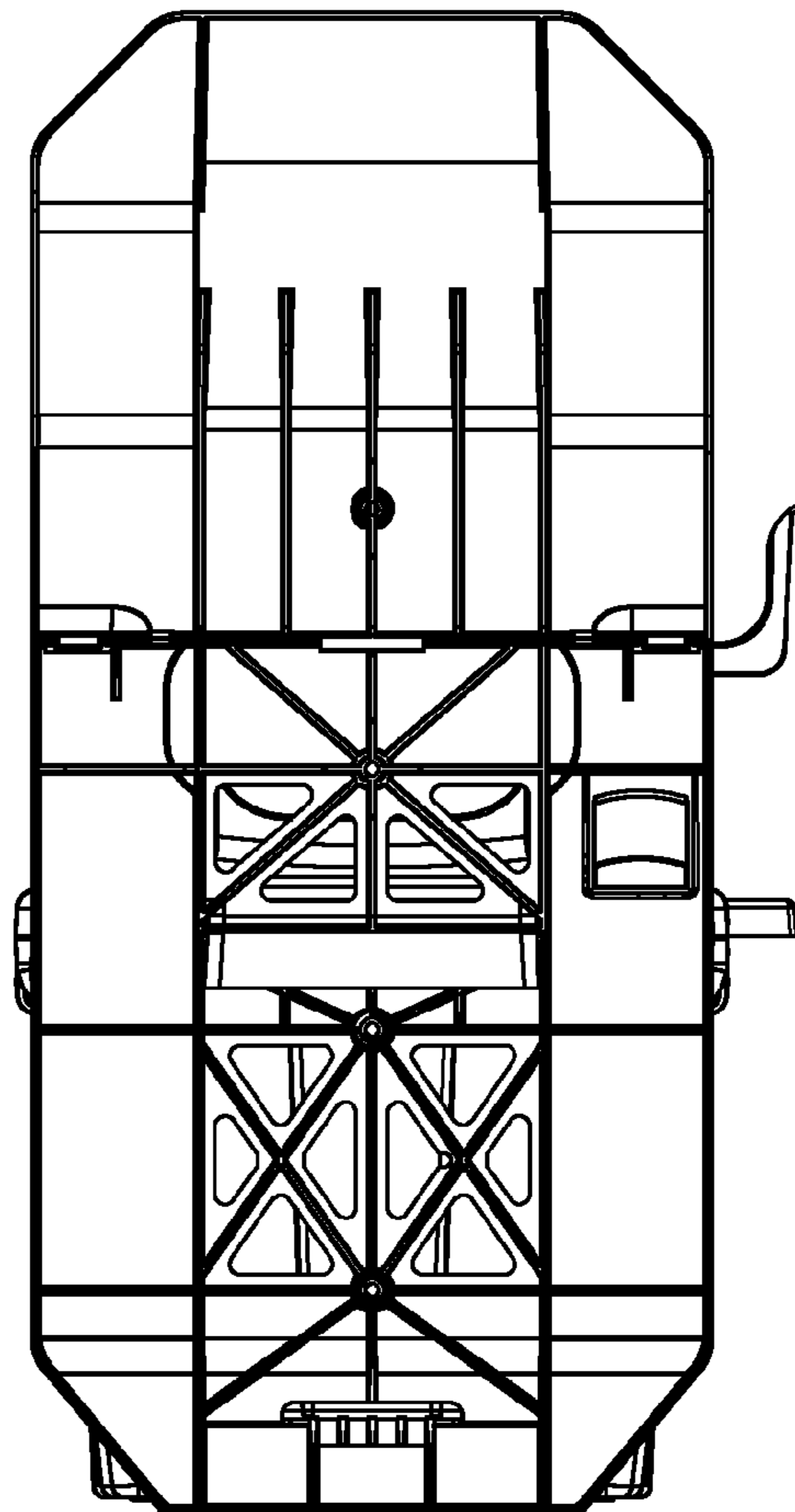


FIG. 4

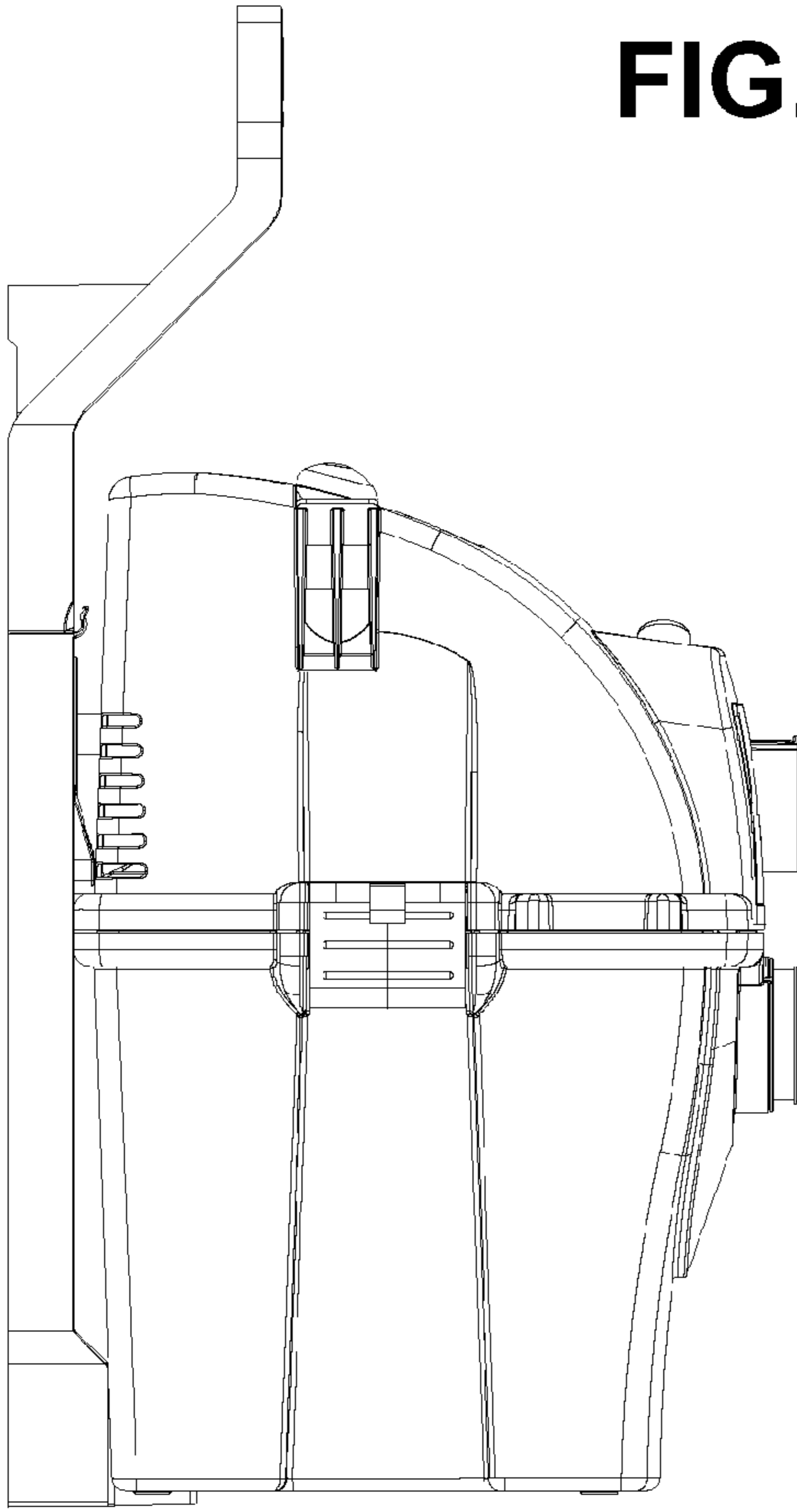


FIG. 5

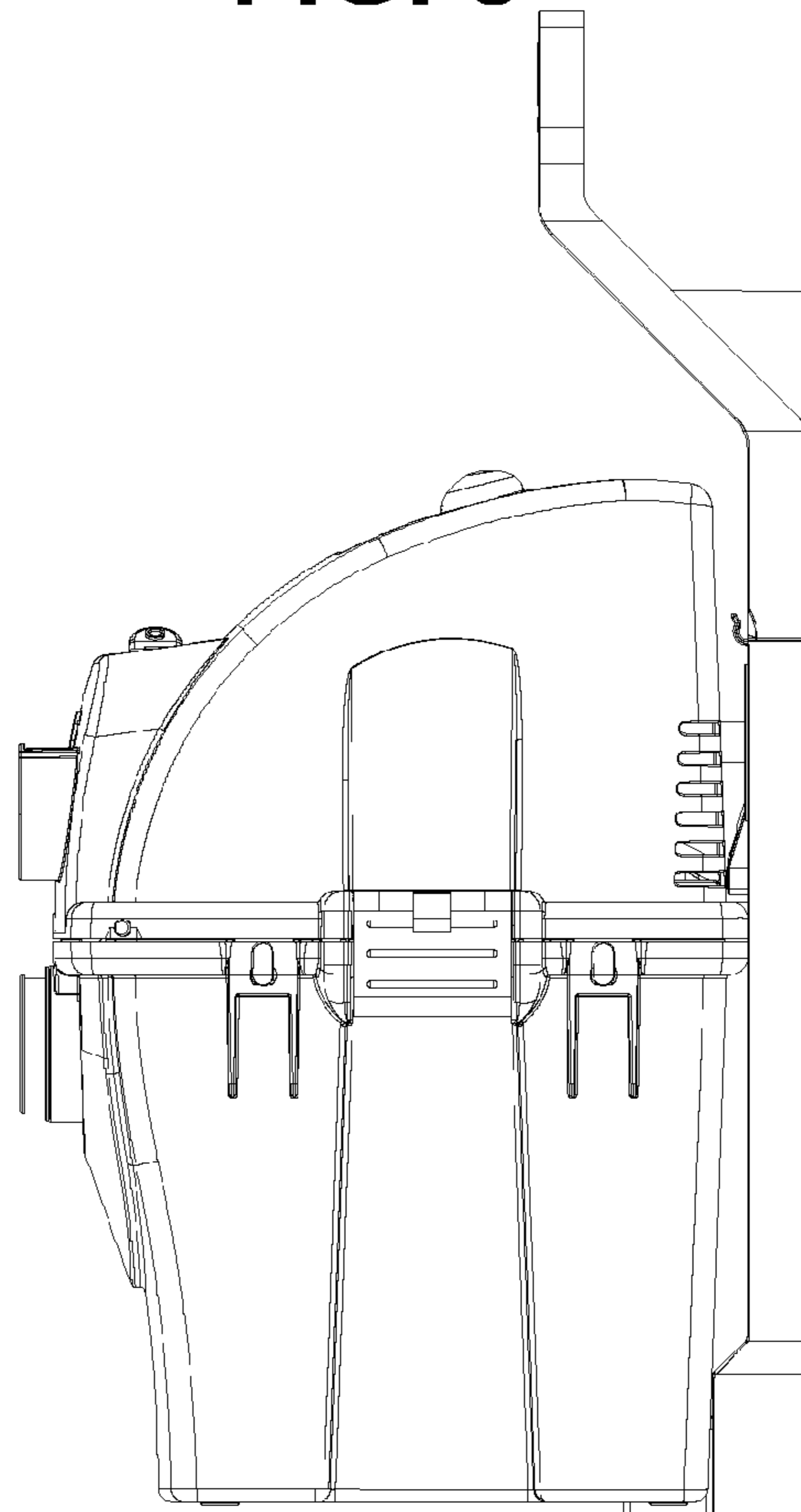


FIG. 6

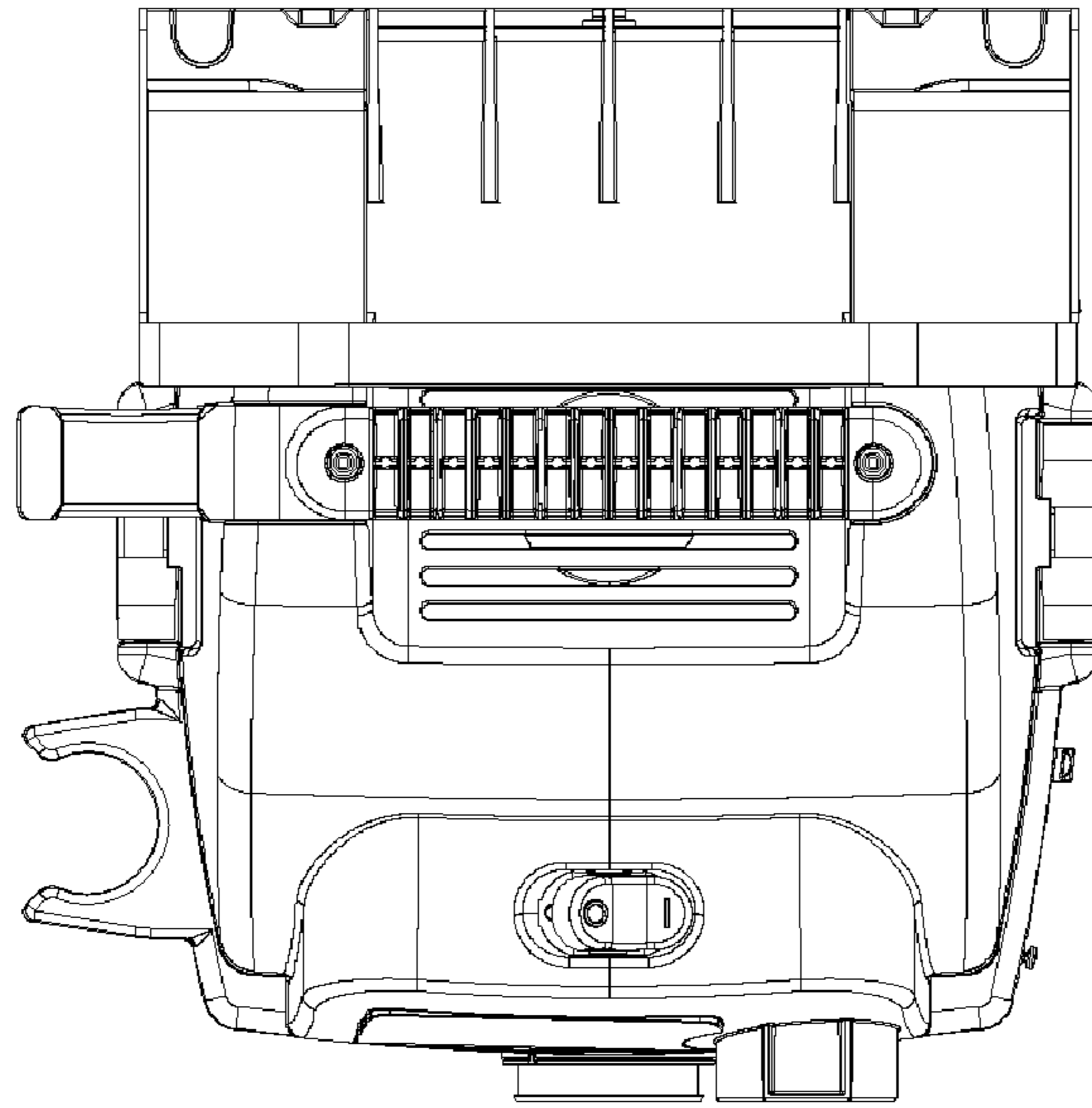


FIG. 7

