



US00D549894S

(12) **United States Design Patent**
Wilday

(10) **Patent No.:** **US D549,894 S**

(45) **Date of Patent:** **** Aug. 28, 2007**

(54) **LAUNDRY APPLIANCE**

D524,493 S * 7/2006 Choi et al. D32/6

(75) Inventor: **Ryan L. Wilday**, San Diego, CA (US)

* cited by examiner

(73) Assignee: **Whirlpool Corporation**, Benton Harbor, MI (US)

Primary Examiner—Louis S. Zarfaz

Assistant Examiner—Kathleen Sims

(**) Term: **14 Years**

(74) *Attorney, Agent, or Firm*—Tara M. Hartman; John F. Colligan

(21) Appl. No.: **29/246,045**

(57) **CLAIM**

(22) Filed: **Jan. 8, 2006**

The ornamental design for a laundry appliance, as shown and described.

(51) **LOC (8) Cl.** **15-05**

(52) **U.S. Cl.** **D32/6**

(58) **Field of Classification Search** D32/1,
D32/5-10, 25, 28; 68/3 R, 5 R, 12.01; 34/523-524;
312/31

See application file for complete search history.

DESCRIPTION

FIG. 1 is a right front perspective view of the ornamental design for the laundry appliance according to the invention;

FIG. 2 is a front elevational view of the laundry appliance of FIG. 1;

FIG. 3 is a right side elevational view of the laundry appliance of FIG. 1, the left side of which is a mirror image thereof; and,

FIG. 4 is a top plan view of the laundry appliance of FIG. 1.

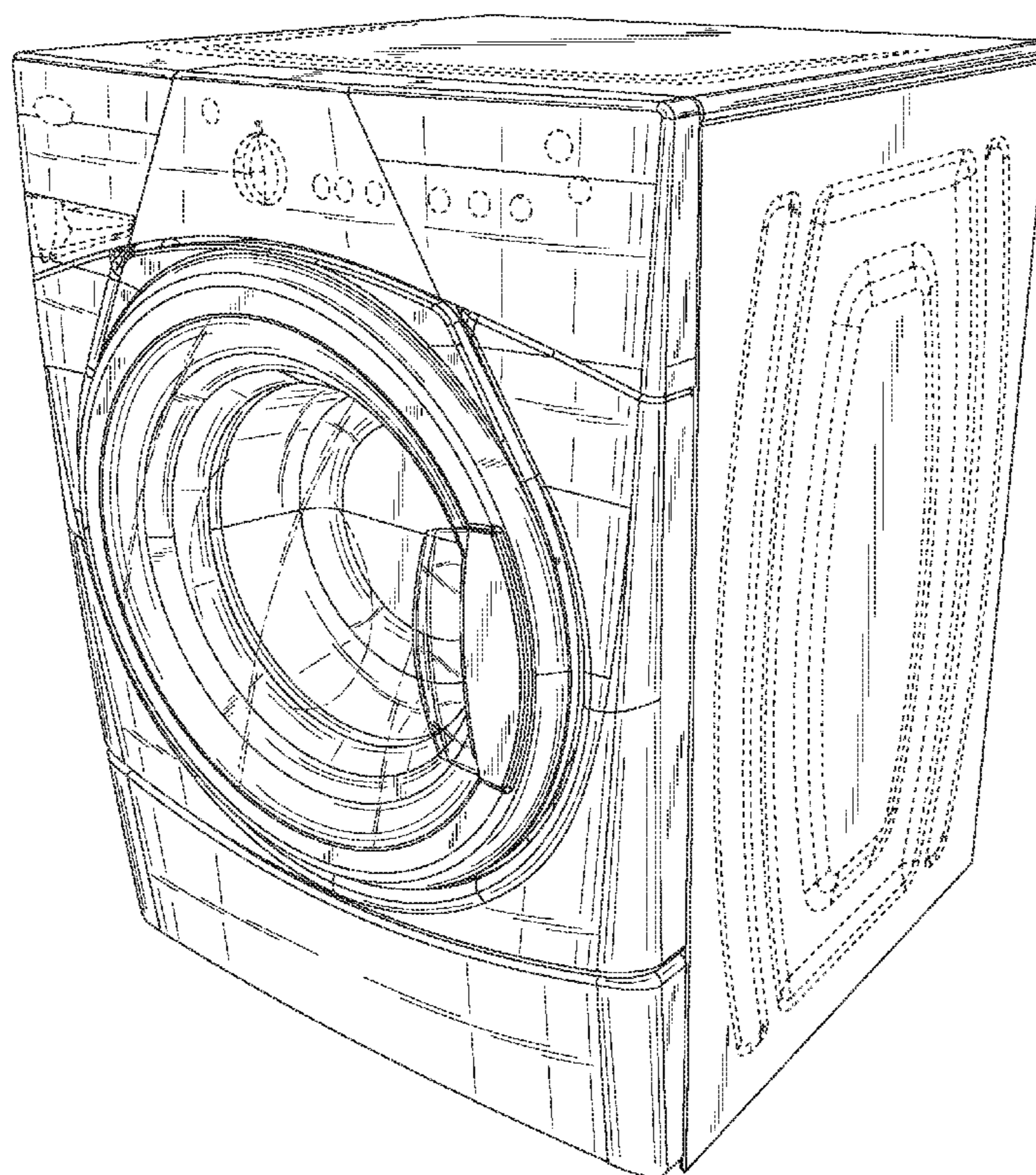
The structures depicted by means of broken lines in the figures have been shown for illustrative purposes only and form no part of the claimed design.

(56) **References Cited**

U.S. PATENT DOCUMENTS

D457,991 S *	5/2002	Baldwin et al.	D32/6
D457,992 S *	5/2002	Baldwin et al.	D32/6
D459,844 S *	7/2002	Baldwin et al.	D32/6
D465,622 S *	11/2002	Wang et al.	D32/6
D495,453 S *	8/2004	Baldwin et al.	D32/8
D502,577 S *	3/2005	Baldwin et al.	D32/6
D517,256 S *	3/2006	Kim	D32/6
D523,595 S *	6/2006	Carey et al.	D32/6
D524,001 S *	6/2006	Carey et al.	D32/6

1 Claim, 4 Drawing Sheets



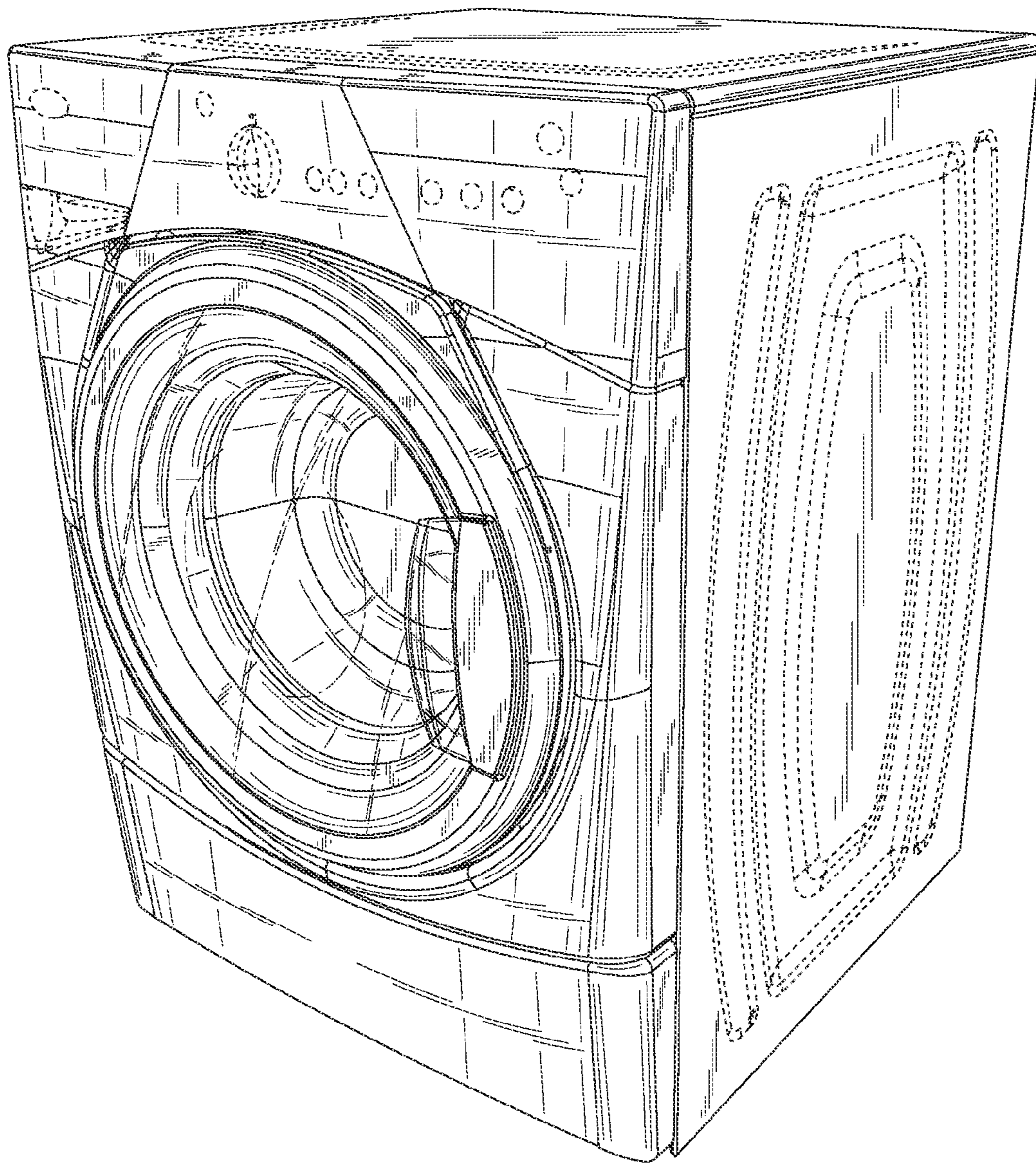


Fig. 1

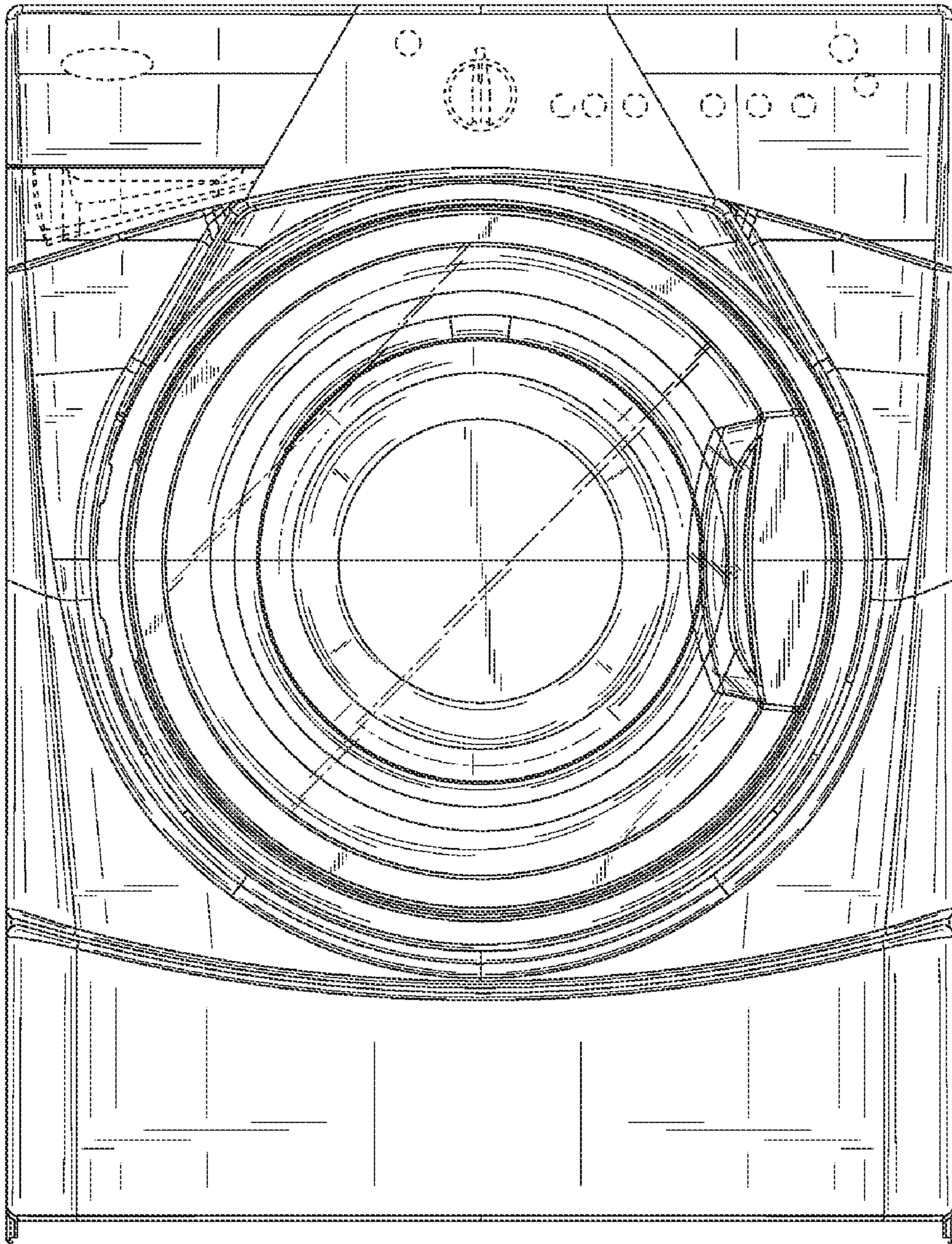


Fig. 2

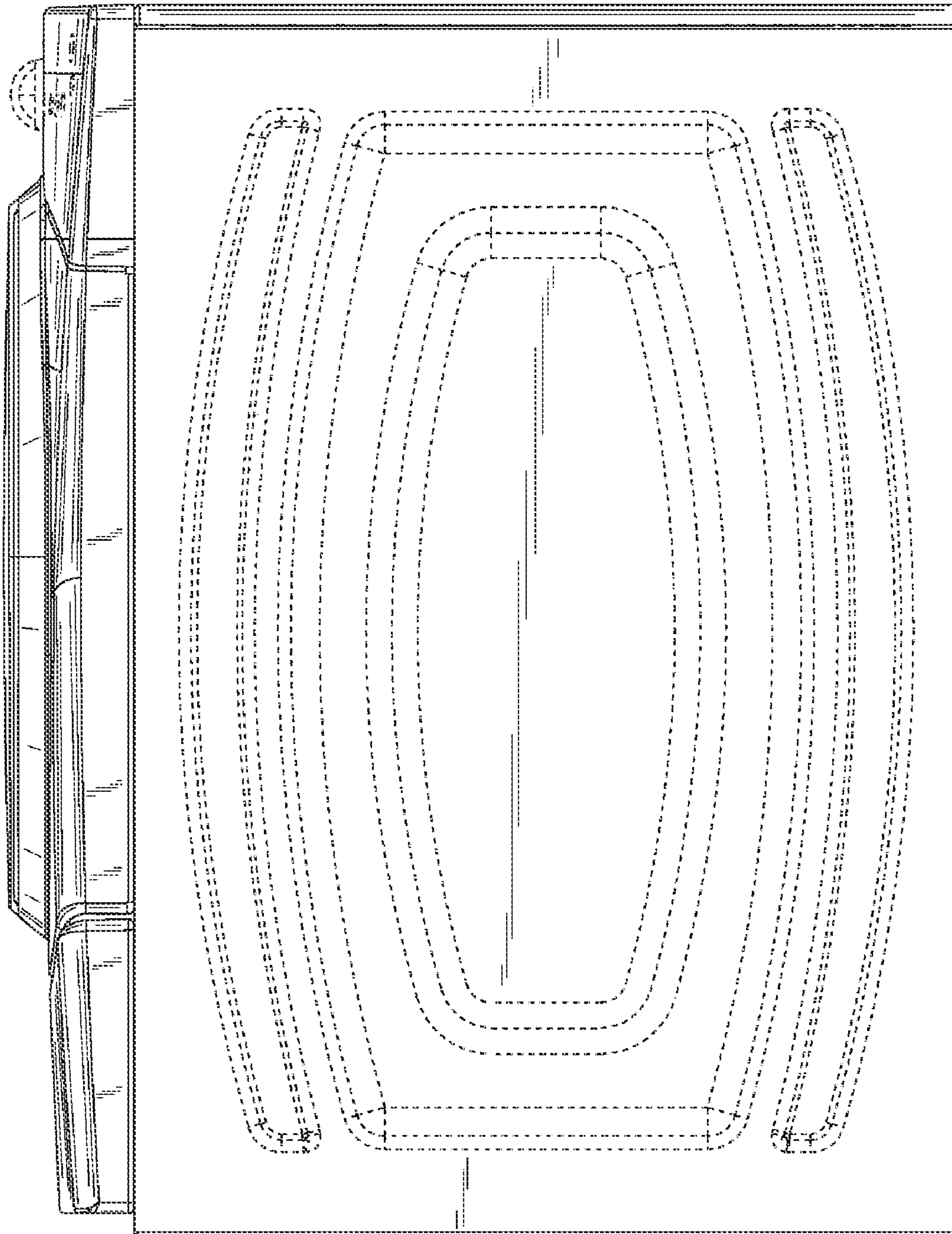


Fig. 3

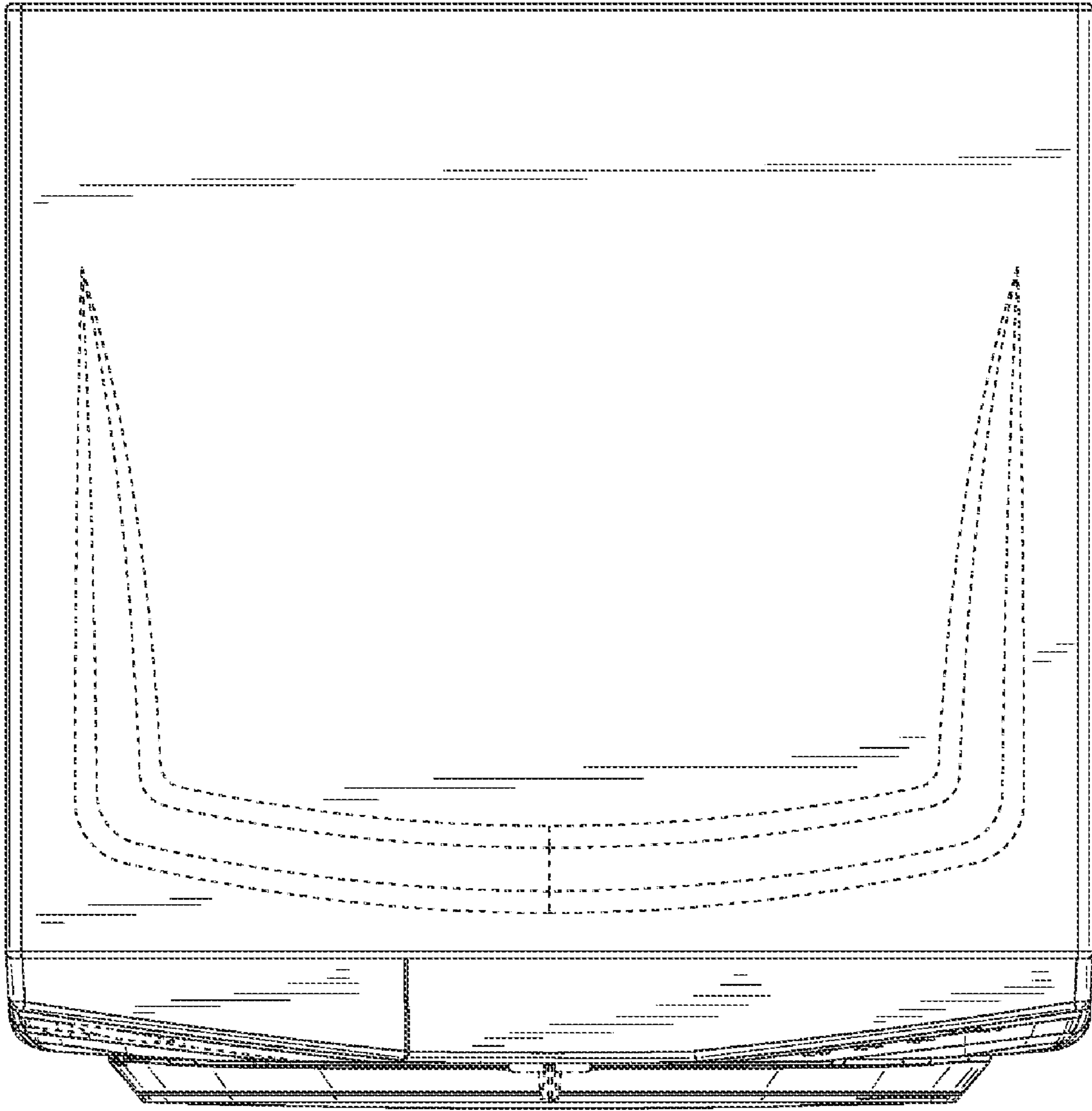


Fig. 4