

US00D549888S

(12) **United States Design Patent**
Gross

(10) **Patent No.:** **US D549,888 S**

(45) **Date of Patent:** **** Aug. 28, 2007**

(54) **BIRD BATH**

(76) Inventor: **James R. Gross**, 5333 Golden Hawk Rd., Richmond, IL (US) 60071

(**) Term: **14 Years**

(21) Appl. No.: **29/239,157**

(22) Filed: **Sep. 27, 2005**

(51) **LOC (8) Cl.** **30-07**

(52) **U.S. Cl.** **D30/123**

(58) **Field of Classification Search** D6/349,
D6/353, 352, 484, 360, 480, 488; 119/69.5,
119/673, 57.8, 68; D30/123; D7/558; D11/144,
D11/145; D99/5, 24; 27/1; 47/66.6, 39;
D23/201, 292; 248/127, 132, 137, 138
See application file for complete search history.

(56) **References Cited**

U.S. PATENT DOCUMENTS

D49,385 S *	7/1916	Feldman	D6/352
D85,238 S *	9/1931	Guido	D23/201
D107,860 S *	1/1938	Ferris	D6/352
D145,542 S *	9/1946	Sky	D6/488
D146,901 S *	6/1947	Fiorio	D30/123
D171,020 S *	12/1953	Anderson	D30/123
D204,388 S *	4/1966	Mitchell	D30/123
D225,598 S *	12/1972	Leaver	D6/480
D231,457 S *	4/1974	Jepsen	D23/201

D301,776 S *	6/1989	Ochs	D30/123
D338,578 S *	8/1993	Tihany	D6/486
D366,772 S *	2/1996	Pasin	D6/363
D426,088 S *	6/2000	Hodge	D6/488
D483,157 S *	12/2003	Yang	D30/119

* cited by examiner

Primary Examiner—M. H. Tung

Assistant Examiner—Susan Moon Lee

(57) **CLAIM**

The ornamental design for a bird bath, as shown and described.

DESCRIPTION

FIG. 1 is a front elevation view showing my new design, the back view being a mirror image thereof.

FIG. 2 is a side elevation view thereof as rotated approximately fifty degrees (clockwise when viewed from above) from the front view shown in FIG. 1.

FIG. 3 is a top plan view thereof.

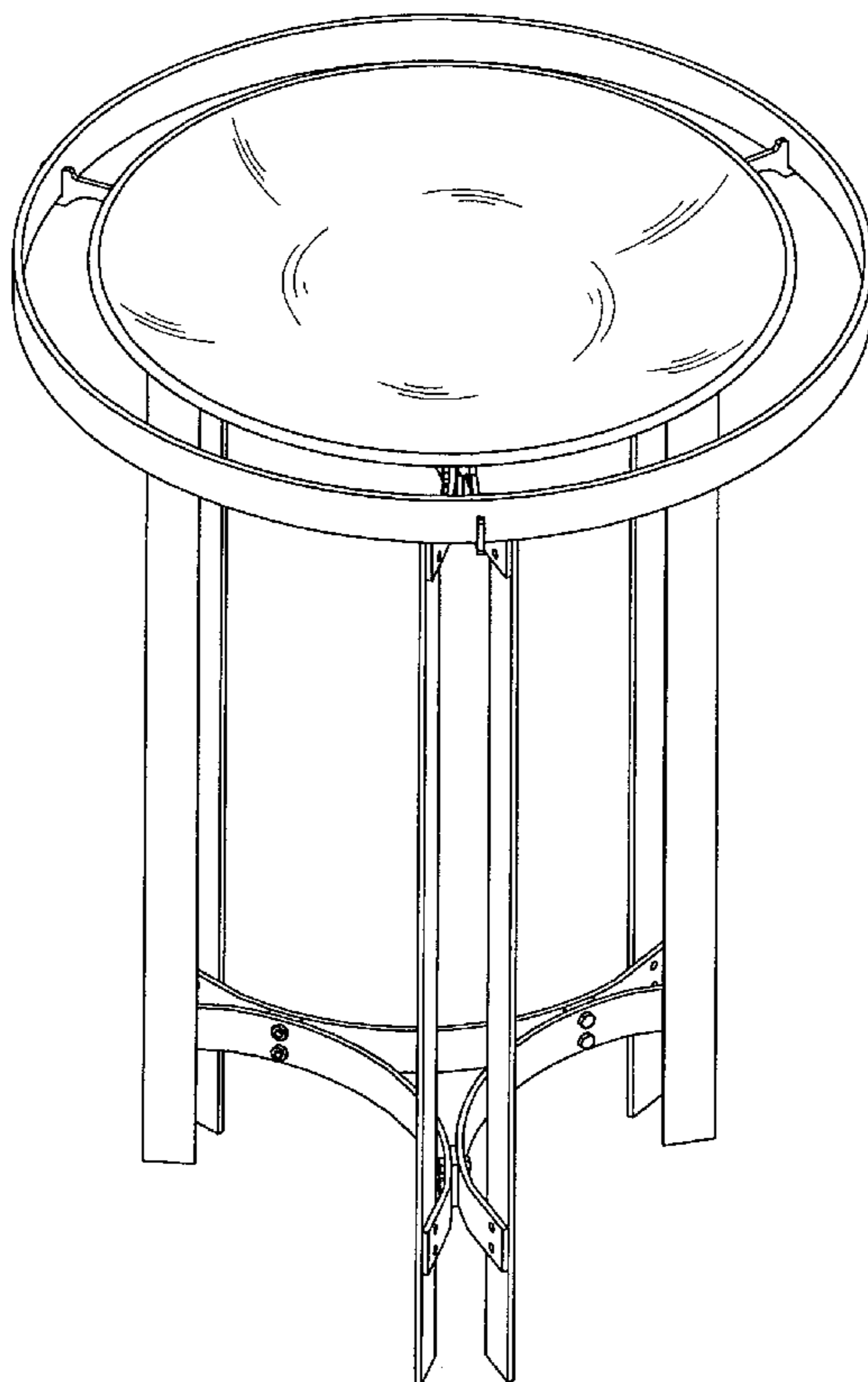
FIG. 4 is a bottom plan view thereof.

FIG. 5 is a perspective view thereof.

FIG. 6 is an alternate perspective view thereof; and,

FIG. 7 is a side view showing the opposite side of the view shown in FIG. 2.

1 Claim, 7 Drawing Sheets



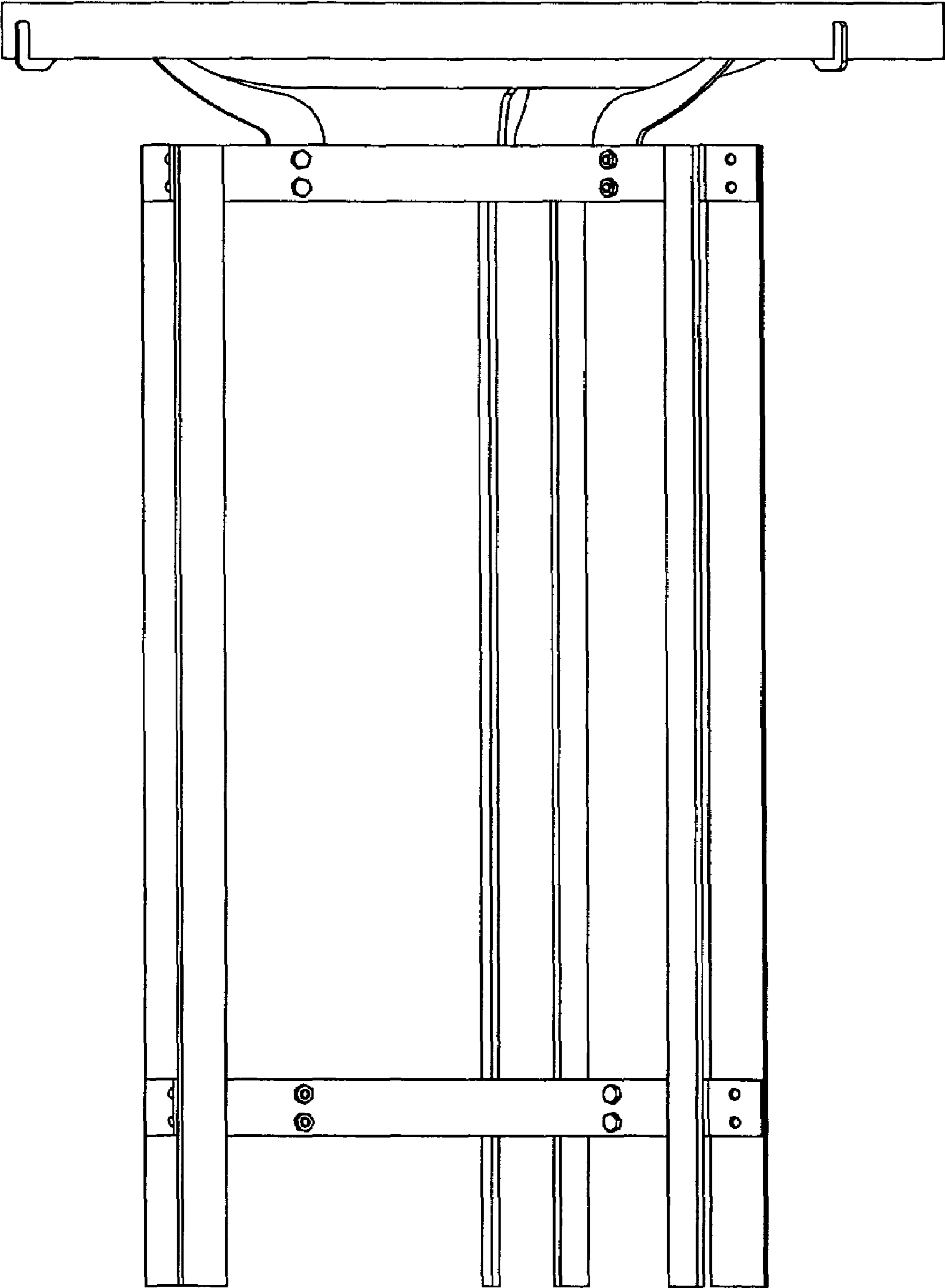


FIG. 1

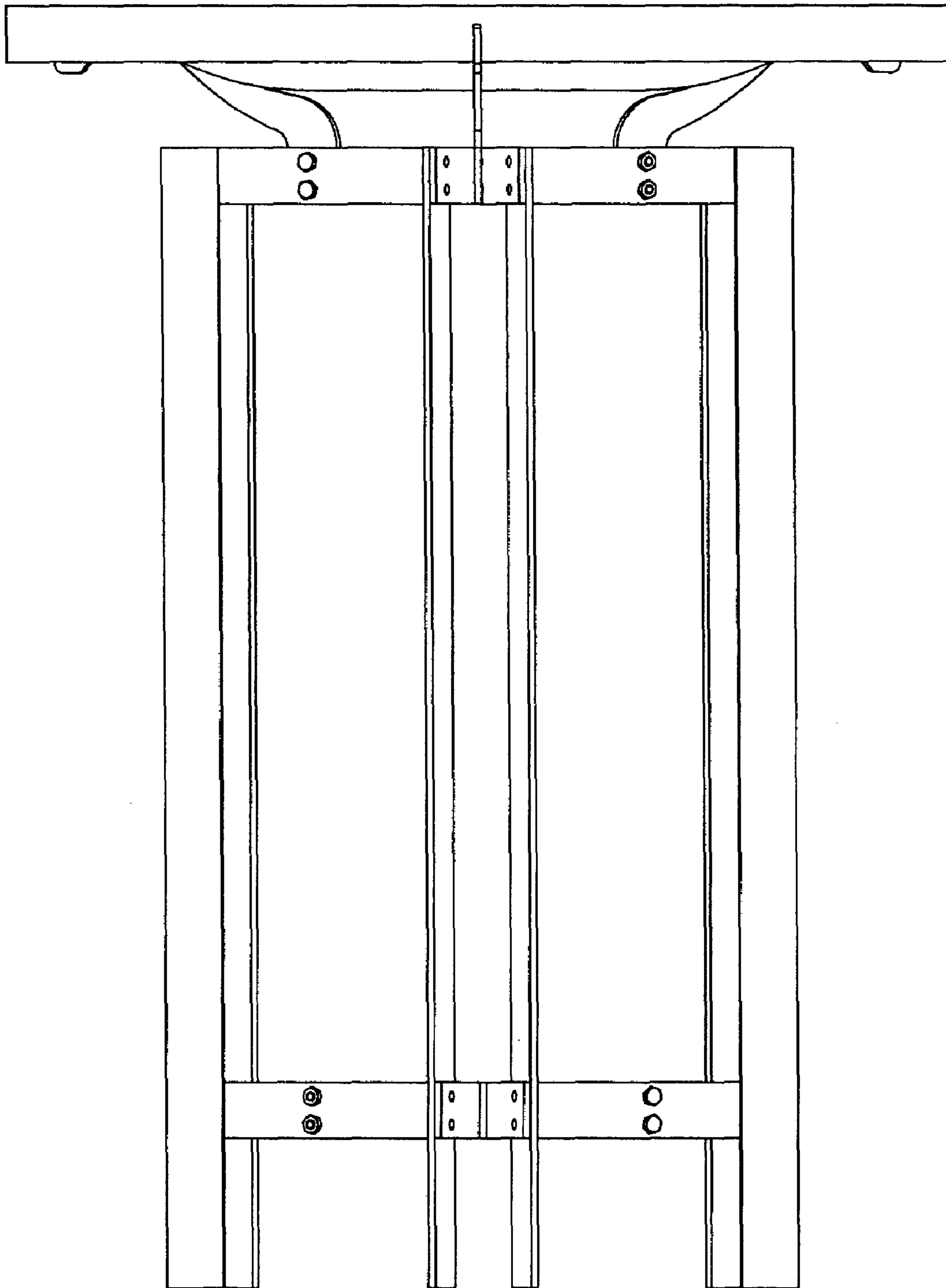


FIG. 2

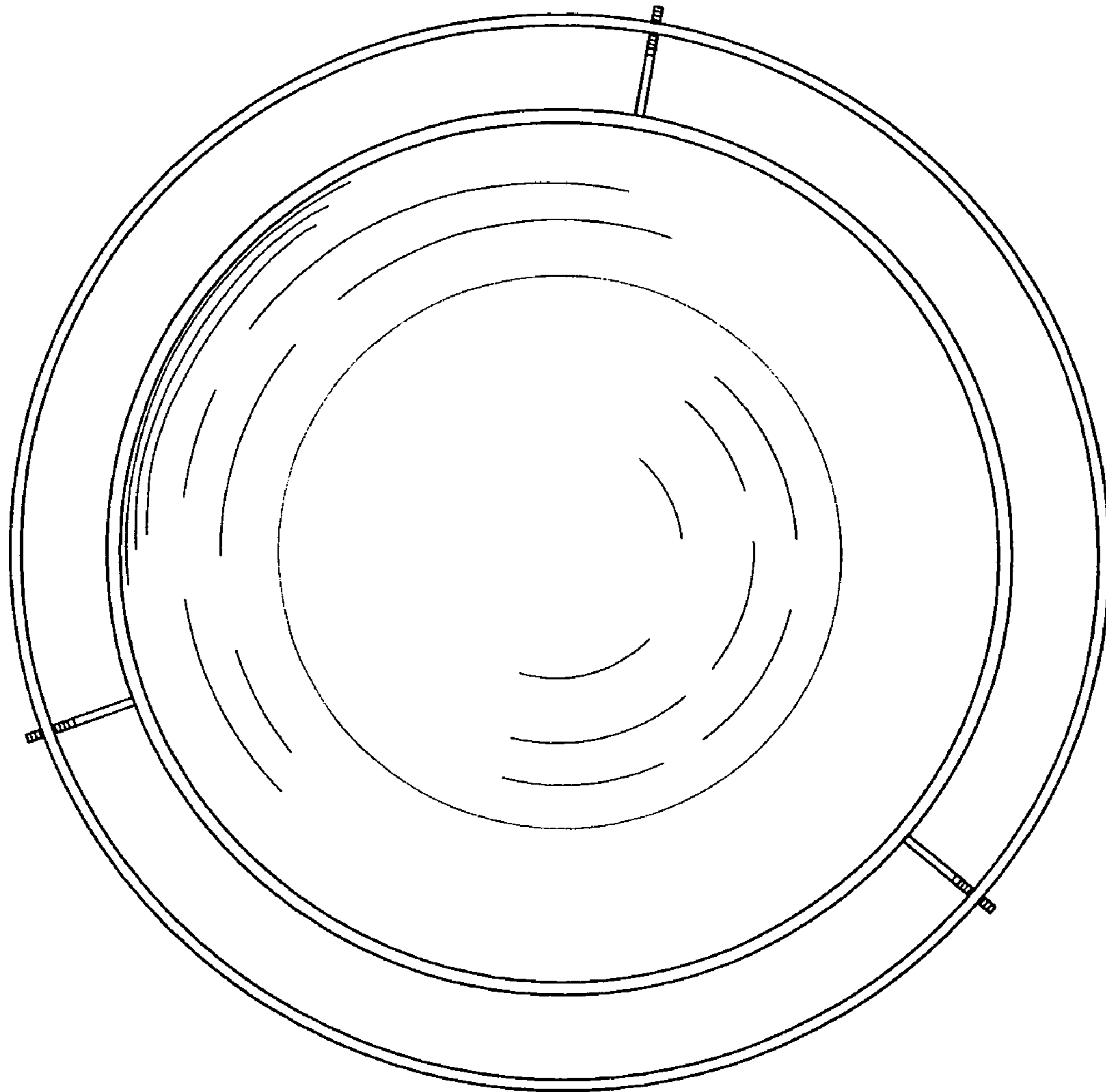


FIG. 3

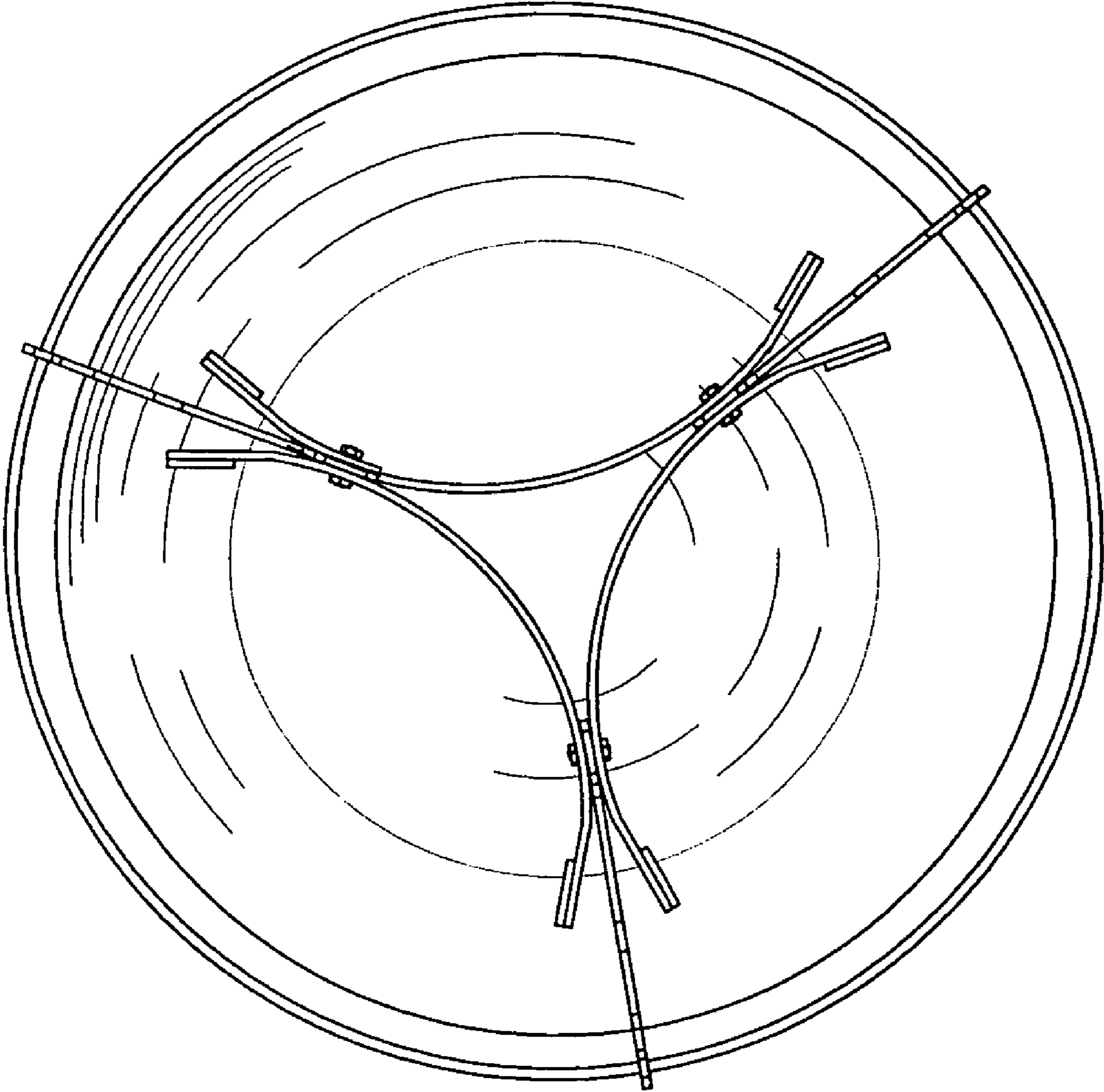


FIG. 4

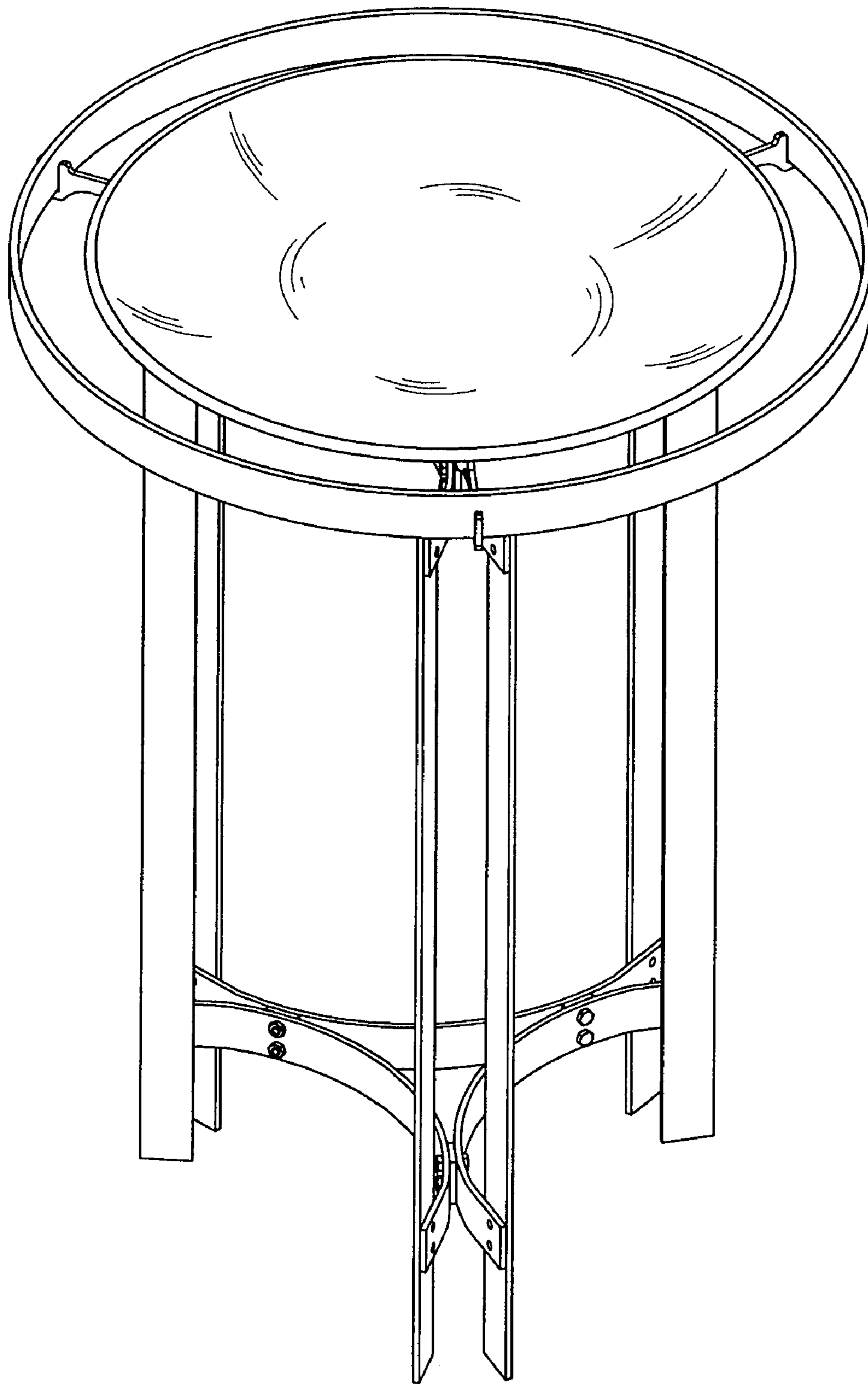


FIG. 5

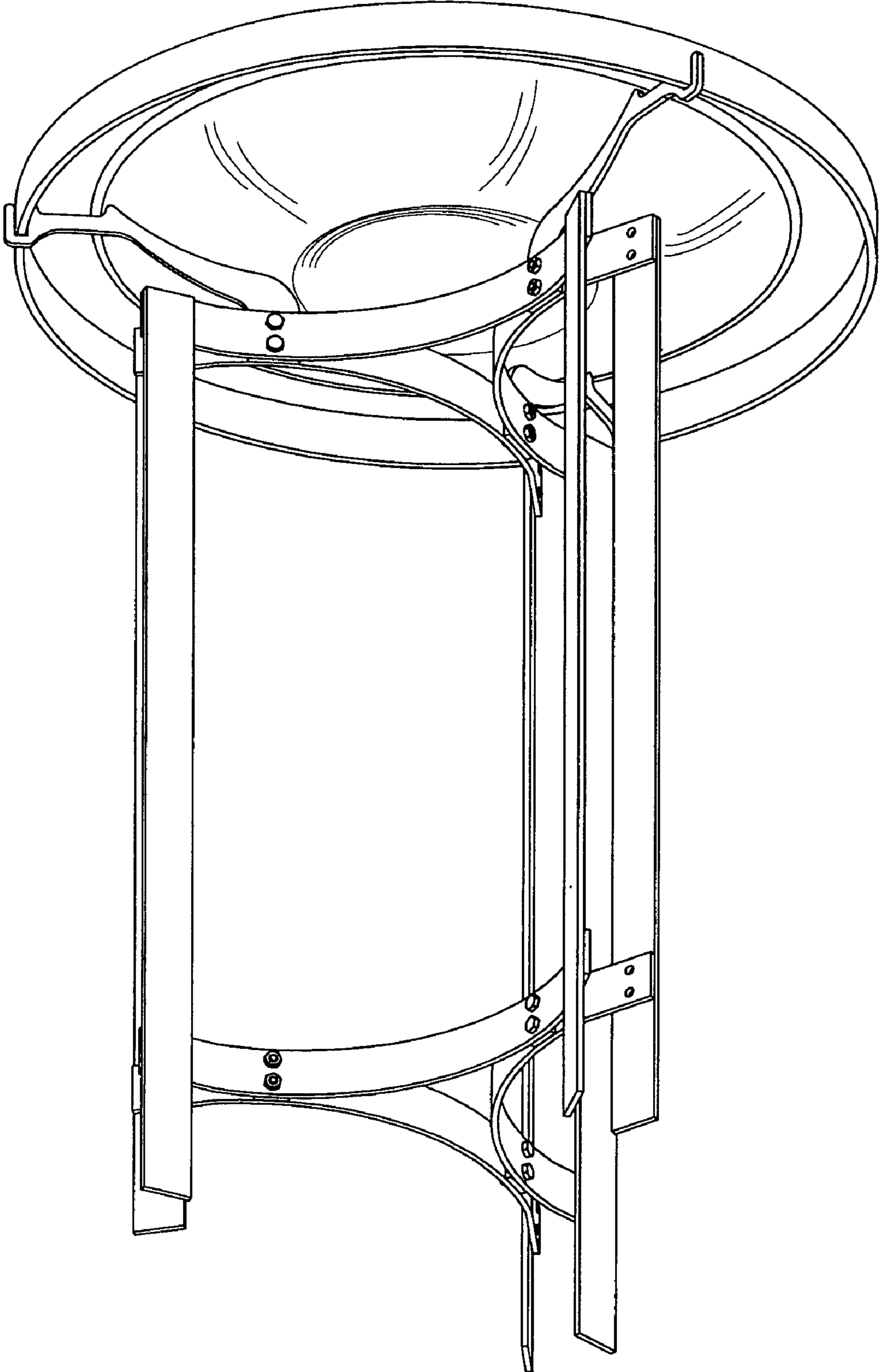


FIG. 6

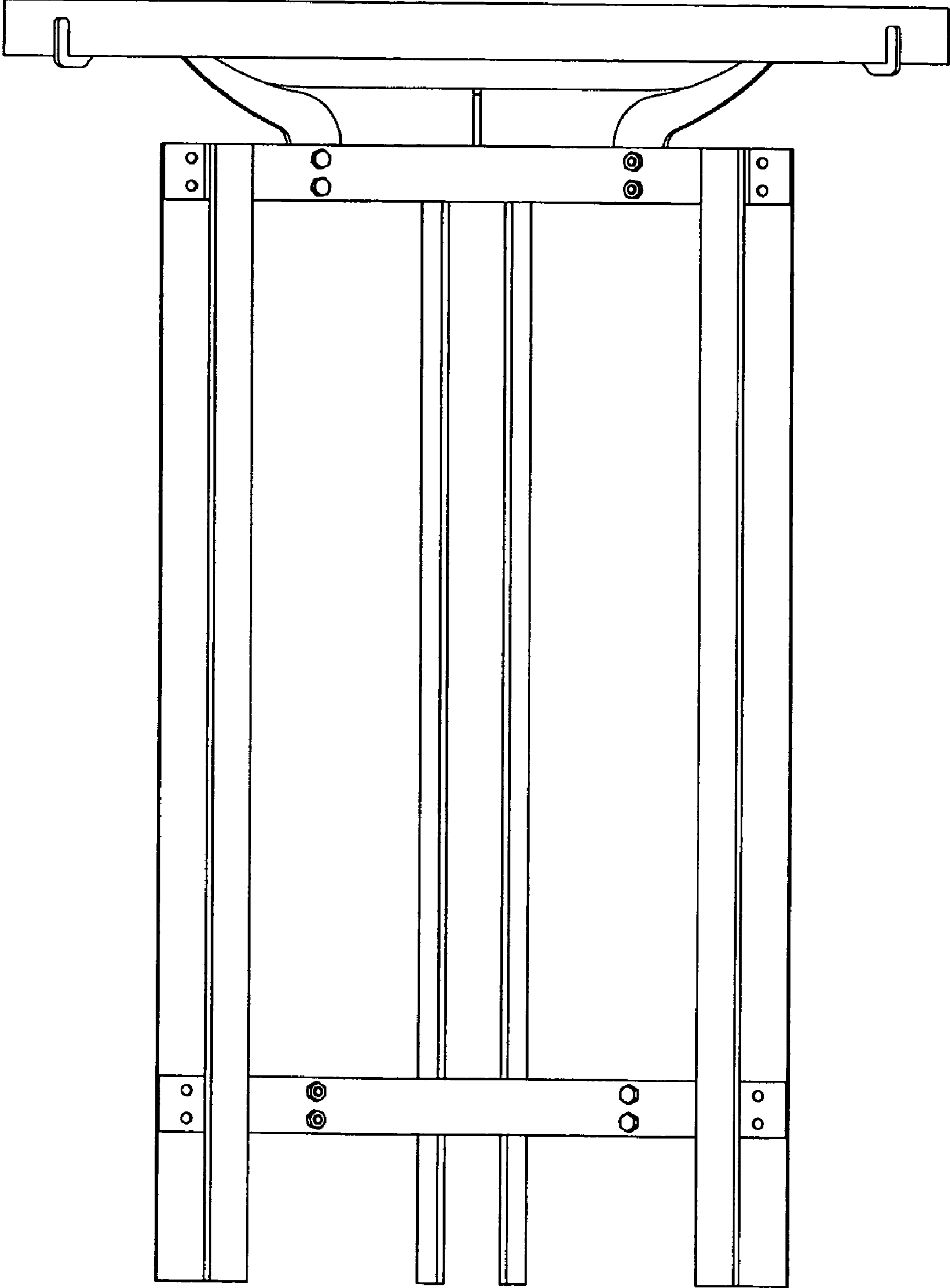


FIG. 7