



US00D549887S

(12) **United States Design Patent**  
**Malnati et al.**

(10) **Patent No.:** **US D549,887 S**

(45) **Date of Patent:** **\*\* Aug. 28, 2007**

(54) **CAGE FOR HOLDING LABORATORY ANIMALS**

(75) Inventors: **Giovanni Malnati**, Malnate (IT); **Paolo Tamborini**, Sommo Lombardo (IT)

(73) Assignee: **Tecniplast S.p.A**, Buguggiate (IT)

(\*\*) Term: **14 Years**

(21) Appl. No.: **29/256,766**

(22) Filed: **Mar. 24, 2006**

(30) **Foreign Application Priority Data**

Sep. 26, 2005 (EM) ..... 000406491

(51) **LOC (8) Cl.** ..... **30-02**

(52) **U.S. Cl.** ..... **D30/108**

(58) **Field of Classification Search** ..... D30/101-107,  
D30/108, 110-112, 117-119, 161; 119/28.5,  
119/161-170, 482, 496-499, 502, 512-513,  
119/712, 245-248, 251, 253-358, 416-420,  
119/475

See application file for complete search history.

(56) **References Cited**

**U.S. PATENT DOCUMENTS**

3,212,474 A \* 10/1965 Higgins et al. .... 119/475  
D218,046 S \* 7/1970 Lee et al. .... D30/108  
4,201,153 A \* 5/1980 Nace ..... 119/246  
4,640,228 A \* 2/1987 Sedlacek et al. .... 119/419  
4,690,100 A \* 9/1987 Thomas ..... 119/419

5,003,922 A \* 4/1991 Niki et al. .... 119/418  
5,044,316 A \* 9/1991 Thomas ..... 119/419  
5,474,024 A \* 12/1995 Hallock ..... 119/417  
5,865,144 A \* 2/1999 Semenuk ..... 119/456  
6,112,701 A \* 9/2000 Faith et al. .... 119/475  
6,302,059 B1 \* 10/2001 Faith et al. .... 119/417  
6,588,373 B1 \* 7/2003 Strzempko et al. .... 119/496  
D533,971 S \* 12/2006 Carter et al. .... D30/108  
2002/0069834 A1 \* 6/2002 Deitrich et al. .... 119/419  
2004/0231611 A1 \* 11/2004 Gabriel et al. .... 119/475  
2005/0028751 A1 \* 2/2005 Strzempko et al. .... 119/496  
2006/0124072 A1 \* 6/2006 Conger et al. .... 119/417

\* cited by examiner

*Primary Examiner*—Cathy Anne MacCormac

(74) *Attorney, Agent, or Firm*—Abelman, Frayne & Schwab

(57) **CLAIM**

The ornamental design for a cage for holding laboratory animals, is shown and described.

**DESCRIPTION**

FIG. 1 is a perspective view of the cage for holding laboratory animals showing our new design;

FIG. 2 is a rear elevation view thereof;

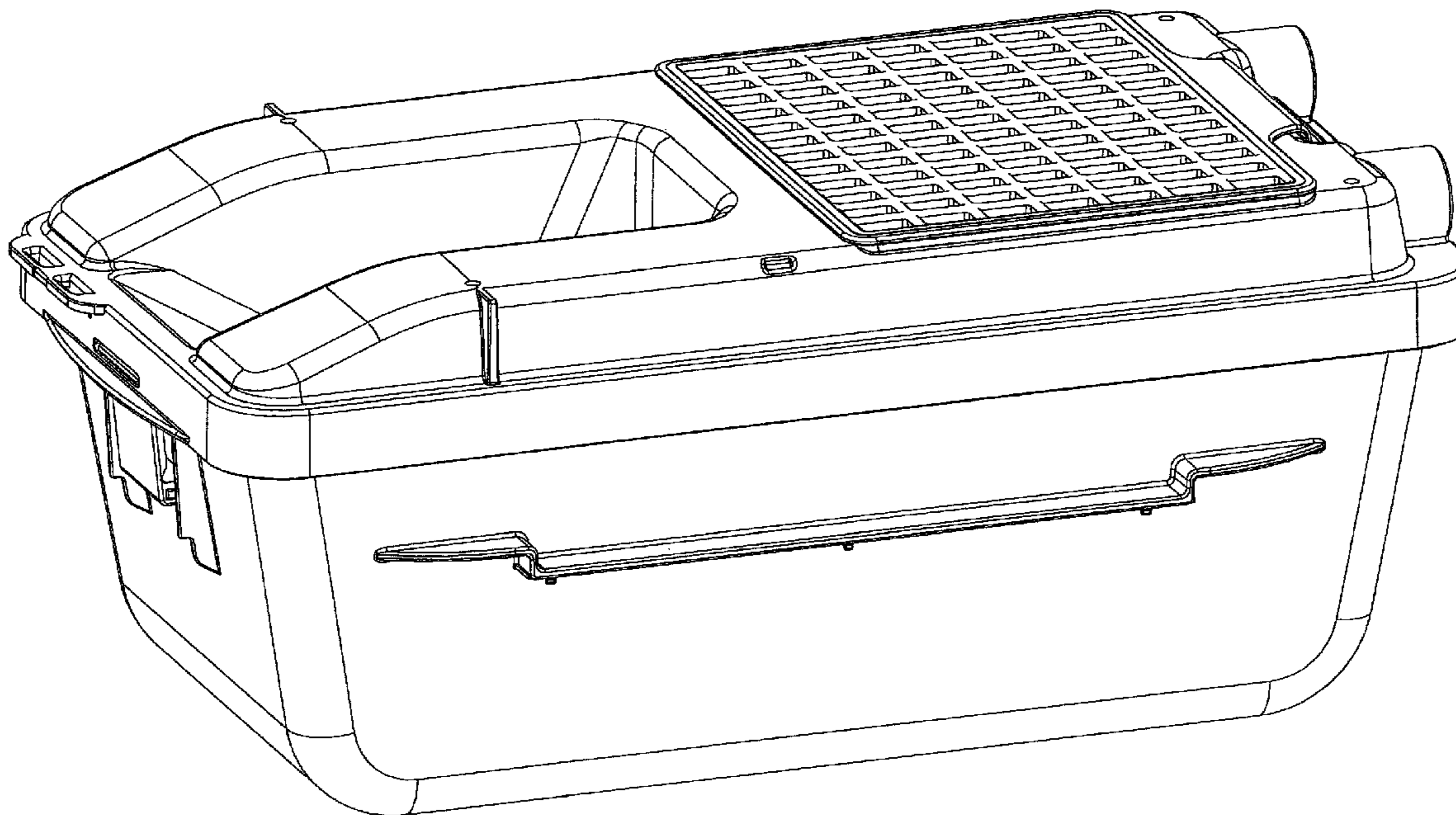
FIG. 3 is a left side elevation view thereof;

FIG. 4 is a front elevation view thereof;

FIG. 5 is a top plan view thereof; and,

FIG. 6 is a bottom plan view thereof.

**1 Claim, 6 Drawing Sheets**



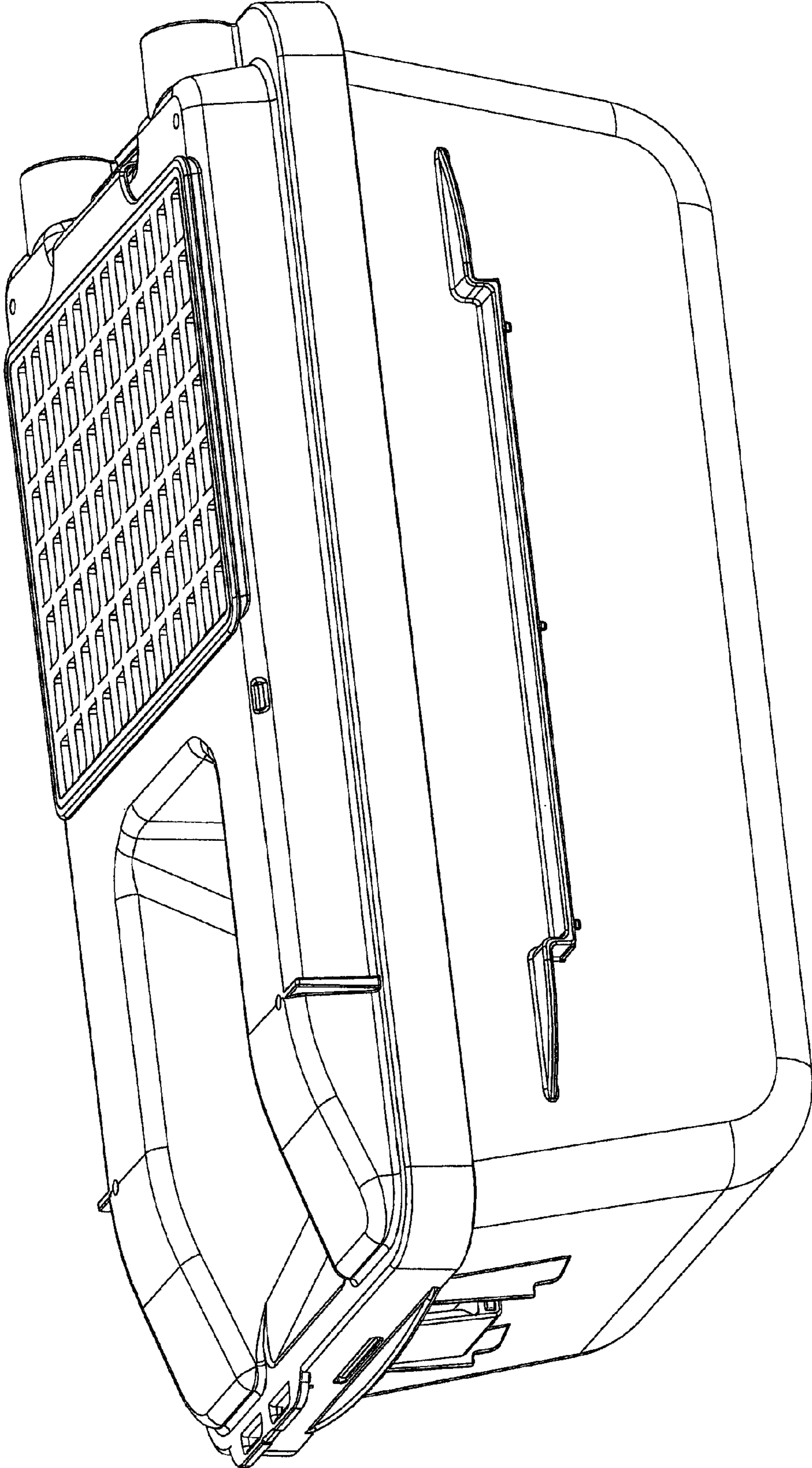


FIG. 1

FIG. 2

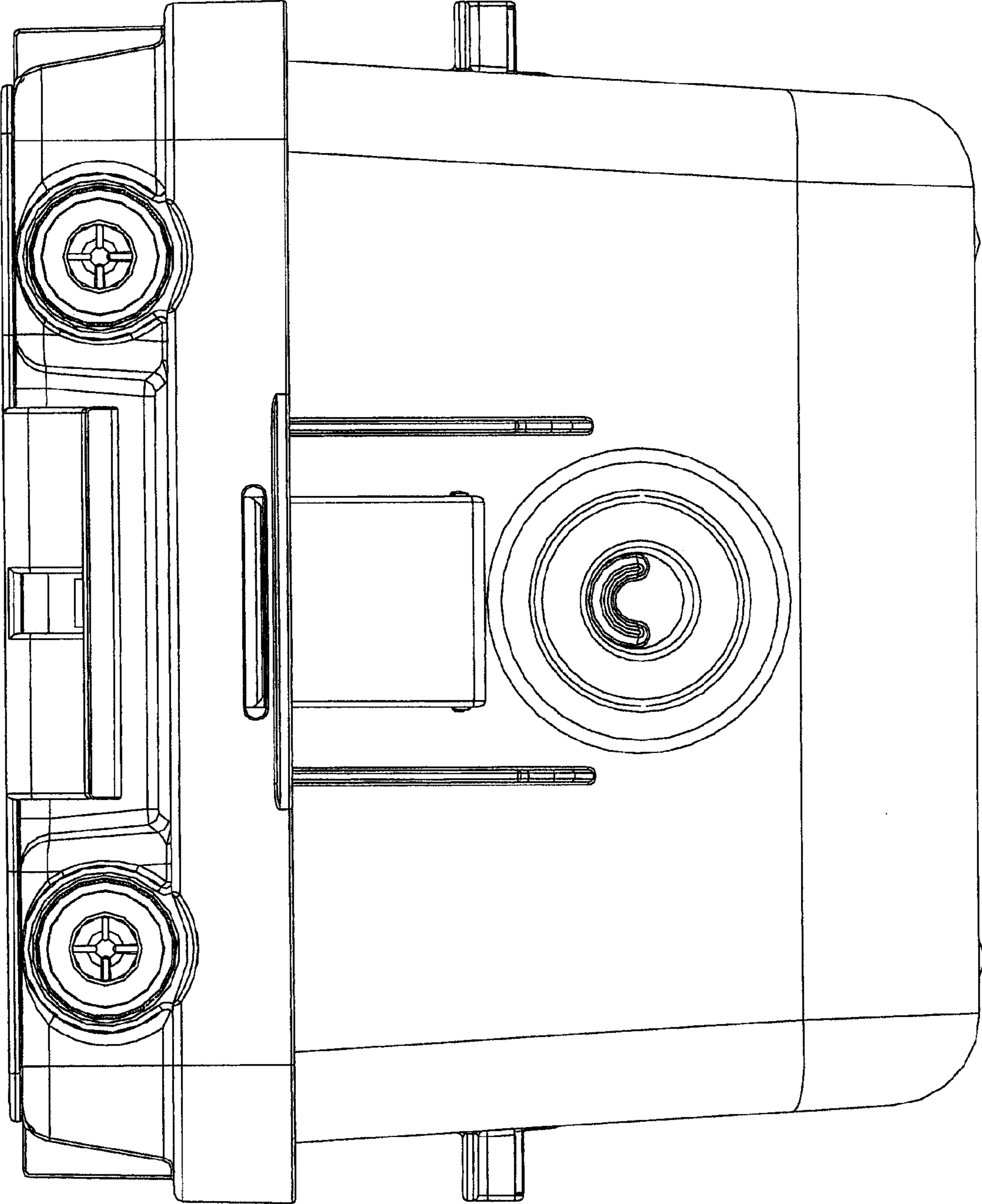


FIG. 3

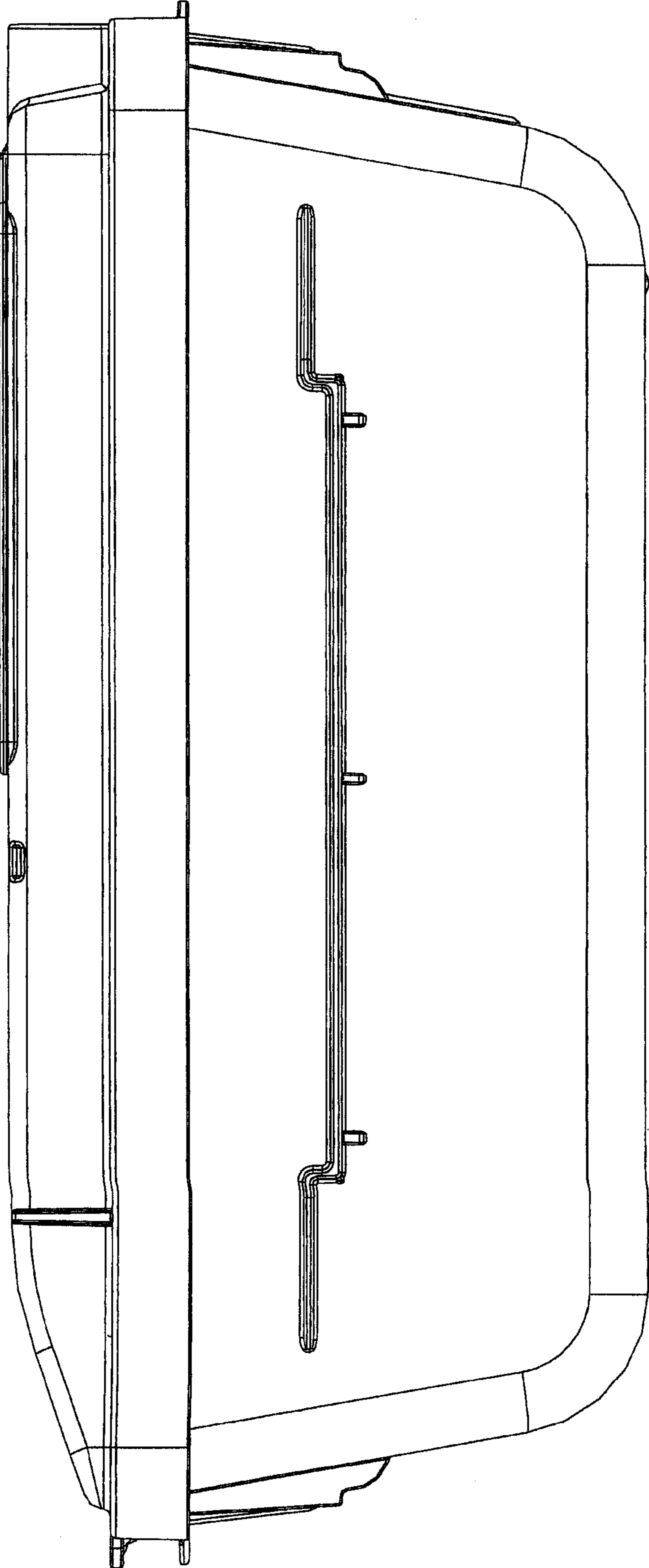
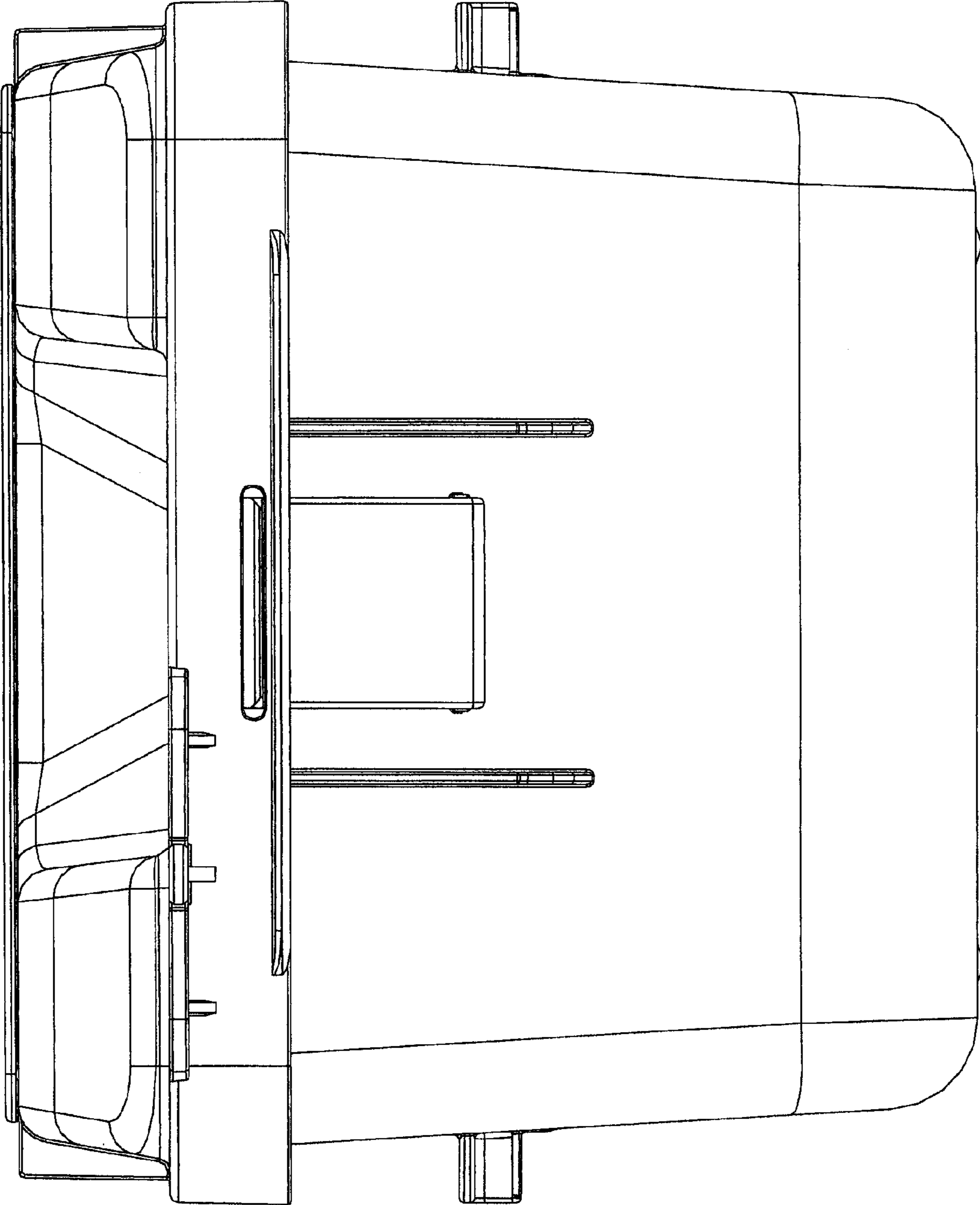




FIG. 4



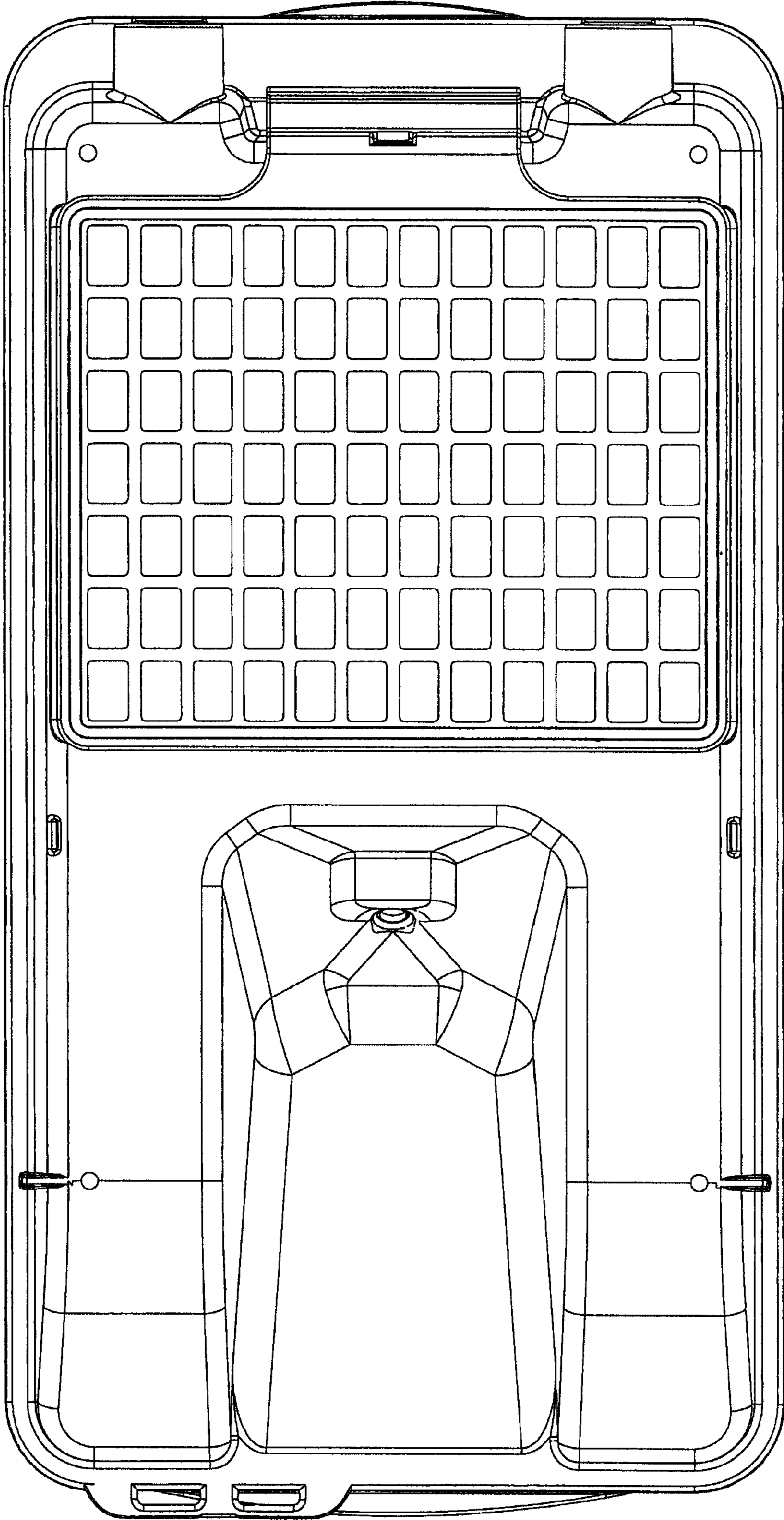


FIG. 5

FIG. 6

