

US00D549876S

(12) **United States Design Patent**
Le

(10) **Patent No.:** **US D549,876 S**

(45) **Date of Patent:** **** Aug. 28, 2007**

(54) **PEDICURE SPA**

(75) Inventor: **Thanh Van Le**, Richardson, TX (US)

(73) Assignee: **Beauty Mall Ltd.**, Garland, TX (US)

(**) Term: **14 Years**

(21) Appl. No.: **29/277,195**

(22) Filed: **Feb. 16, 2007**

(51) **LOC (8) Cl.** **28-03**

(52) **U.S. Cl.** **D28/56; D24/205**

(58) **Field of Classification Search** 4/541.1–541.6,
4/546, 574.1, 622; D28/9, 56, 57, 61; D24/204,
D24/205

See application file for complete search history.

(56) **References Cited**

U.S. PATENT DOCUMENTS

D429,379 S * 8/2000 Kim D28/56
D429,380 S * 8/2000 Fontier et al. D28/56
2004/0060108 A1* 4/2004 Hoon Park 4/622

2006/0101572 A1* 5/2006 Masuda 4/541.5

* cited by examiner

Primary Examiner—Jennifer Rivard

(74) *Attorney, Agent, or Firm*—Fish & Richardson P.C.

(57) **CLAIM**

The ornamental design for a pedicure spa, as shown and described.

DESCRIPTION

FIG. 1 is a perspective view of a pedicure spa showing my new design;

FIG. 2 is a side view of a first side thereof, and the opposite side is a mirror image of the side view shown in FIG. 2;

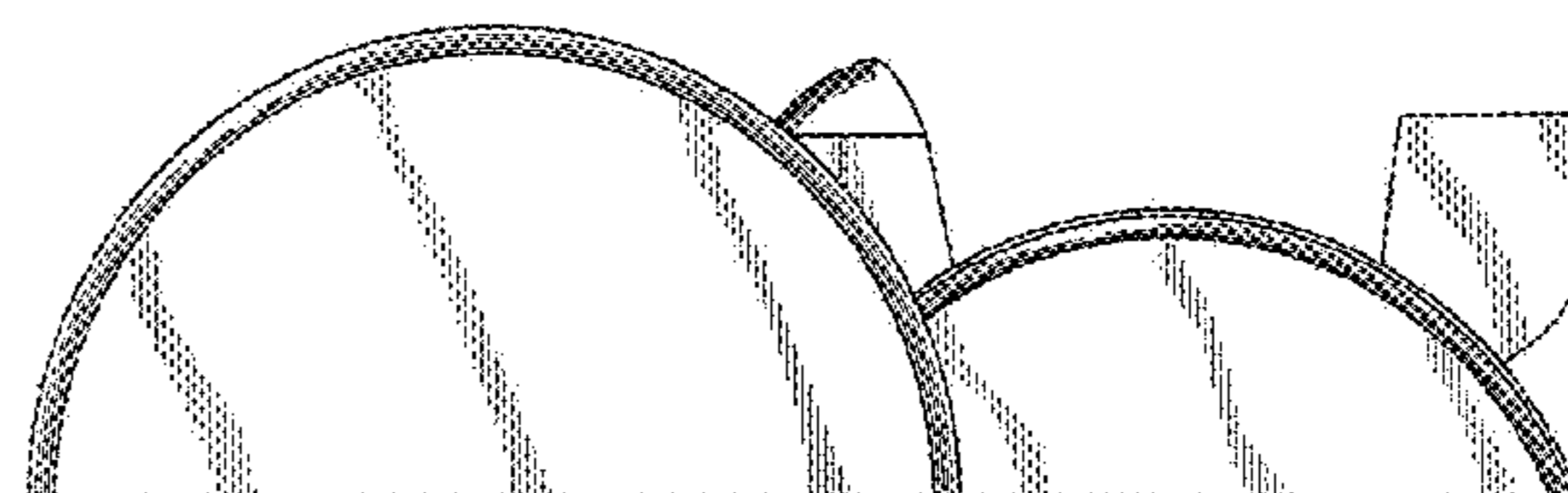
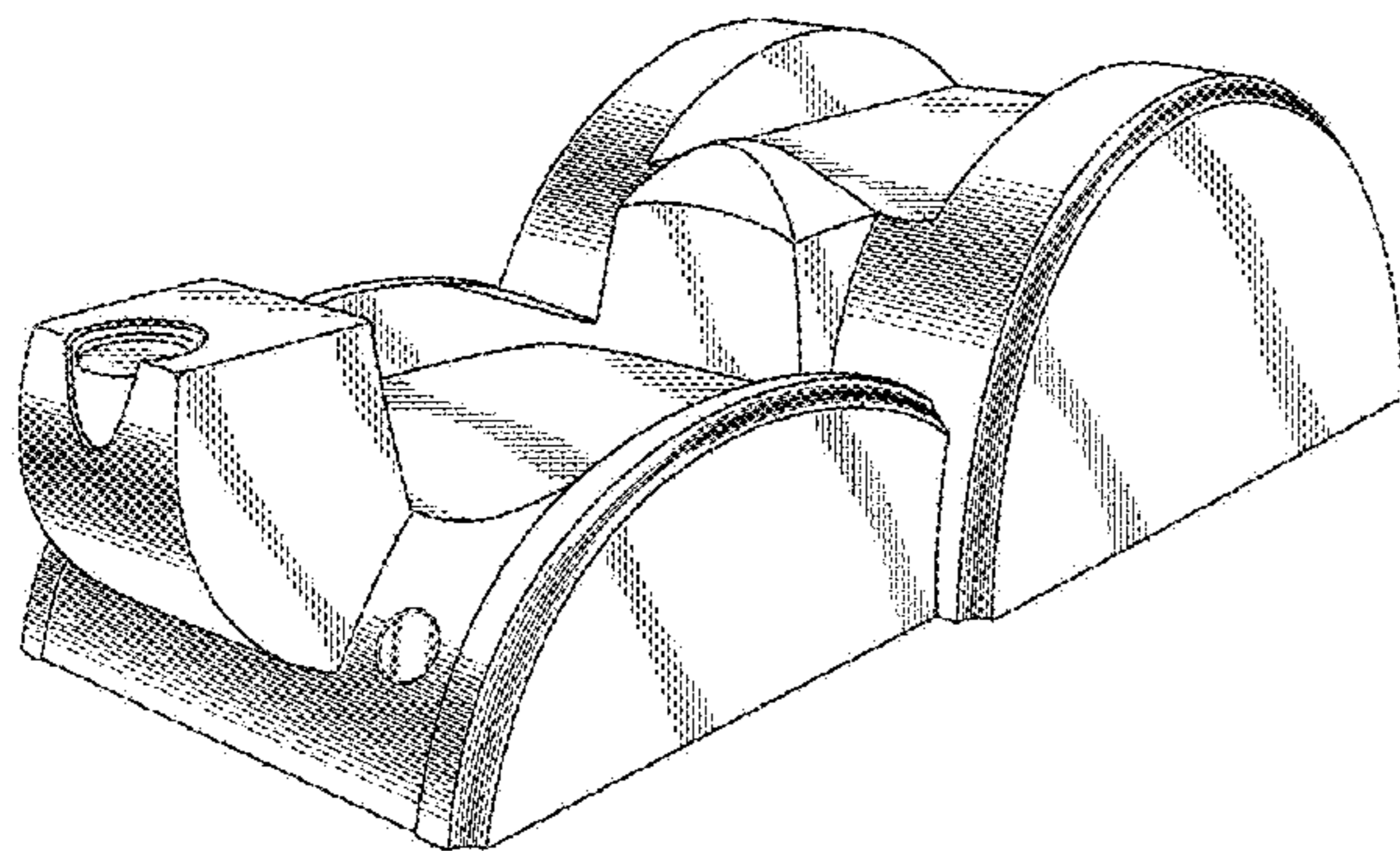
FIG. 3 is a top view thereof;

FIG. 4 is a back view thereof; and,

FIG. 5 is a front view thereof.

The bottom does not form part of the claimed design.

1 Claim, 2 Drawing Sheets



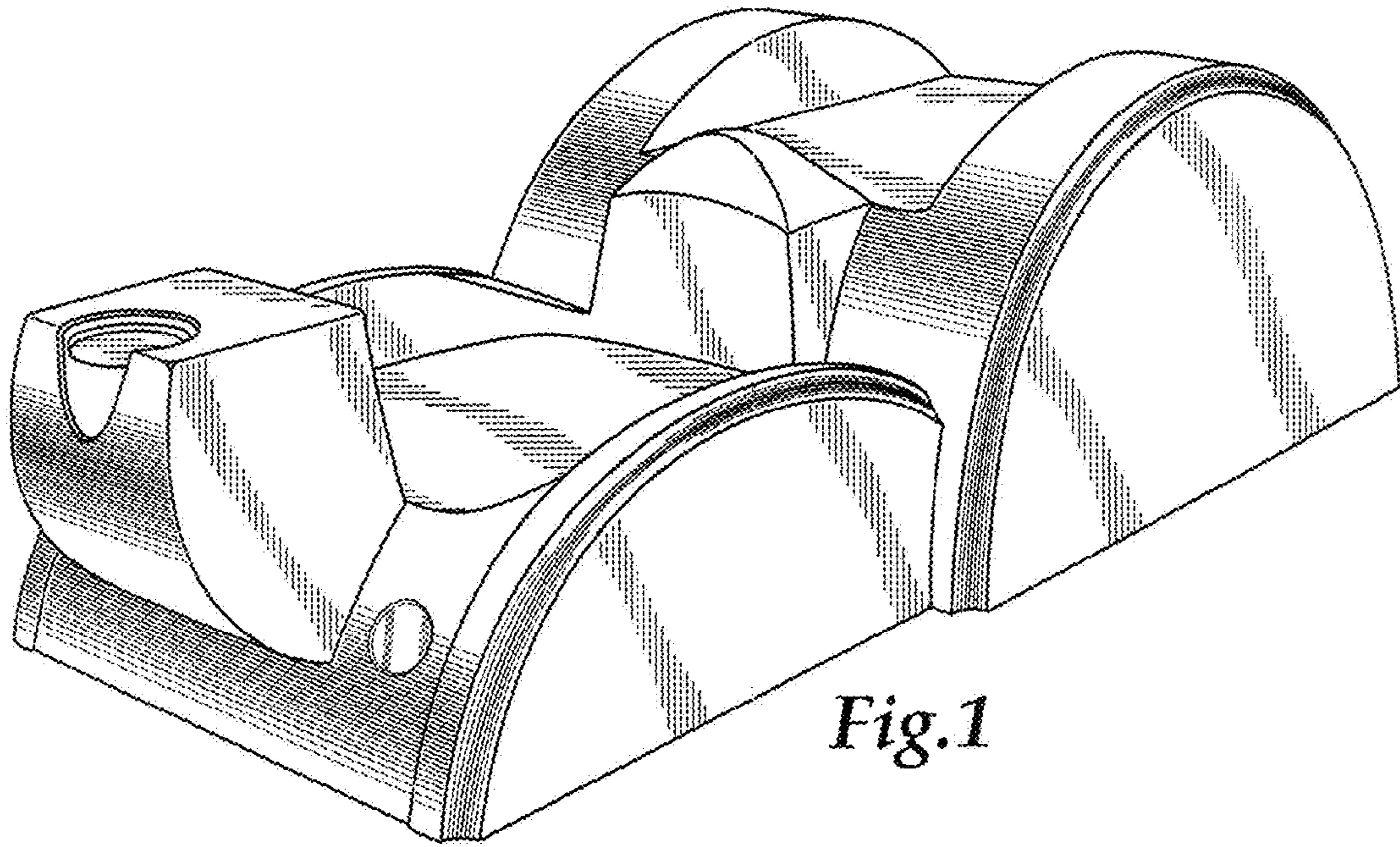


Fig.1

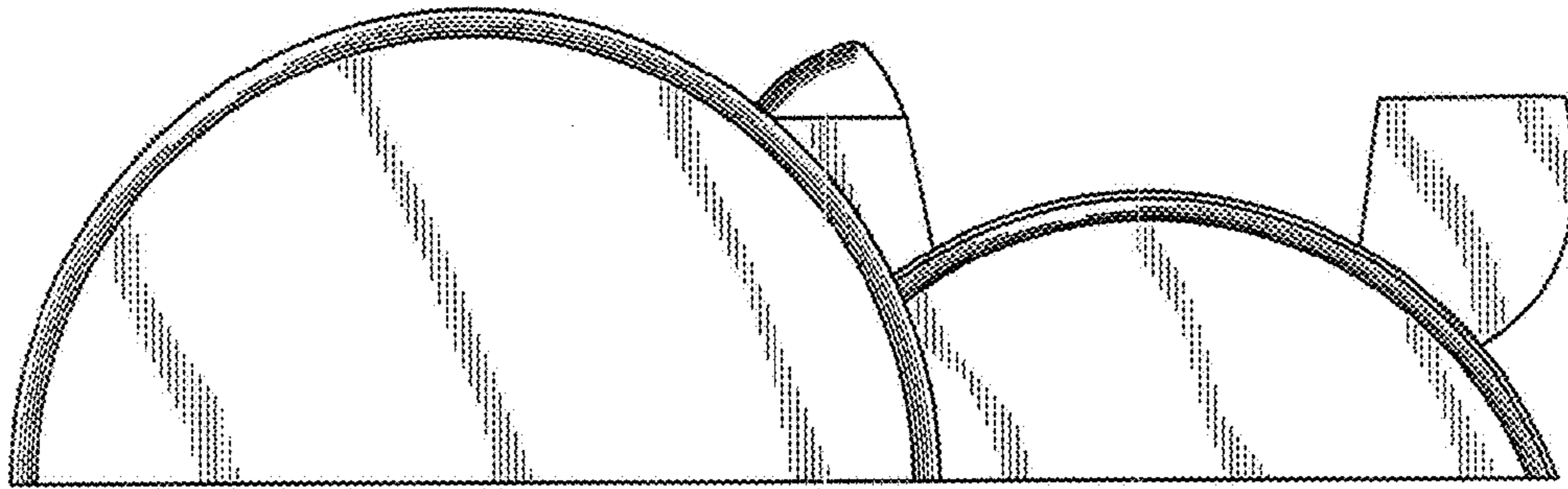


Fig.2

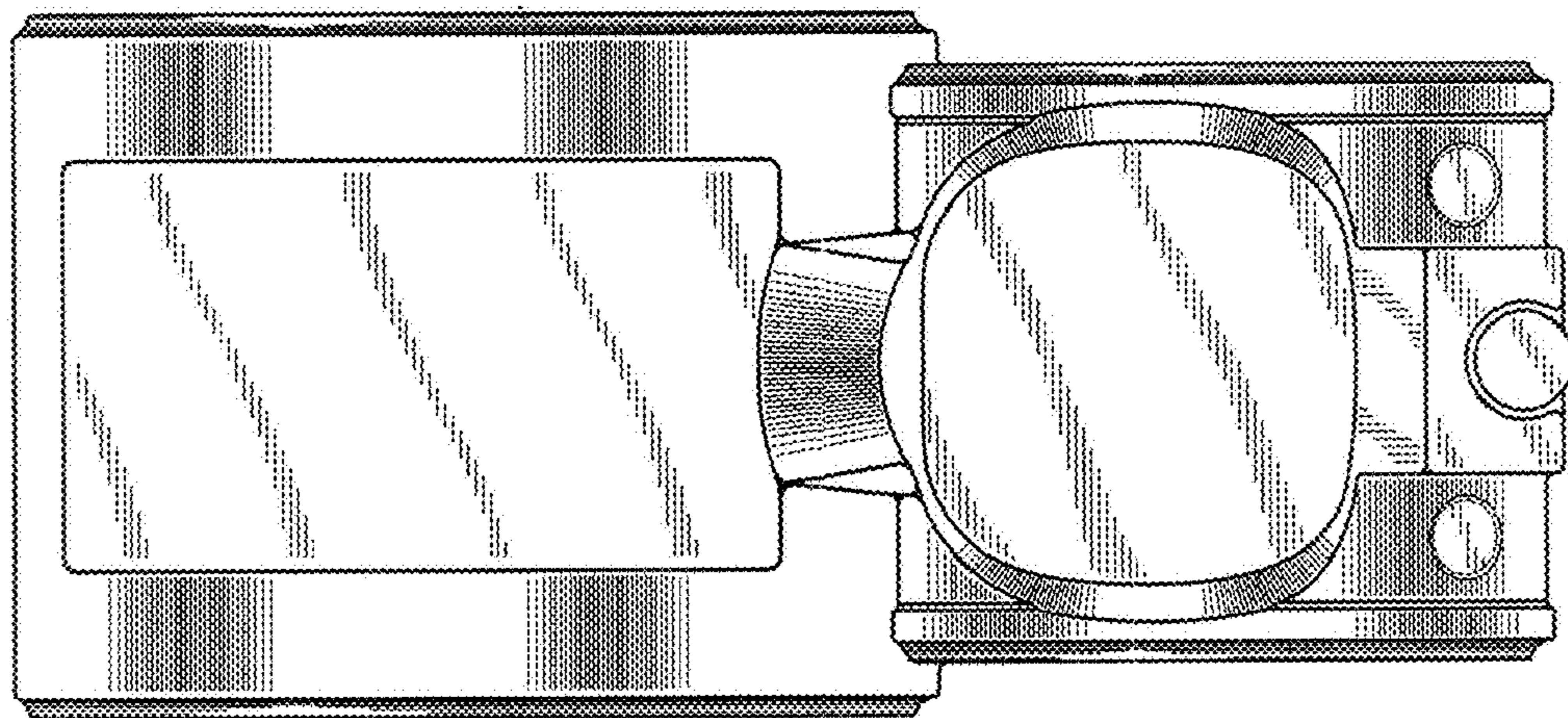


Fig.3

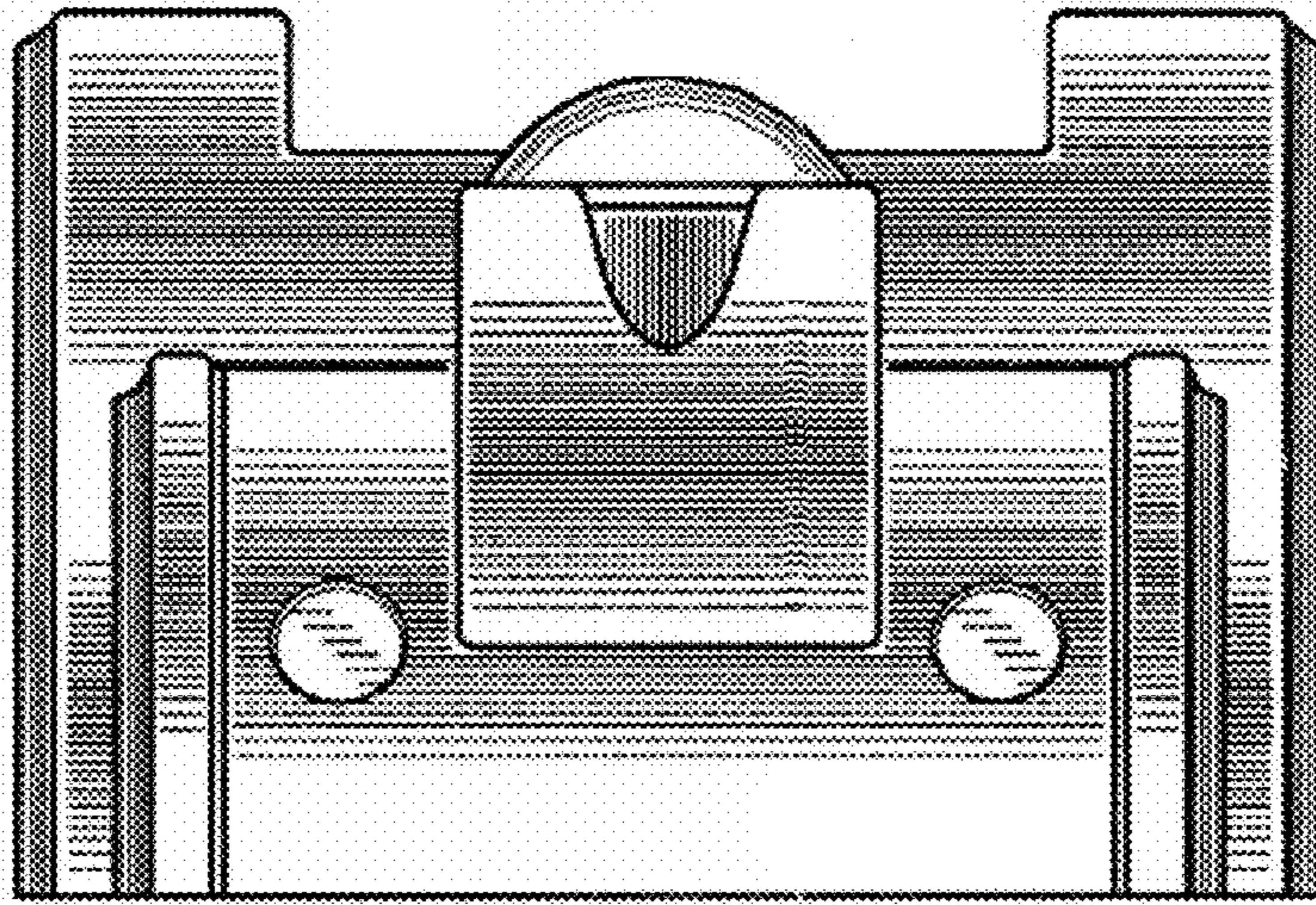


Fig. 4

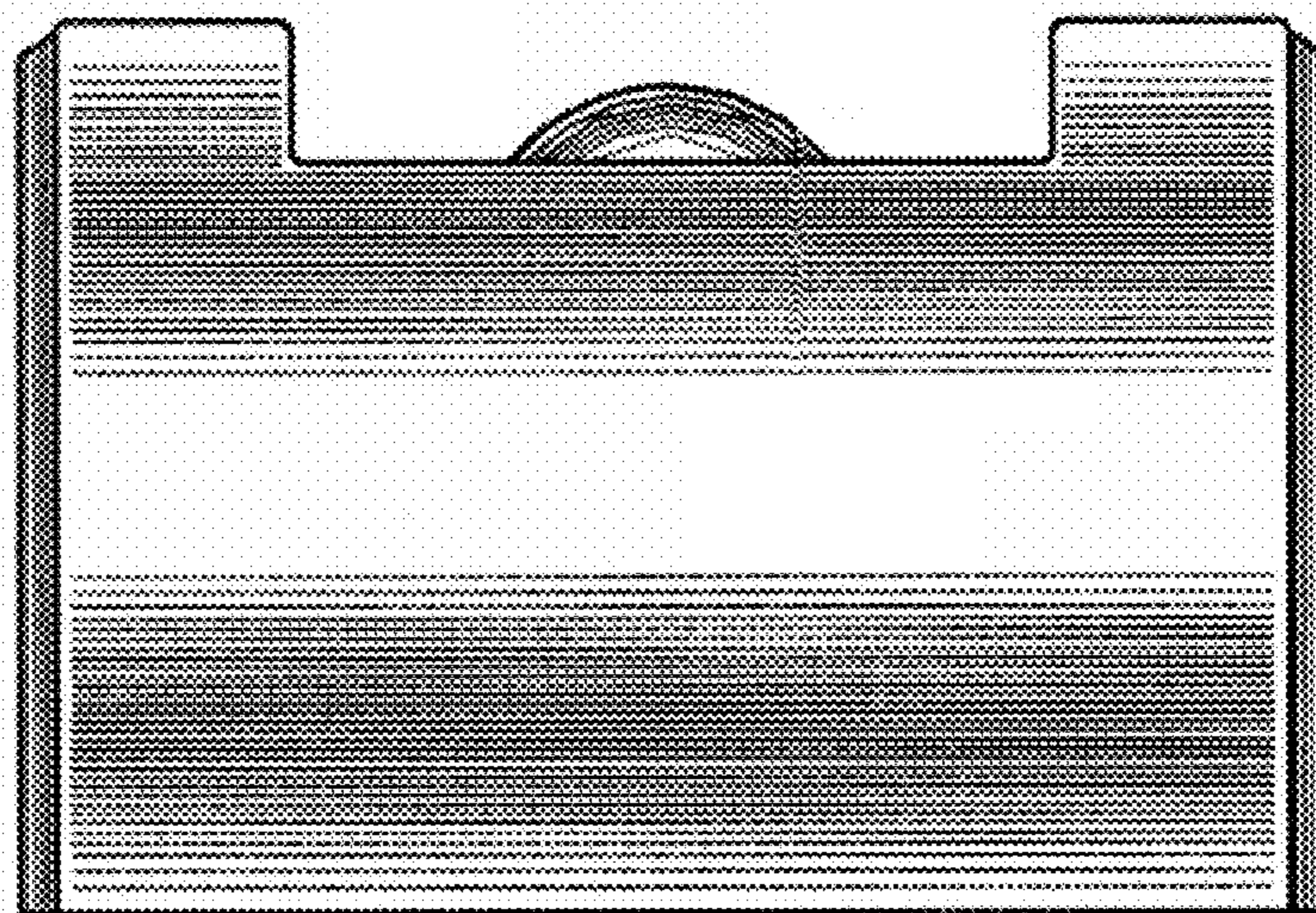


Fig. 5