



US00D549872S

(12) **United States Design Patent**
Gordon

(10) **Patent No.:** **US D549,872 S**

(45) **Date of Patent:** **** Aug. 28, 2007**

(54) **PROTECTIVE HEADGEAR FOR USE WITH HOODED DRYERS**

(76) Inventor: **Sheila T. Gordon**, 8096 Birchwalk Dr., Riverdale, GA (US) 30274

(**) Term: **14 Years**

(21) Appl. No.: **29/240,415**

(22) Filed: **Oct. 13, 2005**

(51) **LOC (8) Cl.** **28-03**

(52) **U.S. Cl.** **D28/18**

(58) **Field of Classification Search** D28/12-19;
34/96-101, 99; 392/380, 381, 382, 383, 384,
392/385; 219/222; 2/174

See application file for complete search history.

(56) **References Cited**

U.S. PATENT DOCUMENTS

2,205,972	A	*	6/1940	Davis	34/90
2,261,248	A	*	11/1941	Graham	34/90
2,290,455	A	*	7/1942	Cook	34/99
2,295,820	A	*	9/1942	Wright	34/99
2,296,484	A	*	9/1942	Thompson	34/90
2,298,170	A	*	10/1942	Robinson	34/90
2,346,558	A	*	4/1944	Coventry	34/90
2,453,364	A	*	11/1948	Fears	34/90
3,261,107	A	*	7/1966	Ponczek et al.	34/99
3,372,491	A	*	3/1968	Norrison	34/99

4,704,744	A	11/1987	Myers	
4,934,068	A	6/1990	Curlee	
5,673,494	A	10/1997	Pham	
5,887,357	A	3/1999	McNair	
6,029,364	A	2/2000	Pickett	
6,049,994	A	*	4/2000	Pickett 34/99
D424,239	S	5/2000	Key	

* cited by examiner

Primary Examiner—Janice Seeger
Assistant Examiner—Zenia I. Bennett

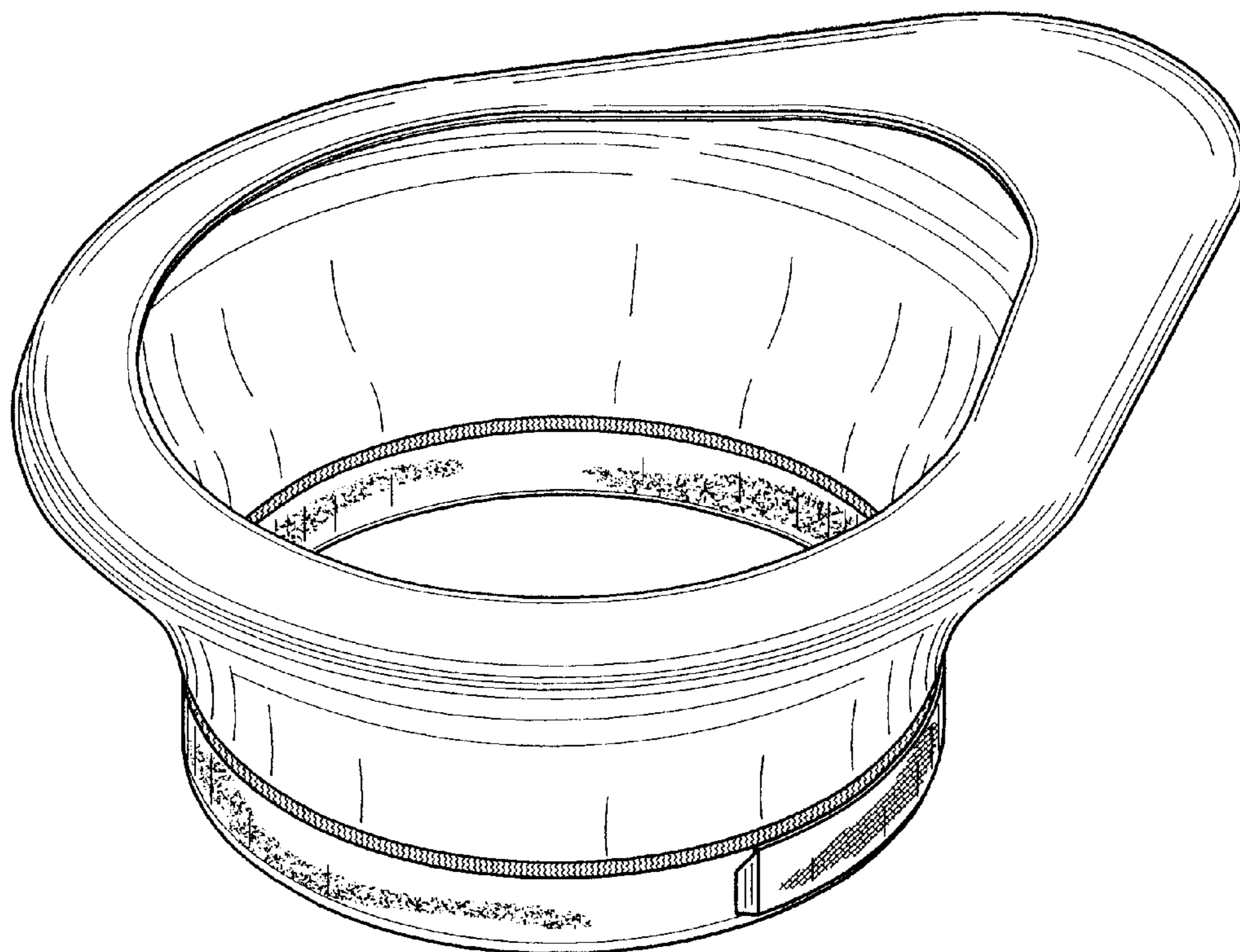
(57) **CLAIM**

The ornamental design for protective headgear for use with hooded dryers, as shown and described.

DESCRIPTION

FIG. 1 is a front elevational view of a protective headgear for the use with hooded dryers showing my new design; FIG. 2 is a rear elevational view thereof; FIG. 3 is a side elevational view thereof; FIG. 4 is a top plan view thereof; FIG. 5 is a bottom plan view thereof; FIG. 6 is a top front perspective view ; and, FIG. 7 is a perspective view shown in use. The broken lines shown in FIG. 7 are for illustrative purposes only and form no part of the Applicant's claimed invention.

1 Claim, 4 Drawing Sheets



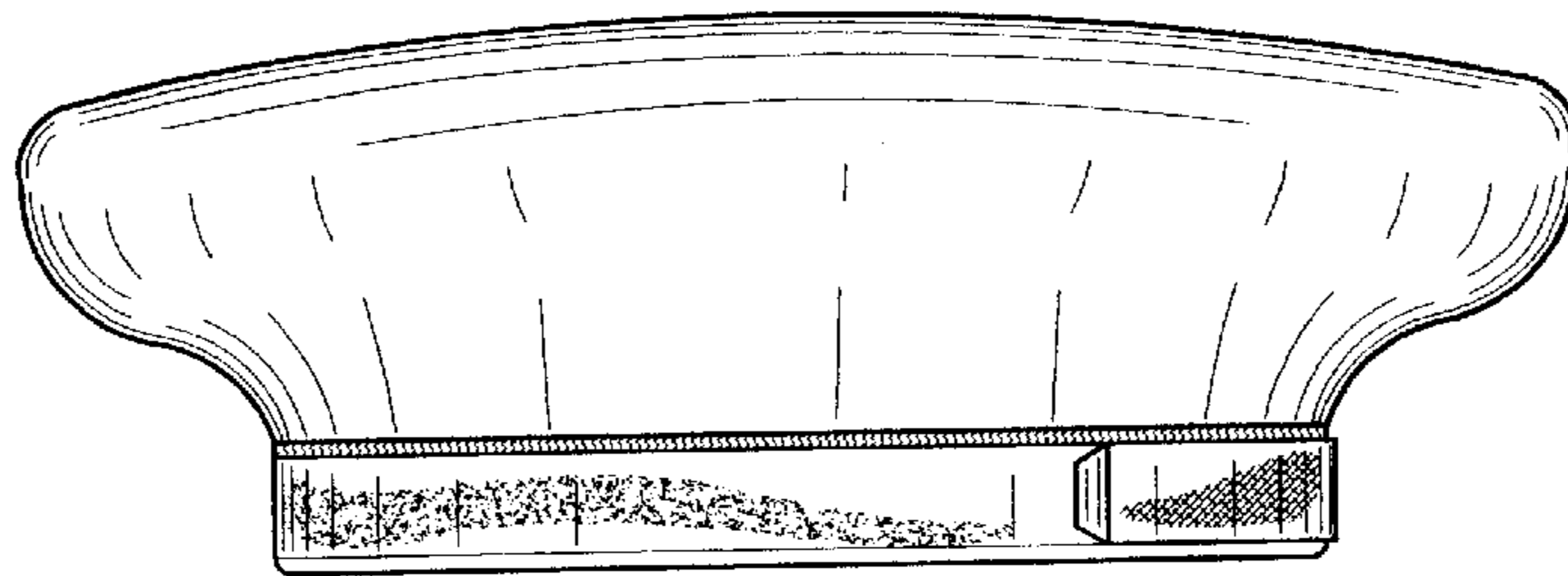


FIG. 1

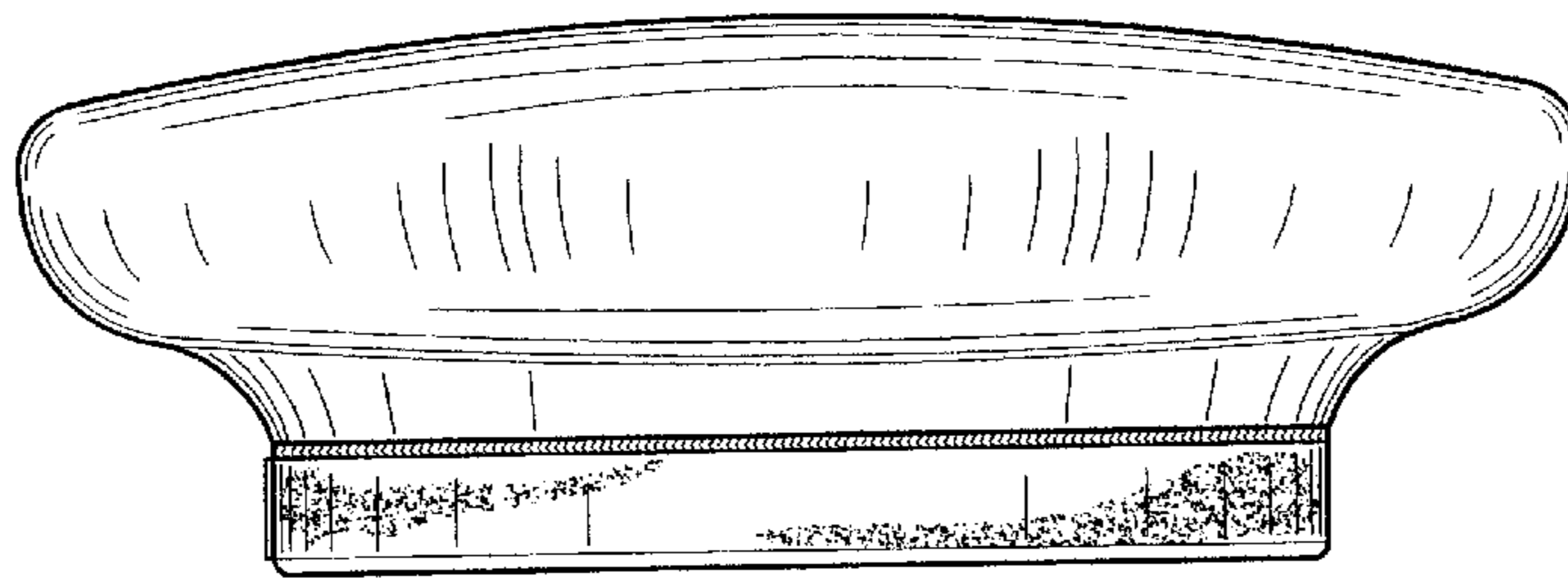


FIG. 2

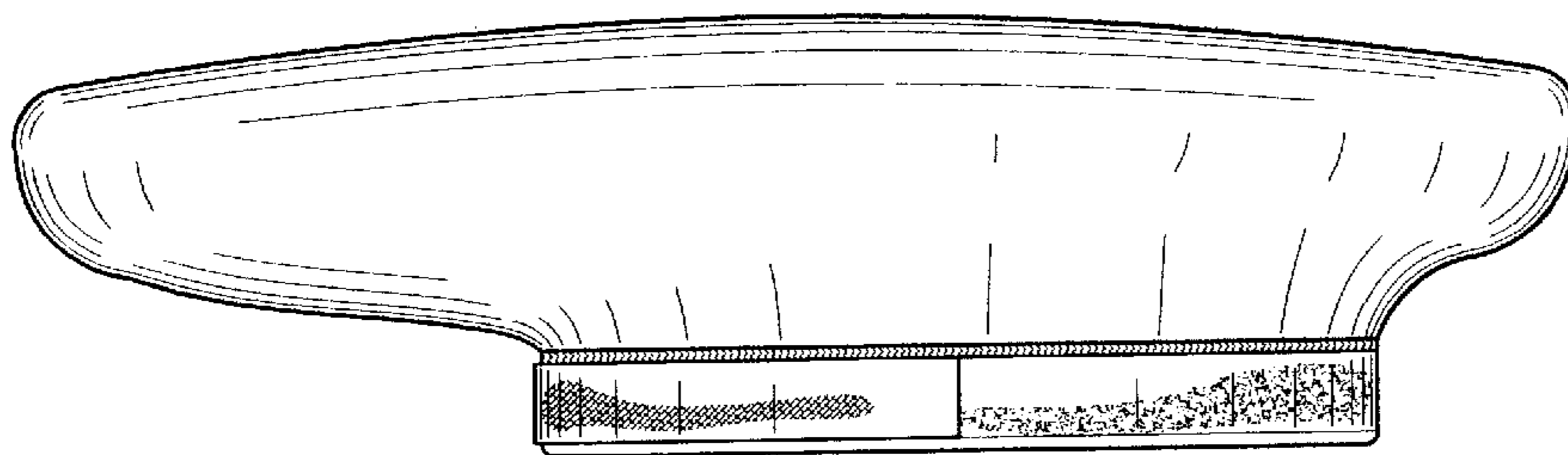


FIG. 3

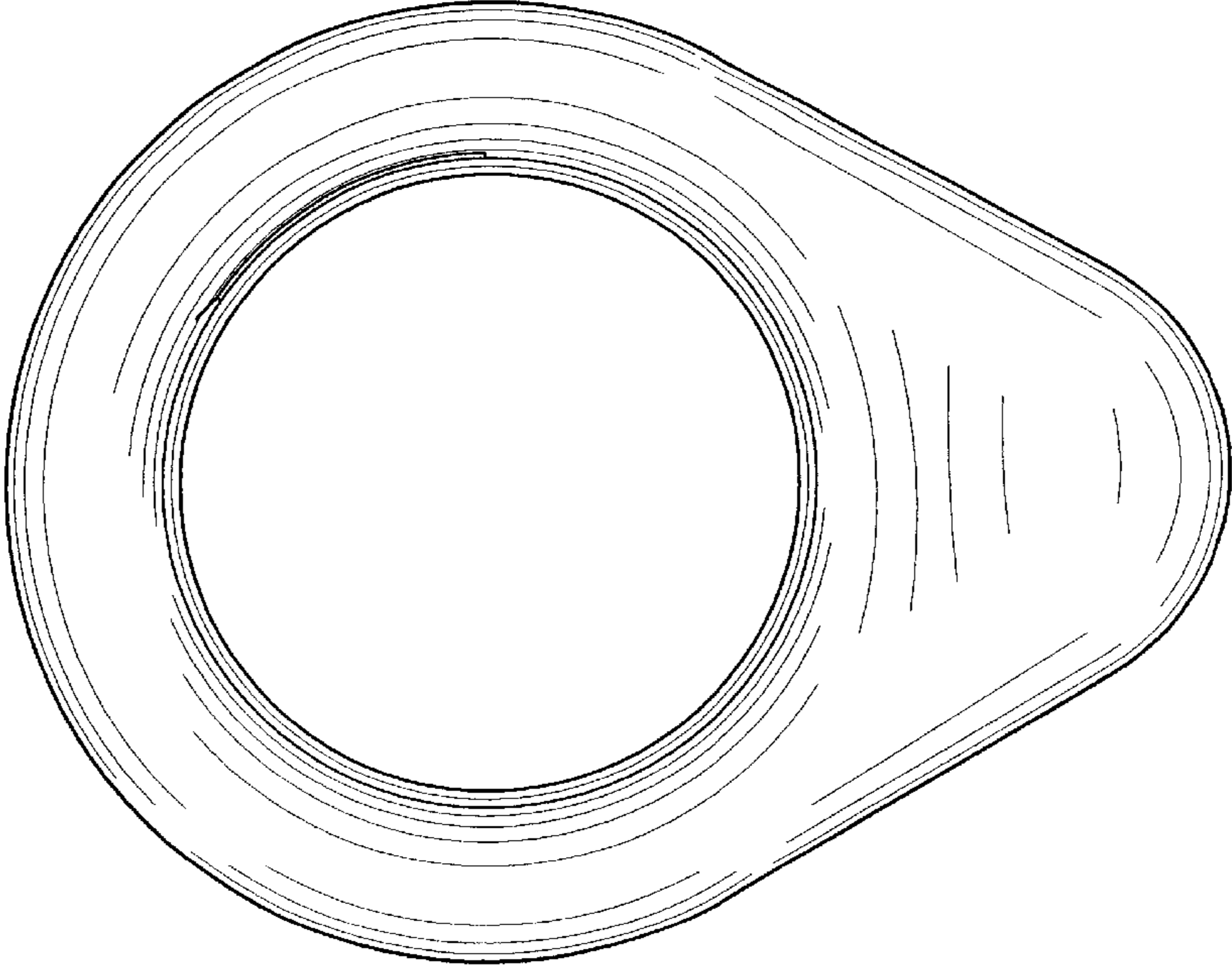


FIG. 5

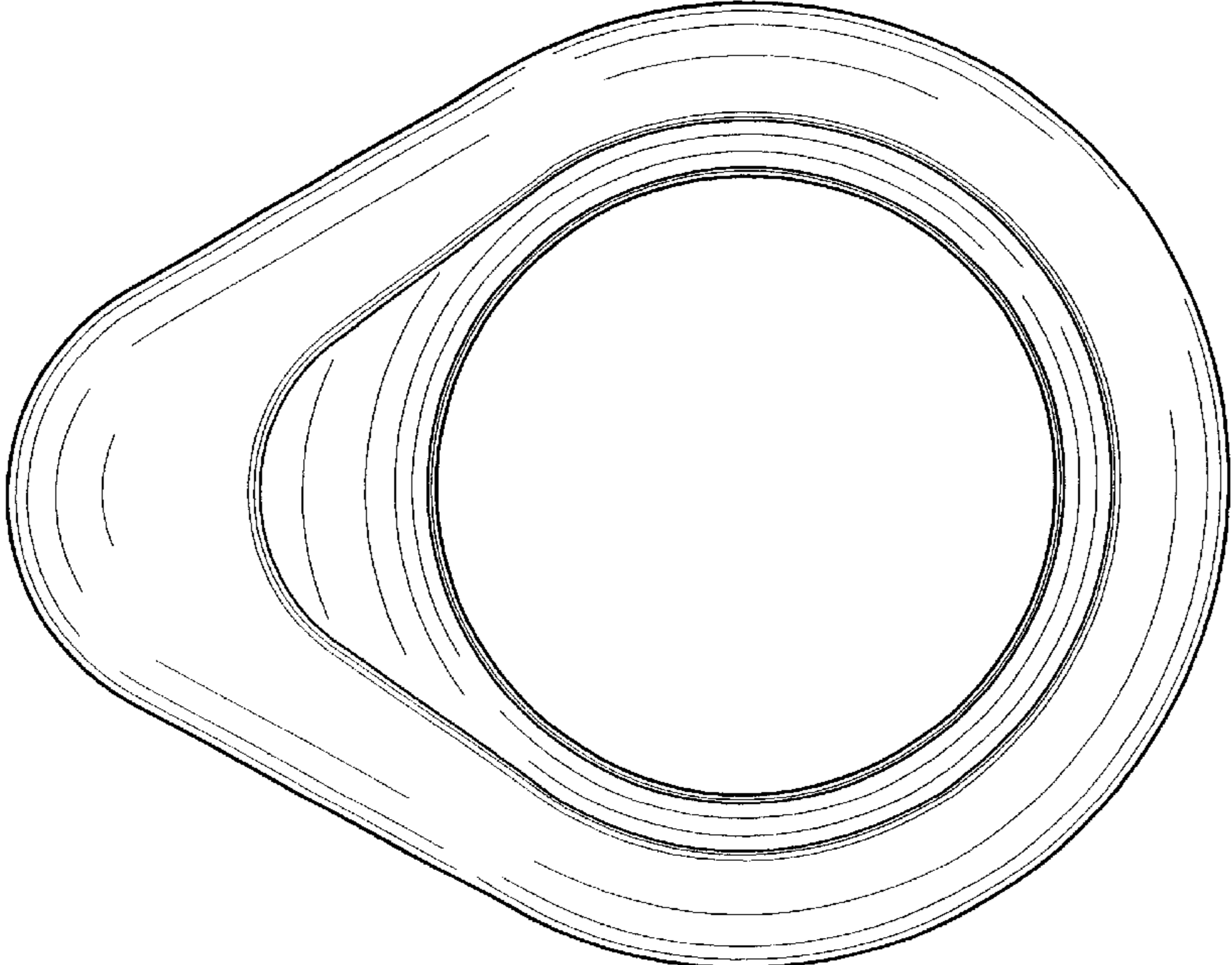


FIG. 4

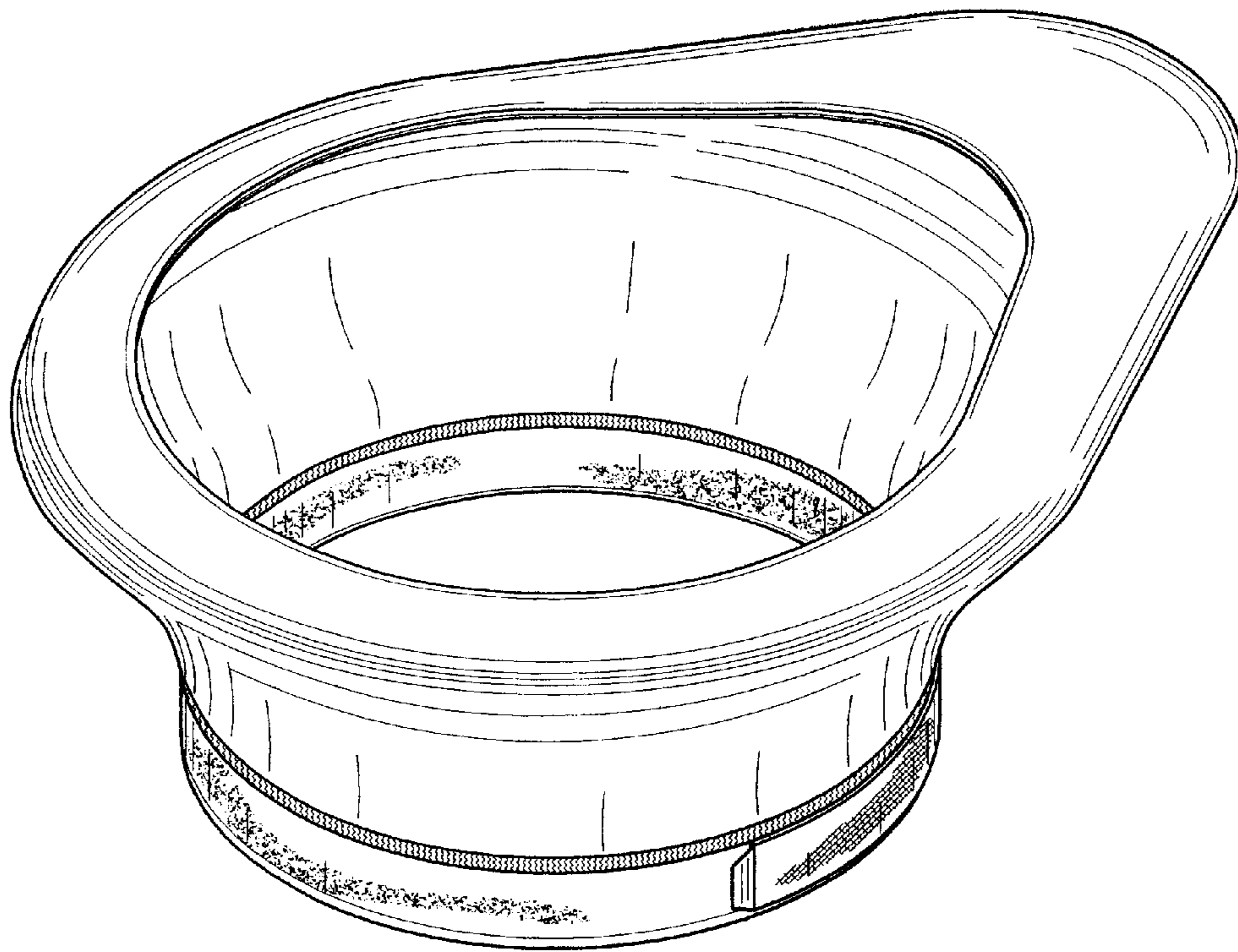


FIG. 6

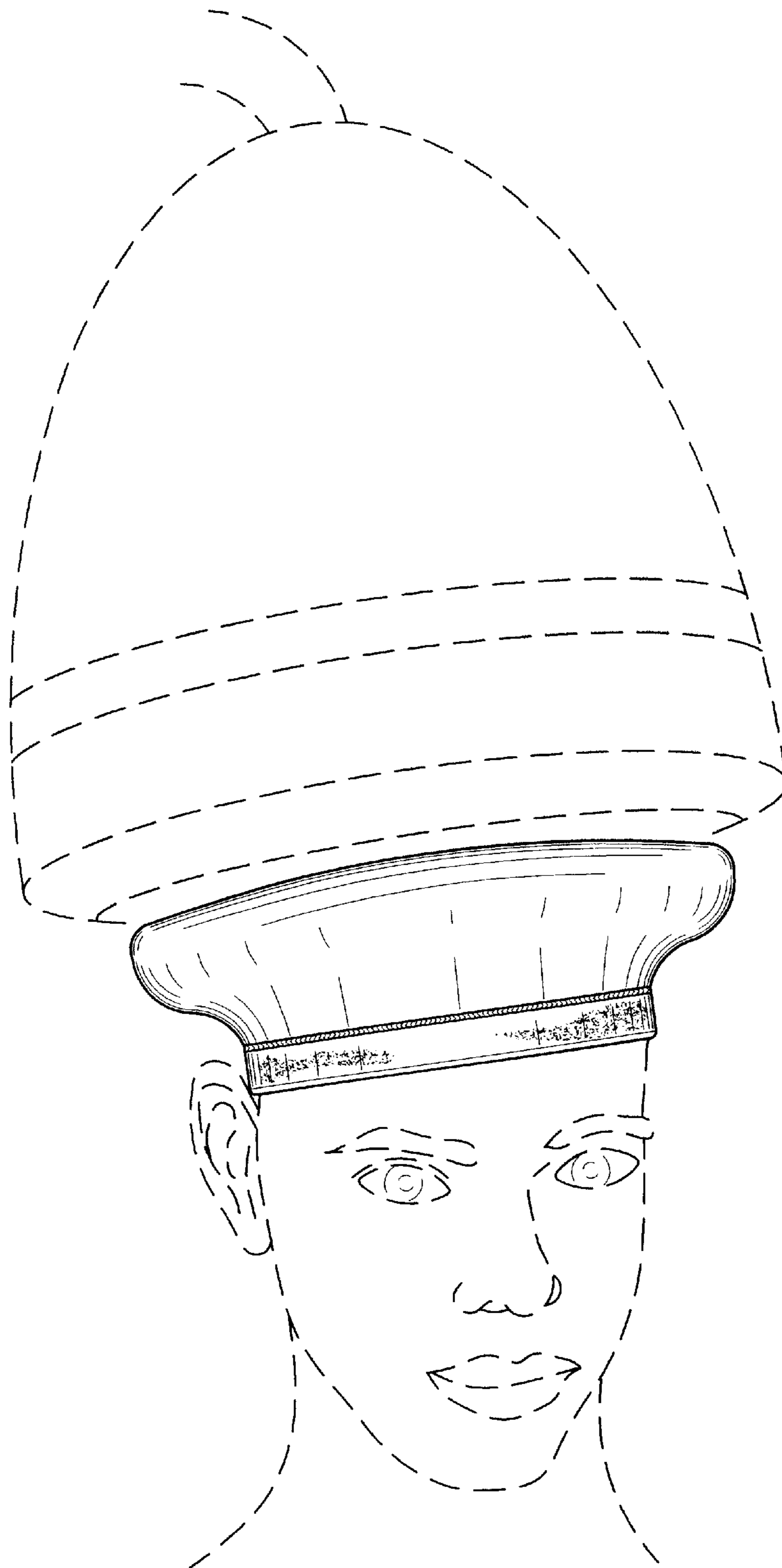


FIG. 7