



US00D549869S

(12) **United States Design Patent**  
**Ward**

(10) **Patent No.:** **US D549,869 S**

(45) **Date of Patent:** **\*\* Aug. 28, 2007**

(54) **SQUARE CEILING LIGHT FIXTURE**

(75) **Inventor:** **Patrick H. Ward**, San Antonio, TX  
(US)

(73) **Assignee:** **Lucifer Lighting Company**, San  
Antonio, TX (US)

(\*\*) **Term:** **14 Years**

(21) **Appl. No.:** **29/228,534**

(22) **Filed:** **Apr. 25, 2005**

(51) **LOC (8) Cl.** ..... **26-99**

(52) **U.S. Cl.** ..... **D26/138**

(58) **Field of Classification Search** ..... D26/119,  
D26/118, 74, 72, 75, 120, 131, 138, 152,  
D26/67, 42, 46, 81, 83, 113, 123, 124, 128,  
D26/137, 115; 362/147, 362, 404-408, 364,  
362/365, 296, 346, 366, 275, 257, 260, 433,  
362/434

See application file for complete search history.

(56) **References Cited**

**U.S. PATENT DOCUMENTS**

1,987,705	A *	1/1935	Pedersen	.....	362/364
2,929,920	A *	3/1960	Feig	.....	362/310
2,997,575	A *	8/1961	Schwartz	.....	362/364
D243,875	S *	3/1977	Schwartz	.....	D26/87
4,985,815	A *	1/1991	Endo	.....	362/294
D316,911	S *	5/1991	Hazerjian et al.	.....	D26/67
D323,037	S *	1/1992	Edwards	.....	D26/118
5,465,199	A *	11/1995	Bray et al.	.....	362/364
D383,564	S *	9/1997	Lecluze	.....	D26/118

D397,472	S *	8/1998	Lecluze	.....	D26/118
D399,590	S *	10/1998	Lecluze	.....	D26/118
D417,306	S *	11/1999	Pahl	.....	D26/118
D417,307	S *	11/1999	Pahl	.....	D26/118
D439,008	S *	3/2001	Kim	.....	D26/118
D473,965	S *	4/2003	Lecluze	.....	D26/74
D473,966	S *	4/2003	Lecluze	.....	D26/74
D474,300	S *	5/2003	Lecluze	.....	D26/74

\* cited by examiner

*Primary Examiner*—Freda S. Nunn

*Assistant Examiner*—Kevin K. Rudzinski

(74) *Attorney, Agent, or Firm*—Strasburger & Price, LLP;  
Alan R. Thiele

(57) **CLAIM**

The ornamental design for the square ceiling light fixture, as shown and described.

**DESCRIPTION**

FIG. 1 is a side elevational view of the visible portion of the square ceiling light fixture;

FIG. 2 is a bottom plan view thereof looking directly into the fixture;

FIG. 3 is a left, bottom perspective view thereof;

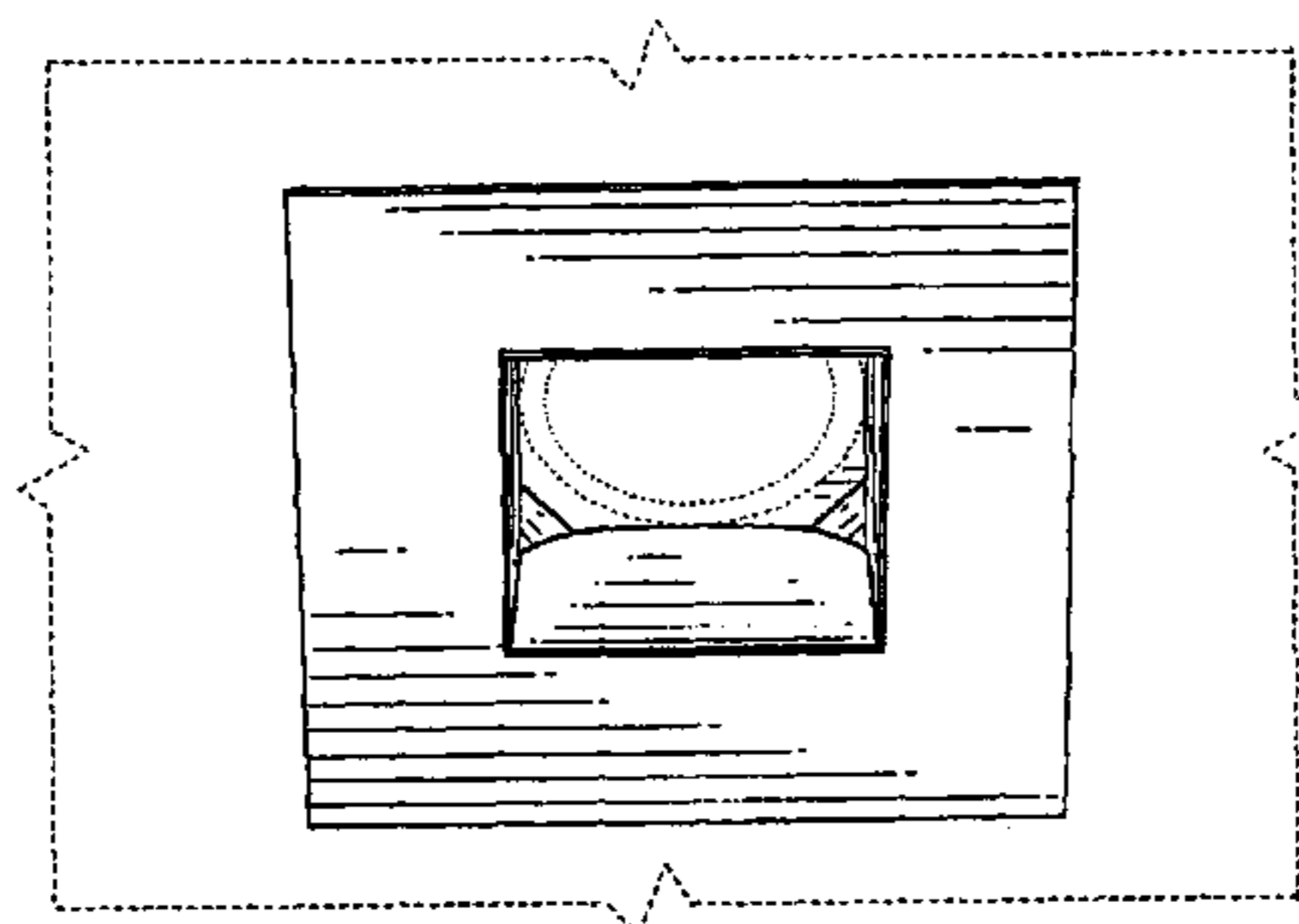
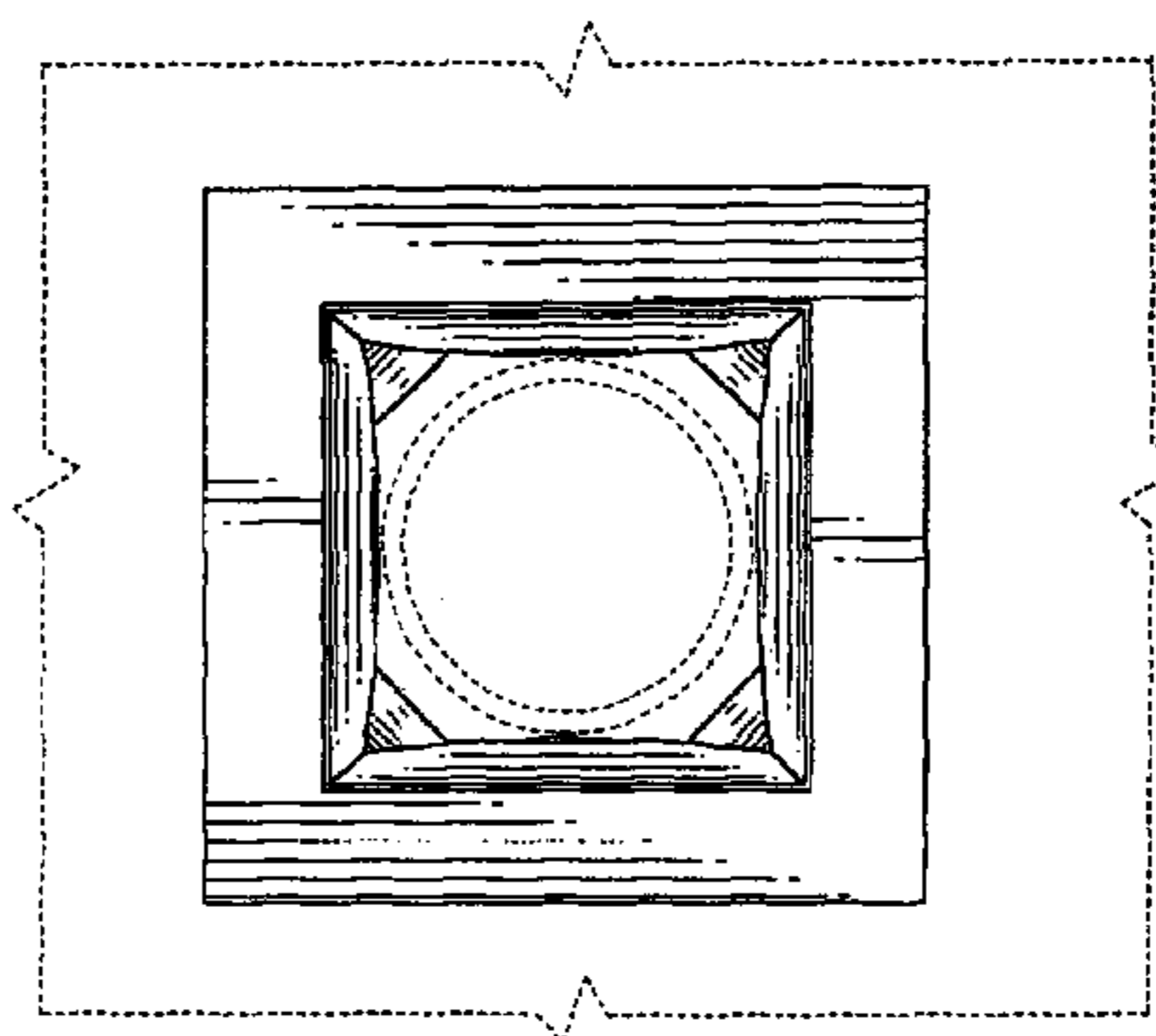
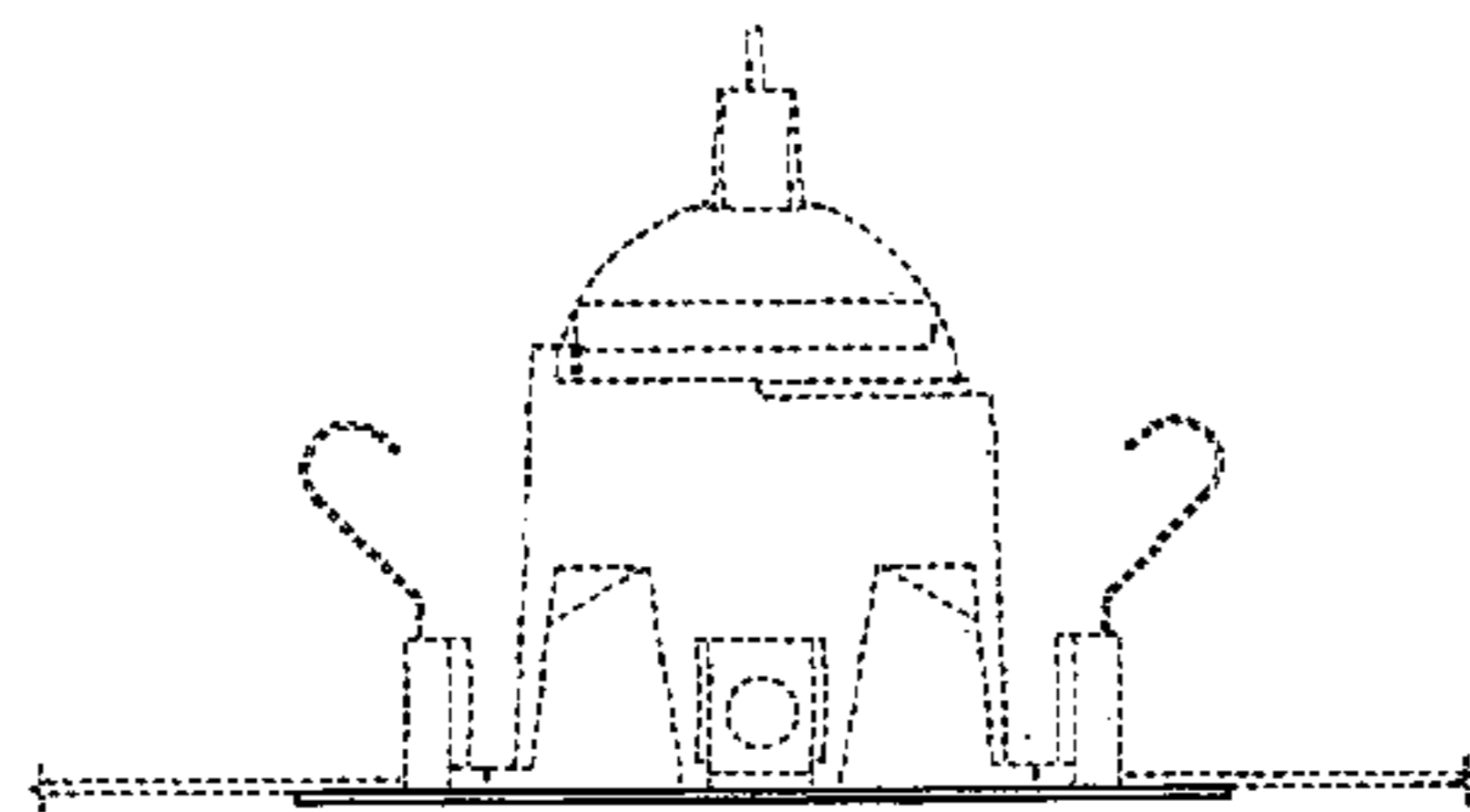
FIG. 4 is a right, bottom perspective view thereof;

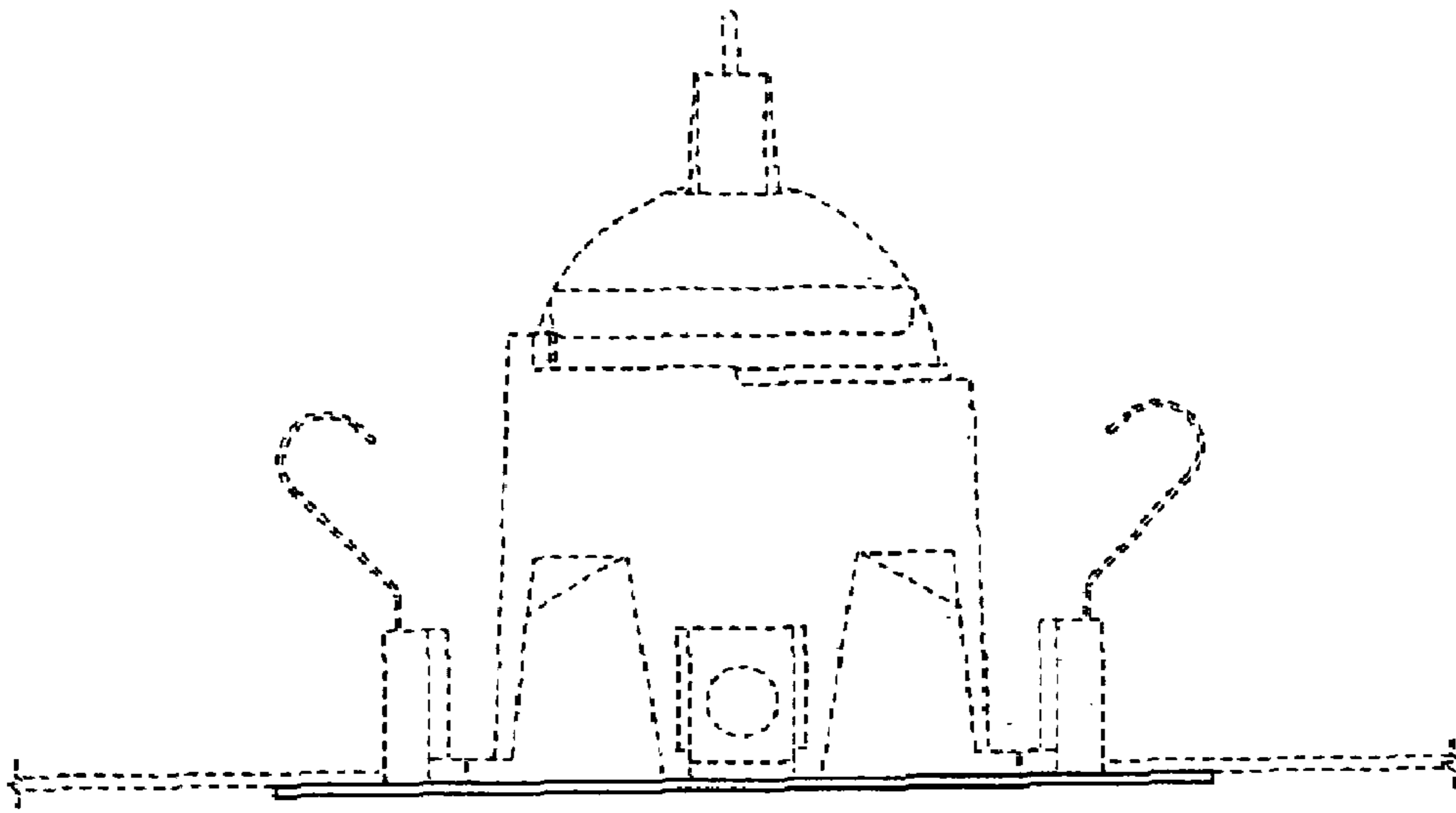
FIG. 5 is a rear, bottom perspective view thereof; and,

FIG. 6 is a front, bottom perspective view thereof.

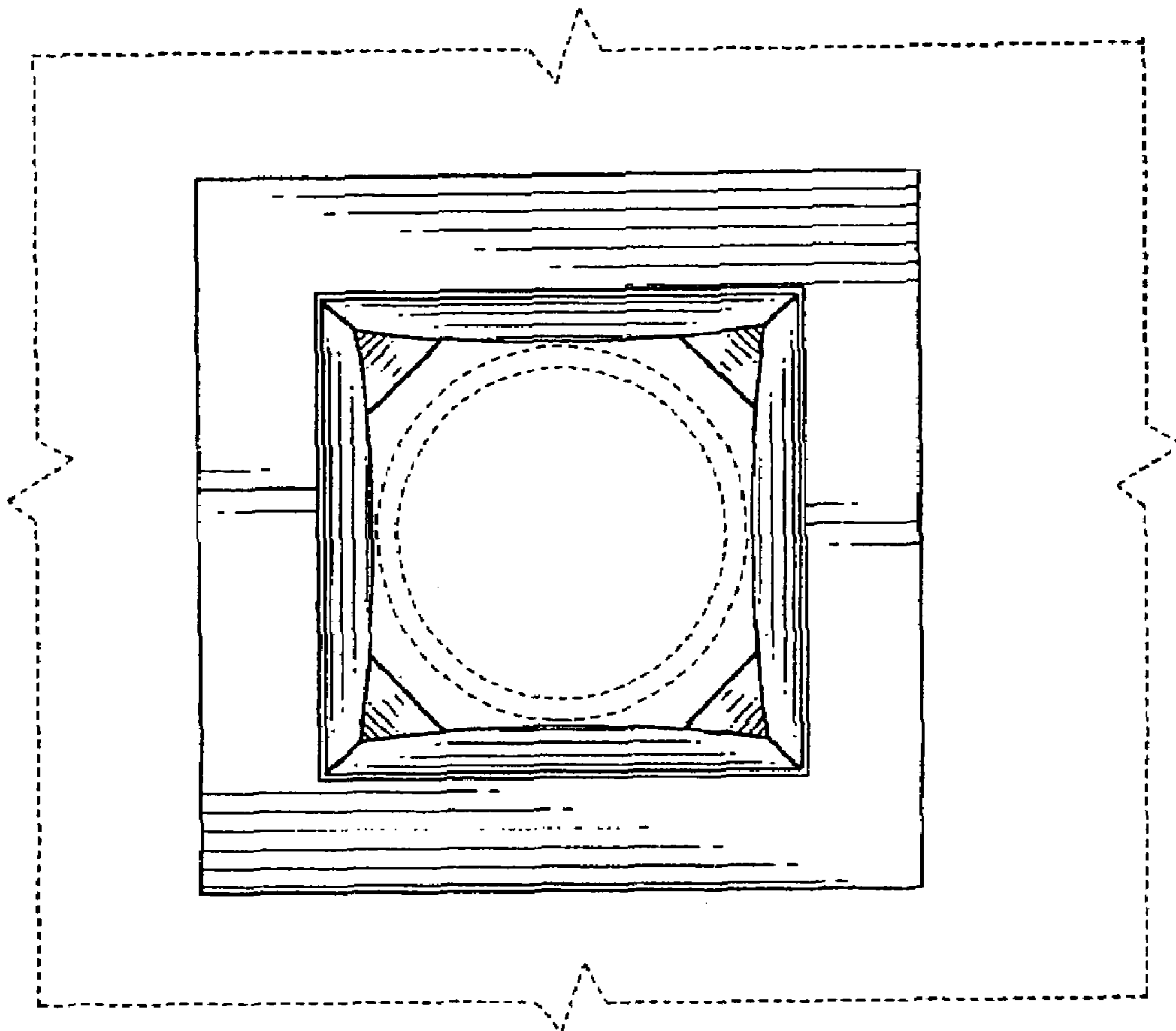
The broken line showing is included for the purpose of illustrating only and forms no part of the claimed design.

**1 Claim, 4 Drawing Sheets**

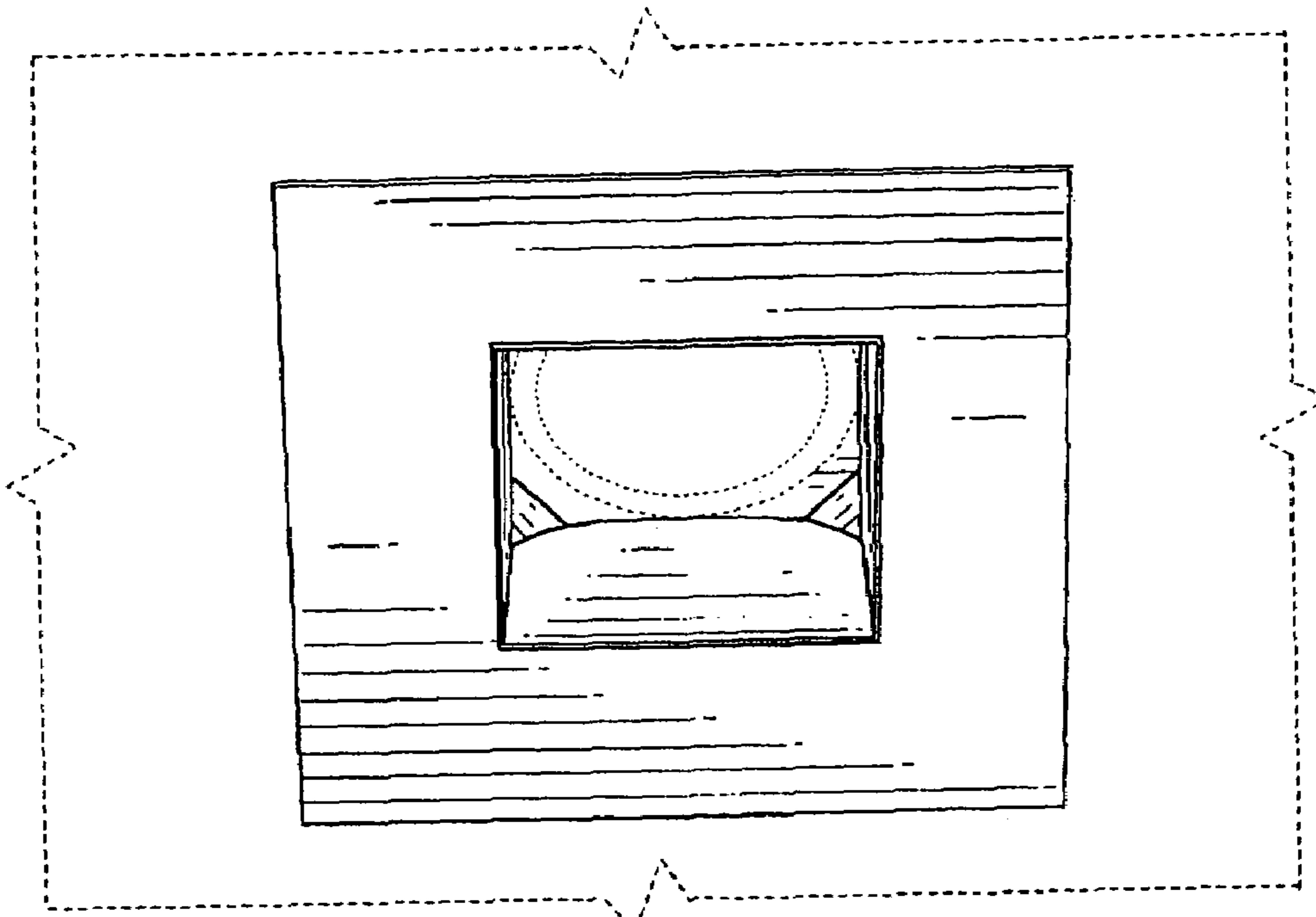




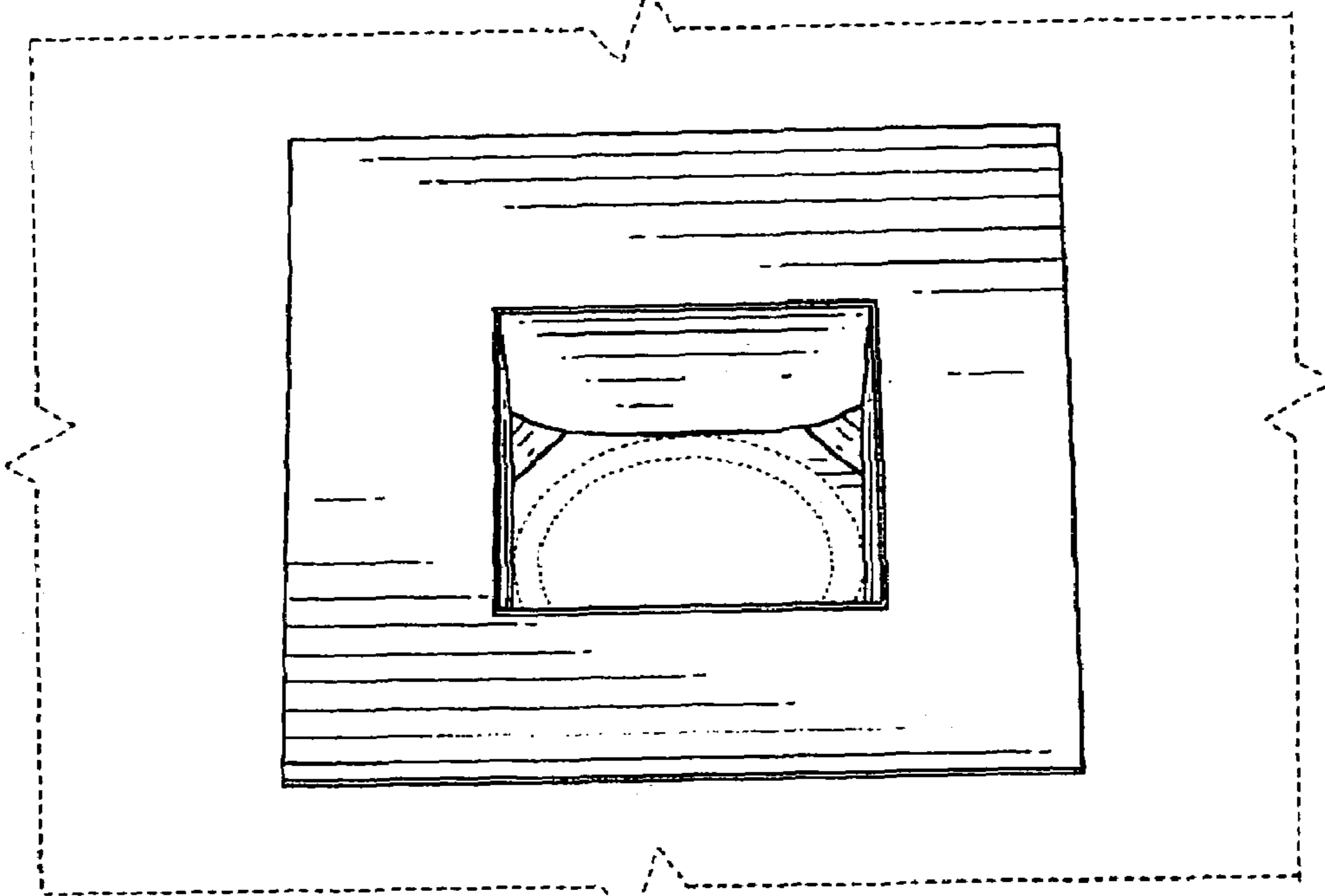
*Fig. 1*



*Fig. 2*



*Fig. 3*



*Fig. 4*

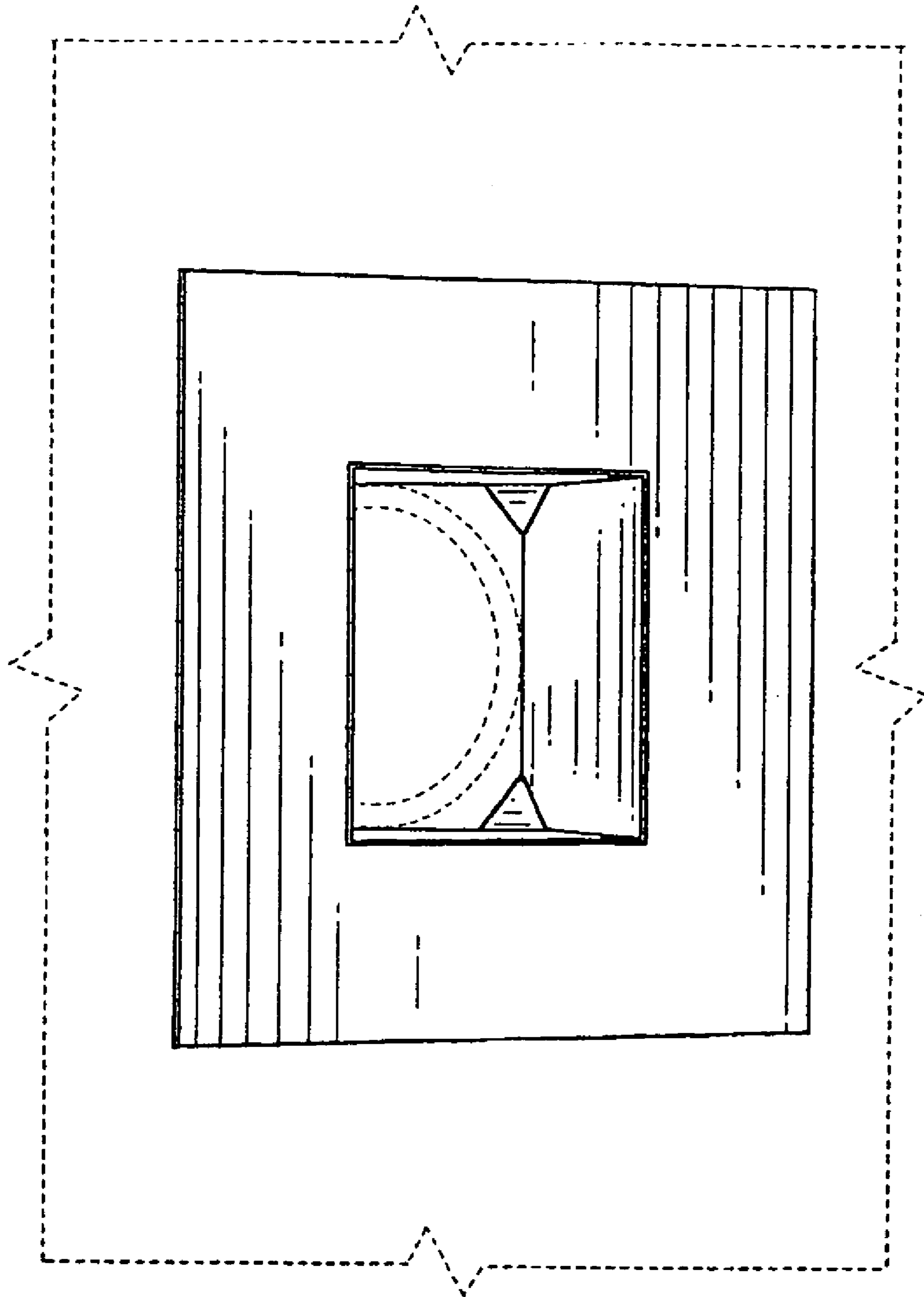


Fig. 5

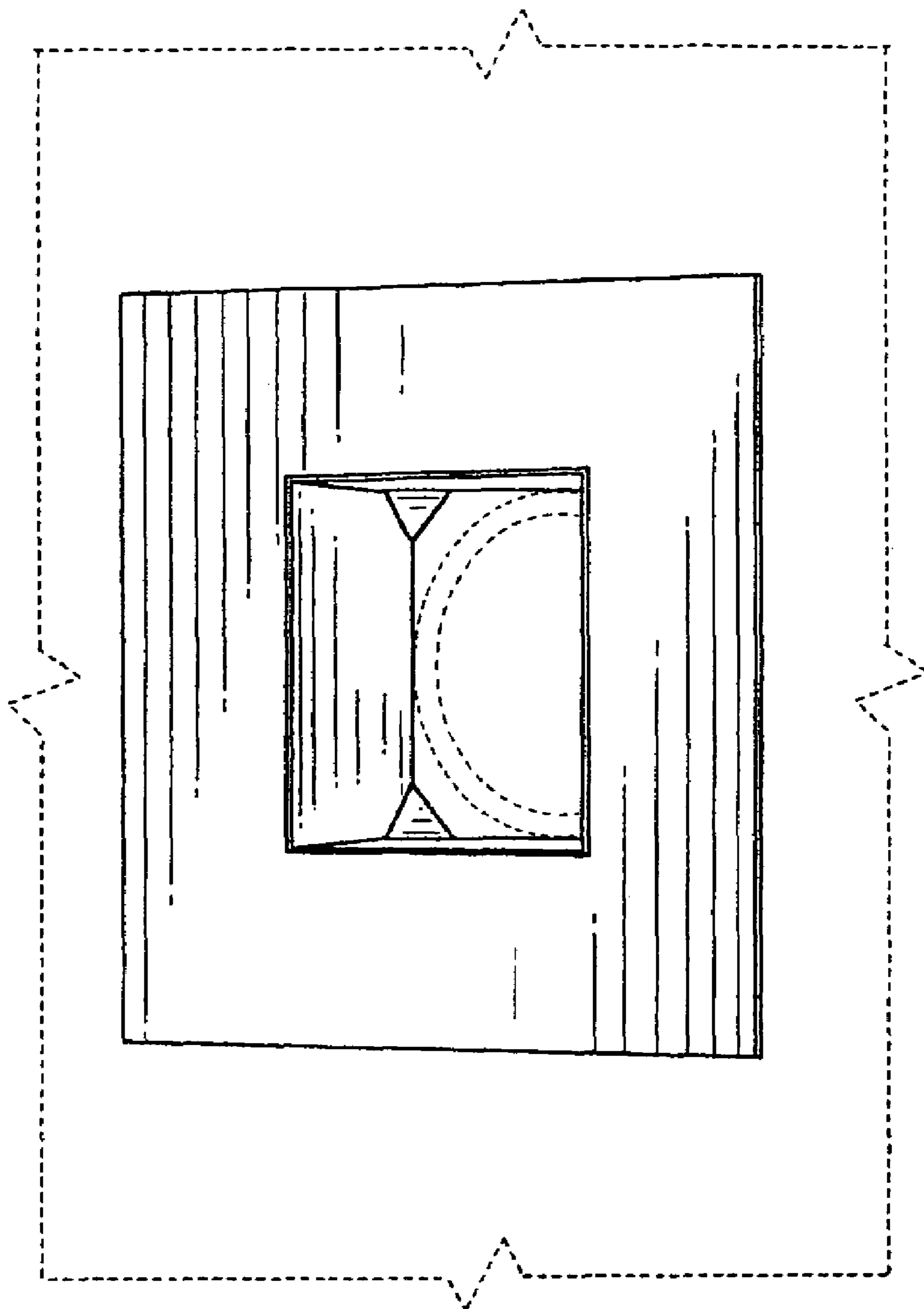


Fig. 6