



US00D549868S

(12) **United States Design Patent** (10) **Patent No.:** **US D549,868 S**  
**Deron** (45) **Date of Patent:** **\*\* Aug. 28, 2007**

(54) **LAMP SHADE FOR A WALL LIGHT FIXTURE**

(75) Inventor: **Ivo O. Deron**, Inman, SC (US)

(73) Assignee: **Hubbell Incorporated**, Orange, CT (US)

(\*\*) Term: **14 Years**

(21) Appl. No.: **29/270,032**

(22) Filed: **Dec. 14, 2006**

**Related U.S. Application Data**

(62) Division of application No. 29/230,989, filed on May 31, 2005, now Pat. No. Des. 539,461.

(51) **LOC (8) Cl.** ..... **26-99**

(52) **U.S. Cl.** ..... **D26/128**

(58) **Field of Classification Search** ..... D26/72, D26/85-92, 138, 145, 118, 155, 129, 130; 362/147, 404-408, 432

See application file for complete search history.

(56) **References Cited**

**U.S. PATENT DOCUMENTS**

D20,680 S	4/1891	Blair
D31,237 S	7/1899	Duffner
D33,553 S	11/1900	McHenry
D37,967 S	4/1906	Mygatt
D47,136 S	3/1915	Hotchkin
D47,335 S	5/1915	Kopp
D48,153 S	11/1915	Frary
D48,158 S	11/1915	Morrell
D52,412 S	9/1918	Strahan
D63,285 S	11/1923	Dahl
D164,908 S	10/1951	Folley
D280,239 S	8/1985	Burket

D285,123 S	8/1986	Schwartz
D360,274 S	7/1995	Emmerling
D367,936 S	3/1996	Kay
D419,714 S	1/2000	Diaz-Azcuy
D428,182 S	7/2000	Dolan
D428,511 S	7/2000	Hsieh
D441,488 S	5/2001	Benghozi
D446,339 S	8/2001	Yang
D464,458 S	10/2002	Lee
D501,058 S	1/2005	Parres

*Primary Examiner*—Clare E Heflin

(74) *Attorney, Agent, or Firm*—Marcus R. Mickney; Mark S. Bicks; Alfred N. Goodman

(57) **CLAIM**

The ornamental design for a lamp shade for a wall light fixture, as shown and described.

**DESCRIPTION**

FIG. 1 is a perspective view of a lamp shade for a wall light fixture according to an exemplary embodiment of the present invention, the mounting plate and connecting arm being illustrated in broken lines;

FIG. 2 is a front elevational view of the lamp shade illustrated in FIG. 1;

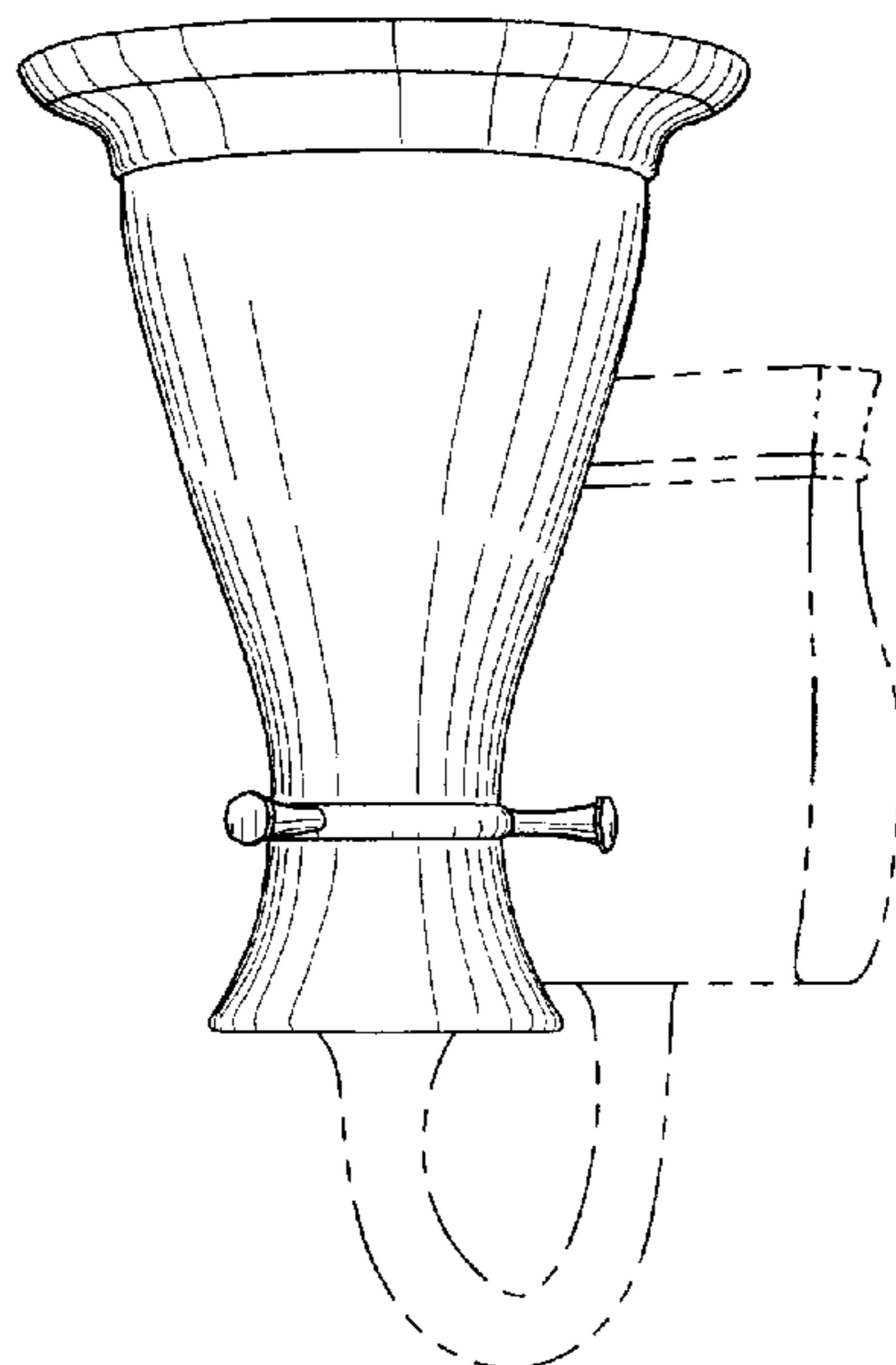
FIG. 3 is a right side elevational view of the lamp shade illustrated in FIGS. 1-2, the left side being a mirror image thereof;

FIG. 4 is a top plan view of the lamp shade illustrated in FIGS. 1-3; and,

FIG. 5 is a bottom plan view of the lamp shade illustrated in FIGS. 1-4.

The broken lines are shown for illustrative purposes only and form no part of the claimed design.

**1 Claim, 3 Drawing Sheets**



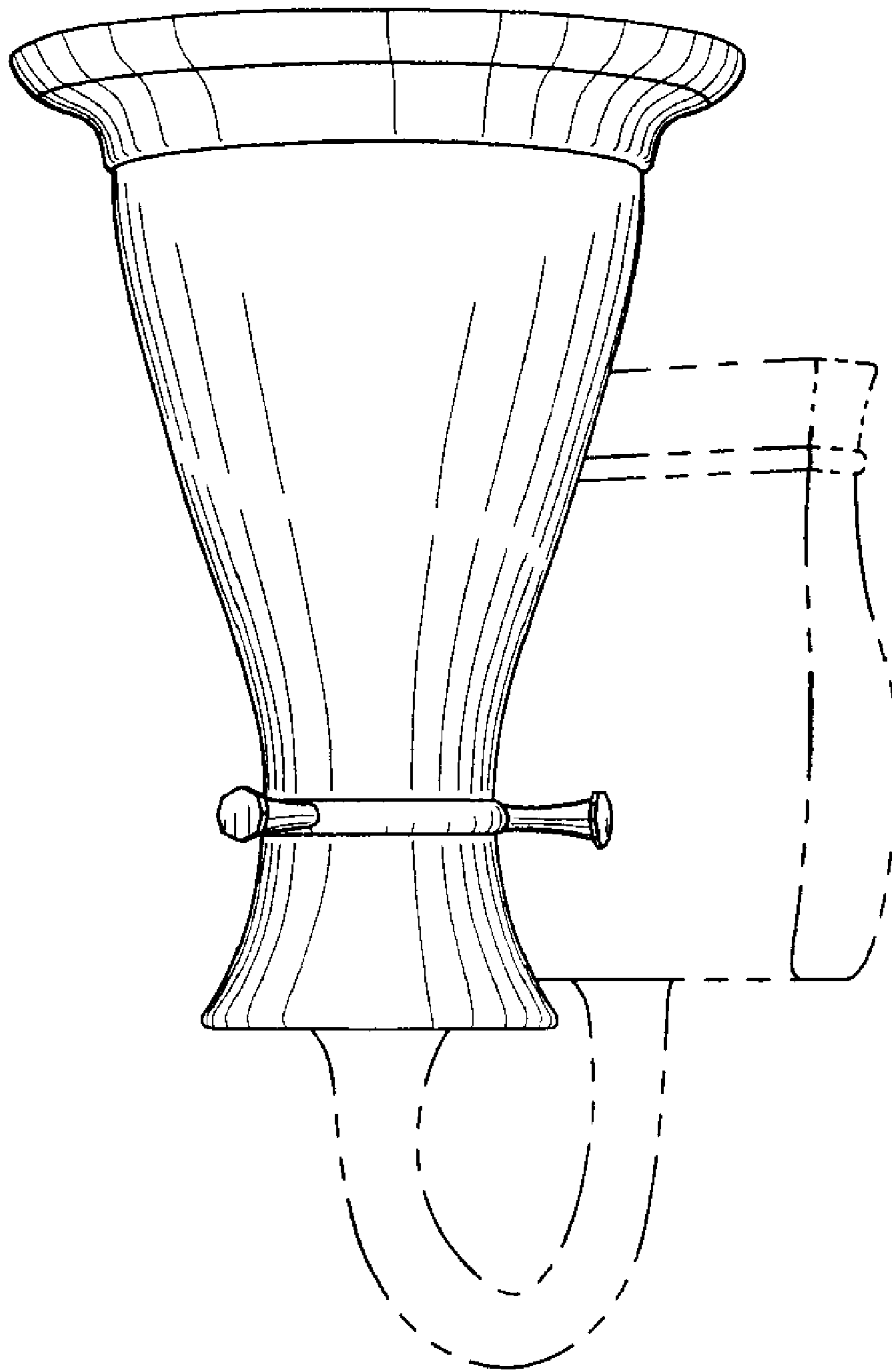


FIG. 1

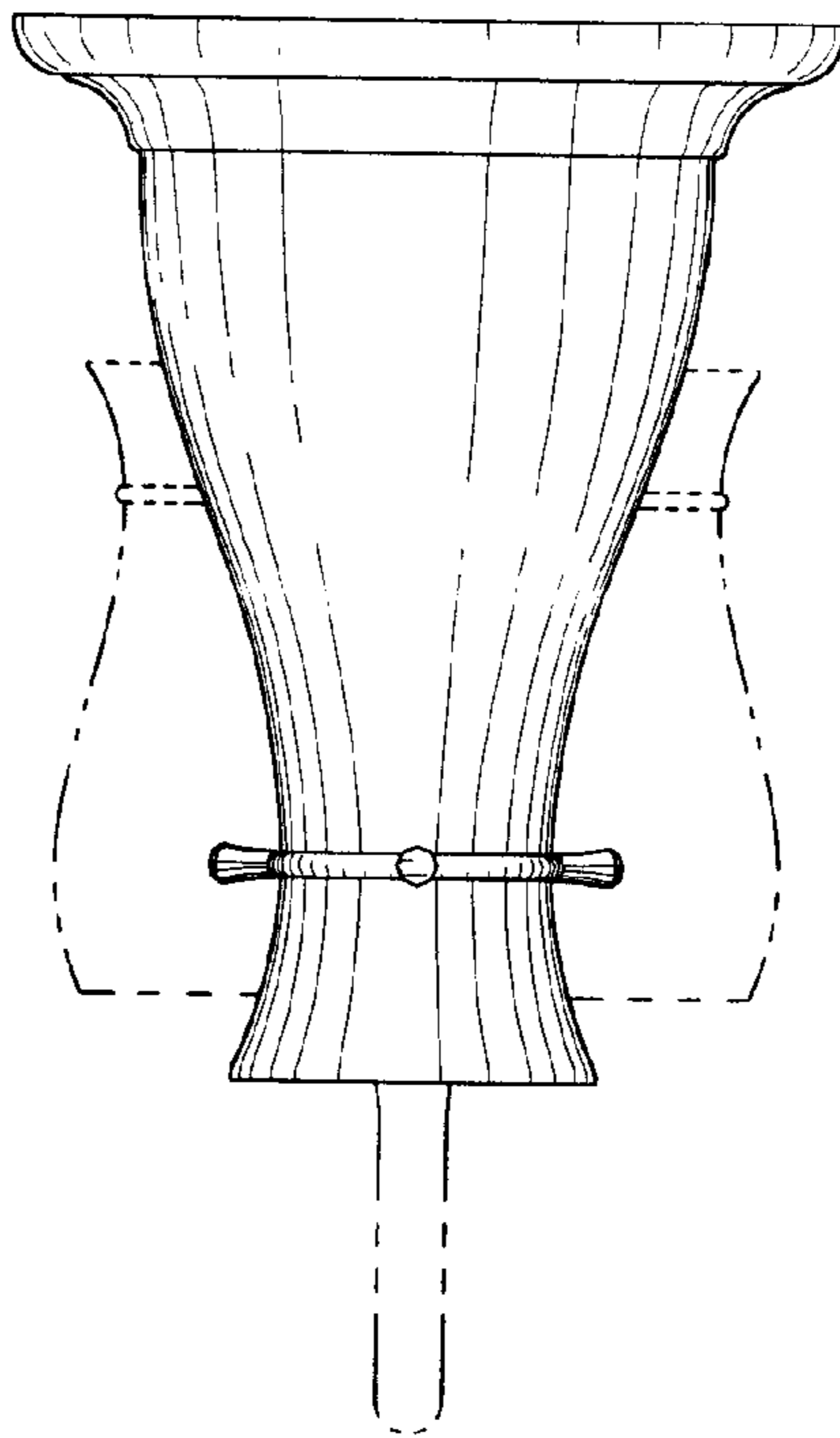


FIG. 2

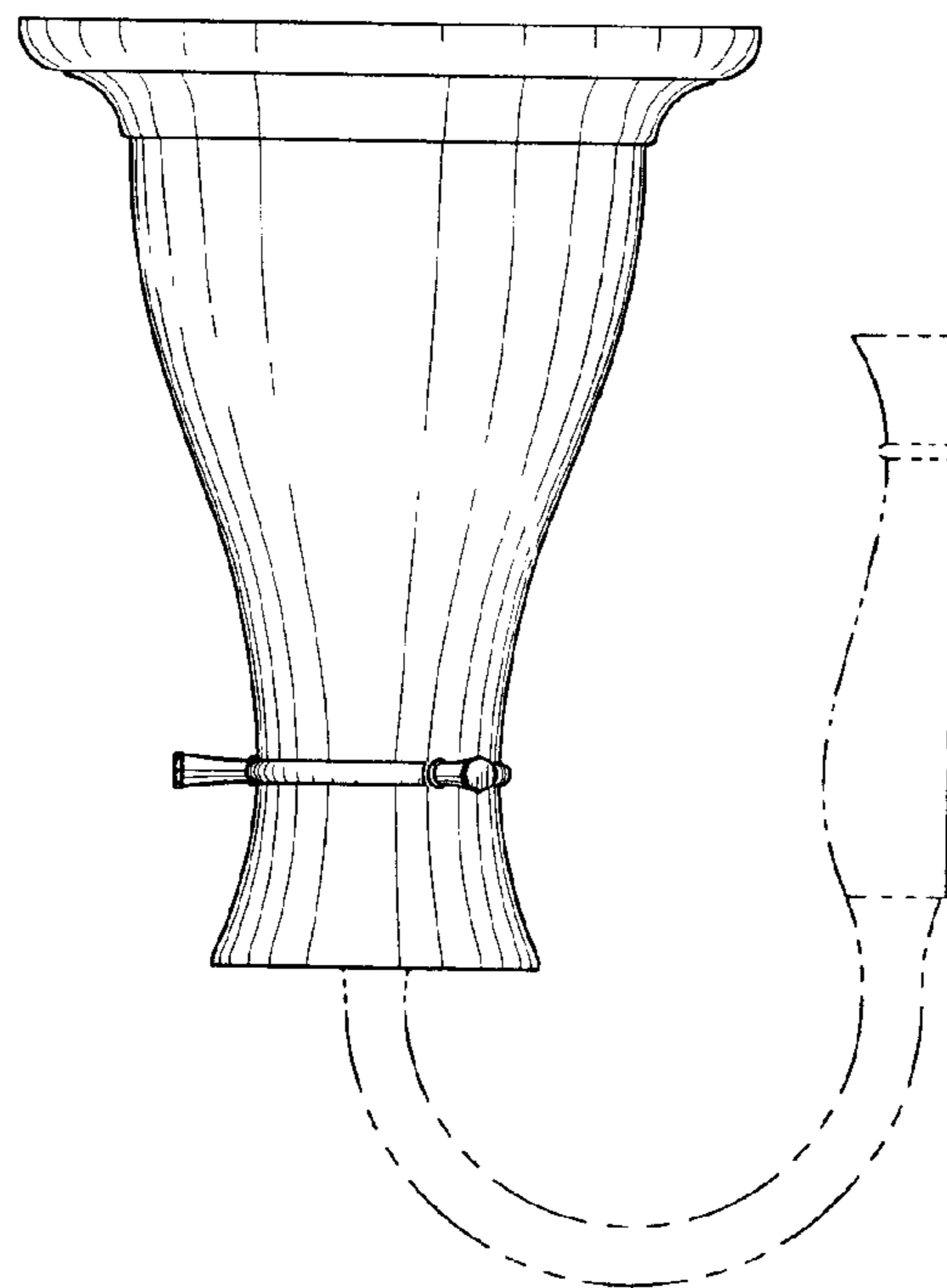


FIG. 3

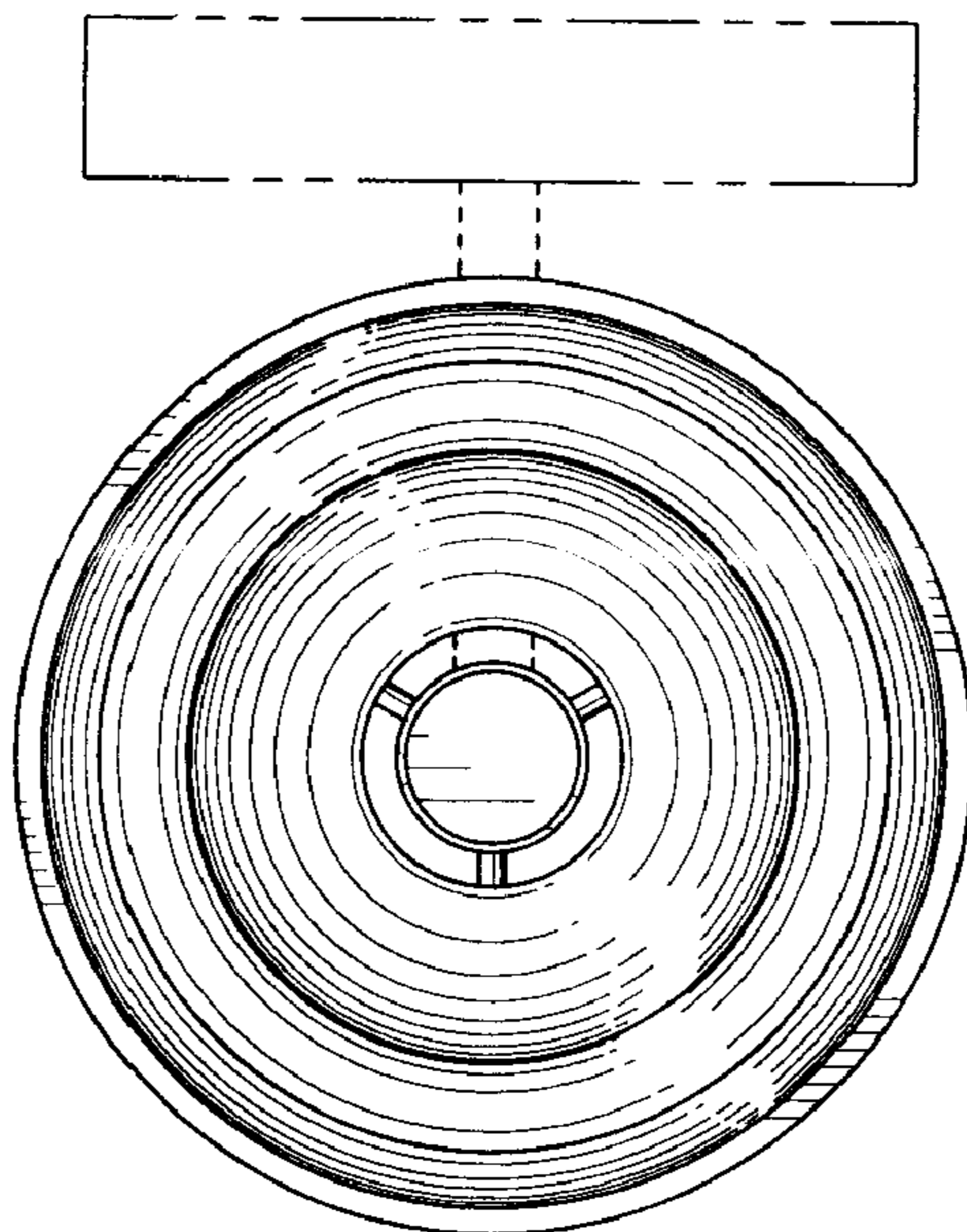


FIG. 4

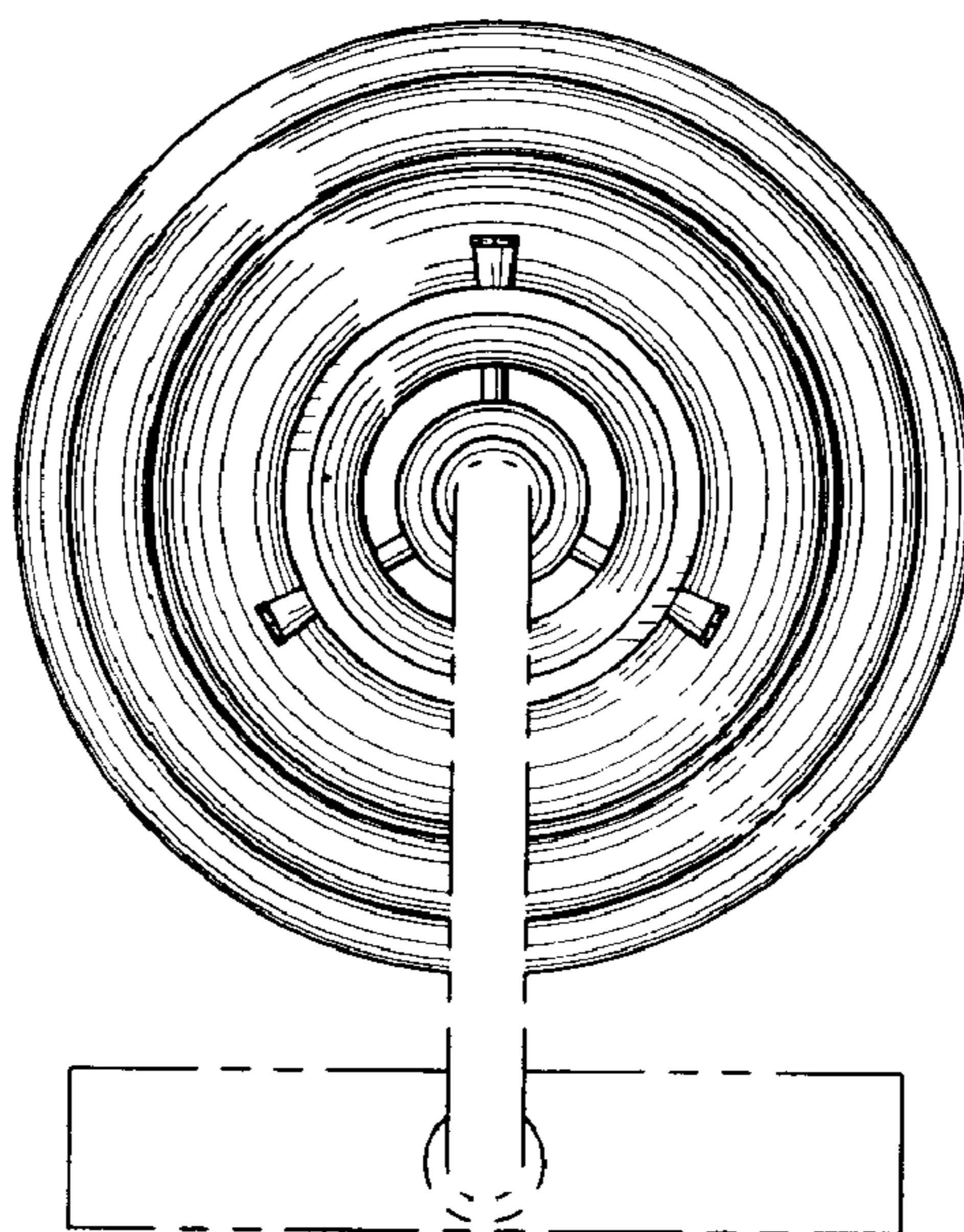


FIG. 5