



US00D549867S

(12) **United States Design Patent**
Ward

(10) **Patent No.:** **US D549,867 S**

(45) **Date of Patent:** **** Aug. 28, 2007**

(54) **FLUORESCENT LIGHT REFLECTOR**

(75) Inventor: **Patrick H. Ward**, San Antonio, TX
(US)

(73) Assignee: **Lucifer Lighting Company**, San
Antonio, TX (US)

(**) Term: **14 Years**

(21) Appl. No.: **29/226,597**

(22) Filed: **Mar. 30, 2005**

(51) **LOC (8) Cl.** **26-99**

(52) **U.S. Cl.** **D26/118**

(58) **Field of Classification Search** D26/119,
D26/118, 74, 72, 75, 120, 131, 138, 152,
D26/67, 42, 46, 81, 83, 113, 123, 124, 128,
D26/137, 115; 362/147, 362, 404-408, 364,
362/365, 296, 346, 366, 275, 257, 260, 433,
362/434

See application file for complete search history.

(56) **References Cited**

U.S. PATENT DOCUMENTS

| | | | | |
|---------------|---------|-----------------|-------|---------|
| D37,832 S * | 2/1906 | Mygatt | | D26/131 |
| 1,264,405 A * | 4/1918 | Little | | 362/363 |
| D109,899 S * | 5/1938 | McCabe | | D26/135 |
| D157,801 S * | 3/1950 | Stone | | D26/138 |
| D158,209 S * | 4/1950 | Lundquist | | D26/131 |
| 2,878,371 A * | 3/1959 | Hanlin | | 362/294 |
| D247,562 S * | 3/1978 | Walker et al. | | D14/209 |
| 4,167,033 A * | 9/1979 | Fletcher | | 362/396 |
| 4,300,190 A * | 11/1981 | Mershon | | 362/404 |
| D263,000 S * | 2/1982 | Heritage et al. | | D26/63 |
| 4,742,440 A * | 5/1988 | Guzzini | | 362/346 |

| | | | | |
|----------------|---------|-----------------|-------|---------|
| D334,078 S * | 3/1993 | Stromberg | | D26/131 |
| 5,377,086 A * | 12/1994 | Tickner | | 362/235 |
| 5,586,820 A * | 12/1996 | Klink | | 362/402 |
| 5,662,413 A * | 9/1997 | Akiyama | | 362/365 |
| 5,800,050 A * | 9/1998 | Leadford | | 362/296 |
| D410,298 S * | 5/1999 | Sherman | | D26/118 |
| 5,967,640 A * | 10/1999 | Moriyama et al. | | 362/147 |
| D435,932 S * | 1/2001 | Hiller et al. | | D26/118 |
| 6,168,298 B1 * | 1/2001 | Hentz et al. | | 362/365 |
| 6,343,873 B1 * | 2/2002 | Eberhard et al. | | 362/364 |
| 6,364,510 B1 * | 4/2002 | Bernhart et al. | | 362/365 |
| D483,902 S * | 12/2003 | Peters | | D26/118 |
| D490,181 S * | 5/2004 | Redfern | | D26/72 |

* cited by examiner

Primary Examiner—Freda S. Nunn

Assistant Examiner—Kevin K. Rudzinski

(74) *Attorney, Agent, or Firm*—Strasburger & Price, LLP;
Alan R. Thiele

(57) **CLAIM**

The ornamental design for the fluorescent light reflector, as shown and described.

DESCRIPTION

FIG. 1 is a perspective view of the fluorescent light reflector.

FIG. 2 is a top plan view;

FIG. 3 is a bottom plan view;

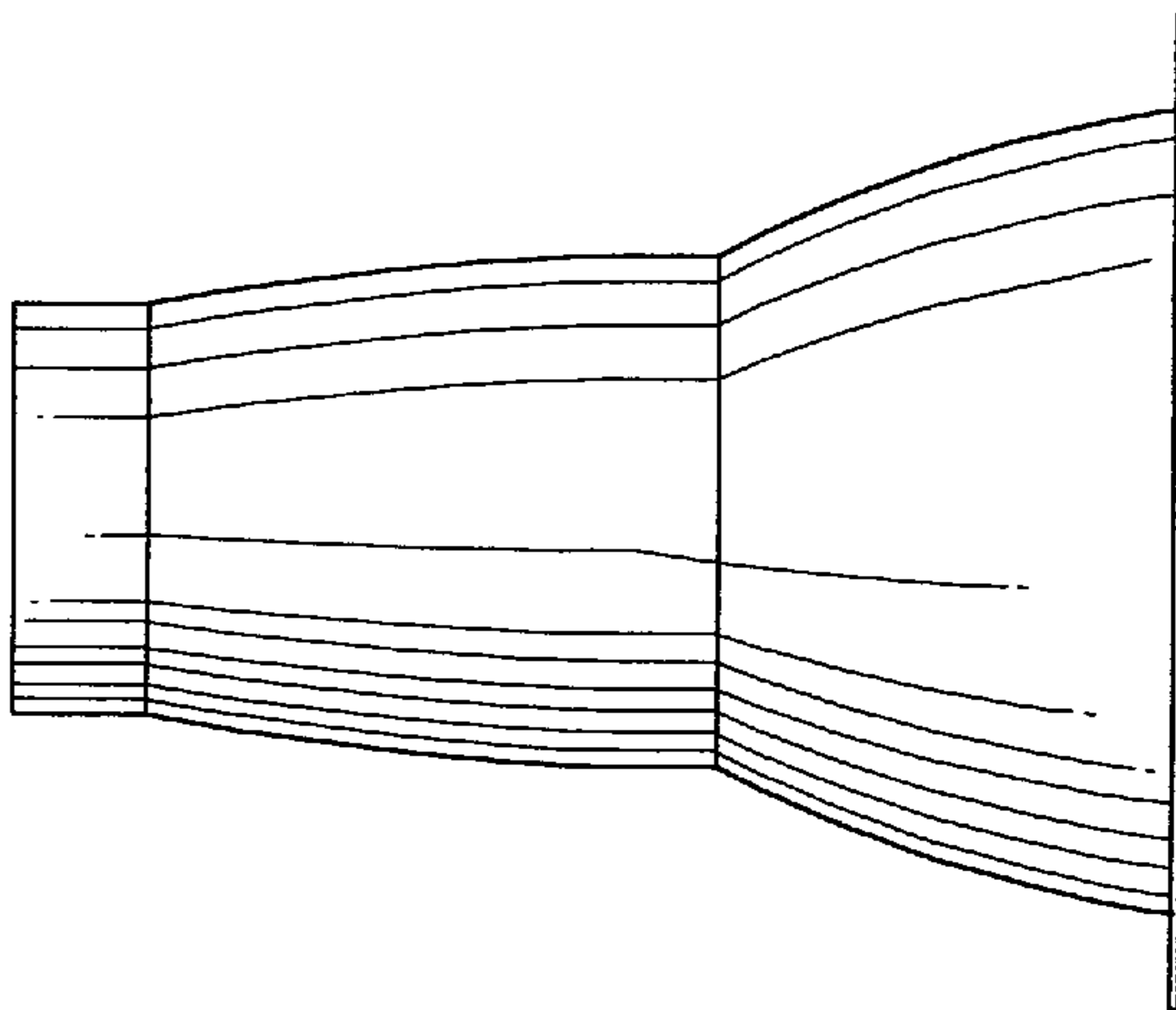
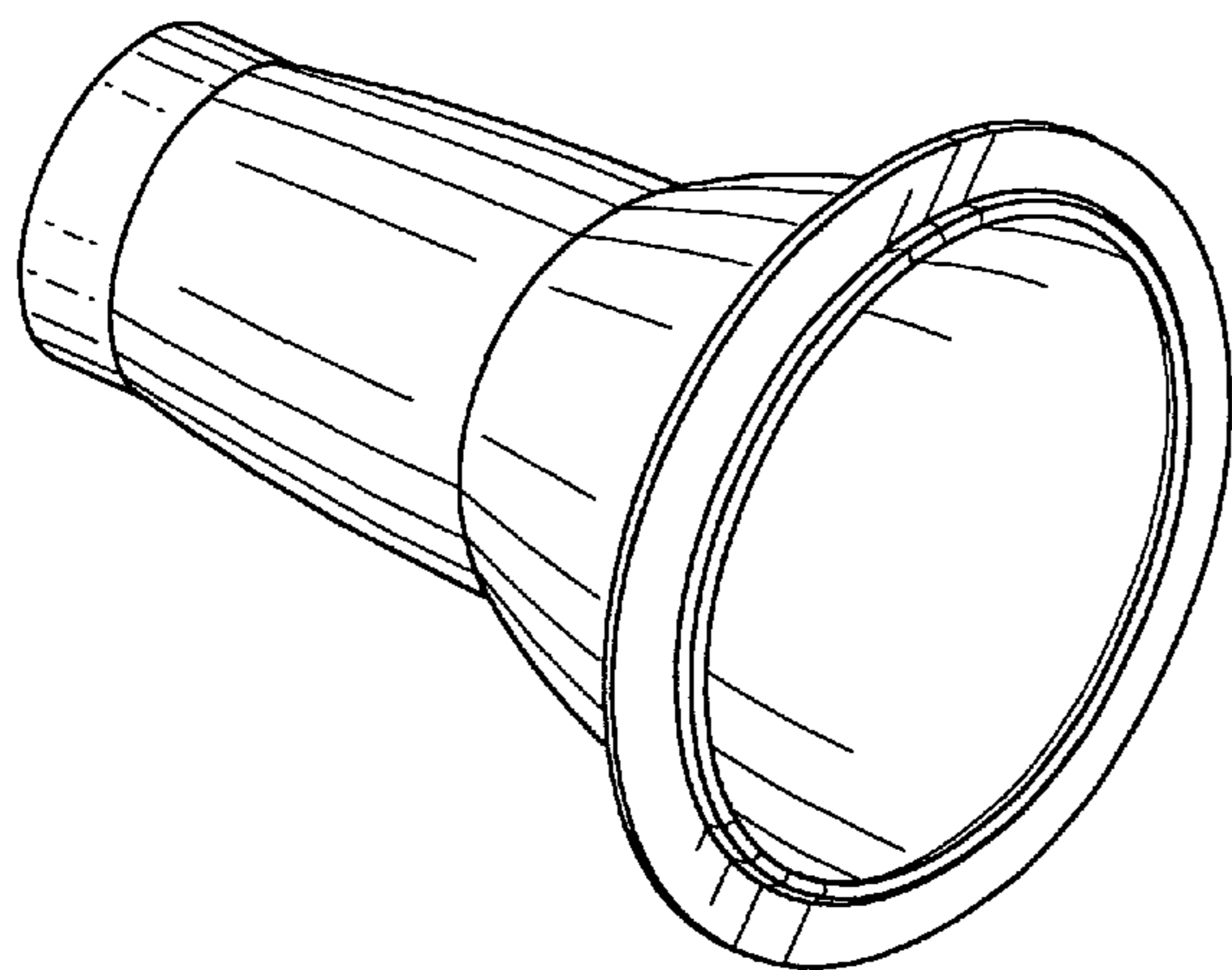
FIG. 4 is a front elevational view;

FIG. 5 is a left side elevational view;

FIG. 6 is a rear elevational view; and,

FIG. 7 is a right side elevational view.

1 Claim, 4 Drawing Sheets



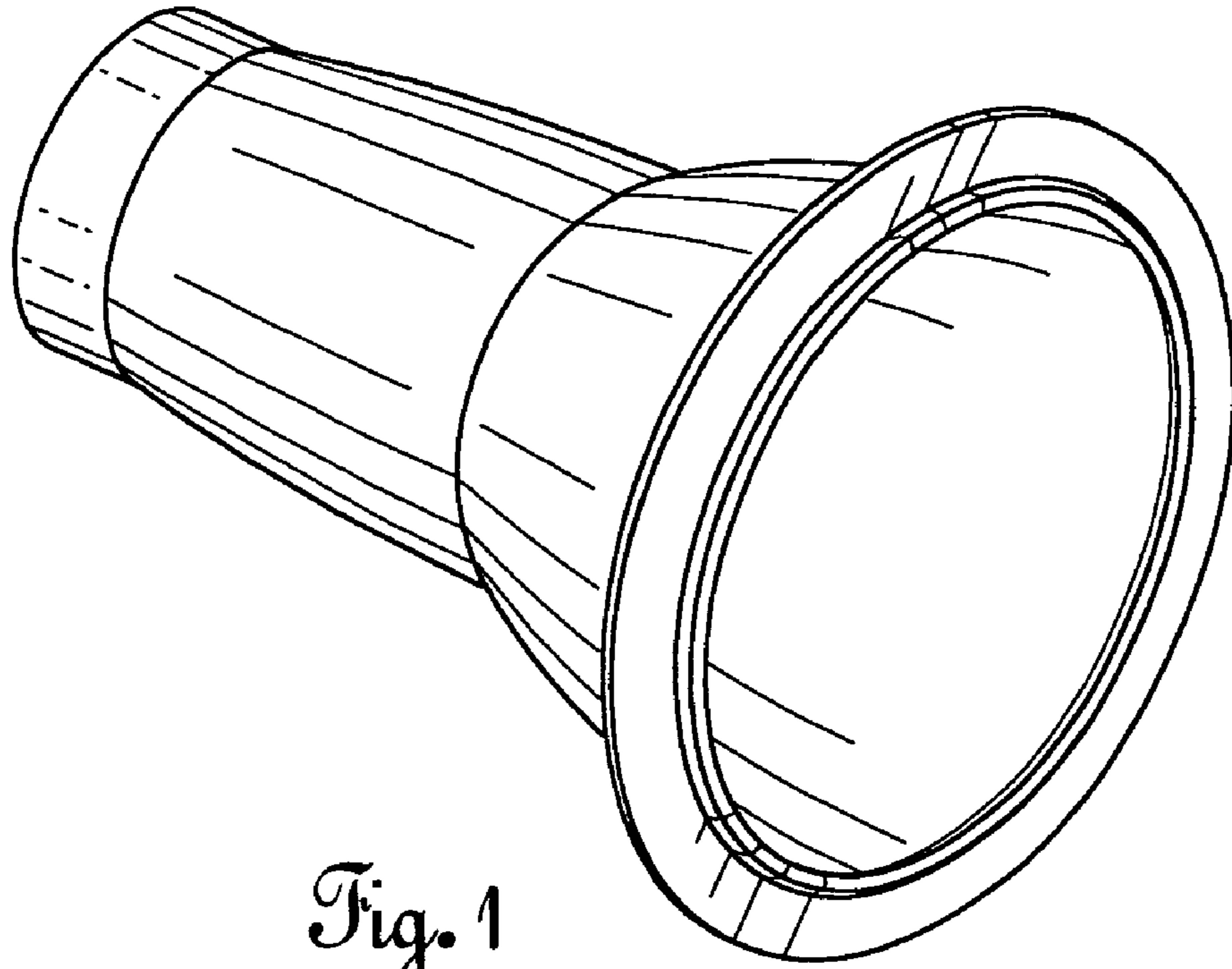


Fig. 1

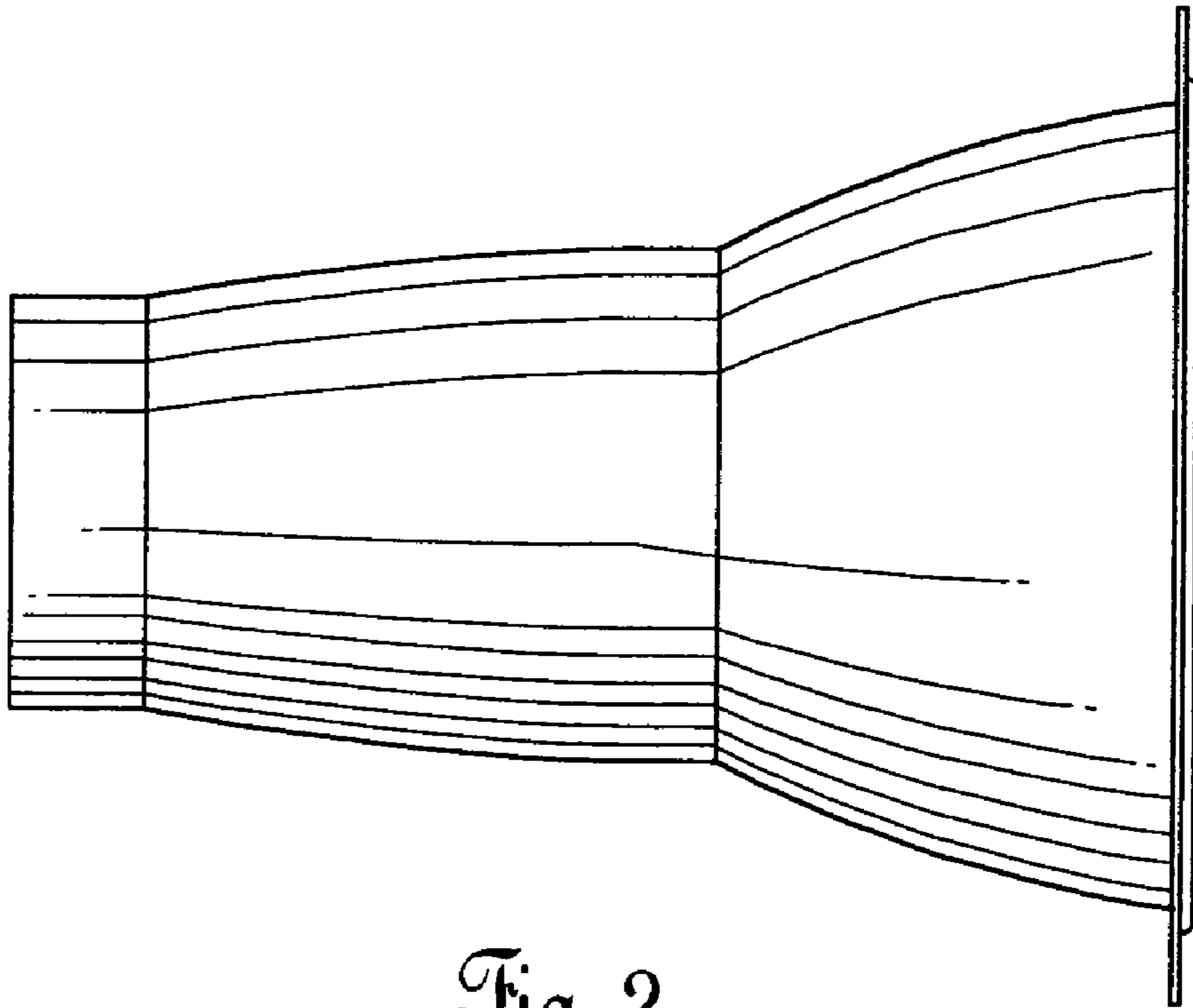


Fig. 2

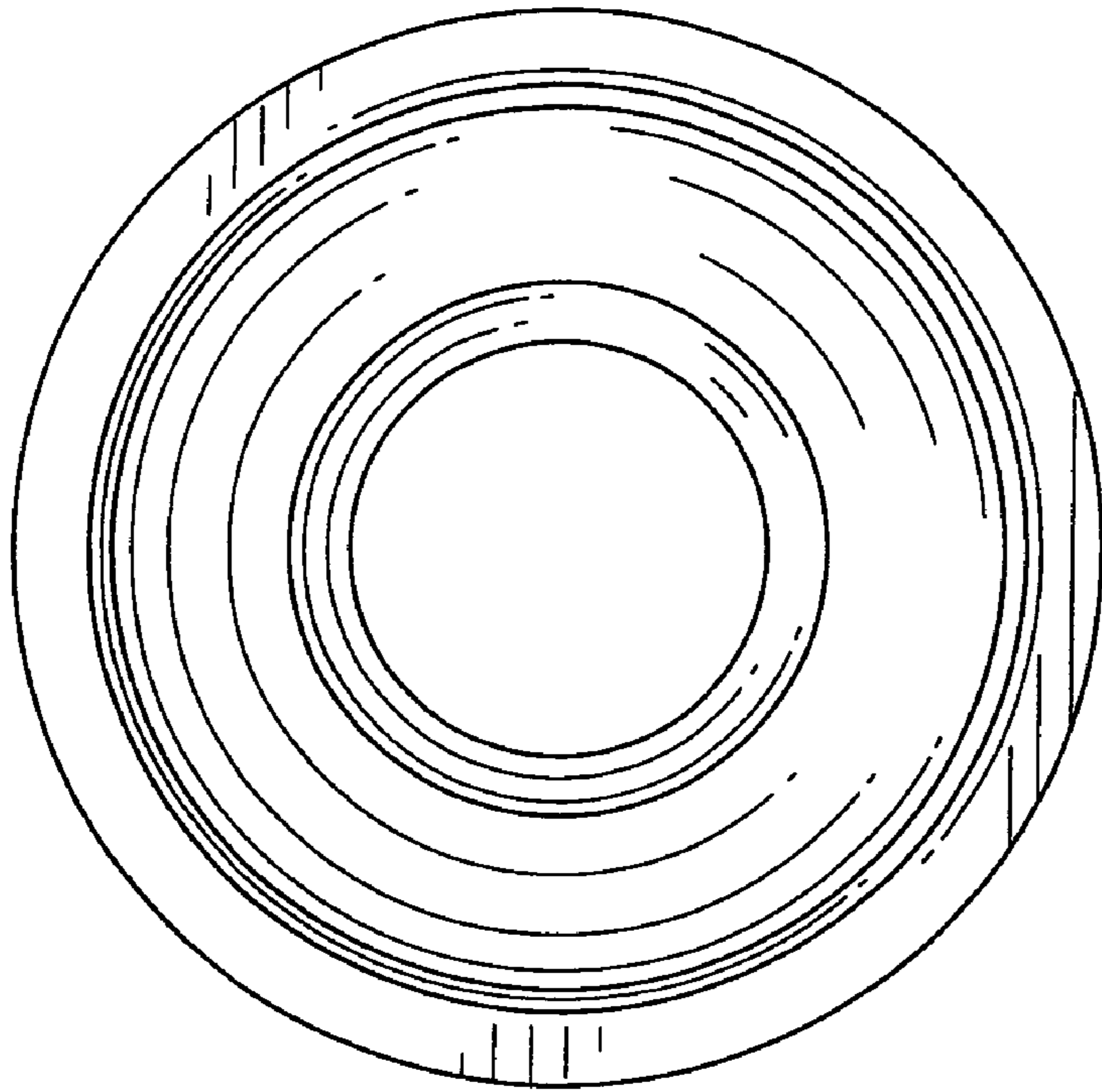


Fig. 4

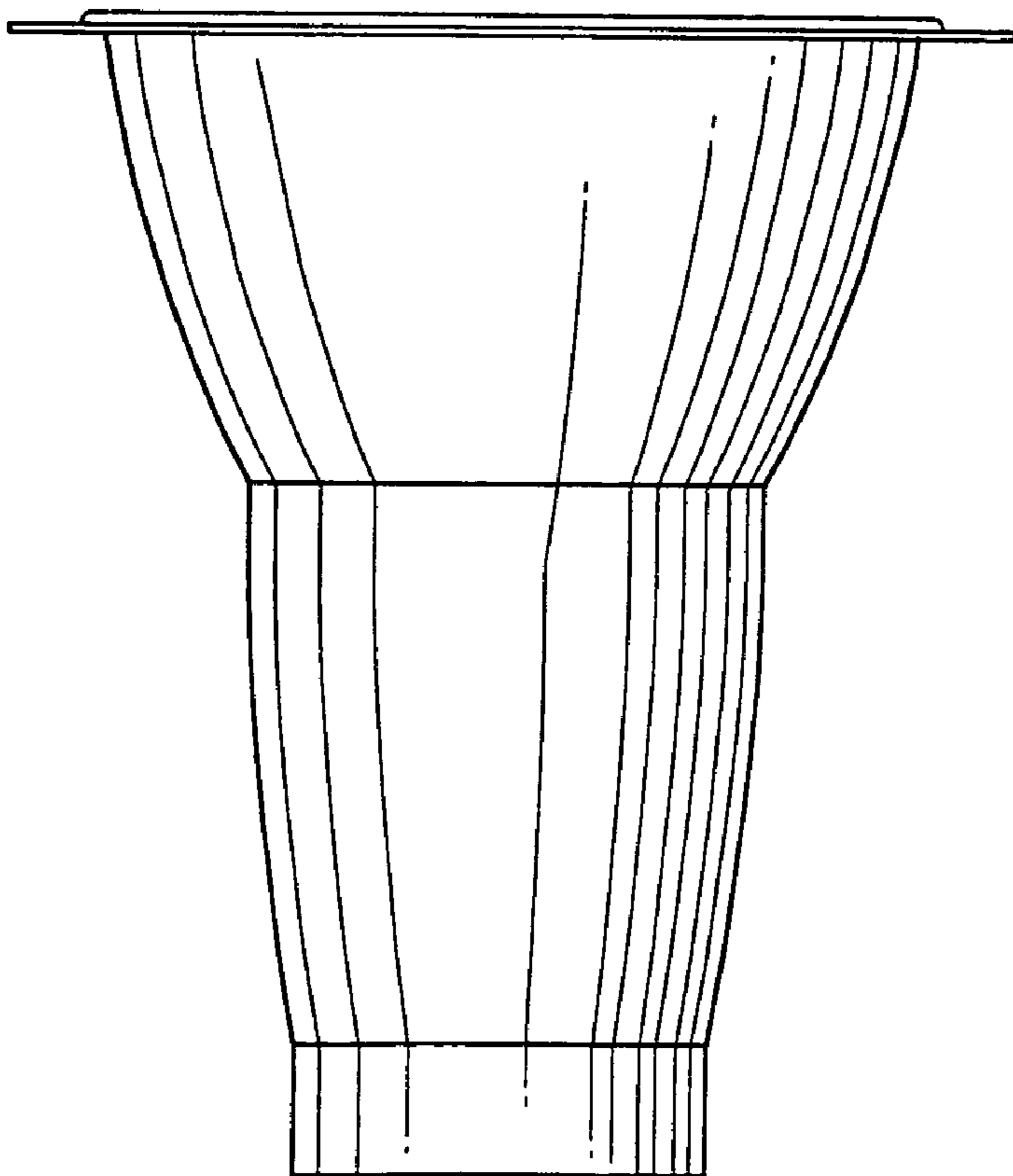


Fig. 3

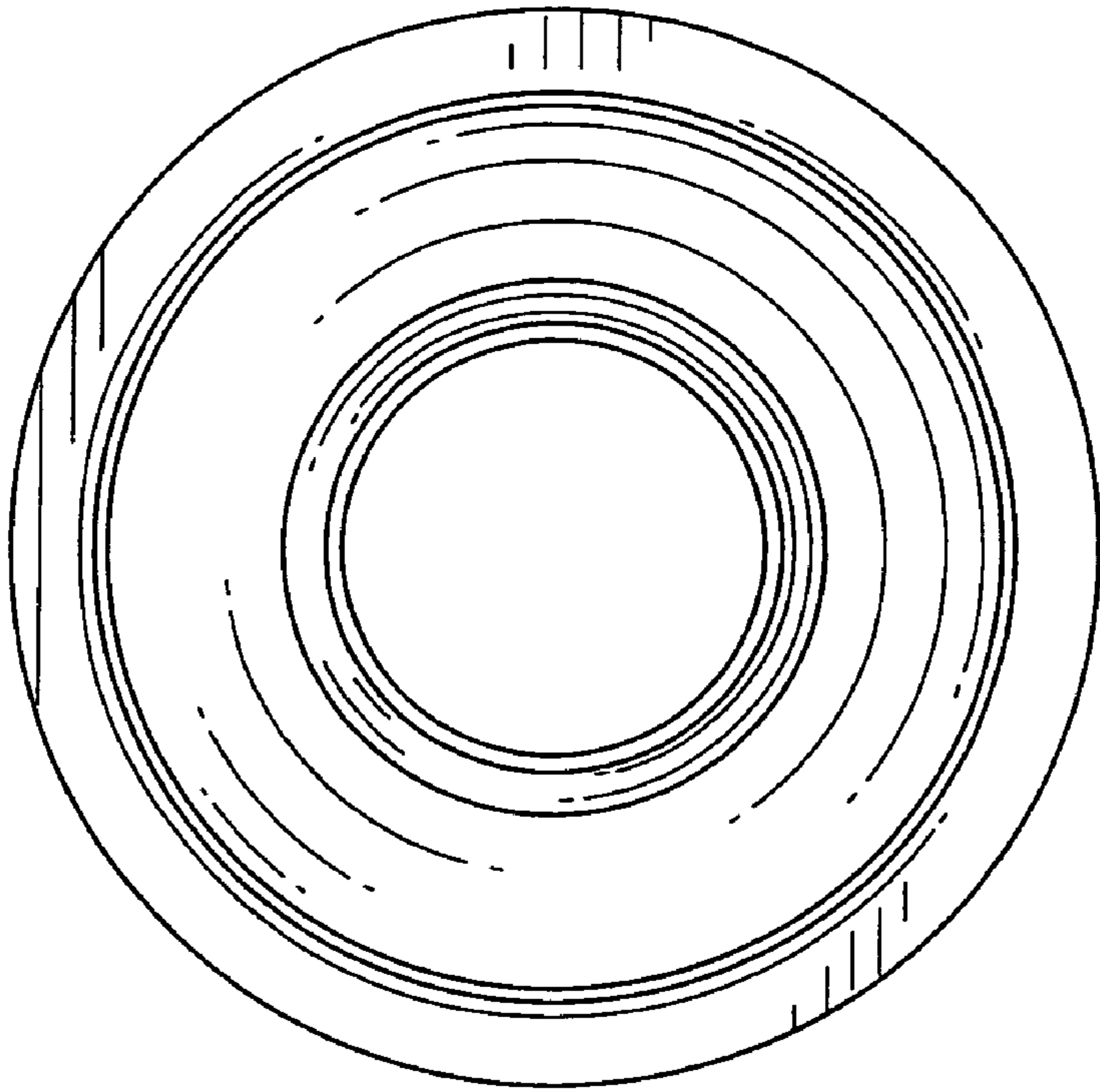


Fig. 6

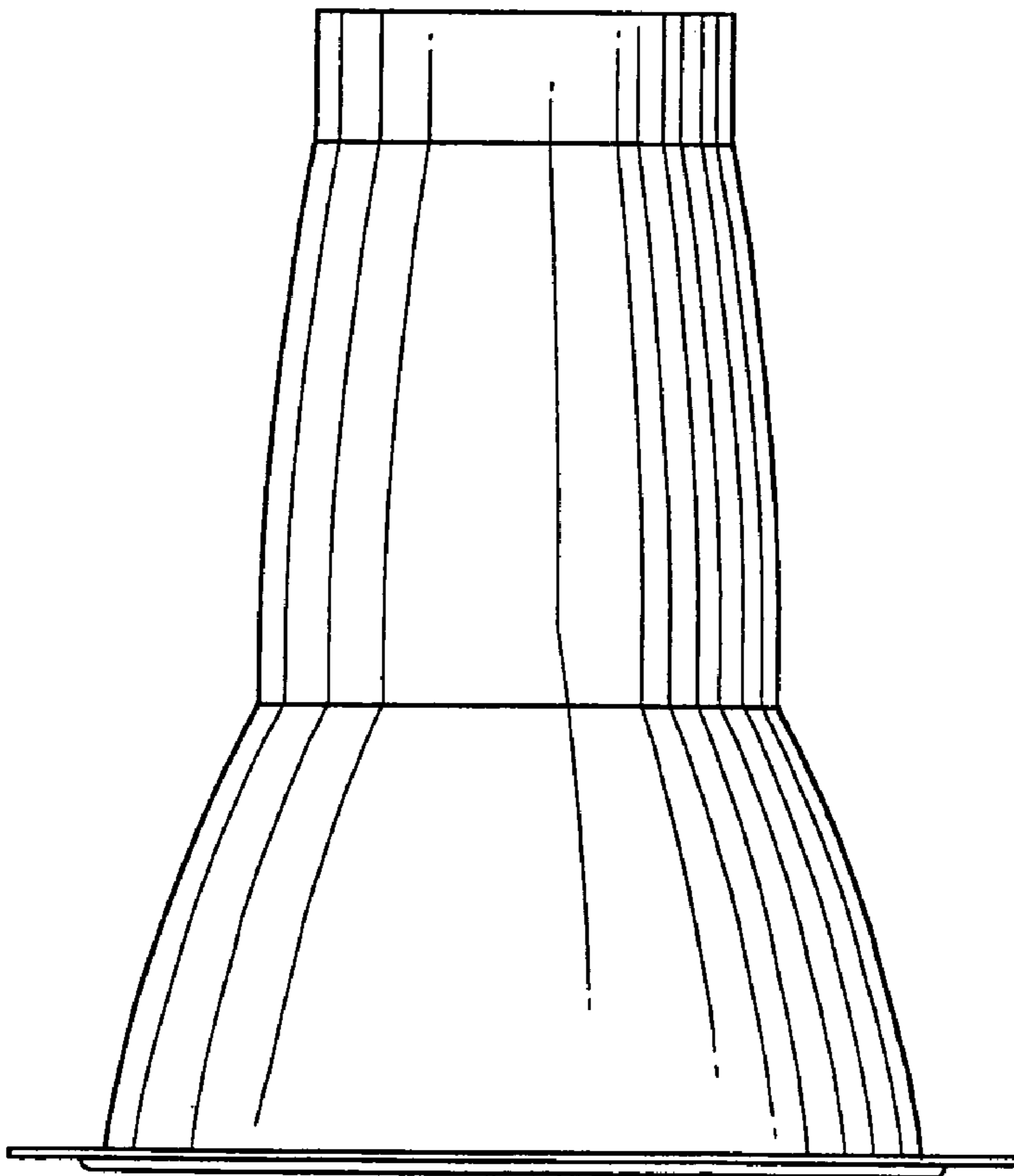


Fig. 5

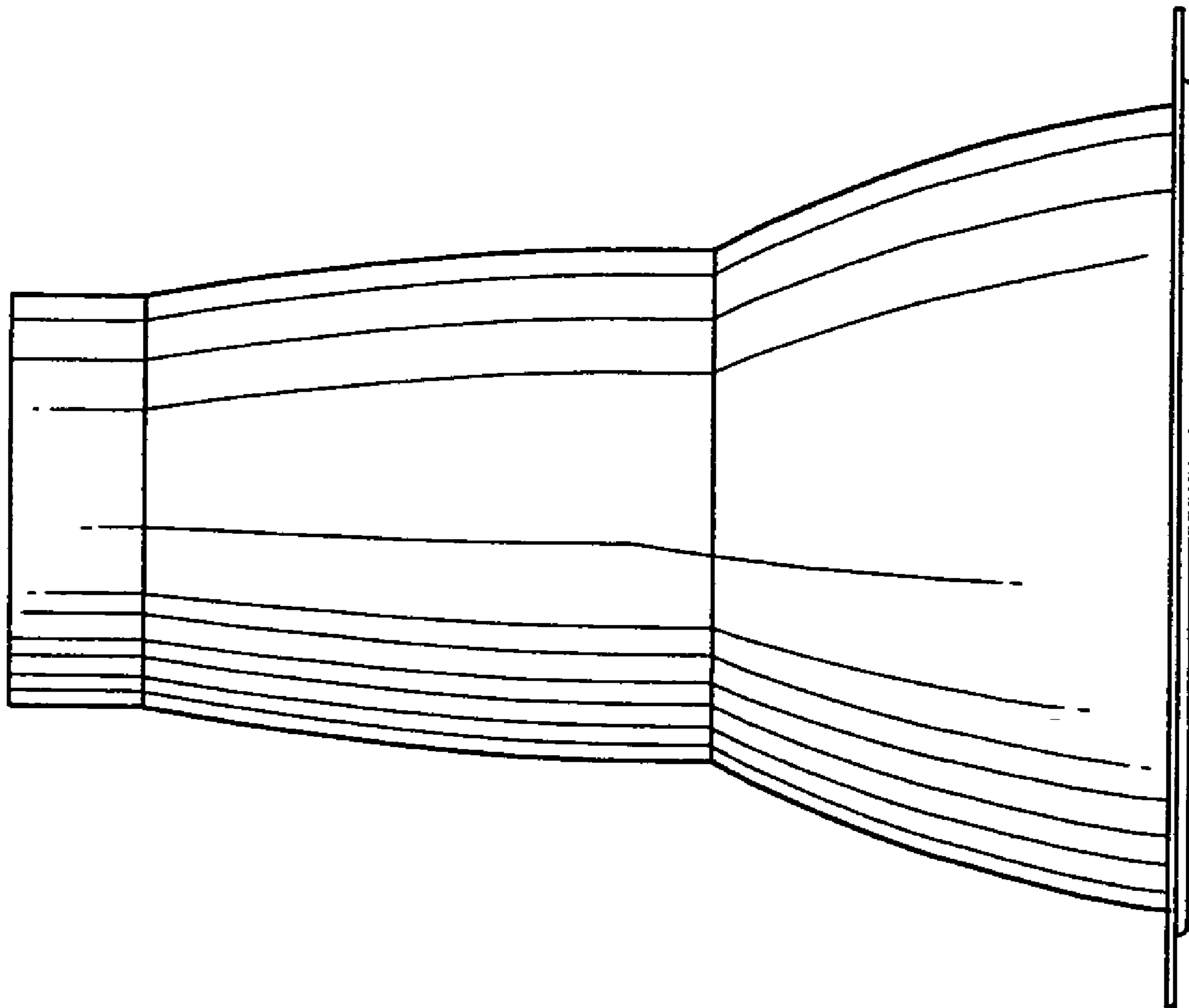


Fig. 7