



US00D549866S

(12) **United States Design Patent**  
**Pan**

(10) **Patent No.:** **US D549,866 S**

(45) **Date of Patent:** **\*\* Aug. 28, 2007**

(54) **CEILING FAN LIGHT KIT**

D501,689 S \* 2/2005 Pickett ..... D26/128  
D536,086 S \* 1/2007 Pan ..... D23/411

(75) Inventor: **Peter Pan**, Taichung Hsien (TW)

(73) Assignee: **Air Cool Industrial Co., Ltd.**,  
Taichung Hsien (TW)

(\*\*) Term: **14 Years**

(21) Appl. No.: **29/254,017**

(22) Filed: **Feb. 16, 2006**

(51) **LOC (8) Cl.** ..... **26-03**

(52) **U.S. Cl.** ..... **D26/89; D26/59**

(58) **Field of Classification Search** ..... D26/59,  
D26/85, 88, 89, 91, 128, 130-136; D23/377,  
D23/379, 411; 416/5; 362/147, 350, 364,  
362/365, 404, 406, 408

See application file for complete search history.

(56) **References Cited**

**U.S. PATENT DOCUMENTS**

D94,893 S \* 3/1935 Guth ..... D26/88  
D95,202 S \* 4/1935 Glatthar et al. .... D26/88  
D125,316 S \* 2/1941 Rolph ..... D26/132  
D341,442 S \* 11/1993 Shapiro ..... D26/118  
D348,729 S \* 7/1994 Mason ..... D23/411  
D424,680 S \* 5/2000 Wenzlick ..... D23/377  
6,805,471 B2 \* 10/2004 Strelnieks ..... 362/407

**OTHER PUBLICATIONS**

Light Fixtures # 4121-BQ and 4118-BQ on p. 142 of the KALCO  
Catalog No. X00-1, (C)2000.\*

\* cited by examiner

*Primary Examiner*—Clare E Heflin

(74) *Attorney, Agent, or Firm*—Troxell Law Office, PLLC

(57) **CLAIM**

I claim the ornamental design for a ceiling fan light kit, as  
shown and described.

**DESCRIPTION**

FIG. 1 is a front perspective view of a ceiling fan light kit  
showing my new design;

FIG. 2 is a front elevational view thereof;

FIG. 3 is a rear elevational view thereof.

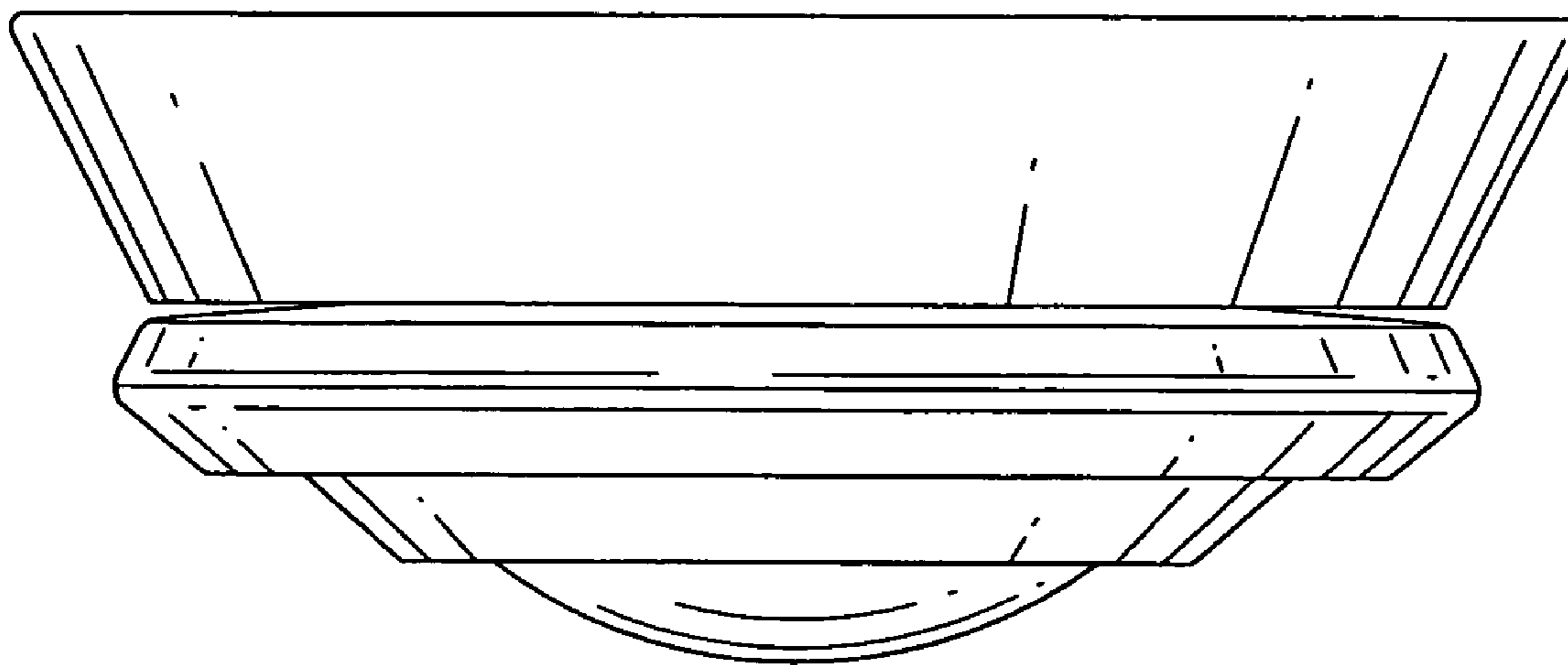
FIG. 4 is a left side elevational view thereof;

FIG. 5 is a right side elevational view thereof;

FIG. 6 is a top plan view thereof; and,

FIG. 7 is a bottom plan view thereof.

**1 Claim, 5 Drawing Sheets**



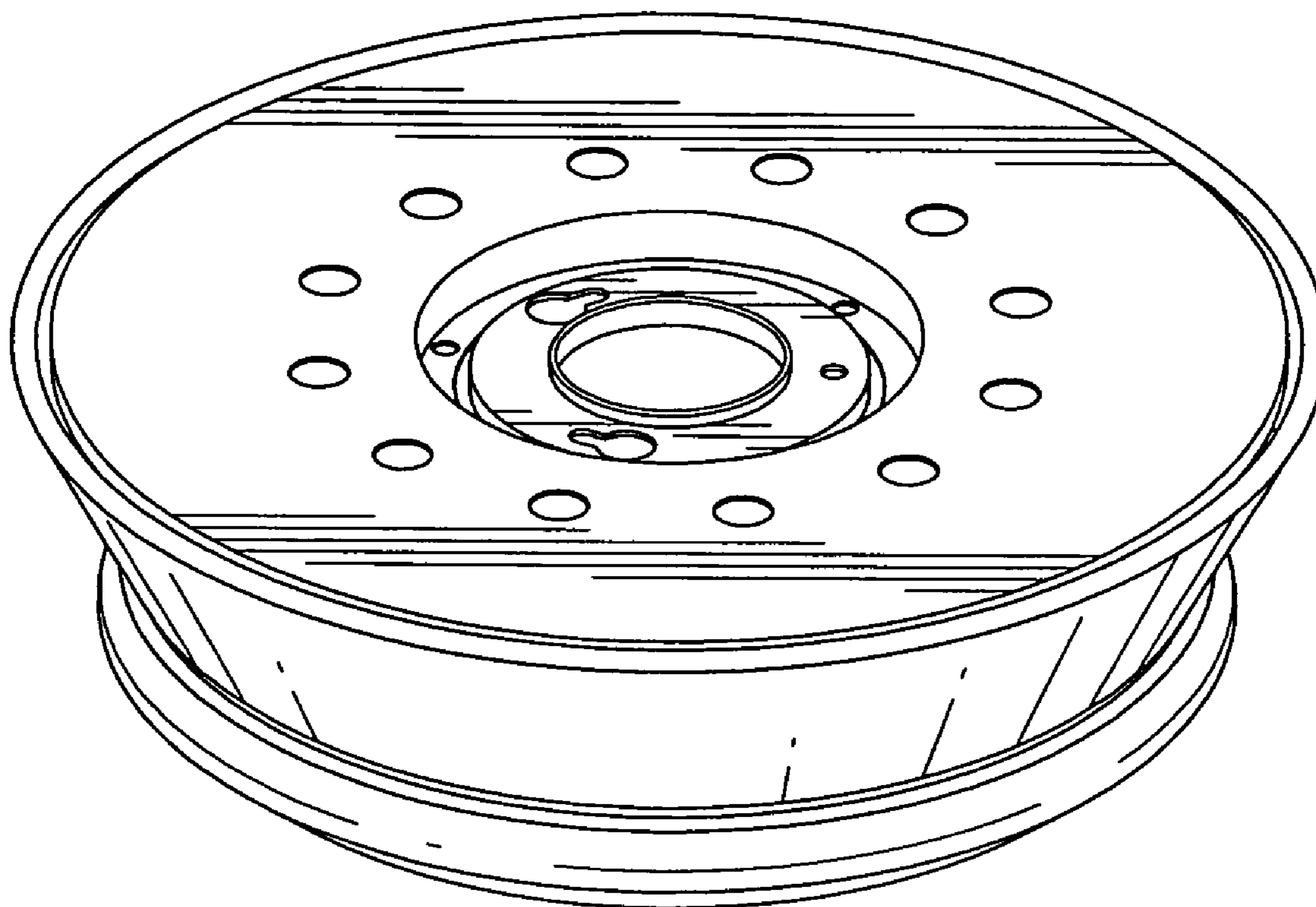


FIG. 1

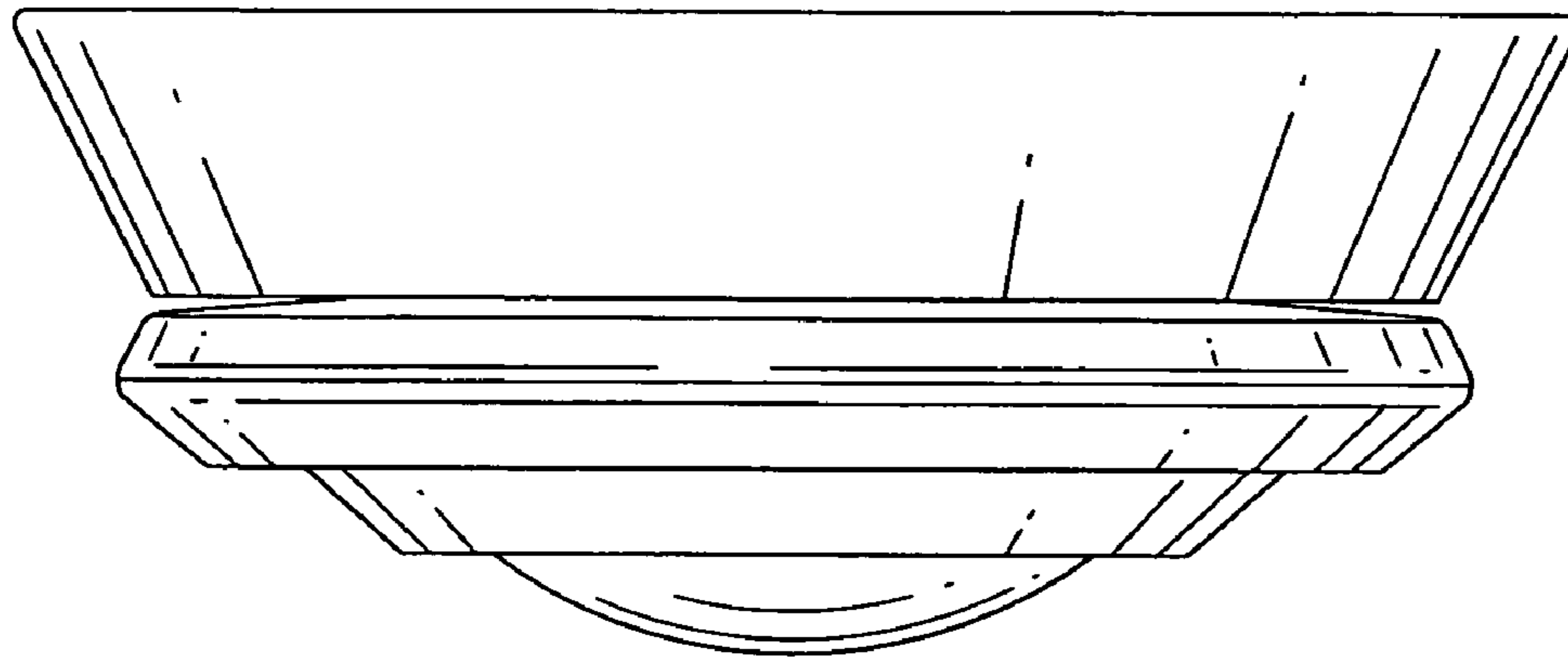


FIG. 2

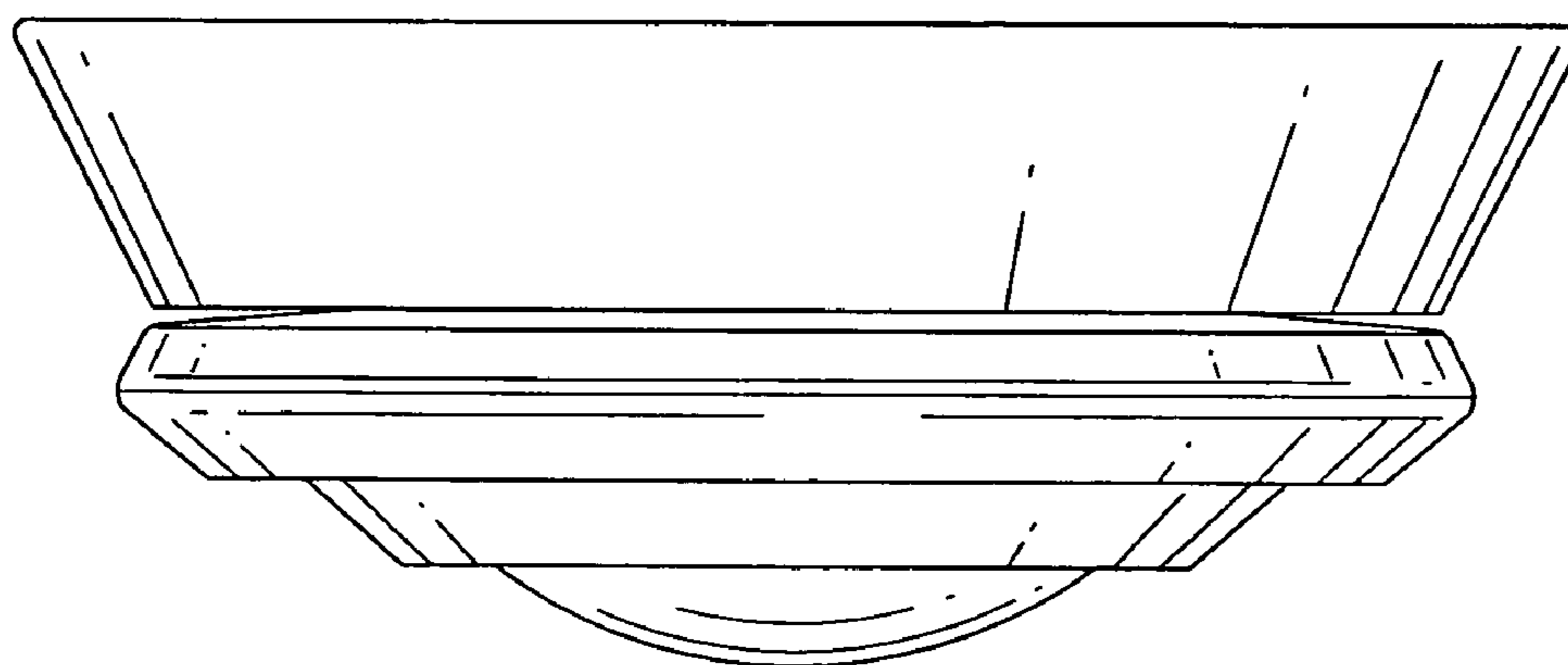


FIG. 3

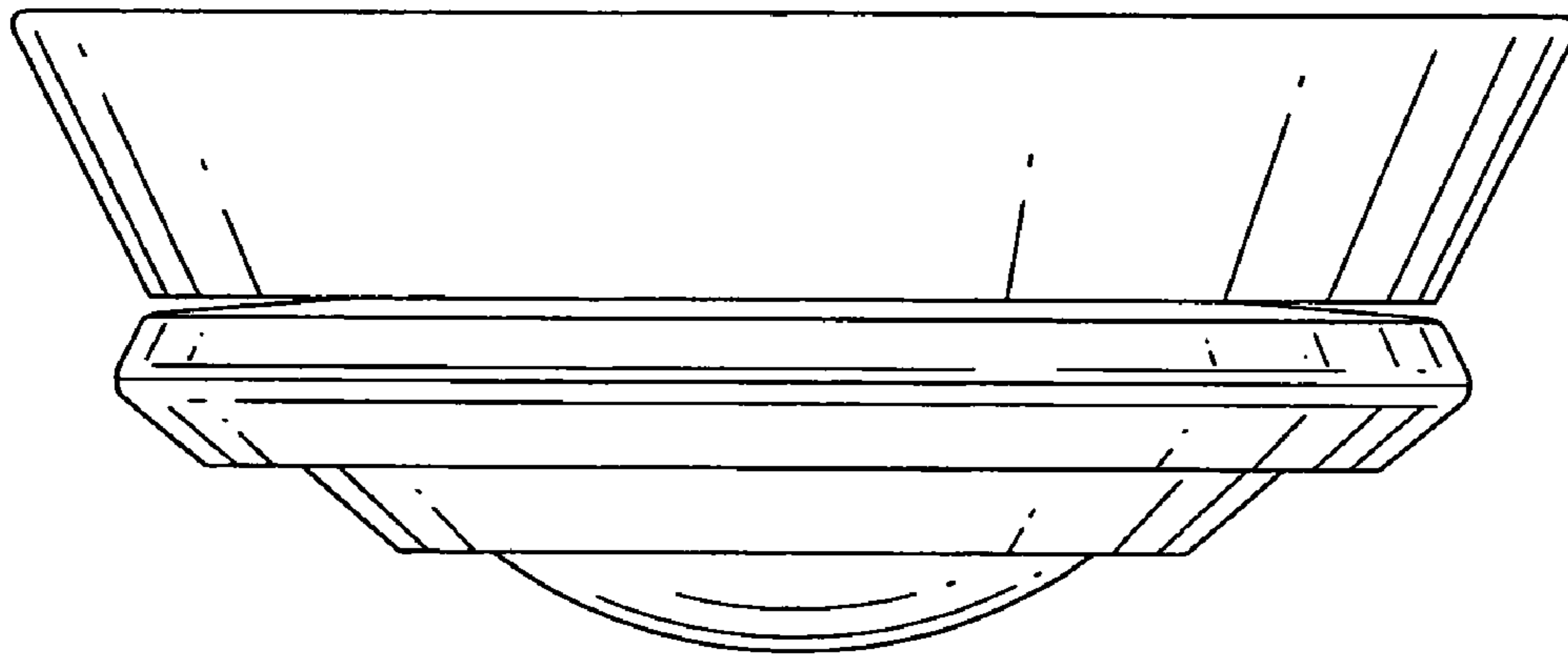


FIG. 4

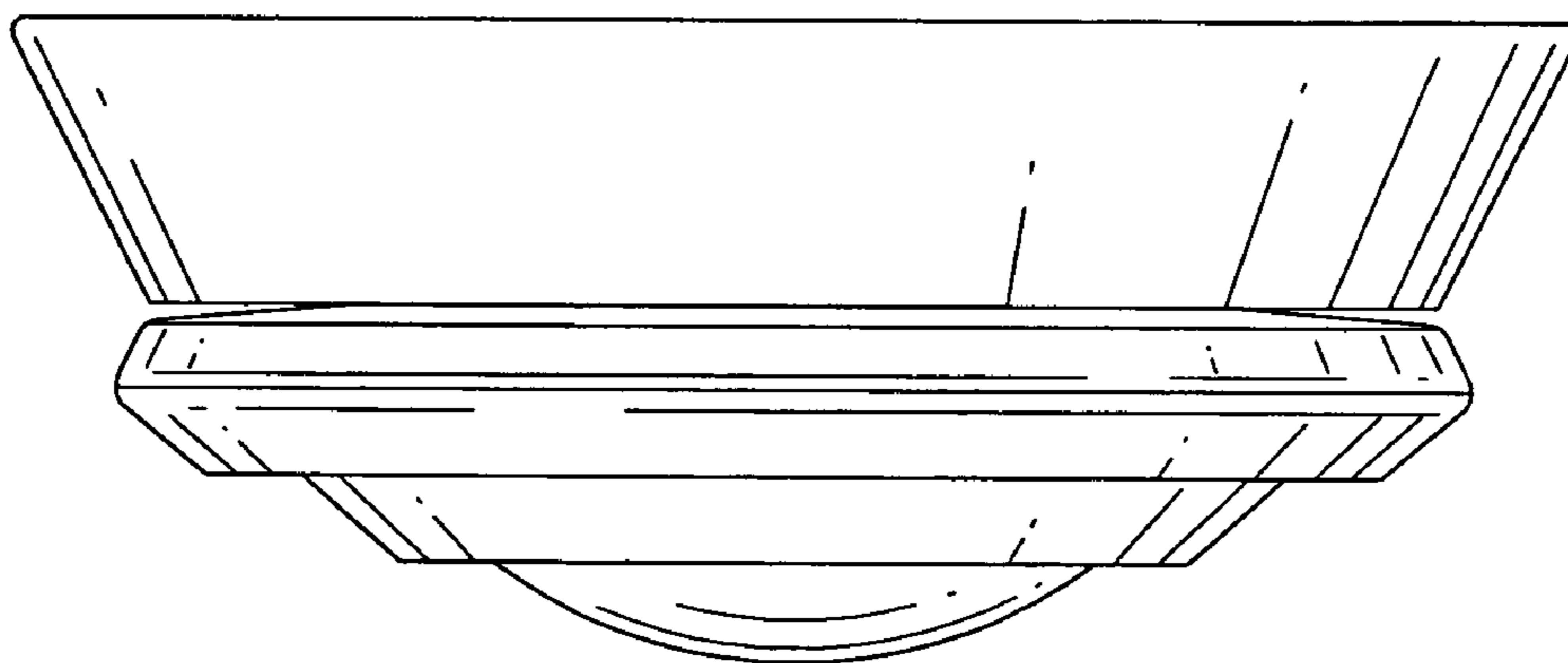


FIG. 5

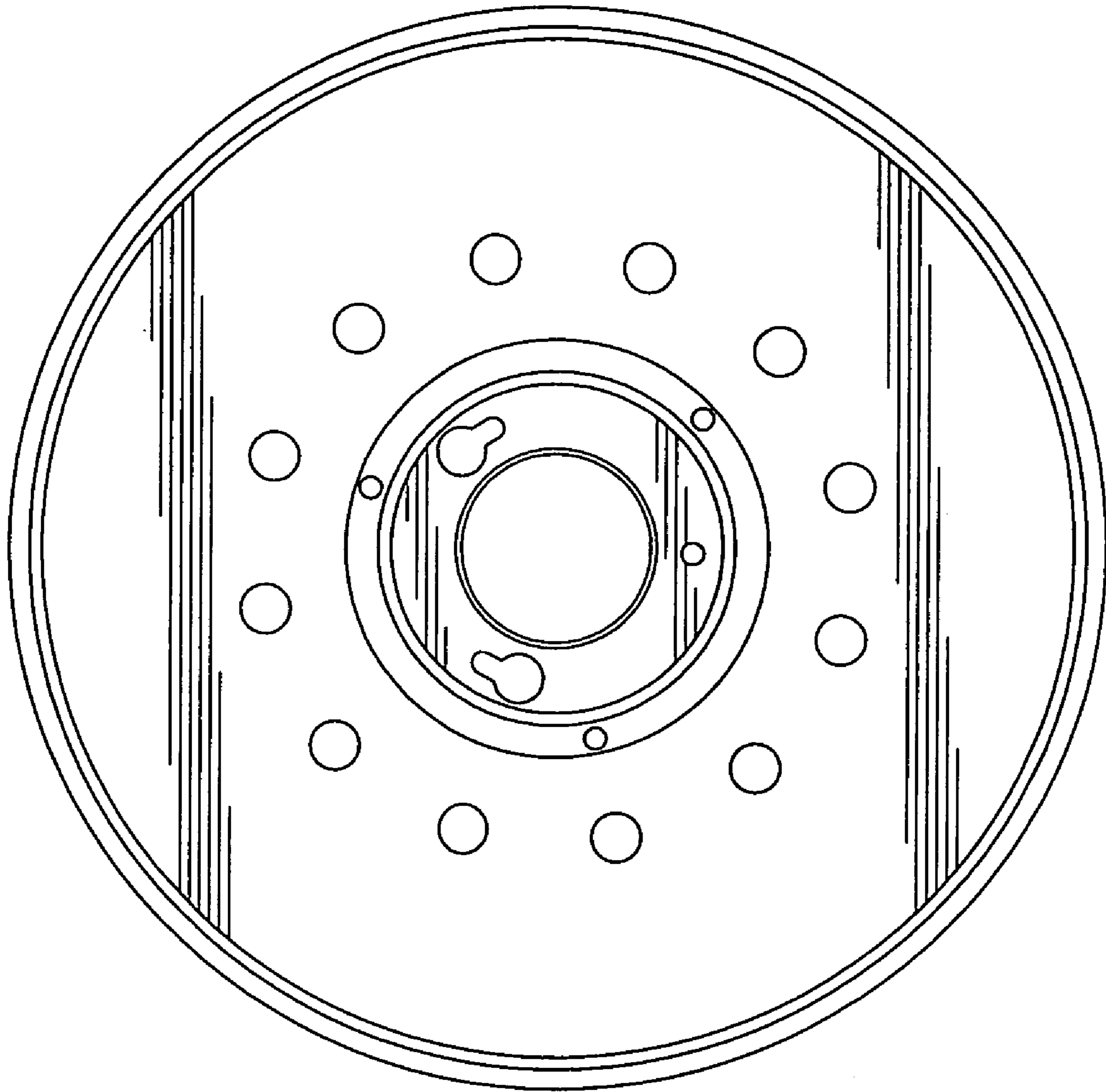


FIG. 6

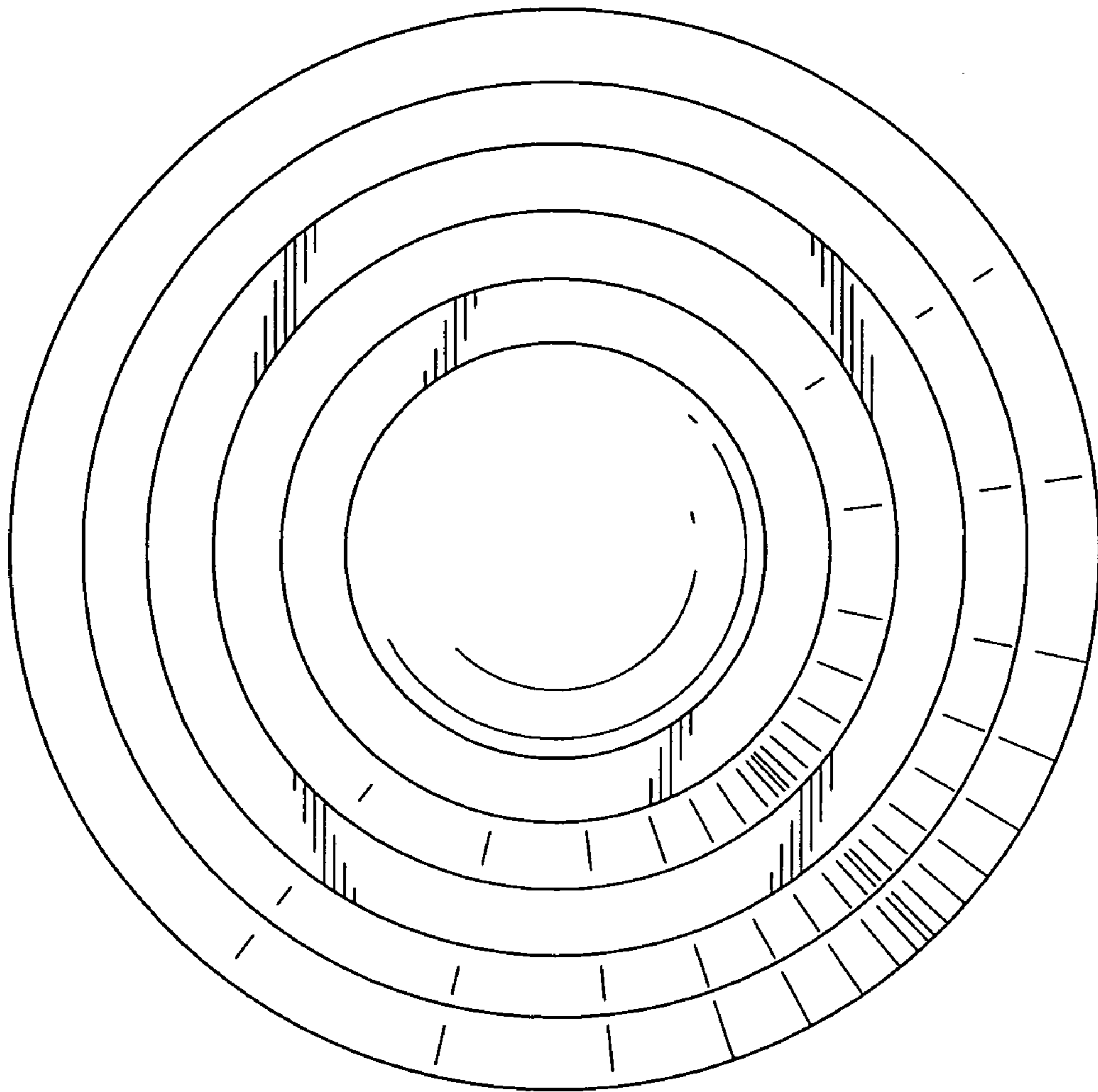


FIG. 7