

US00D549862S

(12) **United States Design Patent**  
**Lee**

(10) **Patent No.:** **US D549,862 S**

(45) **Date of Patent:** **\*\* Aug. 28, 2007**

(54) **FLASHLIGHT**

D537,551 S \* 2/2007 Chen ..... D26/37

(76) **Inventor:** **Wen-Sung Lee**, 8F-2, No. 60-2, 1st  
Road, Taichung Industrial Park,  
Taichung 407 (TW)

\* cited by examiner

*Primary Examiner*—Marcus A. Jackson  
(74) *Attorney, Agent, or Firm*—Banger Shia

(\*\*) **Term:** **14 Years**

(57) **CLAIM**

(21) **Appl. No.:** **29/276,159**

I claim the ornamental design for a flashlight, as shown and described.

(22) **Filed:** **Jan. 17, 2007**

(51) **LOC (8) Cl.** ..... **26-02**

(52) **U.S. Cl.** ..... **D26/37**

(58) **Field of Classification Search** ..... D26/37-50;  
362/157, 158, 171-174, 183-208

See application file for complete search history.

**DESCRIPTION**

FIG. 1 is a perspective view of a flashlight, showing my new design;

FIG. 2 is a front elevational view thereof;

FIG. 3 is a rear elevational view thereof;

FIG. 4 is a left side elevational view thereof;

FIG. 5 is a right side elevational view thereof;

FIG. 6 is a top plan view thereof; and,

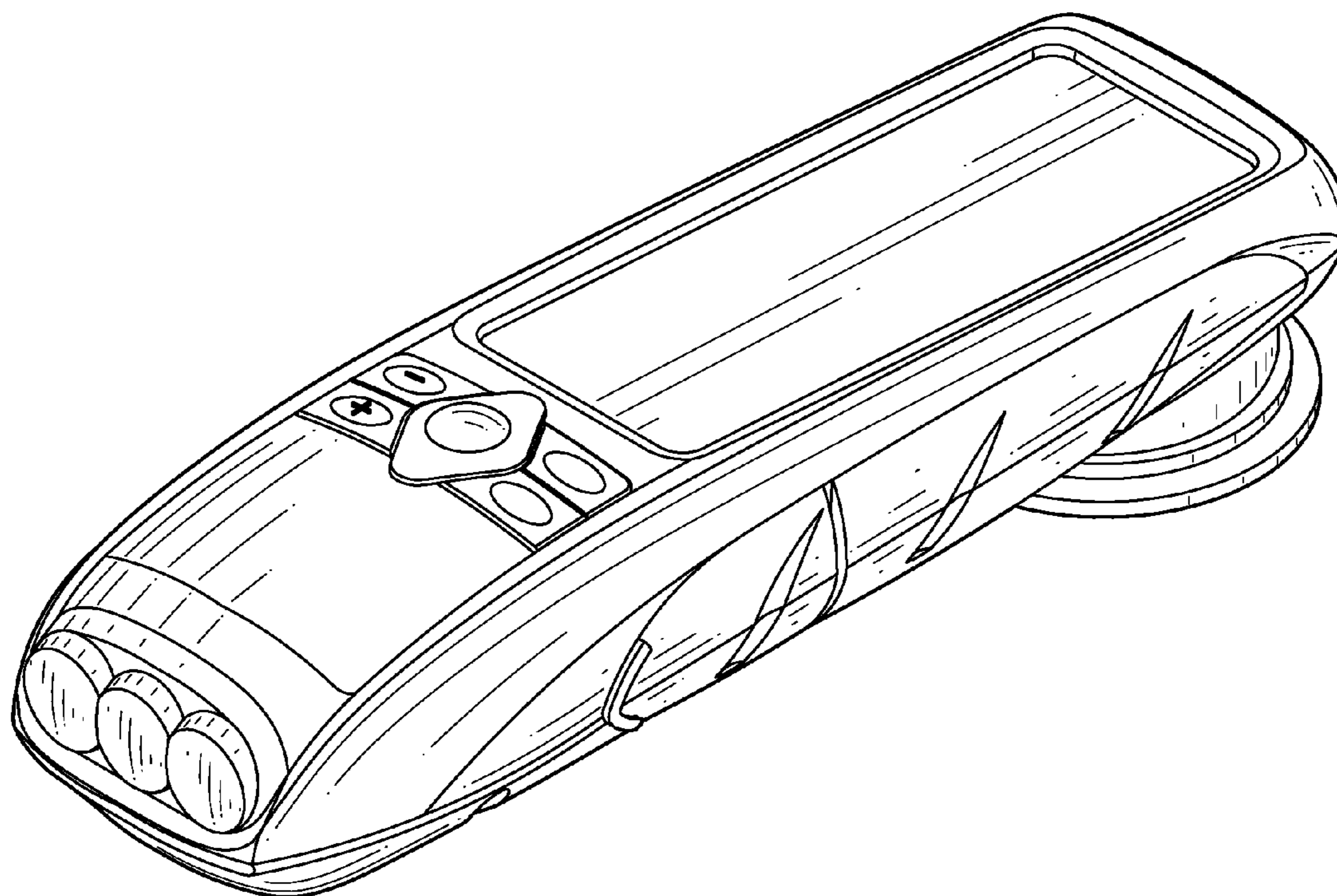
FIG. 7 is a bottom plan view thereof.

(56) **References Cited**

**U.S. PATENT DOCUMENTS**

D513,335 S *	12/2005	Lee	.....	D26/37
D520,160 S *	5/2006	Lee	.....	D26/37
D524,470 S *	7/2006	Lee	.....	D26/37
D529,212 S *	9/2006	Yuen	.....	D26/37

**1 Claim, 7 Drawing Sheets**



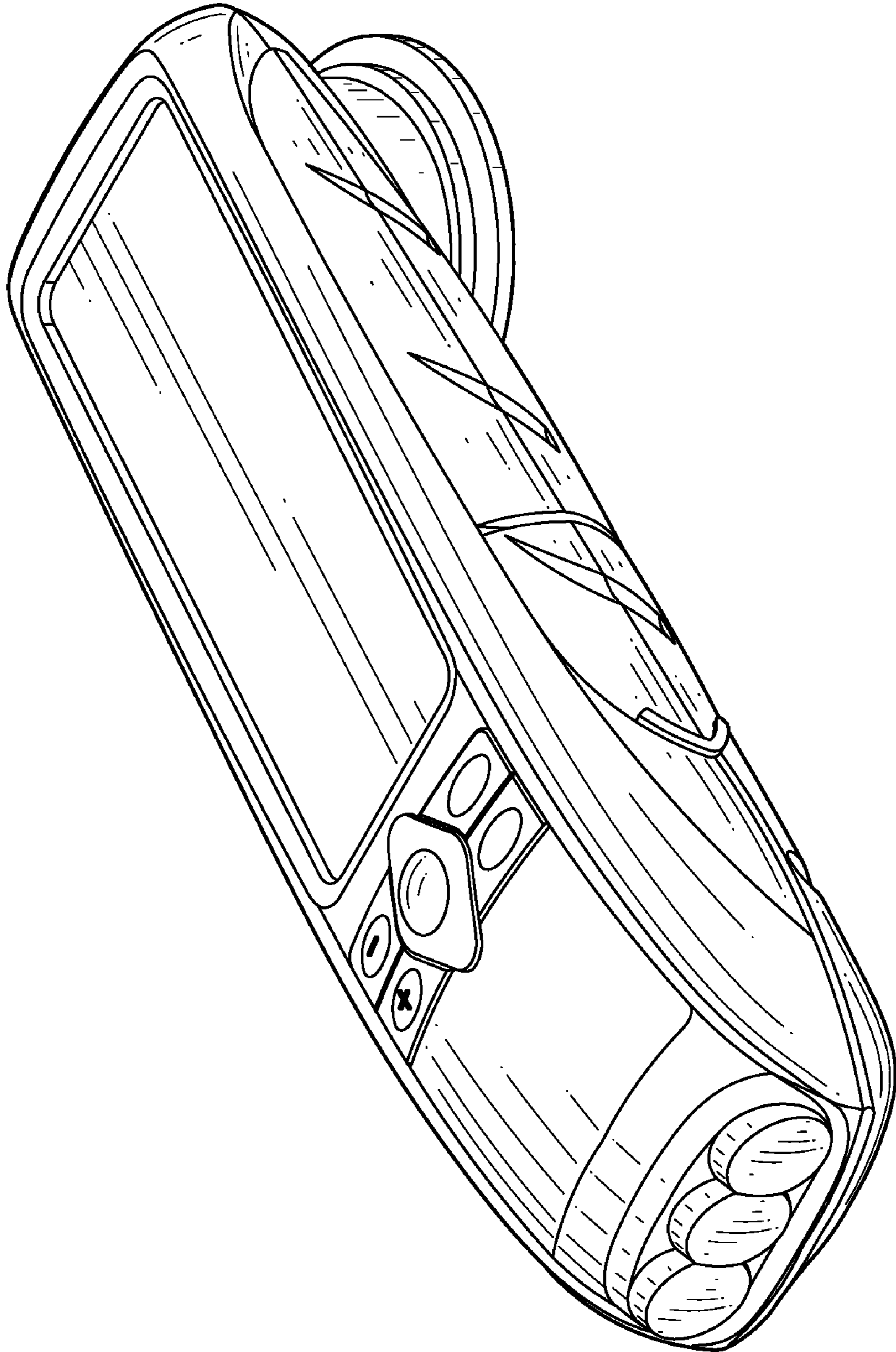


FIG. 1

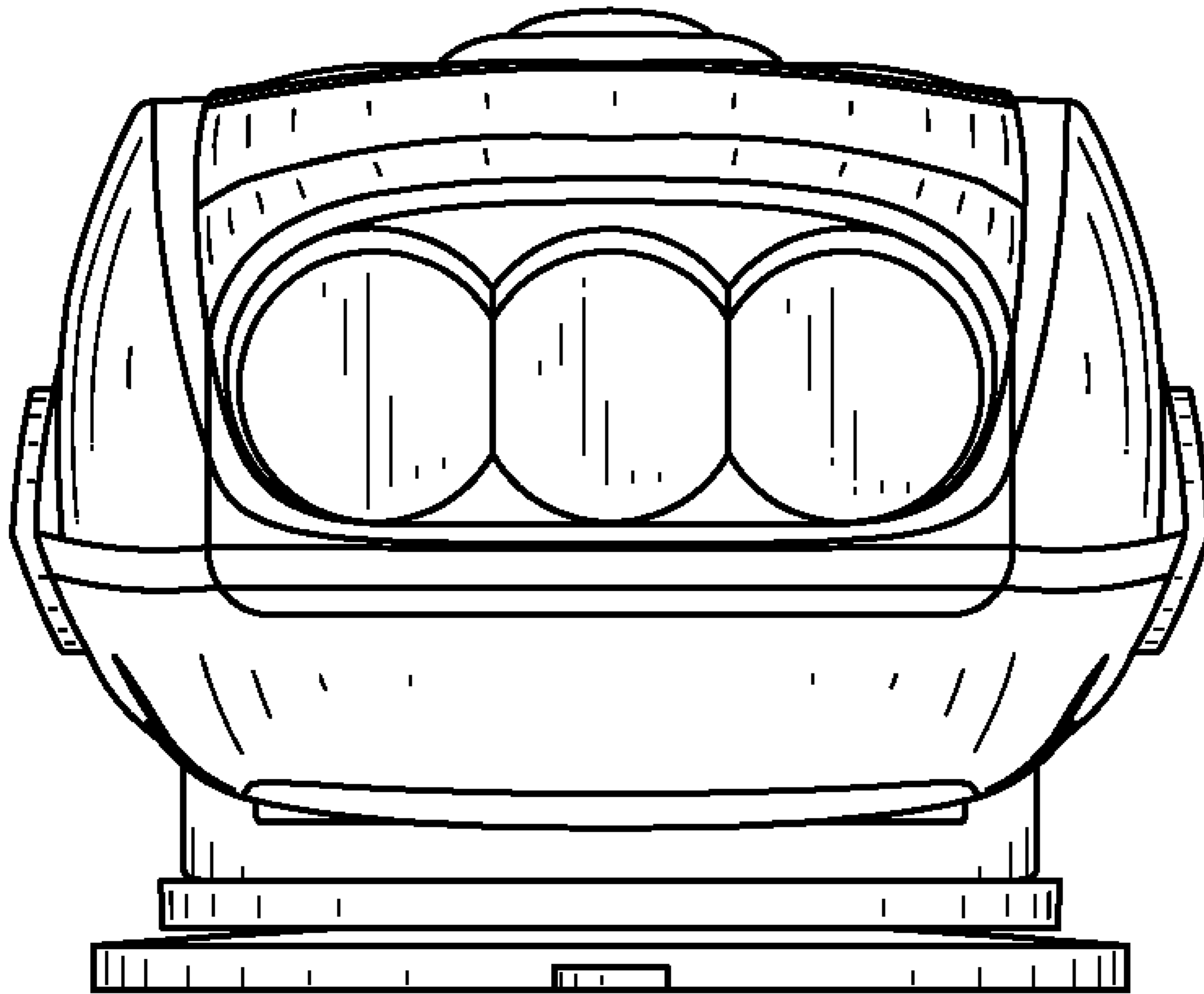


FIG. 2

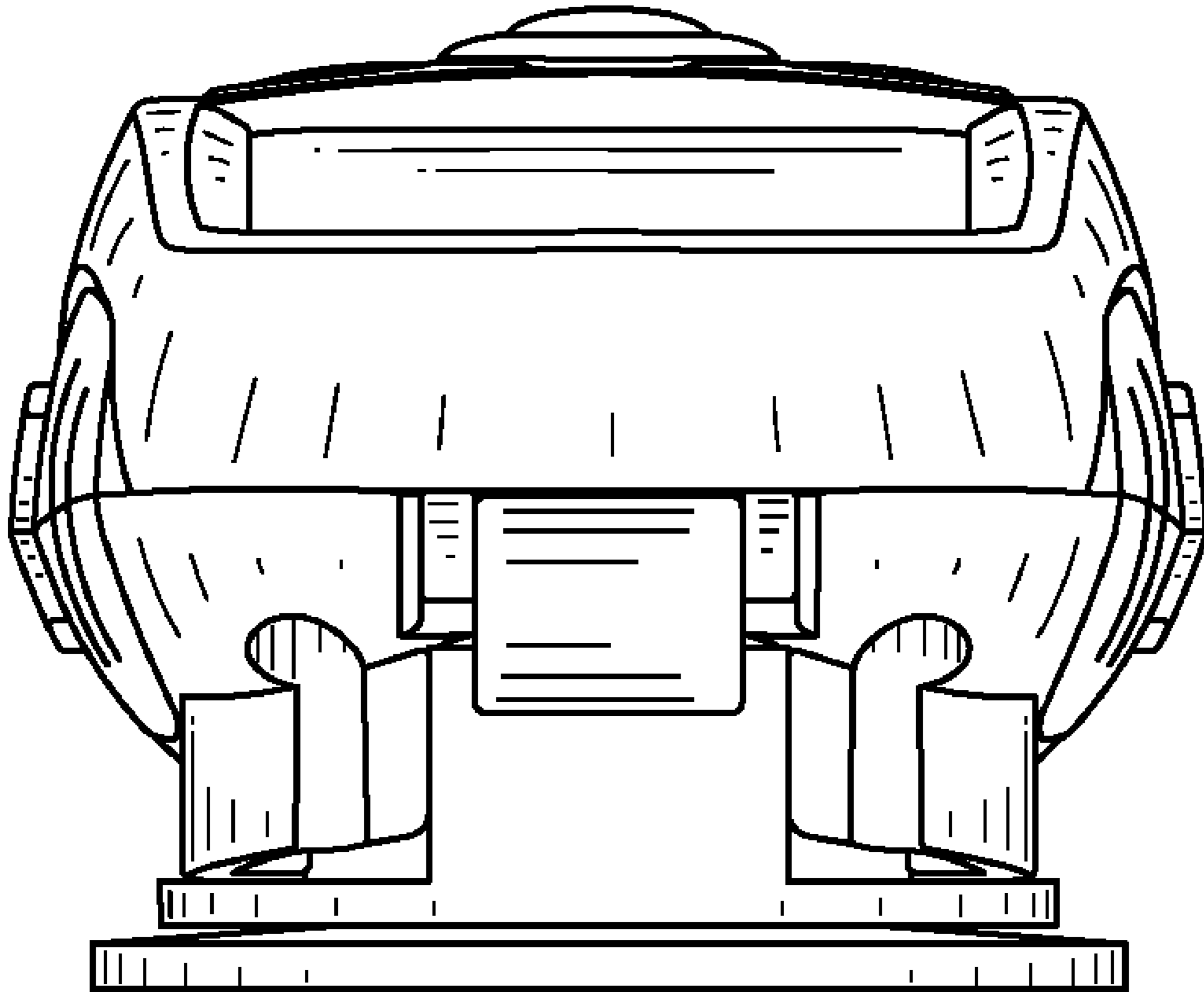


FIG. 3

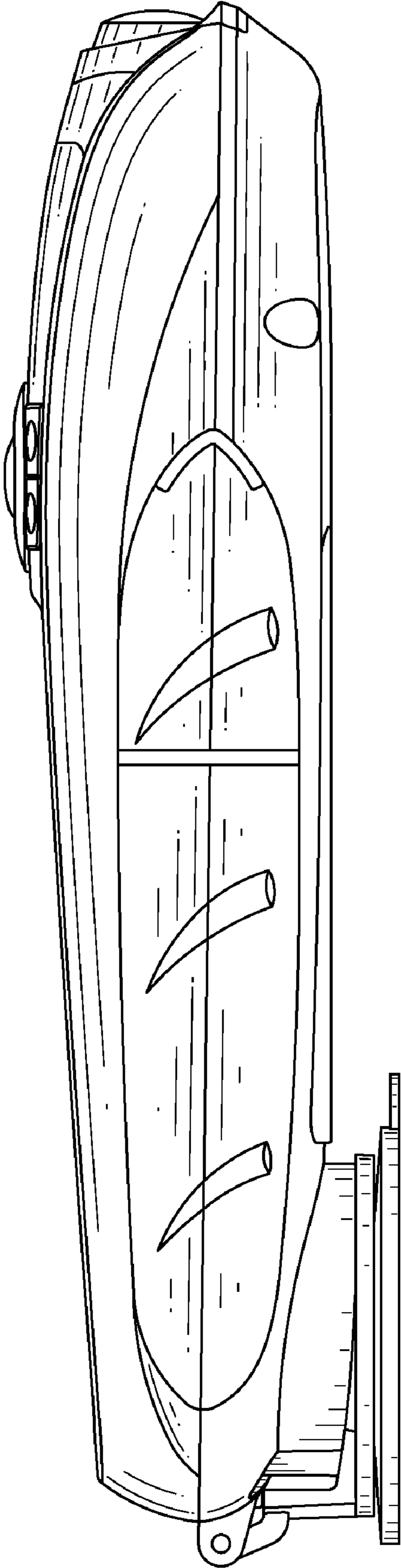


FIG. 4

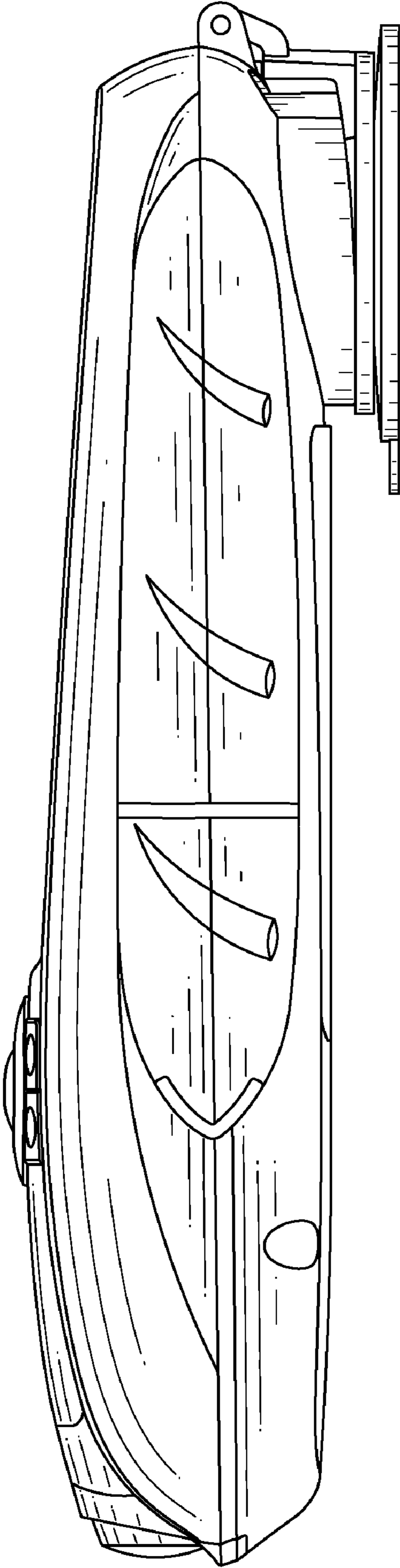


FIG. 5

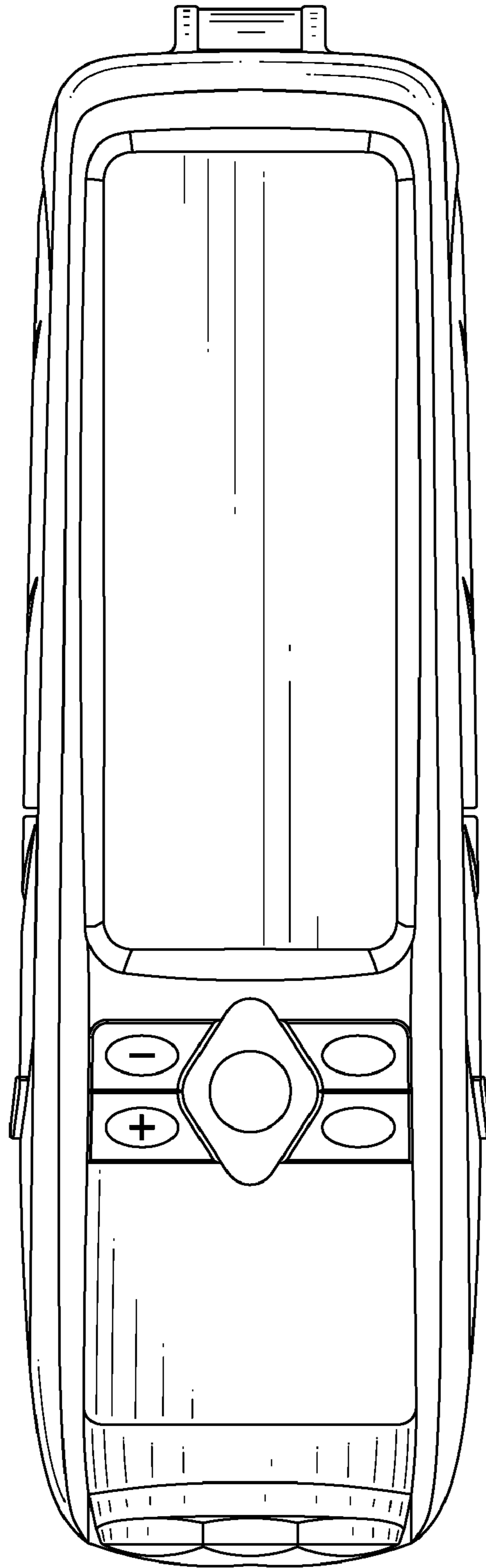


FIG. 6

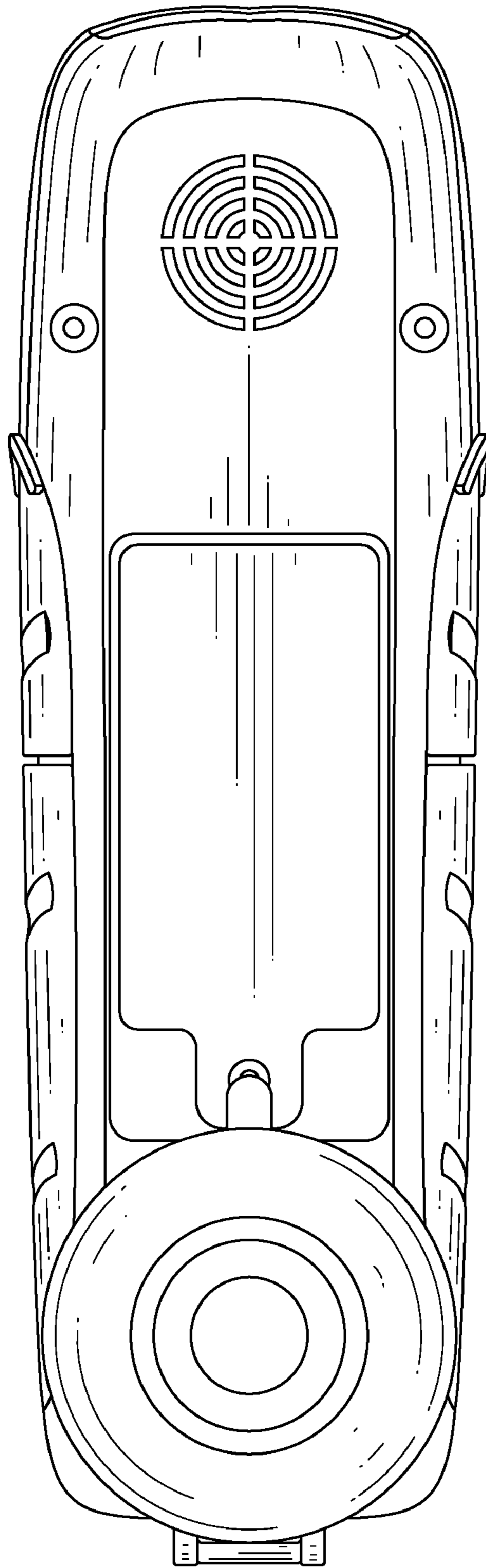


FIG. 7