

US00D549859S

(12) **United States Design Patent**  
**Kovacik et al.**

(10) **Patent No.:** **US D549,859 S**

(45) **Date of Patent:** **\*\* Aug. 28, 2007**

(54) **LED UTILITY LIGHT WITH STAND**

(75) Inventors: **James D. Kovacik**, Brecksville, OH (US); **Paul S. Blanch**, Broadview Heights, OH (US); **Joseph J. Smith**, Wooster, OH (US)

(73) Assignee: **Alert Safety Lite Products Co., Inc.**, Bedford Heights, OH (US)

(\*\*) Term: **14 Years**

(21) Appl. No.: **29/239,789**

(22) Filed: **Oct. 4, 2005**

(51) **LOC (8) Cl.** ..... **26-02**

(52) **U.S. Cl.** ..... **D26/37**

(58) **Field of Classification Search** ..... D26/30, D26/34, 37, 38-40, 44, 46-50, 63; D13/182; D6/300, 329, 429; 362/157, 158, 171-174, 362/183-208, 287, 282

See application file for complete search history.

(56) **References Cited**

**U.S. PATENT DOCUMENTS**

D135,092 S	2/1943	Biller	
3,560,730 A	2/1971	Morton	
D235,573 S	6/1975	Brych	
4,156,893 A	5/1979	Baake	
4,164,784 A *	8/1979	Jaksich	362/282
4,262,327 A	4/1981	Kovacik et al.	
4,432,043 A	2/1984	Yuen	
4,442,984 A	4/1984	Bayat	
4,463,413 A	7/1984	Shirley	
D275,523 S *	9/1984	Ader	D26/39
4,598,344 A	7/1986	Nadler	
4,774,647 A	9/1988	Kovacik et al.	
4,929,199 A	5/1990	McKinnon	
4,958,267 A	9/1990	Baake	
5,023,764 A	6/1991	McKinnon et al.	
5,050,055 A	9/1991	Lindsay et al.	
5,115,382 A	5/1992	Smith	
5,117,345 A	5/1992	Baake	
5,195,823 A	3/1993	Sidabras	
5,243,505 A	9/1993	Carr	

5,243,507 A	9/1993	Atkins et al.	
5,301,093 A	4/1994	Baggio	
D348,249 S	6/1994	Hester	
5,386,358 A	1/1995	Hillinger	
D357,757 S *	4/1995	Bamber et al.	D26/37
5,410,453 A	4/1995	Ruskouski	

(Continued)

**FOREIGN PATENT DOCUMENTS**

DE	198 02 998	8/1998
DE	203 17 017	3/2004
WO	WO02/03761	1/2002

*Primary Examiner*—Ian Simmons  
*Assistant Examiner*—Carissa Fitts  
(74) *Attorney, Agent, or Firm*—Butzel Long

(57) **CLAIM**

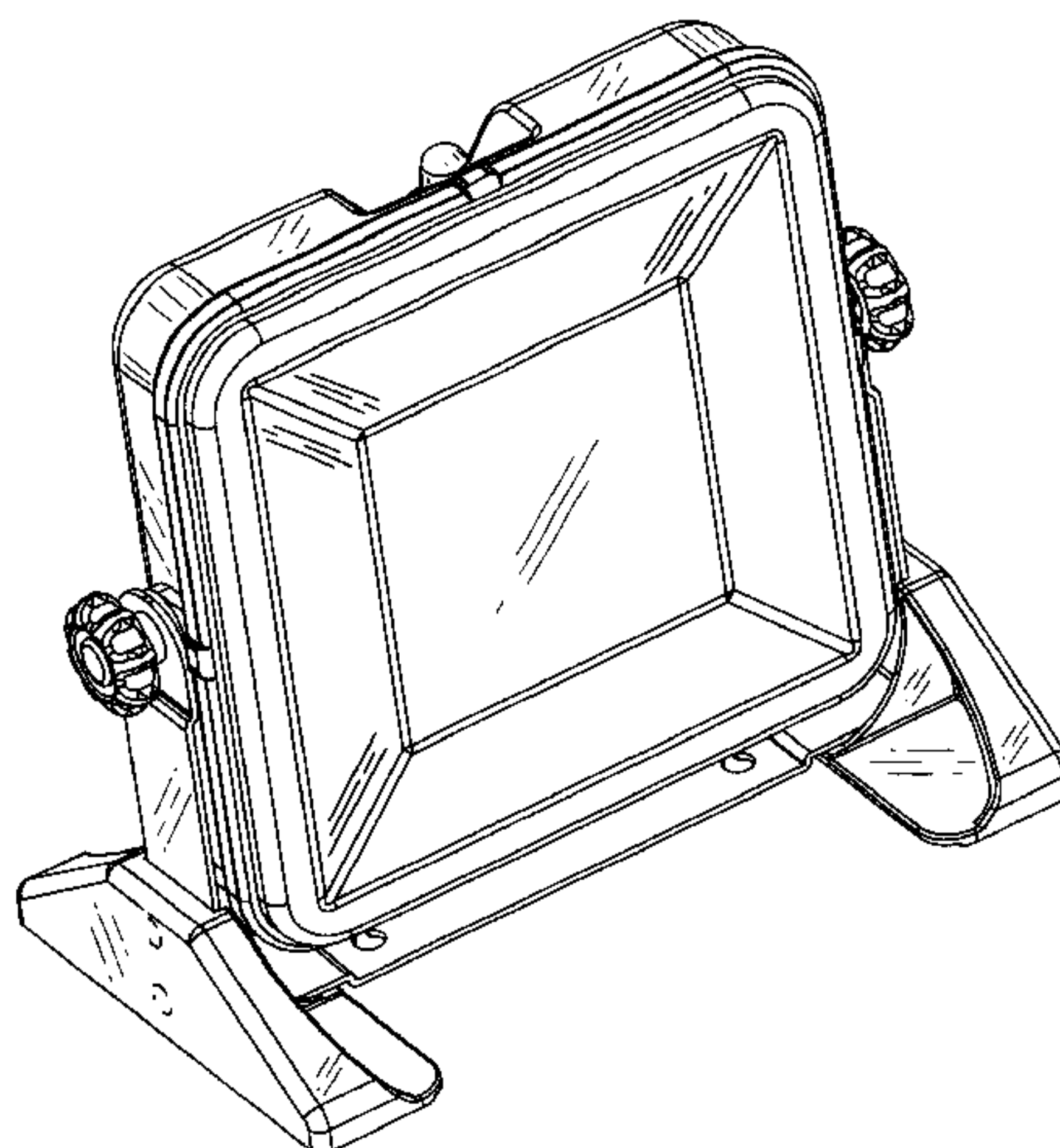
The ornamental design for a LED utility light with stand, as shown and described.

**DESCRIPTION**

FIG. 1 is a front perspective view of a LED utility light with stand of the present invention;  
FIG. 2 is a left side elevation view thereof;  
FIG. 3 is a front elevation view thereof;  
FIG. 4 is a right side elevation view thereof;  
FIG. 5 is a rear elevation view thereof;  
FIG. 6 is a top plan view thereof;  
FIG. 7 is a bottom plan view thereof; and,  
FIG. 8 is a cross-sectional view taken along the line 8—8 looking upward of the lens detail shown removed for ease of illustration.

The broken line showing of an electrical cord shown in FIGS. 2 thru 7 and two circle details shown in FIGS. 1, 2 and 4 is included for the purpose of illustrating only and forms no part of the claimed design.

**1 Claim, 5 Drawing Sheets**



# US D549,859 S

Page 2

U.S. PATENT DOCUMENTS					
5,436,815	A	7/1995 Grooms et al.	D451,226	S	11/2001 Leen
5,465,196	A	11/1995 Hasenberg et al.	6,367,949	B1	4/2002 Pederson
5,528,477	A	6/1996 Carmo	6,386,736	B1	5/2002 Reiff et al.
5,541,822	A	7/1996 Bamber	D458,400	S	6/2002 Kovacik et al.
D373,212	S	* 8/1996 Clark ..... D26/74	D462,802	S	* 9/2002 Kovacik et al. .... D26/63
5,685,631	A	* 11/1997 Dobert et al. .... 362/158	6,534,926	B1	3/2003 Miller et al.
5,700,089	A	12/1997 McKinnon	6,554,459	B2	4/2003 Yu et al.
D389,931	S	1/1998 Kovacik et al.	D483,508	S	12/2003 Galvez
5,765,941	A	6/1998 Vest	D483,893	S	12/2003 Galvez
5,818,234	A	10/1998 McKinnon	D484,628	S	12/2003 Bayat et al.
D403,094	S	* 12/1998 Grossman et al. .... D26/63	6,663,265	B2	12/2003 Kovacik et al.
D409,776	S	5/1999 Ghode et al.	D486,599	S	2/2004 Bayat et al.
5,921,658	A	7/1999 Kovacik et al.	6,722,774	B2	4/2004 Kovacik et al.
5,975,719	A	11/1999 Reiff et al.	6,769,791	B2	8/2004 Kovacik et al.
5,984,490	A	* 11/1999 Leen ..... 362/240	D502,276	S	2/2005 Kovacik et al.
D421,142	S	2/2000 Bayat	6,857,756	B2	2/2005 Reiff et al.
D421,143	S	2/2000 Kovacik et al.	6,902,295	B2	6/2005 Galvez
6,123,434	A	9/2000 Meltzer	2002/0191396	A1	12/2002 Reiff et al.
6,132,071	A	10/2000 Yuen	2003/0039121	A1	2/2003 Nezigane
6,169,373	B1	1/2001 Riesinger	2003/0123254	A1	7/2003 Brass et al.
6,176,592	B1	1/2001 Kovacik et al.	2003/0179572	A1	9/2003 Schnell
6,260,442	B1	7/2001 Bayat	2004/0228124	A1	11/2004 Reiff et al.
D449,398	S	10/2001 Tsao	2005/0265035	A1	12/2005 Brass et al.

\* cited by examiner

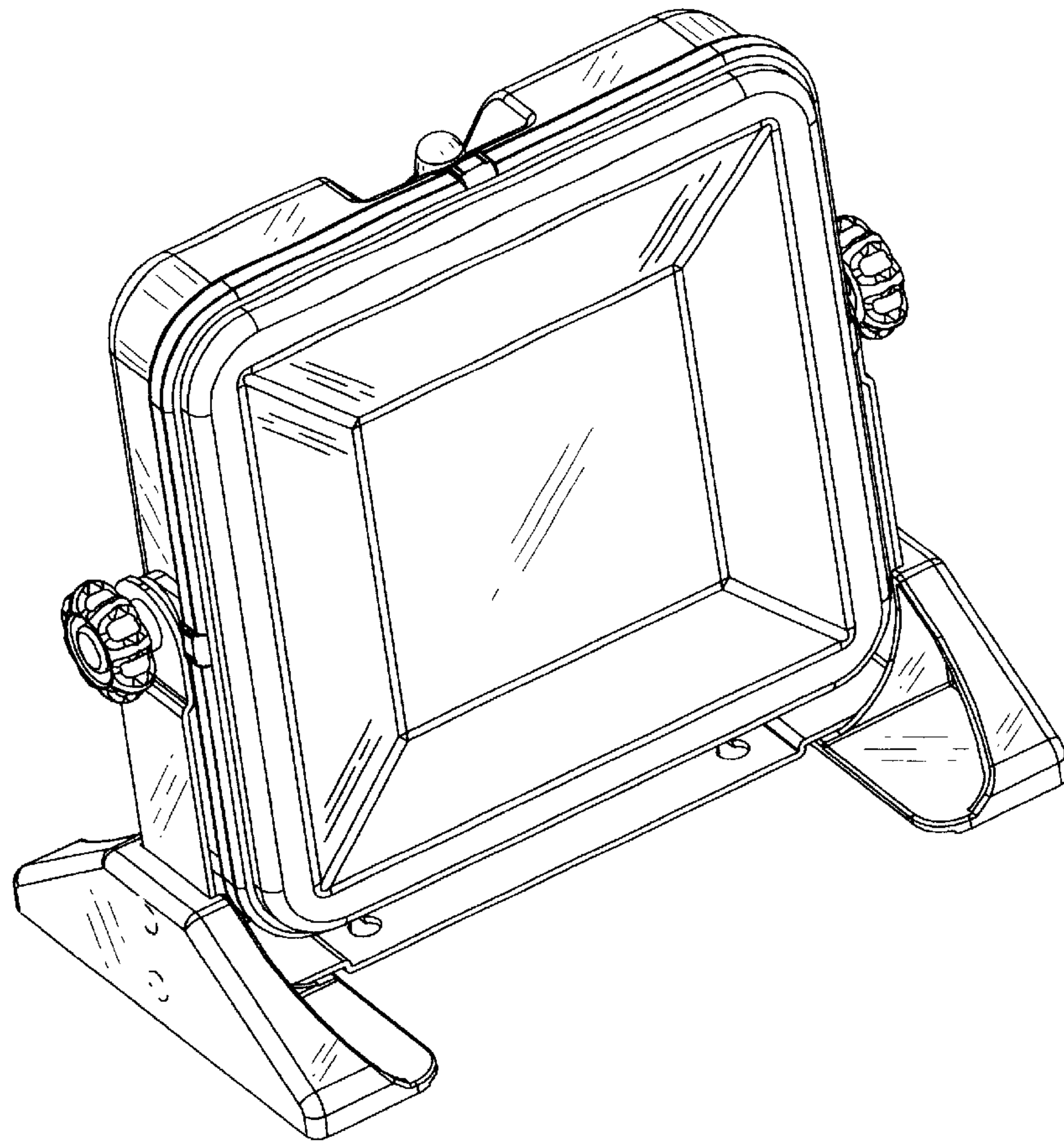


Figure 1

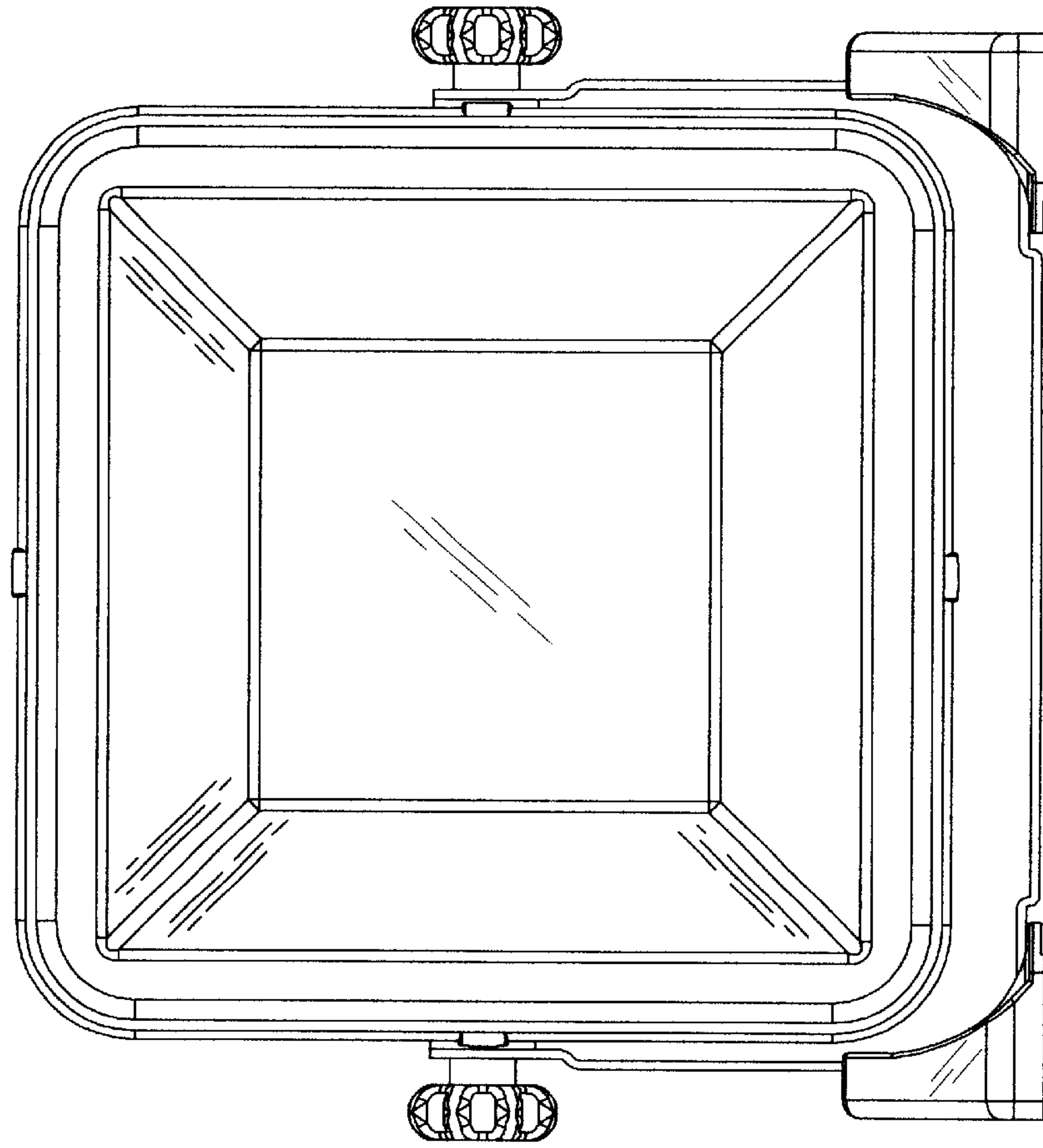


Figure 3

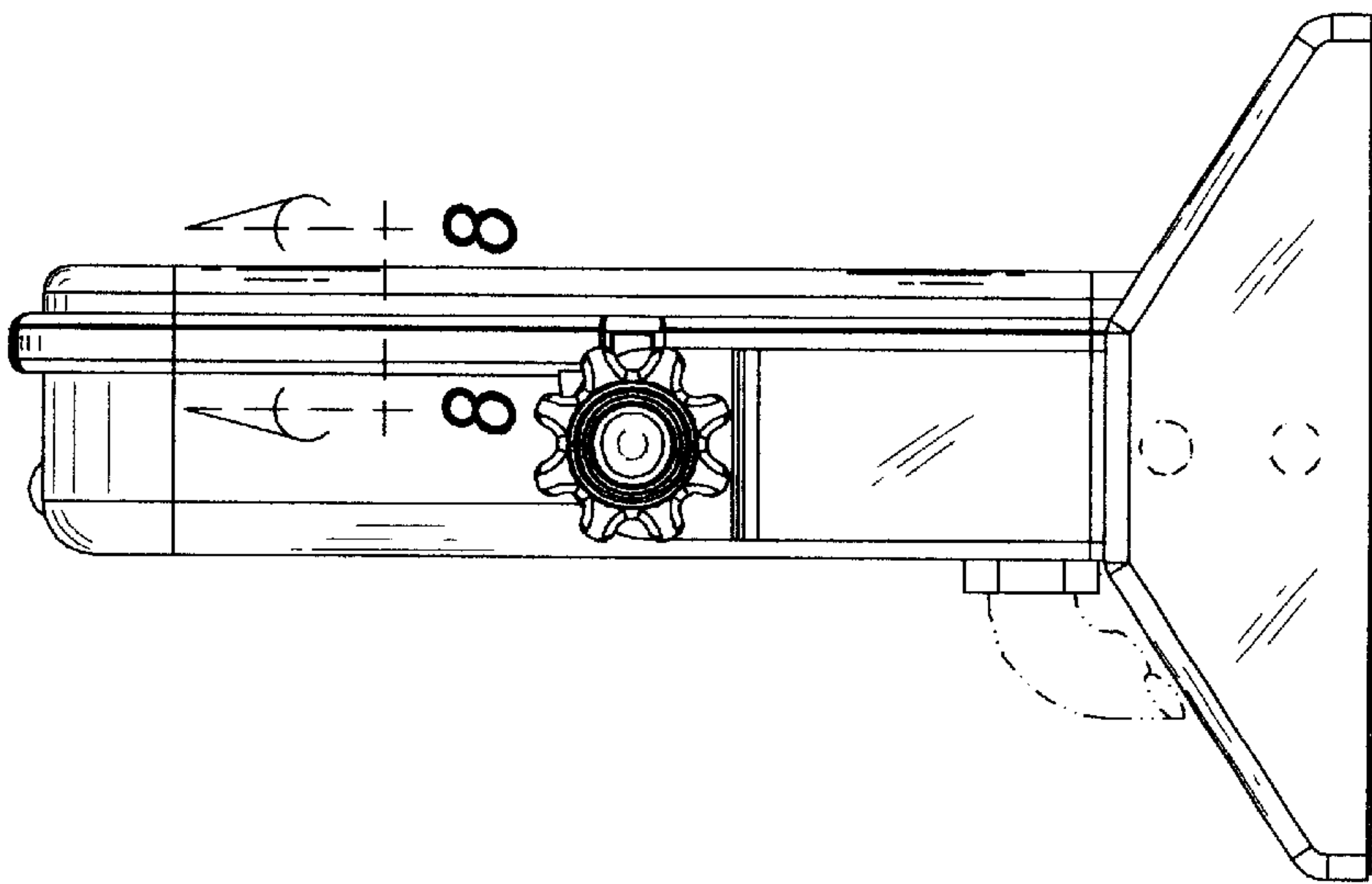


Figure 2



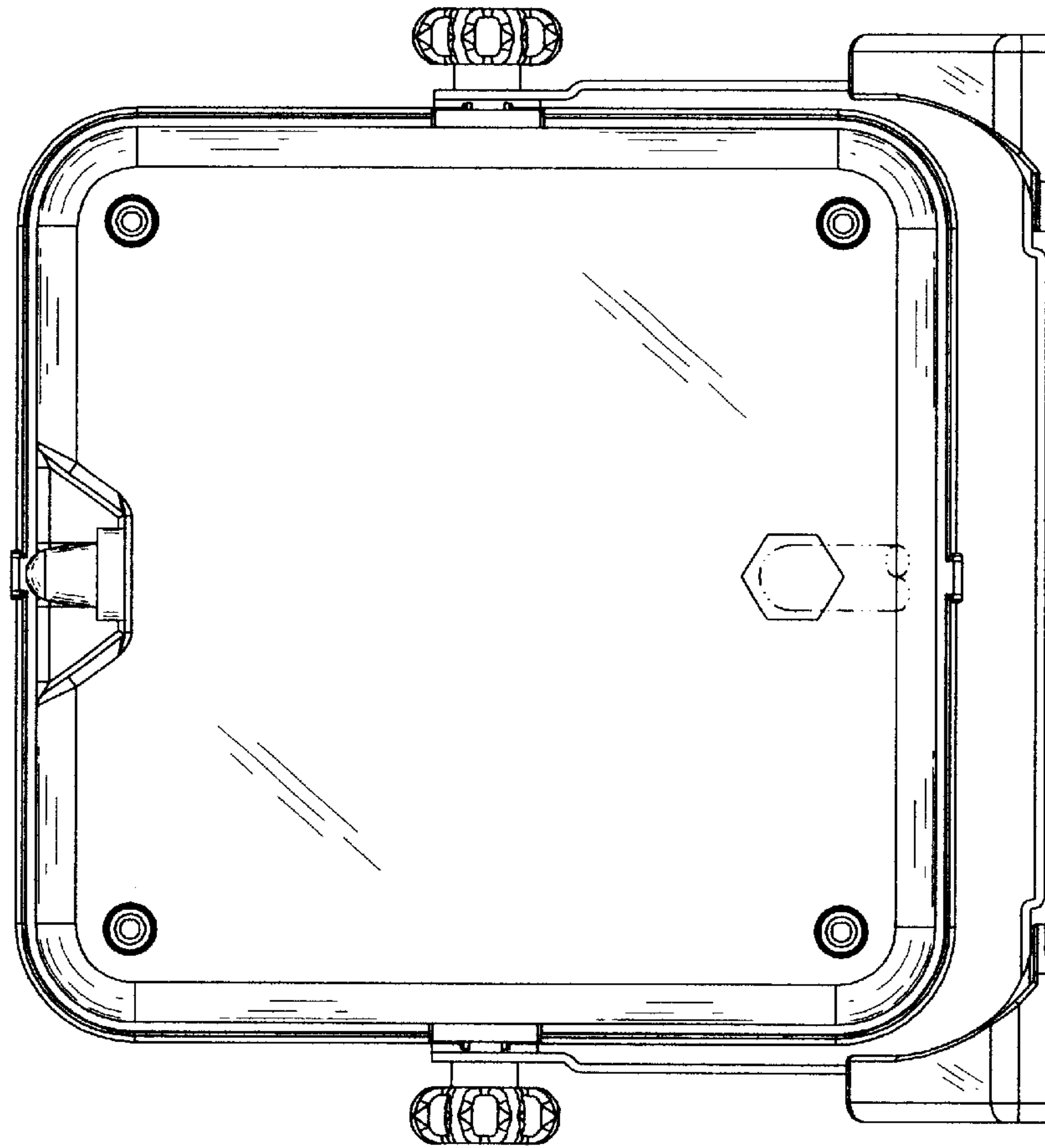


Figure 5

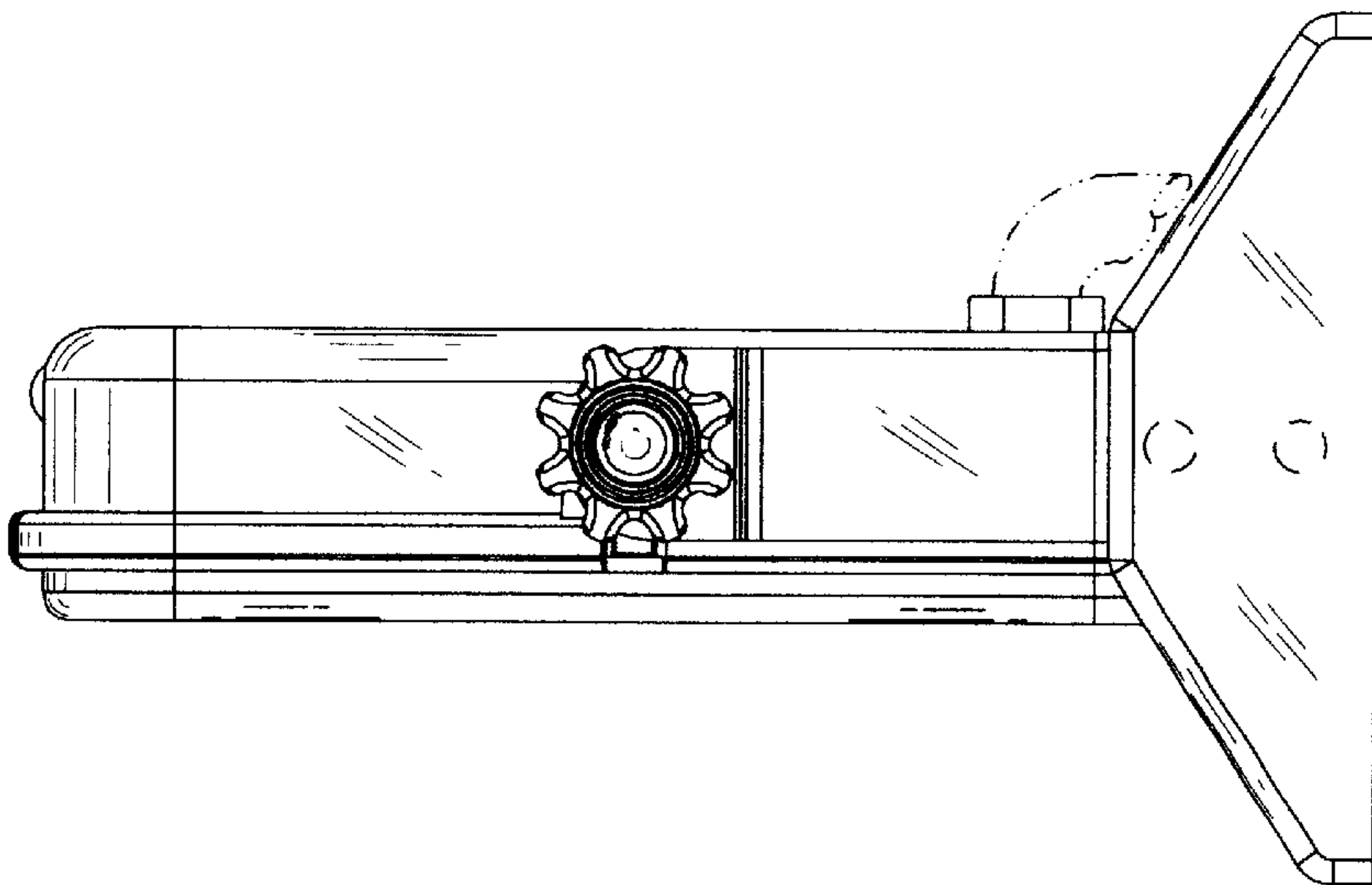
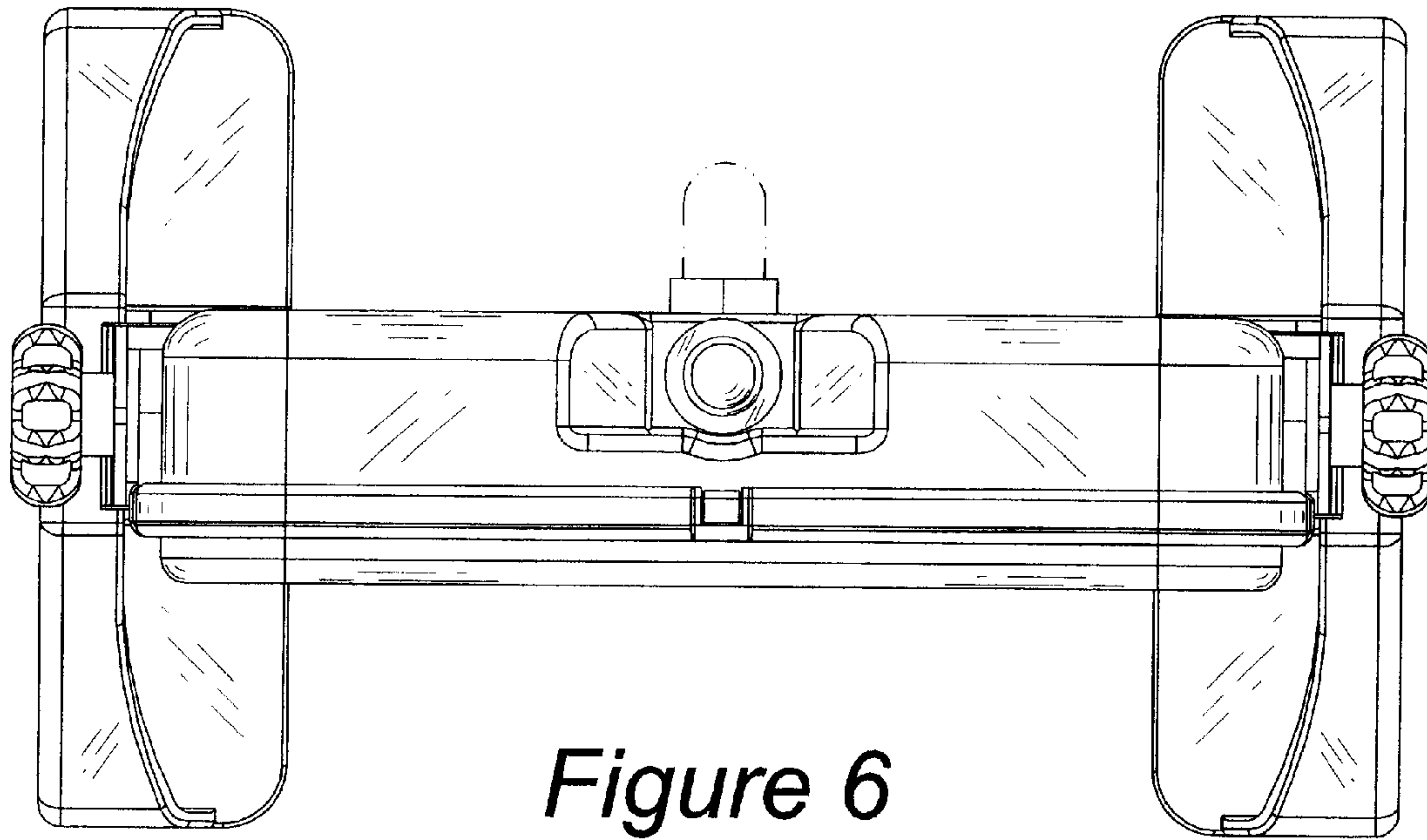
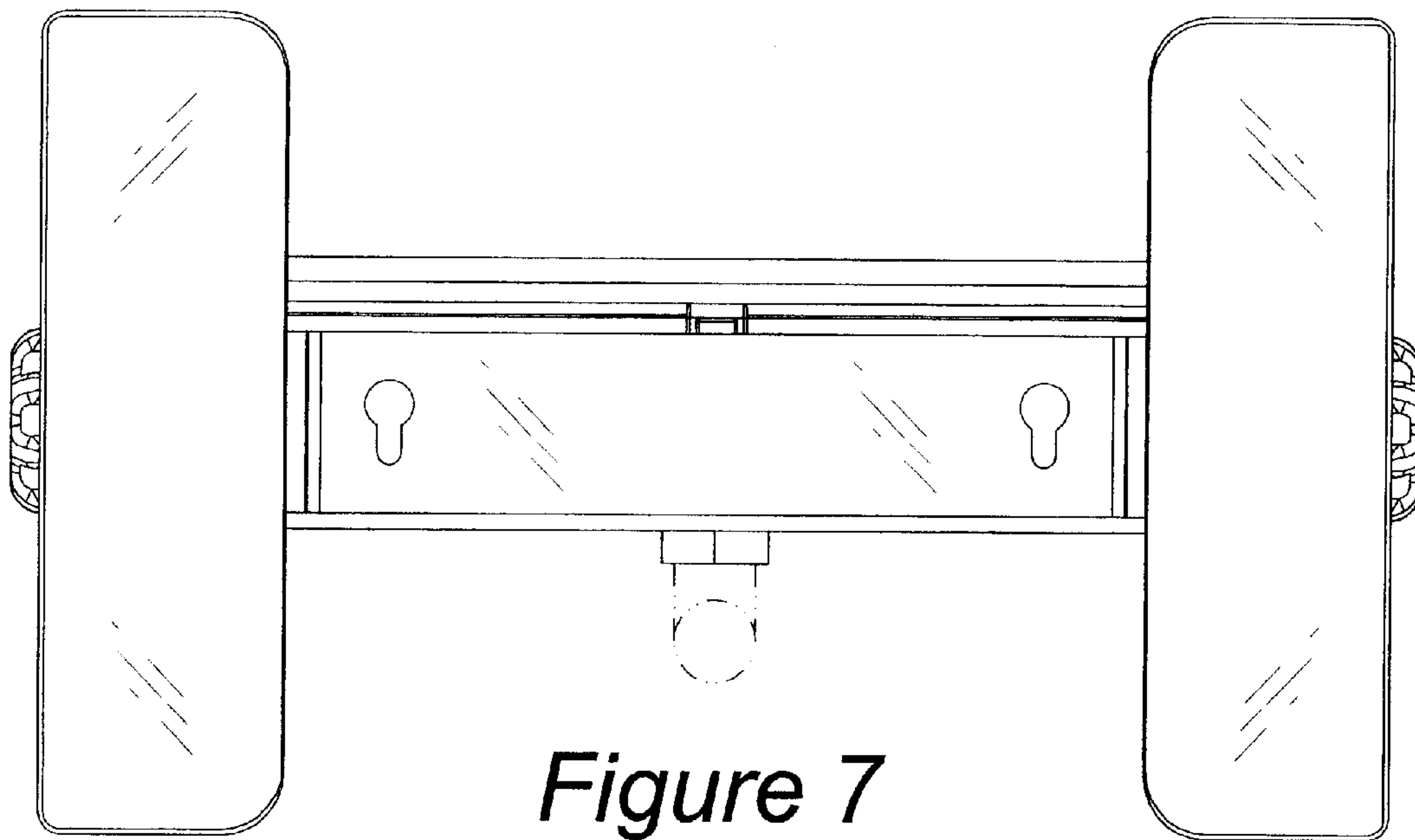


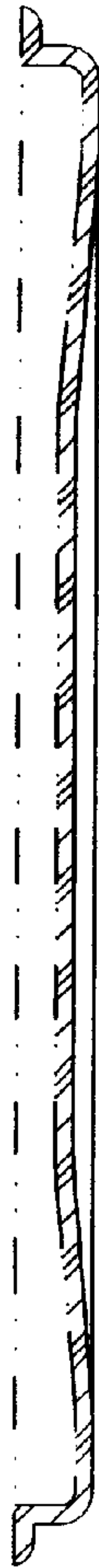
Figure 4



*Figure 6*



*Figure 7*



*Figure 8*