

US00D549852S

(12) **United States Design Patent** (10) **Patent No.:** **US D549,852 S**
Zocco (45) **Date of Patent:** **** *Aug. 28, 2007**

(54) **DOOR LIGHT**

(76) Inventor: **Philip Zocco**, 1 Park St., Georgetown, MA (US) 01833-2022

(*) Notice: This patent is subject to a terminal disclaimer.

(**) Term: **14 Years**

(21) Appl. No.: **29/193,499**

(22) Filed: **Nov. 10, 2003**

(51) **LOC (8) Cl.** **25-01**

(52) **U.S. Cl.** **D25/130**

(58) **Field of Classification Search** D25/48, D25/52, 103, 107-111, 113, 138; D26/73; 52/306; 404/22, 23; 428/44, 49
See application file for complete search history.

(56) **References Cited**

U.S. PATENT DOCUMENTS

1,504,970	A	8/1924	Pascucci	
2,158,089	A *	5/1939	Slick	52/306
2,874,653	A	2/1959	Ratner	
D185,976	S *	8/1959	Meyer	D26/122
3,914,118	A	10/1975	Brooke et al.	
3,918,226	A	11/1975	Naidus	
3,930,160	A	12/1975	Swinehart	
4,184,480	A	1/1980	Kenny	
4,186,723	A	2/1980	Coppola et al.	
4,823,246	A	4/1989	Dilouya	
5,003,745	A	4/1991	Fang	
5,123,211	A	6/1992	Schlicht et al.	
5,157,893	A	10/1992	Benson et al.	
5,323,576	A	6/1994	Gumpert et al.	
5,811,173	A	9/1998	Eichhorn et al.	
5,843,546	A	12/1998	Eichhorn	
6,002,464	A	12/1999	Fujisawa et al.	
6,250,027	B1	6/2001	Richards	
6,588,163	B2	7/2003	Wang et al.	
6,736,534	B1	5/2004	Fite	

OTHER PUBLICATIONS

American National Standard for Safety Glazing Materials Used in Buildings—Safety Performance Specifications and Methods of Test, 1989, ANSI Z97.1-1984 (R1994), American National Standards Institute, New York.

“Back to the Basics with Glass 101 A Refresher Course on Glass Types and Options Available”, Architect’s Guide to Glass & Metal, Summer 2002, pp. 10-12.

Code of Federal Regulations, § 1201.1, 16 C.F.R. CH. II, Jan. 1, 2003 Edition, pp. 194-209.

Crown (Bullseye) Bullion Glass, <http://www.heritage-glasslex.com/page4.html>, Jan. 30, 2004.

(Continued)

Primary Examiner—Louis S. Zarfes

Assistant Examiner—Mark Cavanna

(74) *Attorney, Agent, or Firm*—Wolf, Greenfield & Sacks, P.C.

(57) **CLAIM**

The ornamental design for a door light, as shown and described.

DESCRIPTION

FIG. 1 is a top, front, right side perspective view of a door light showing my new design.

FIG. 2 is a front elevational view of the embodiment of FIG. 1;

FIG. 3 is a back elevational view of the embodiment of FIG. 1;

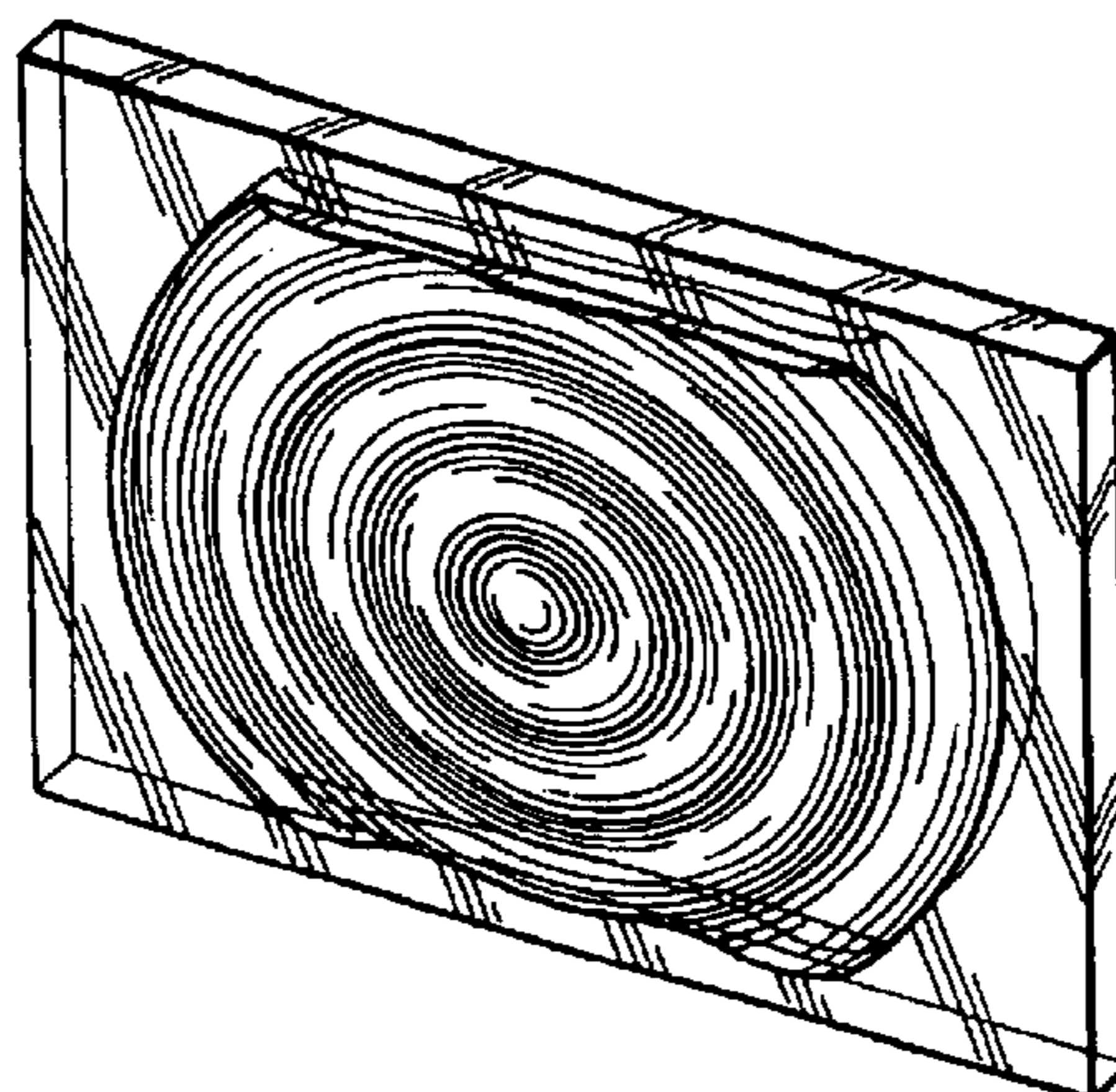
FIG. 4 is a left side elevational view of the embodiment of FIG. 1, the right side being a mirror image thereof;

FIG. 5 is a top plan view of the embodiment of FIG. 1, the bottom plan view being a mirror image thereof; and,

FIG. 6 is a top, front, right side perspective view of the door light of the embodiment of FIG. 1 in use with a frame.

The broken lines are for illustrative purposes only and form no part of the claimed design.

1 Claim, 2 Drawing Sheets



OTHER PUBLICATIONS

Pompei & Company, http://www.pompeiglass.com/Bullseye_glass.htm, Aug. 19, 2003.

Simpson Design Gallery II: Mastermark Doors Catalog, 2000.

Simpson Door Company, Door No.: 4230, <http://www.simpsondoor.com/>, Jan. 30, 2004.

Sugar Hollow Glass, "Hand Blown Period Bullseye Window Glass", Architectural Glassblowers,

<http://www.traditional-building.com/brochure/members/sugarhollow/shtml>, Aug. 19, 2003.

Sugar Hollow Glass, <http://www.sugarhollowglass.com/>, Aug. 19, 2003.

Therma Tru® Exterior Door Systems Catalog, 2002.

* cited by examiner

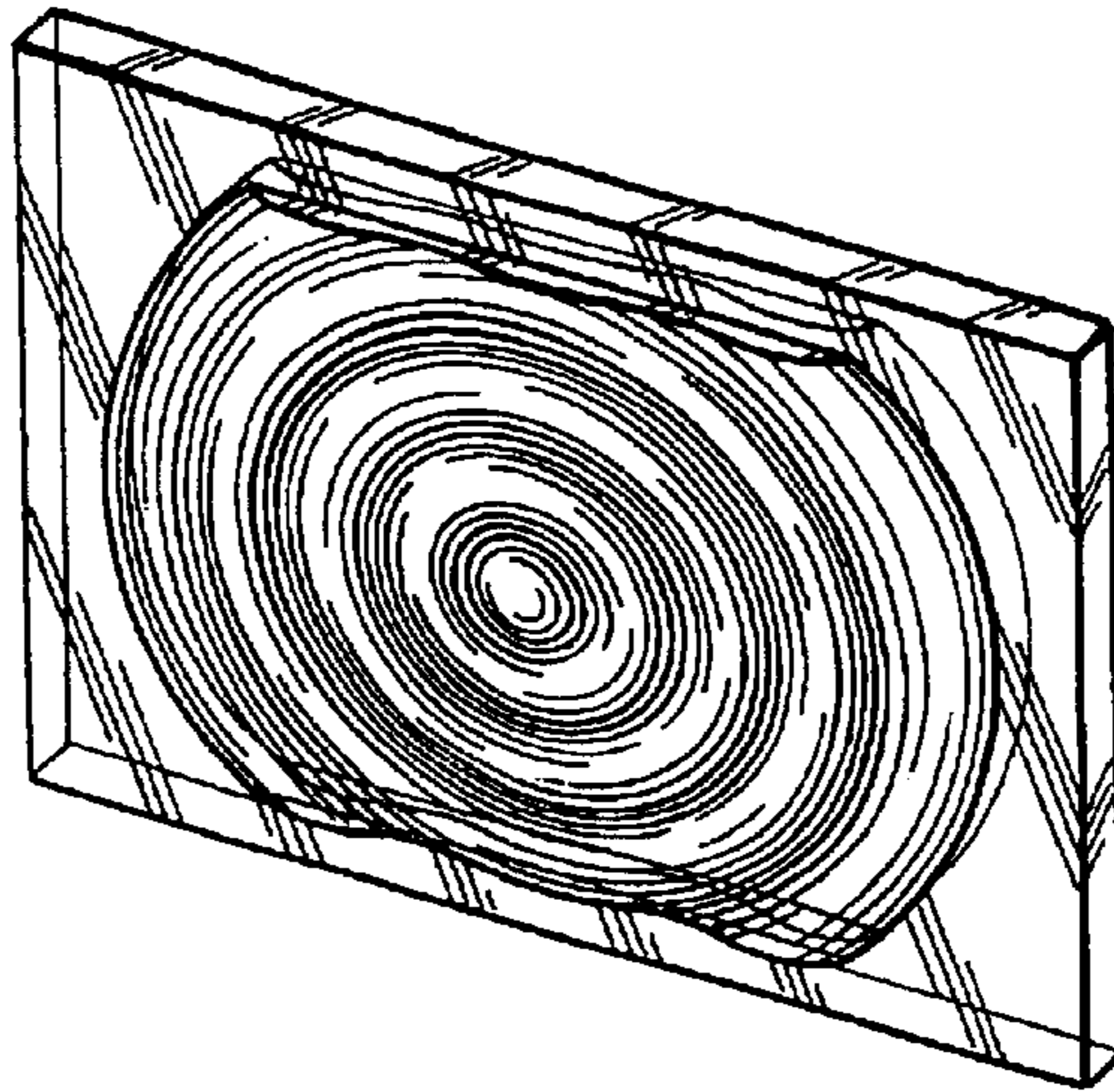


Fig. 1

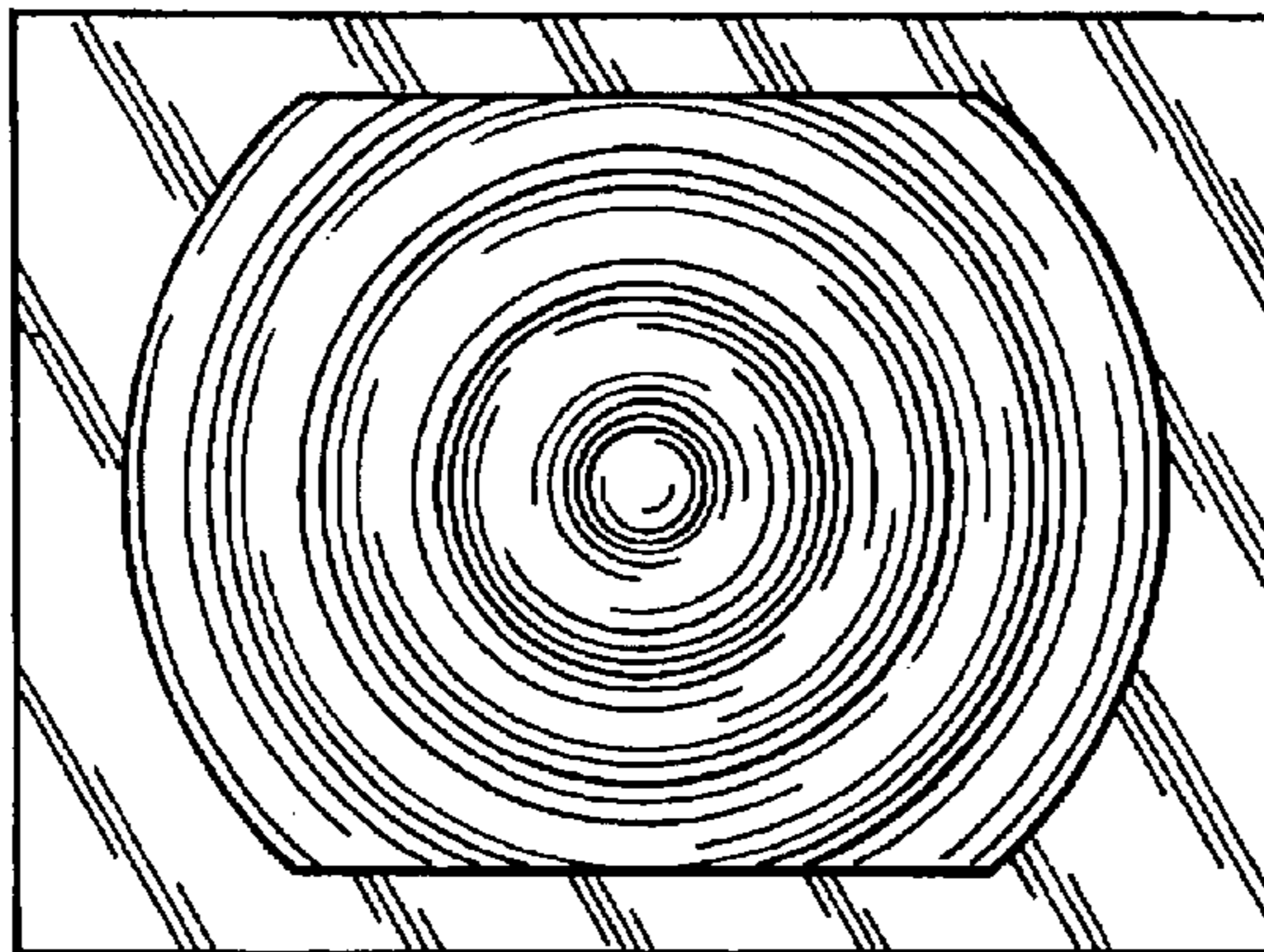


Fig. 2

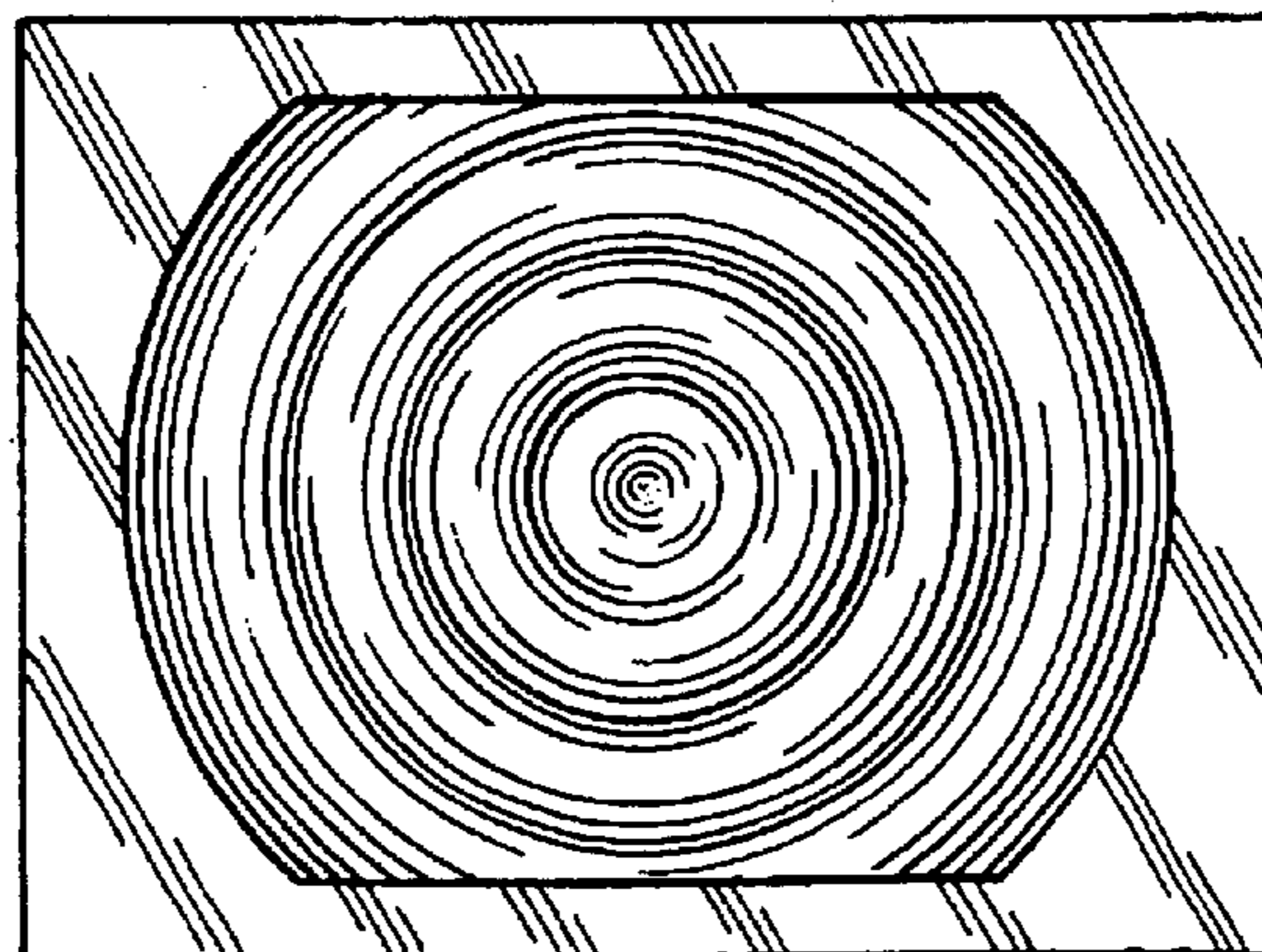


Fig. 3



Fig. 4



Fig. 5

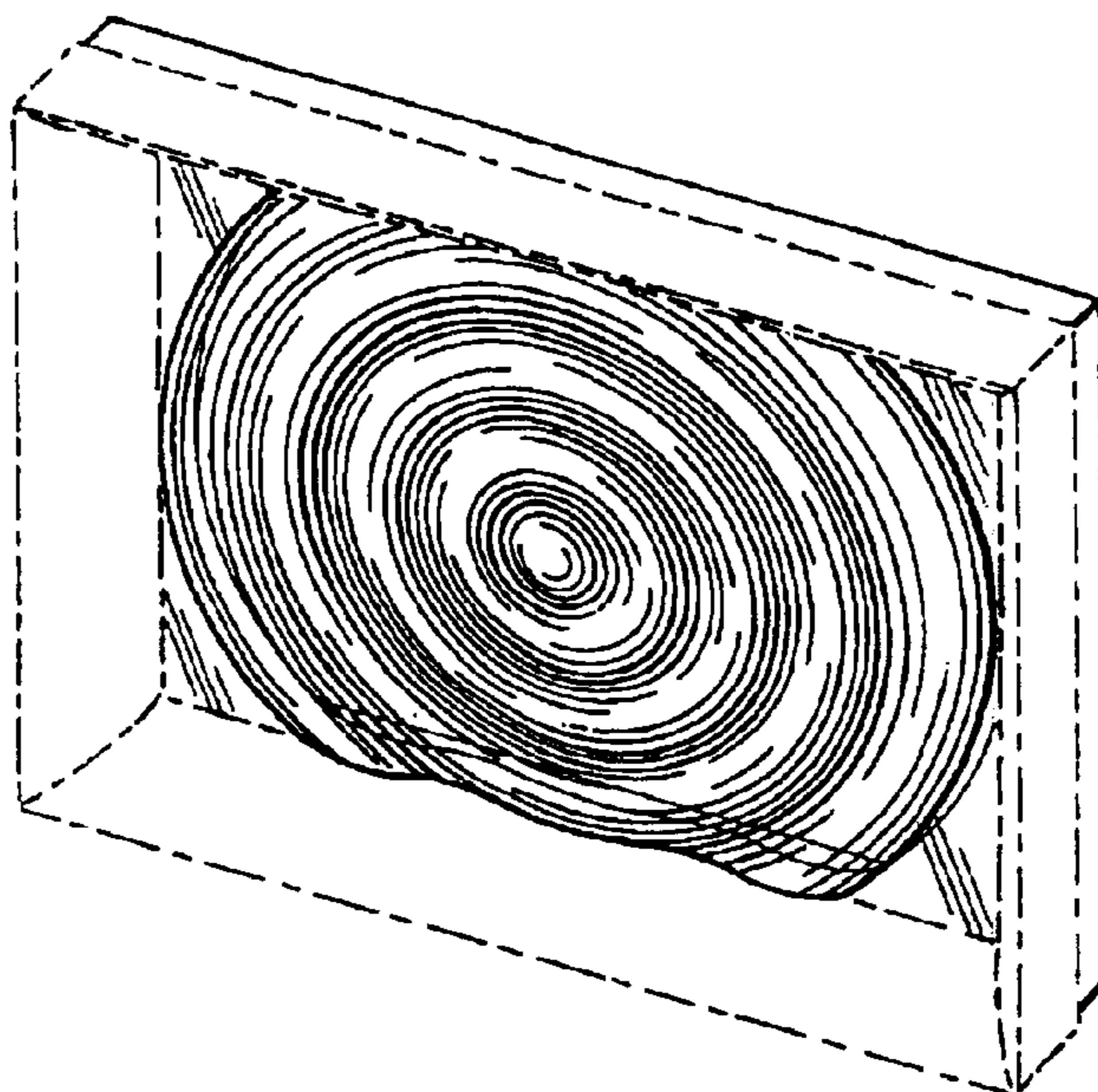


Fig. 6