



US00D549850S

(12) **United States Design Patent**
Perlman

(10) **Patent No.:** **US D549,850 S**

(45) **Date of Patent:** **** Aug. 28, 2007**

(54) **DOOR THRESHOLD**

D447,574 S * 9/2001 Fening D25/119

(76) Inventor: **Richard Perlman**, 6345 Nancy Ridge
Dr., San Diego, CA (US) 92121

* cited by examiner

Primary Examiner—Doris Clark

(74) *Attorney, Agent, or Firm*—Dalina Law Group, P.C.

(**) Term: **14 Years**

(21) Appl. No.: **29/256,604**

(57) **CLAIM**

(22) Filed: **Mar. 21, 2006**

The ornamental design for a door threshold, as shown and described.

(51) **LOC (8) Cl.** **25-01**

(52) **U.S. Cl.** **D25/119**

(58) **Field of Classification Search** D25/48,
D25/164, 119; 49/411, 467, 468, 469, 470,
49/471

DESCRIPTION

See application file for complete search history.

FIG. 1 is an isometric view of a door threshold design of the invention.

FIG. 2 is a top view of a door threshold design of the invention.

FIG. 3 is a side view of a door threshold design of the invention; and,

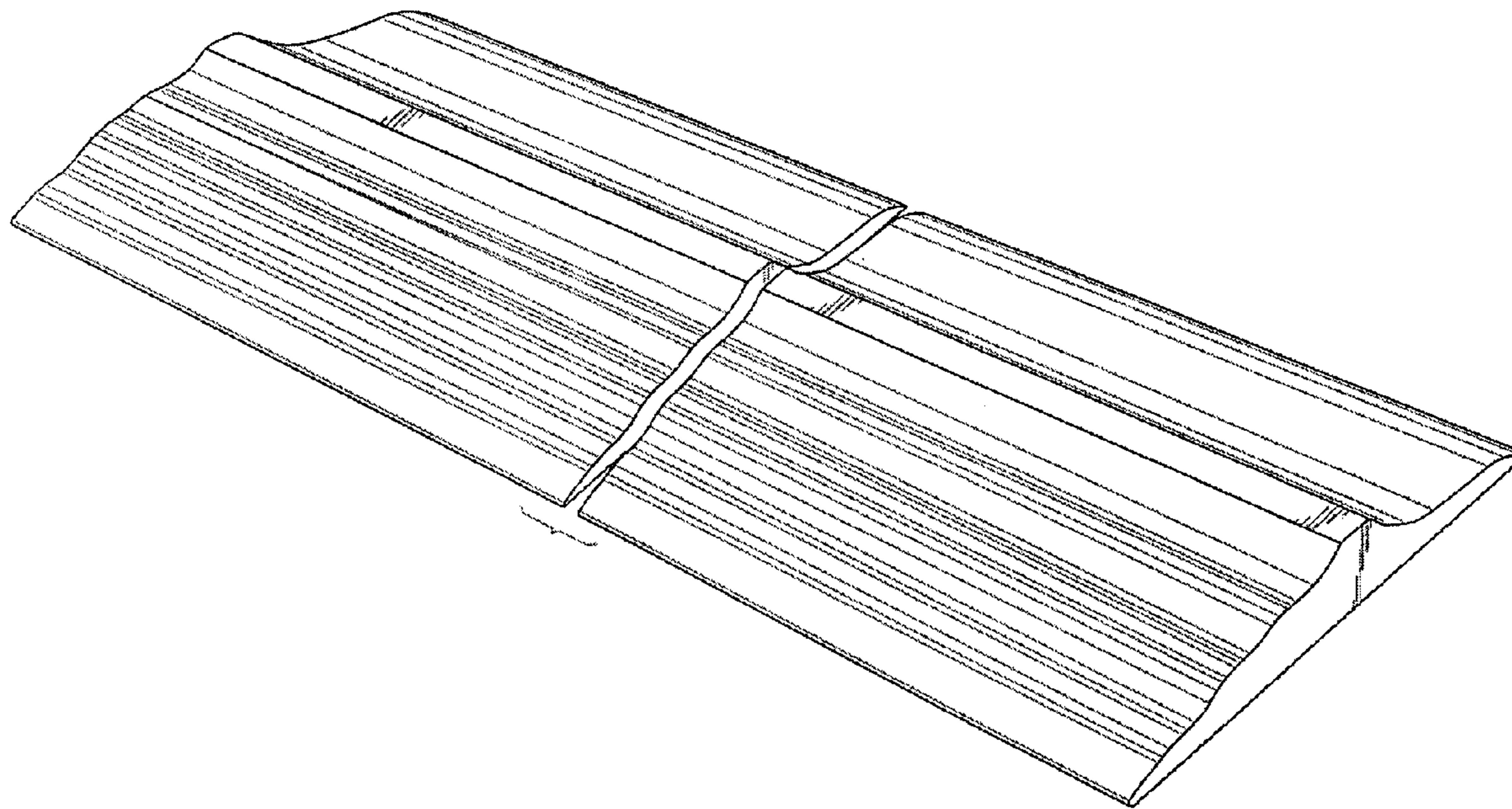
FIG. 4 is a bottom view of a door threshold design of the invention.

(56) **References Cited**

U.S. PATENT DOCUMENTS

4,104,830 A * 8/1978 Eagle 49/468
5,012,614 A * 5/1991 Shea 49/468
D340,534 S 10/1993 McConnell et al.

1 Claim, 3 Drawing Sheets



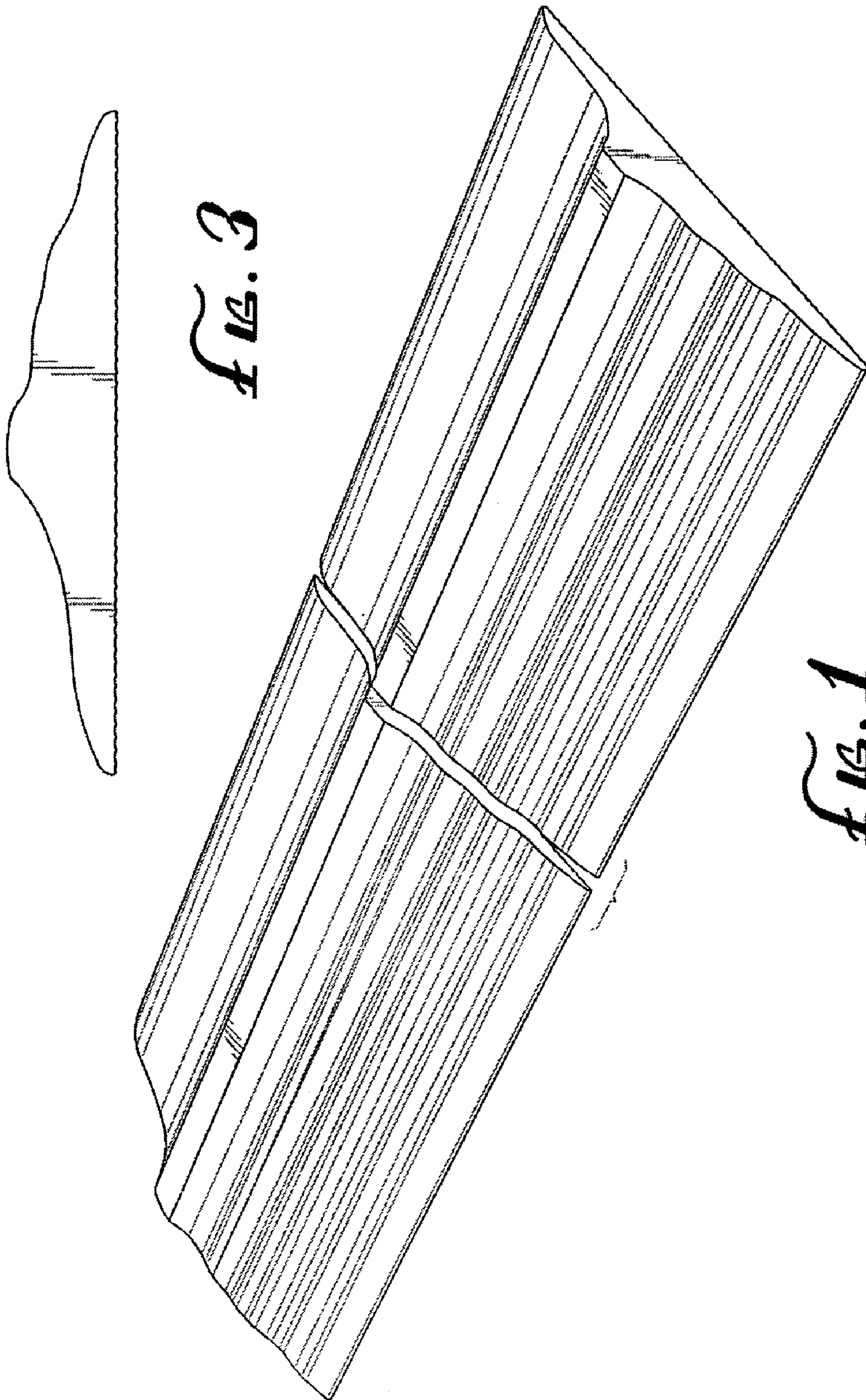


FIG. 3

FIG. 1

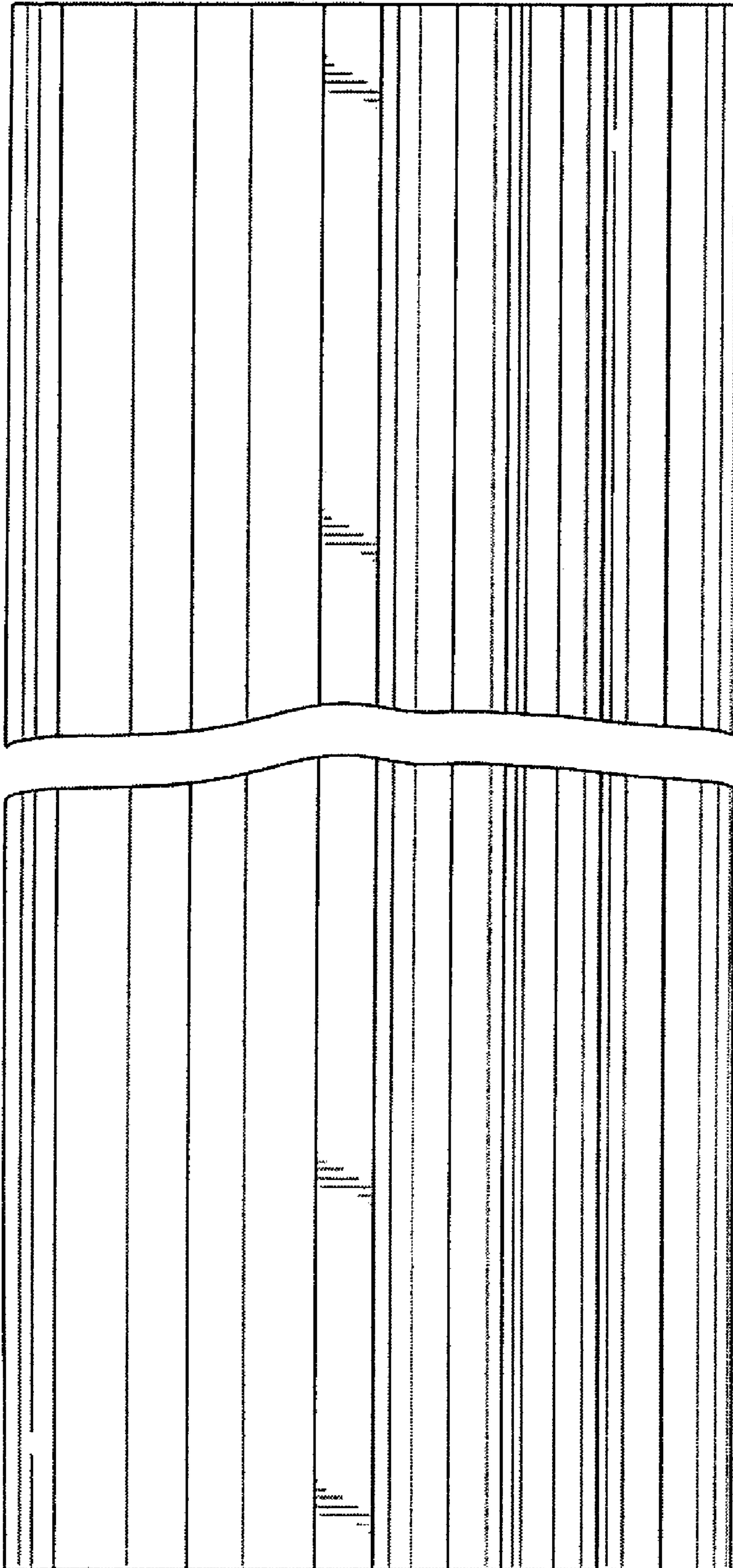


Fig. 2



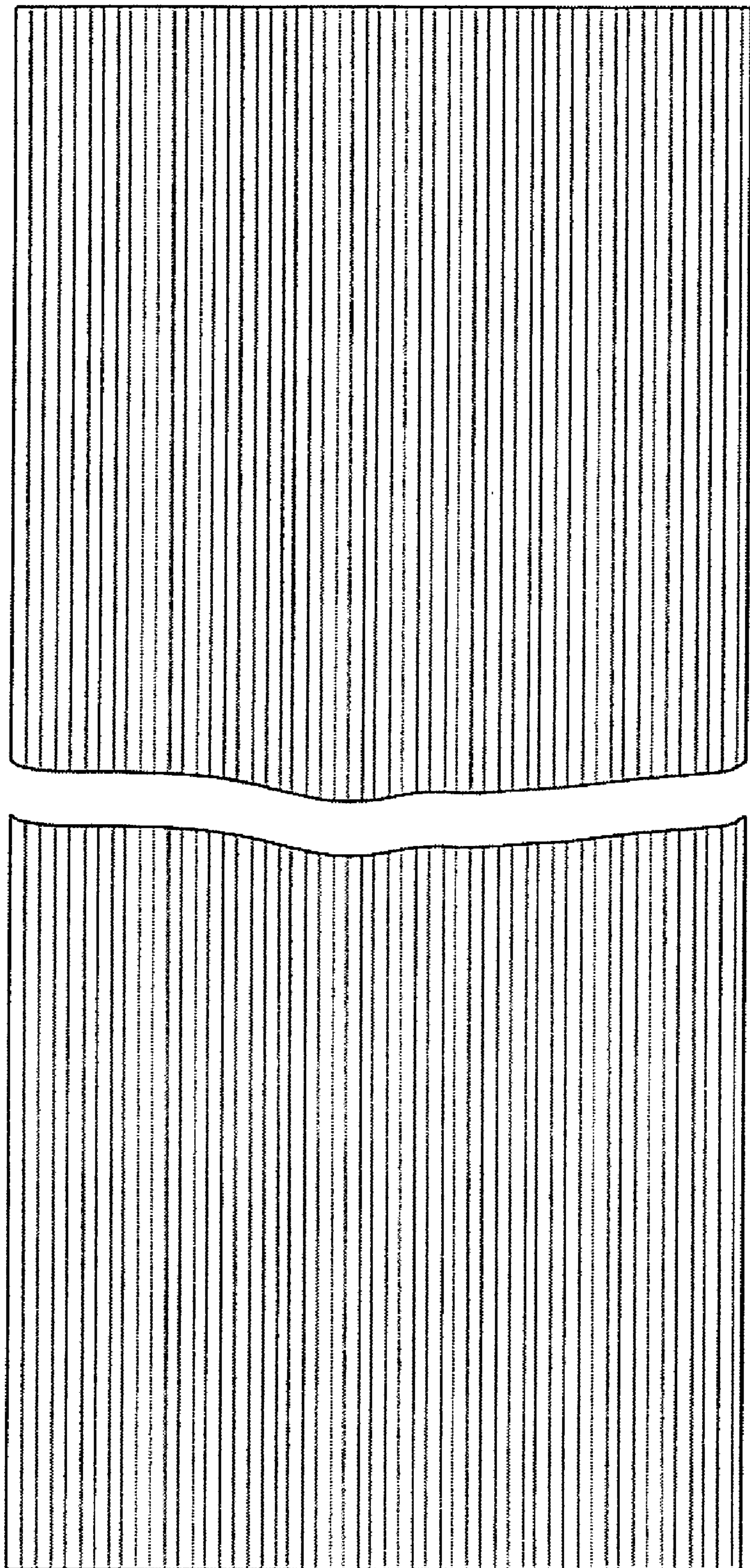


FIG. 4