

US00D549849S

(12) **United States Design Patent**
Koeda et al.

(10) **Patent No.:** **US D549,849 S**

(45) **Date of Patent:** **** Aug. 28, 2007**

(54) **PROTECTOR FOR NIPPING SENSOR IN
AUTOMATIC OPENING AND CLOSING
DEVICES**

(75) Inventors: **Hironori Koeda**, Gifu (JP); **Masayoshi
Takeuchi**, Kariya (JP); **Masaru
Hoshina**, Toyota (JP)

(73) Assignee: **Aisin Seiki Kabushiki Kaisha**,
Kariya-Shi, Aichi-Ken (JP)

(**) Term: **14 Years**

(21) Appl. No.: **29/237,581**

(22) Filed: **Sep. 2, 2005**

(30) **Foreign Application Priority Data**

Mar. 30, 2005 (JP) 2005-009483

(51) **LOC (8) Cl.** **25-01**

(52) **U.S. Cl.** **D25/119**

(58) **Field of Classification Search** D8/330-348;
D25/49, 119; 49/493.1, 197, 496.1, 495.1,
49/499.1; 160/209, 40, 229.1, 231.1, 231.2,
160/107

See application file for complete search history.

(56) **References Cited**

U.S. PATENT DOCUMENTS

D220,757 S * 5/1971 Smith D25/119
D395,994 S * 7/1998 Hall, Jr. D8/343

D412,753 S * 8/1999 Colson et al. D25/49
6,655,440 B2 * 12/2003 Brunk 160/40
2003/0111187 A1 * 6/2003 Brunk 160/40
2005/0223647 A1 * 10/2005 Stutzman et al. 49/499.1

* cited by examiner

Primary Examiner—Mitchell Siegel

(74) *Attorney, Agent, or Firm*—Buchanan Ingersoll &
Rooney PC

(57) **CLAIM**

The ornamental design for a protector for nipping sensor in
automatic opening and closing devices, as shown and
described.

DESCRIPTION

FIG. 1 is a perspective view of top, front and right side of
a protector for nipping sensor in automatic opening and
closing devices showing our new design;

FIG. 2 is a front view thereof, the rear view being identical
thereto;

FIG. 3 is a top plan view thereof;

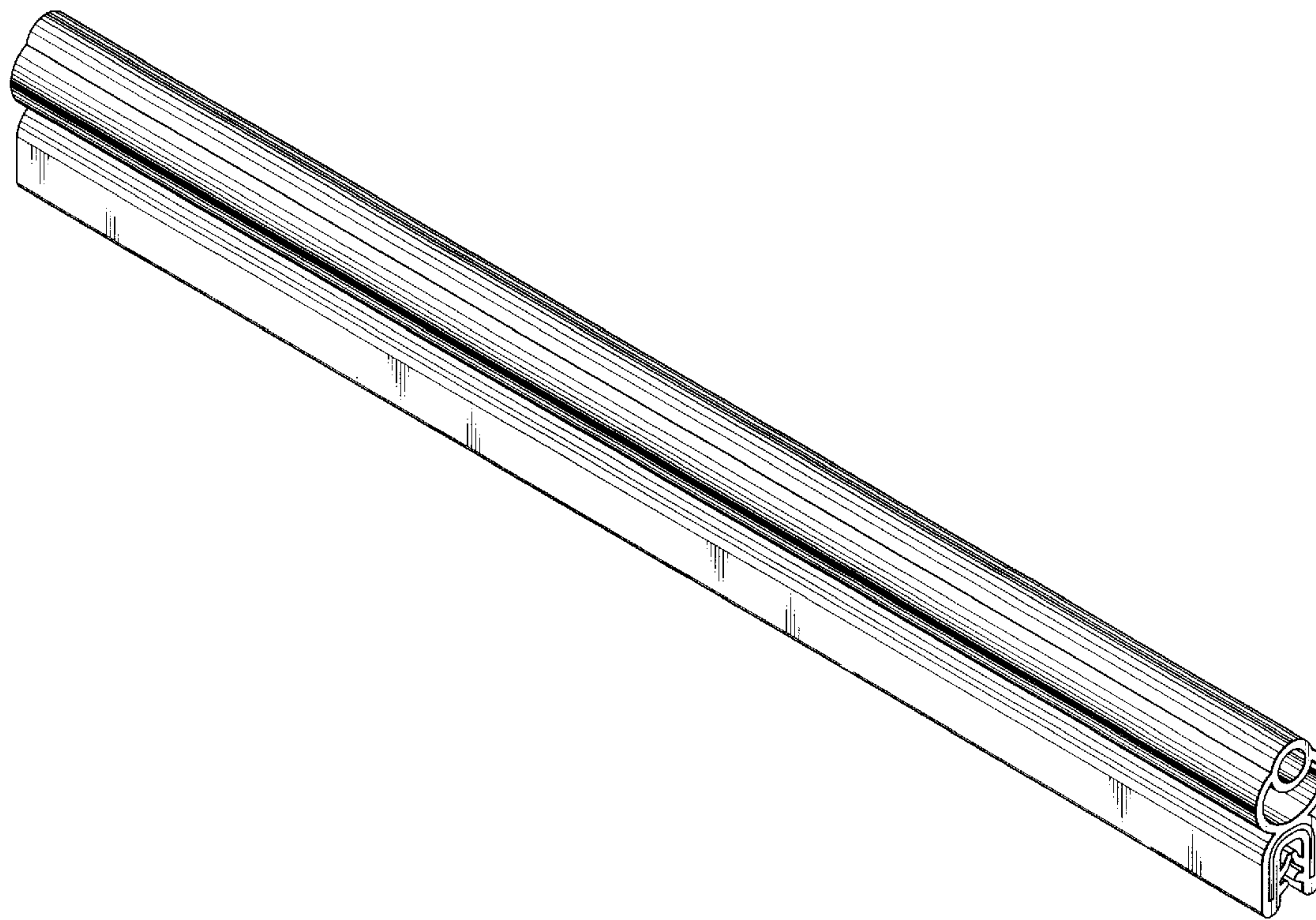
FIG. 4 is a bottom view thereof;

FIG. 5 is a right side view thereof, the left side view being
identical thereto;

FIG. 6 is an enlarged cross sectional view taken on line 6—6
of FIG. 2; and,

FIG. 7 is an enlarged right side view of FIG. 1.

1 Claim, 3 Drawing Sheets



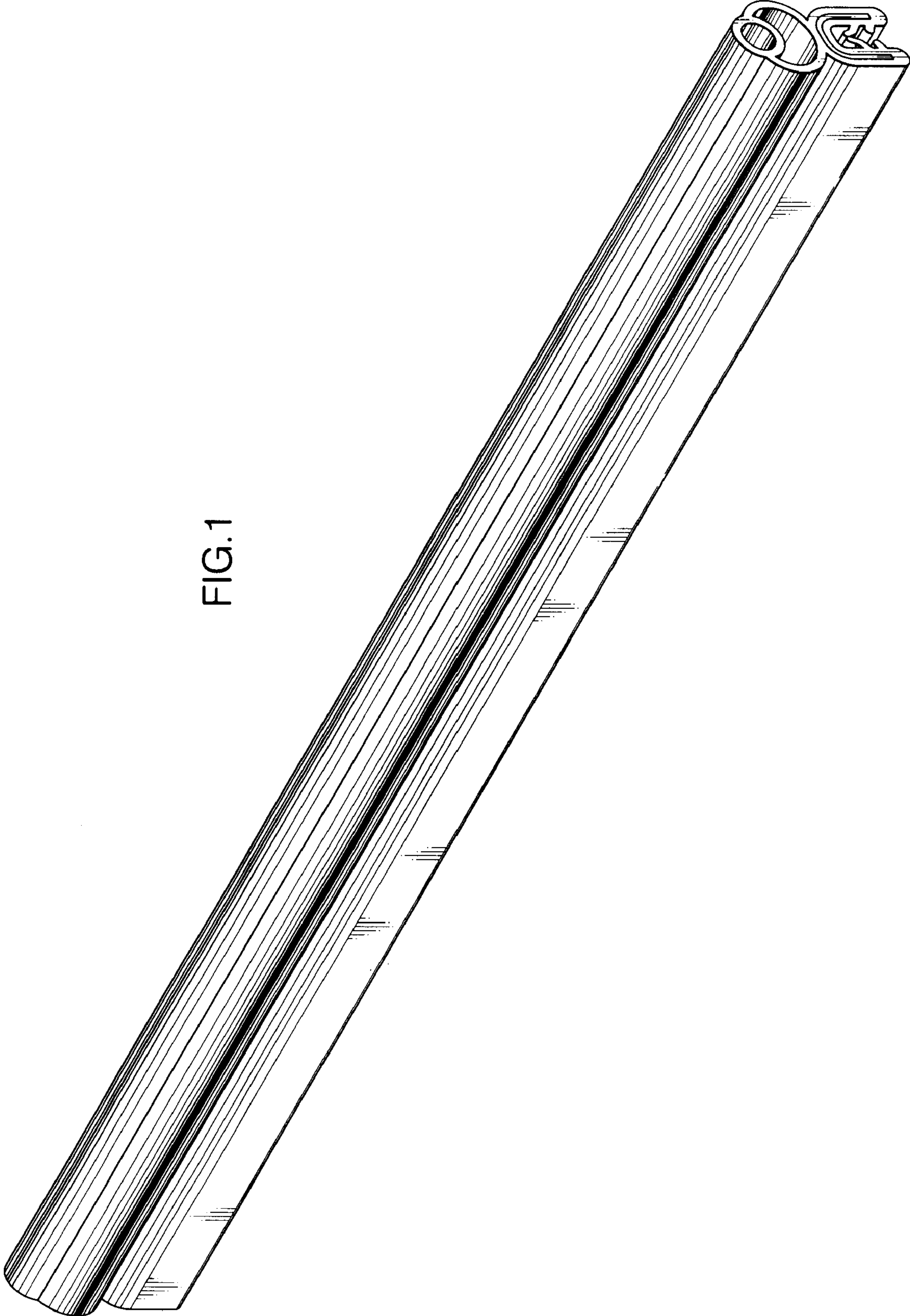


FIG.1

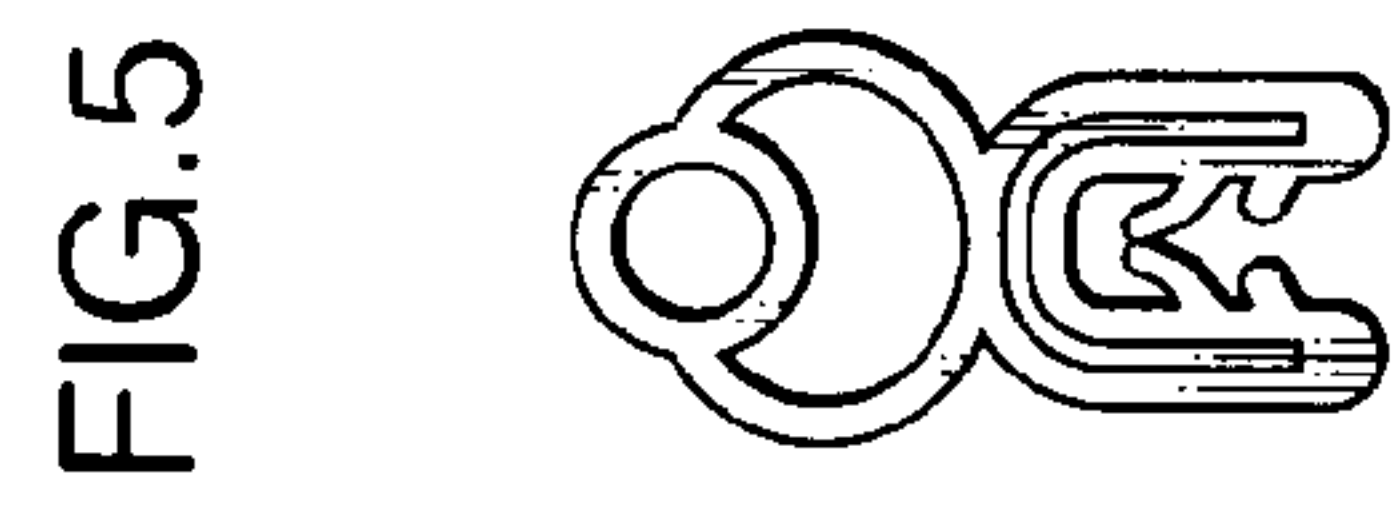
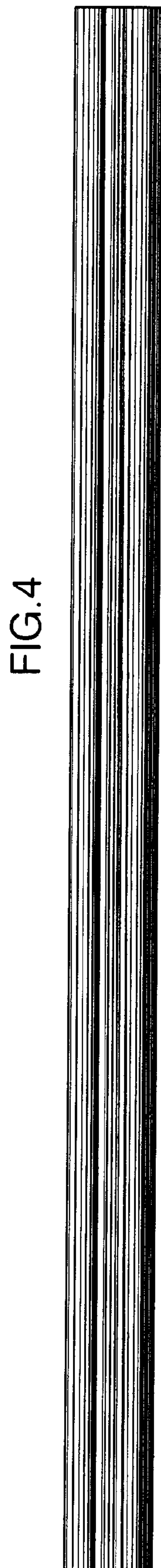
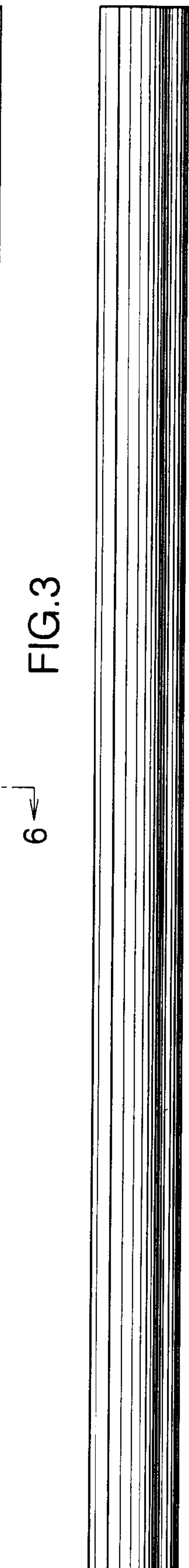
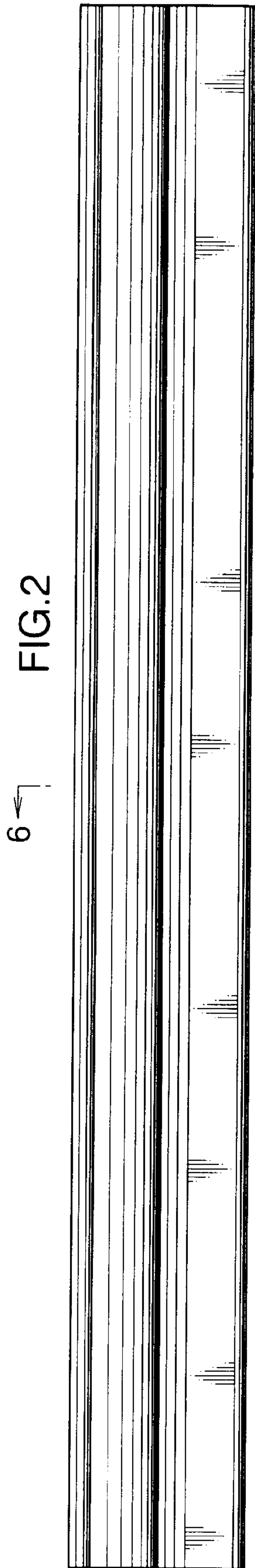


FIG.6

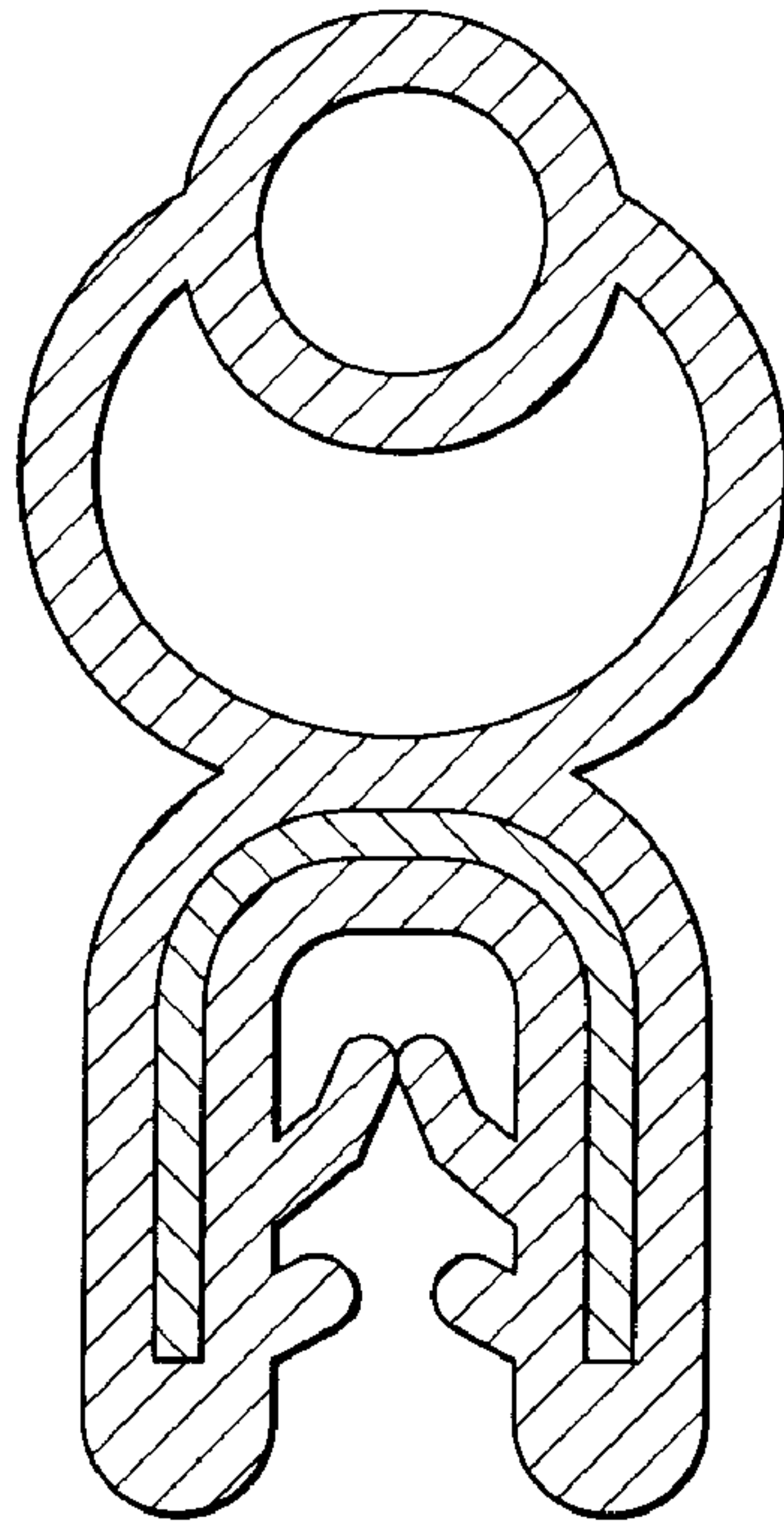


FIG.7

