



US00D549845S

(12) **United States Design Patent**
Beard, Jr.

(10) **Patent No.:** **US D549,845 S**

(45) **Date of Patent:** **** Aug. 28, 2007**

(54) **SILL SCREED**

(76) Inventor: **Harold W Beard, Jr.**, 7525 E.
Highland, Cave Creek, AZ (US) 85331

(**) Term: **14 Years**

(21) Appl. No.: **29/276,374**

(22) Filed: **Jan. 24, 2007**

(51) **LOC (8) Cl.** **25-01**

(52) **U.S. Cl.** **D25/102**

(58) **Field of Classification Search** D25/164,
D25/199, 102; 52/58, 59, 60, 61, 62, 64,
52/287.1, 169.14, 273, 275, 277, 255, 302.6,
52/408, 412, 716.2

See application file for complete search history.

(56) **References Cited**

U.S. PATENT DOCUMENTS

- 1,753,596 A * 4/1930 Bowman 52/255
- 5,630,297 A * 5/1997 Rutherford 52/58
- D443,073 S * 5/2001 Wilson D25/102
- 6,305,130 B1 * 10/2001 Ackerman, Jr. 52/58

- 6,527,278 B1 * 3/2003 Norris 277/630
- D486,920 S * 2/2004 Hein et al. D25/102
- 2001/0034984 A1 * 11/2001 Murphy et al. 52/204.5

* cited by examiner

Primary Examiner—Doris Clark

(74) *Attorney, Agent, or Firm*—Snell & Wilmer L.L.P.

(57) **CLAIM**

The ornamental design for a sill screed, as shown.

DESCRIPTION

FIG. 1 is a perspective view of the sill screed showing my new design;

FIG. 2 is a front elevational view thereof;

FIG. 3 is a back elevational view thereof;

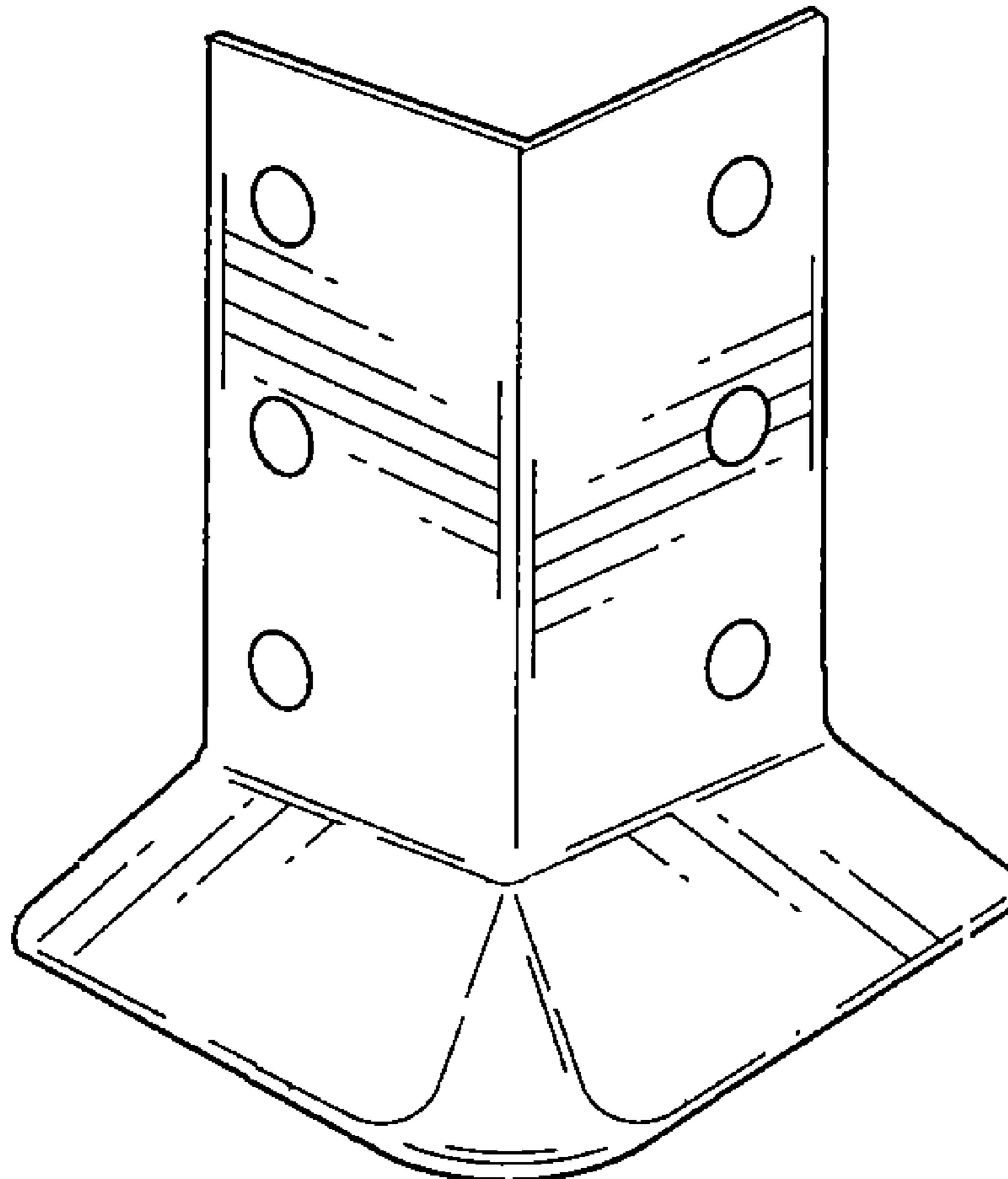
FIG. 4 is a side elevational view thereof;

FIG. 5 is the opposite side elevational view thereof;

FIG. 6 is a top view thereof; and,

FIG. 7 is a bottom view thereof.

1 Claim, 2 Drawing Sheets



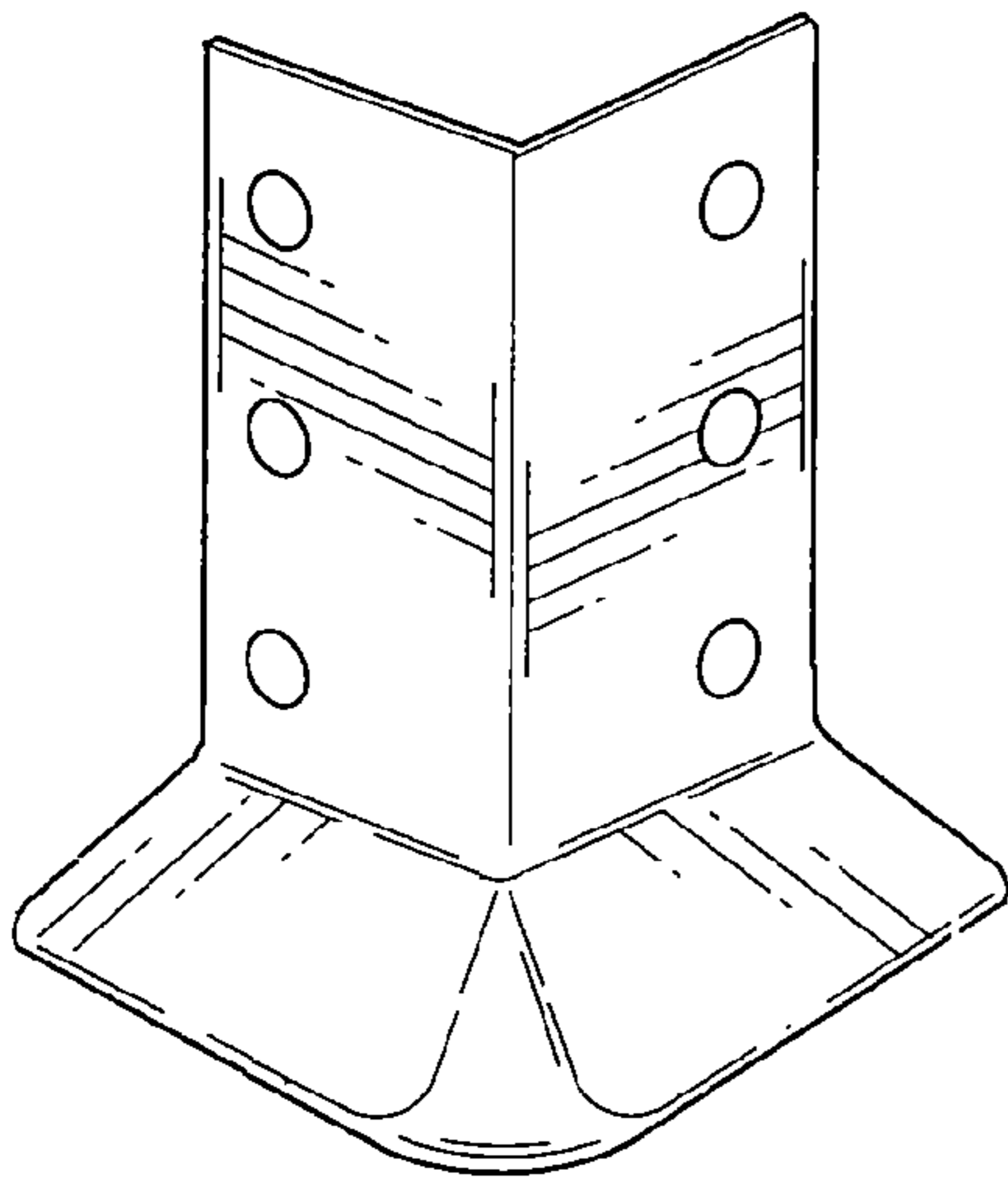


FIG. 1

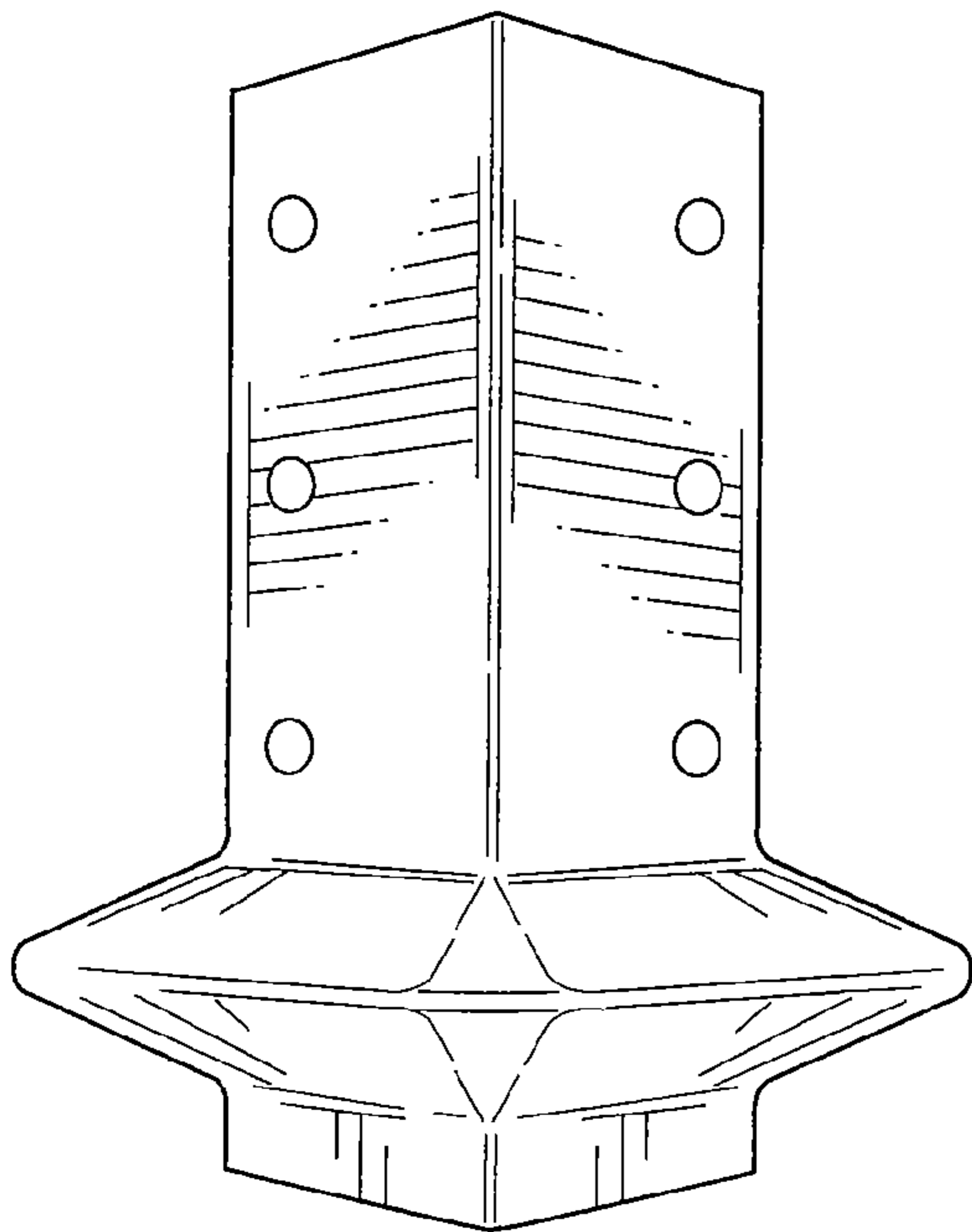


FIG. 2

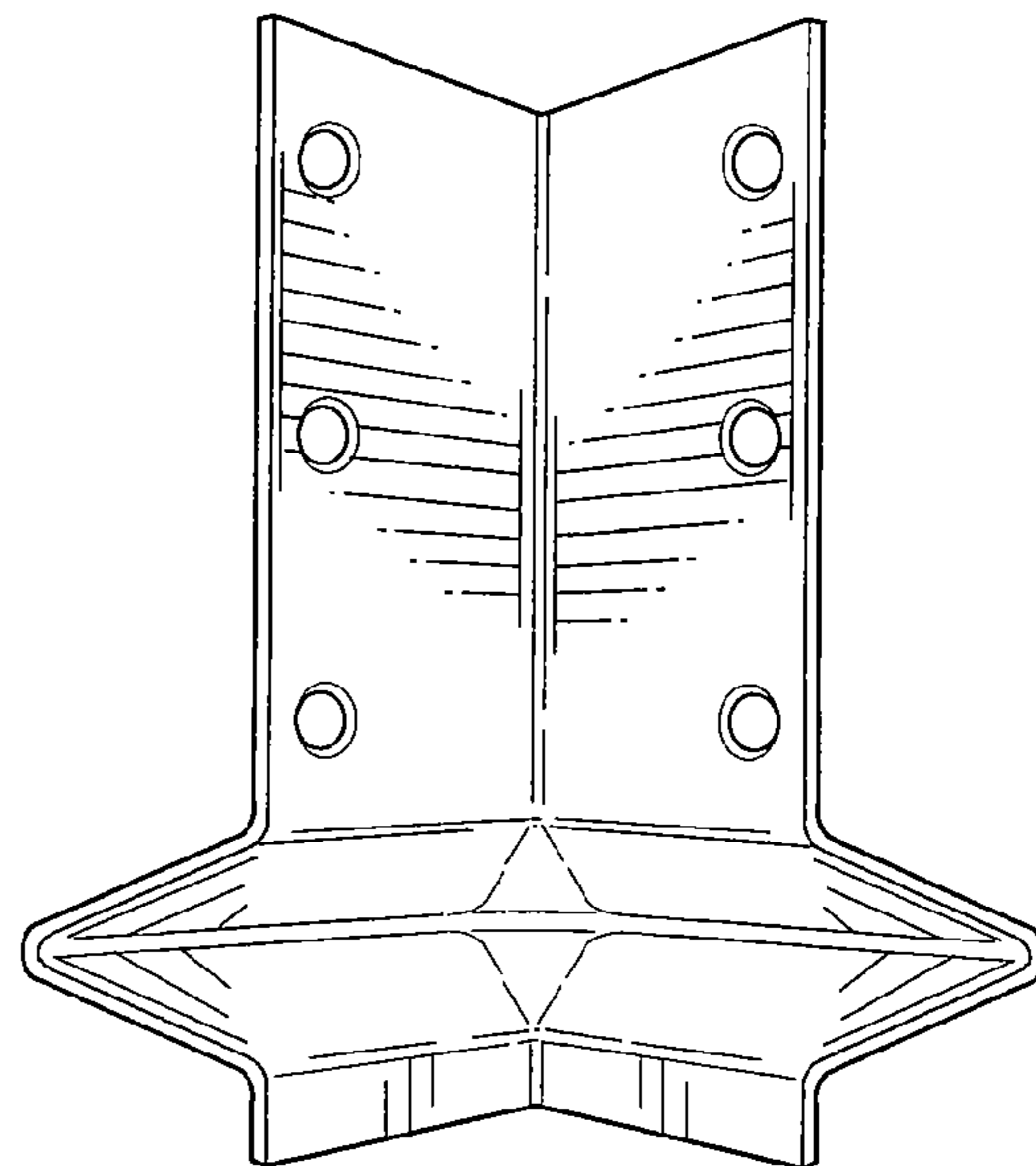


FIG. 3

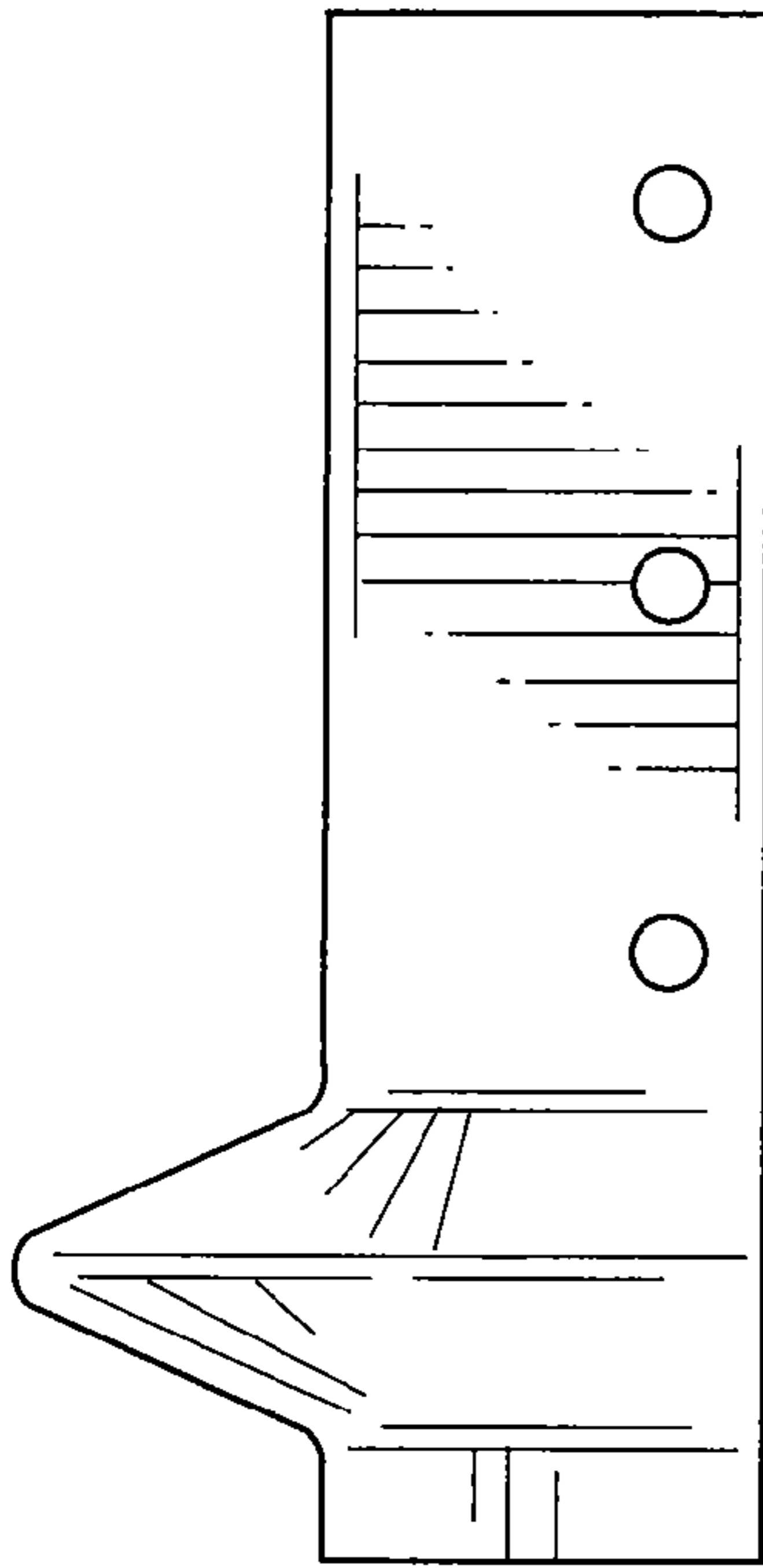


FIG. 4

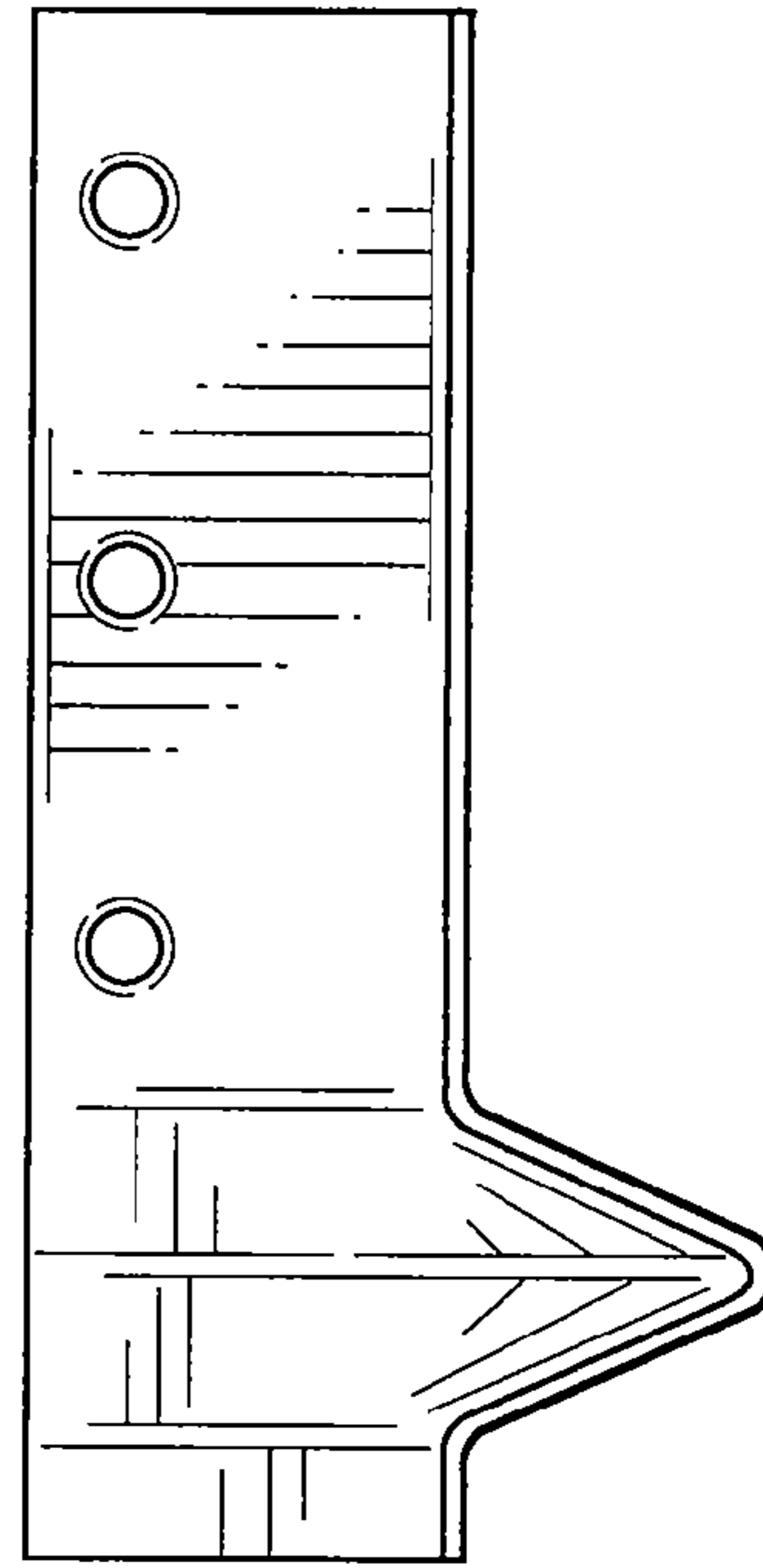


FIG. 5

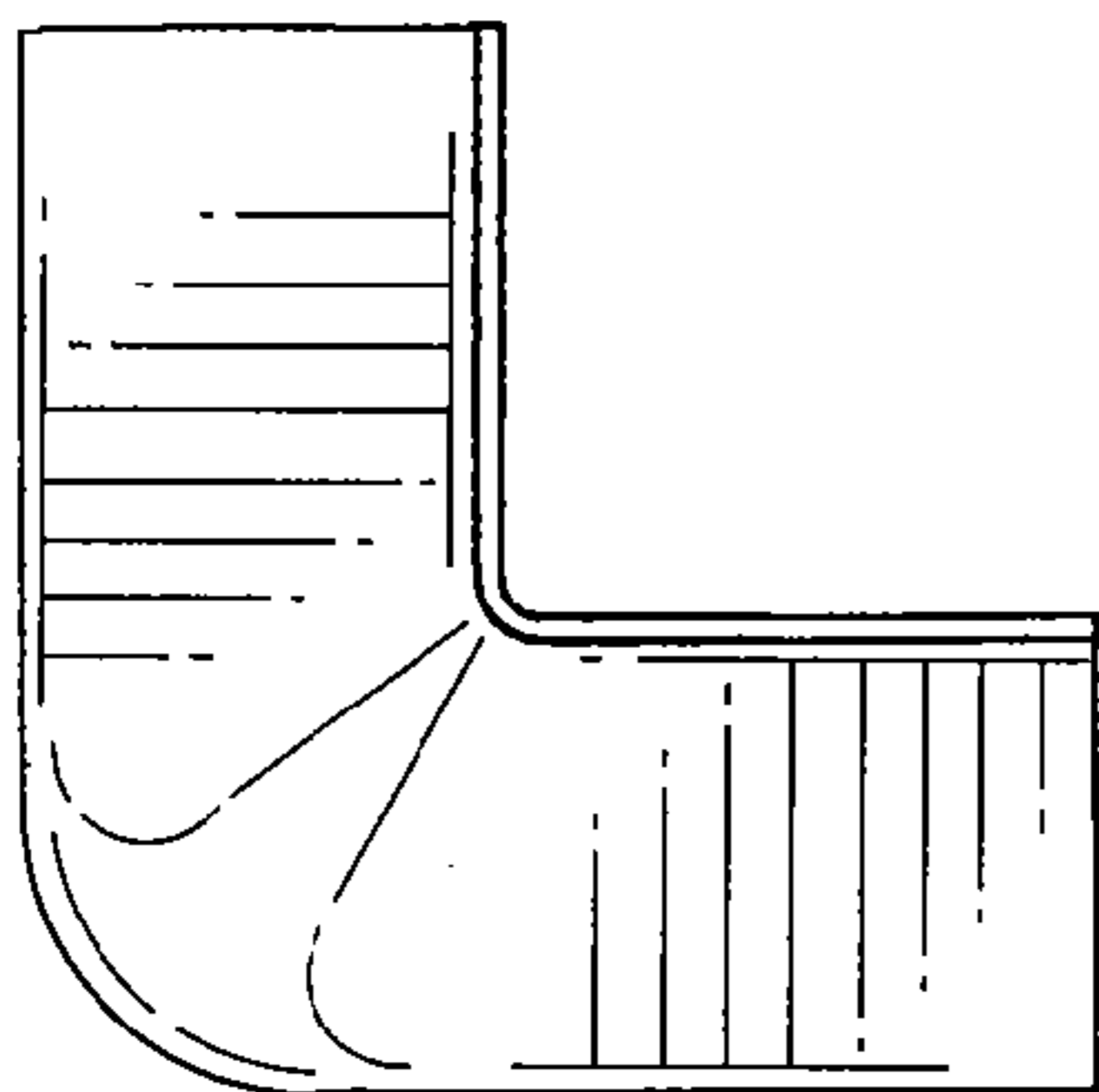


FIG. 6

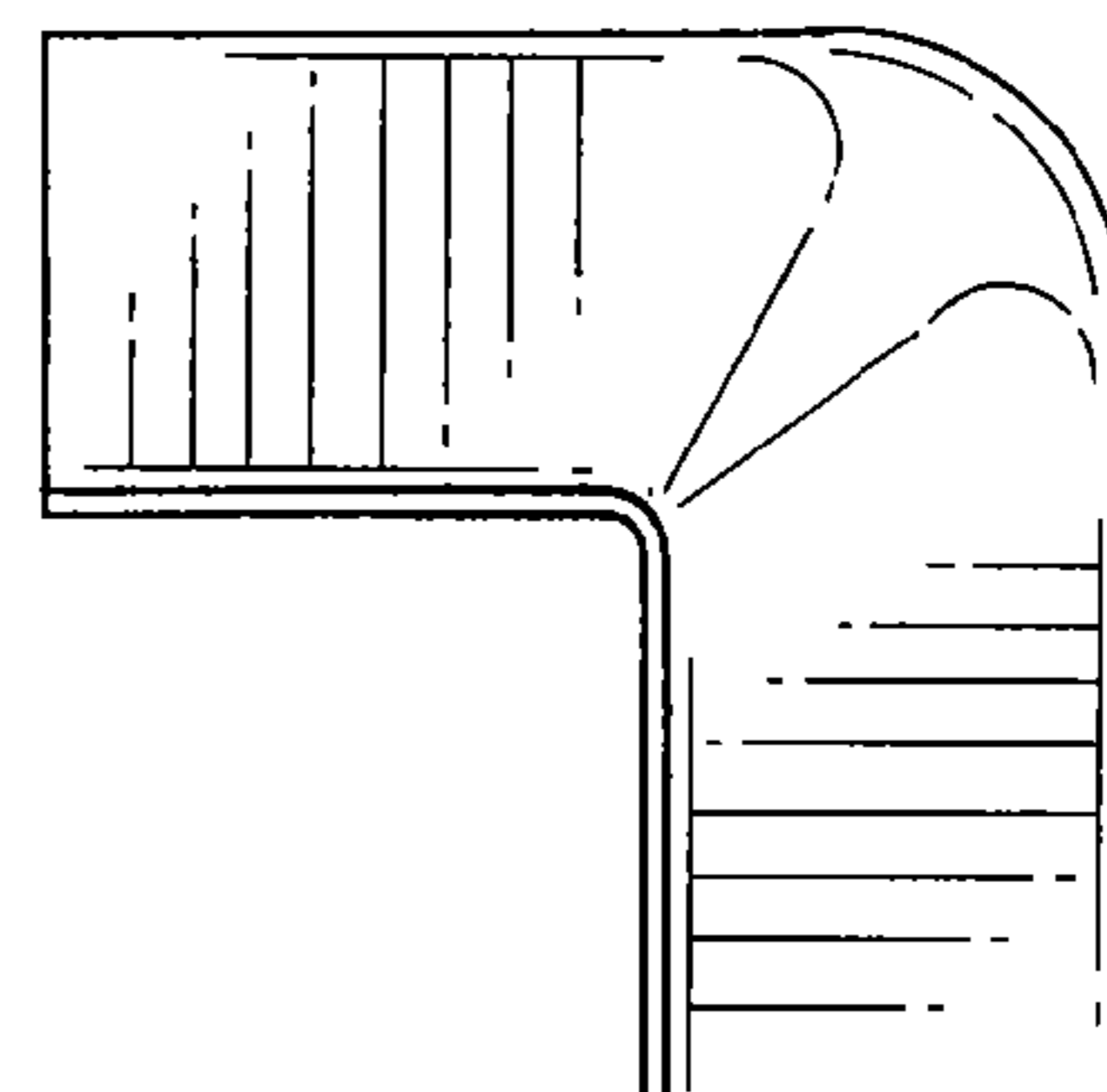


FIG. 7