



US00D549842S

(12) **United States Design Patent**
Beard, Jr.

(10) **Patent No.:** **US D549,842 S**

(45) **Date of Patent:** **** Aug. 28, 2007**

(54) **CORNER SUPPORT**

6,341,458 B1 * 1/2002 Burt 52/287.1

(76) Inventor: **Harold W. Beard, Jr.**, 7525 E.
Highland, Cave Creek, AZ (US) 85331

* cited by examiner

Primary Examiner—Doris Clark

(74) *Attorney, Agent, or Firm*—Snell & Wilmer L.L.P.

(**) Term: **14 Years**

(21) Appl. No.: **29/267,616**

(57) **CLAIM**

(22) Filed: **Oct. 18, 2006**

The ornamental design for a corner support, as shown.

(51) **LOC (8) Cl.** **25-01**

(52) **U.S. Cl.** **D25/102**

(58) **Field of Classification Search** D25/164,
D25/199, 102; 52/264, 282.3, 287.1

See application file for complete search history.

DESCRIPTION

FIG. 1 is a perspective view of the corner support showing my new design;

FIG. 2 is a front elevational view thereof;

FIG. 3 is a back elevational view thereof;

FIG. 4 is a side elevational view thereof;

FIG. 5 is the opposite side elevational view thereof;

FIG. 6 is a top view thereof; and,

FIG. 7 is a bottom view thereof.

(56) **References Cited**

U.S. PATENT DOCUMENTS

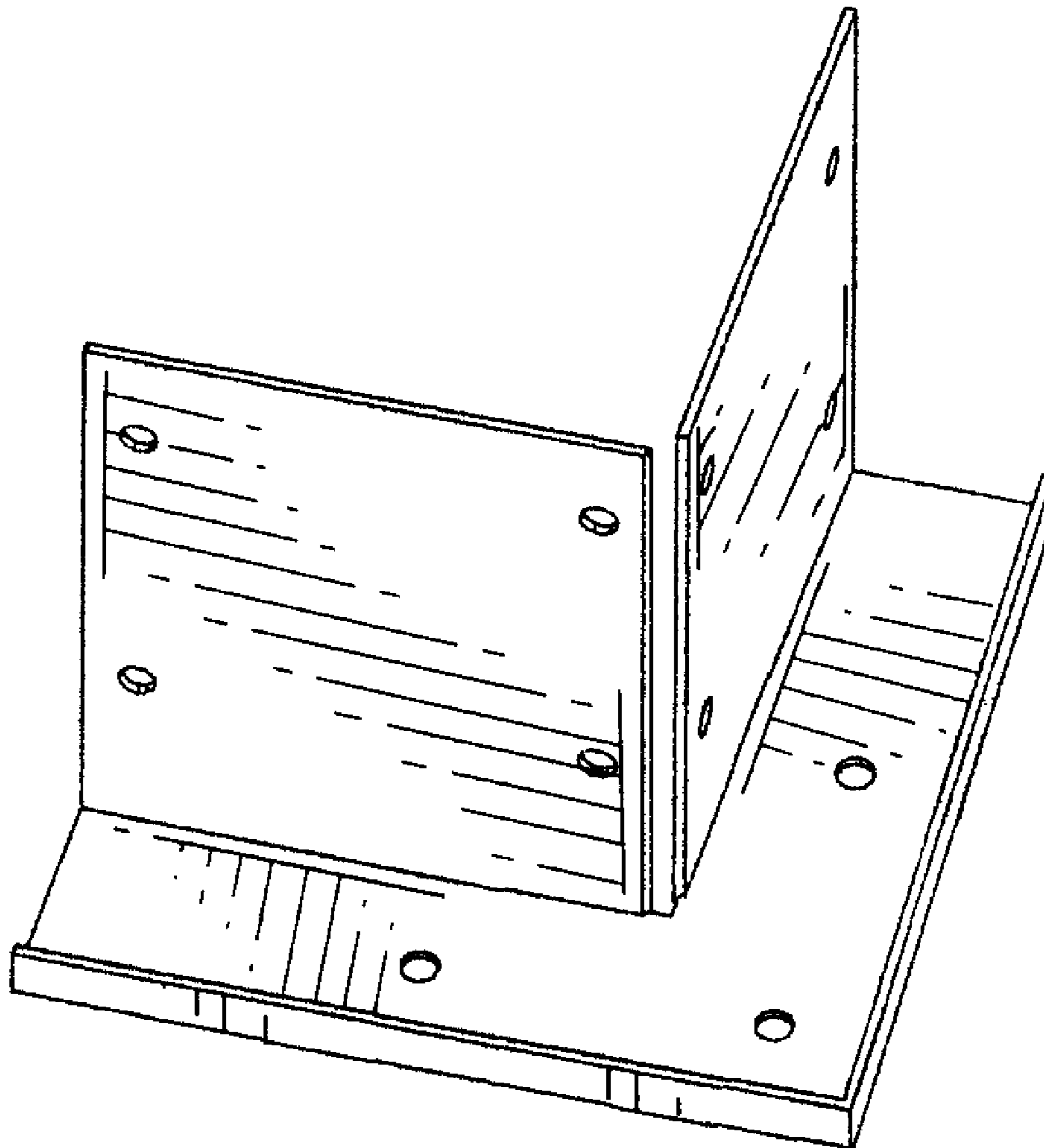
3,942,295 A * 3/1976 Schacht 52/287.1

4,532,746 A * 8/1985 Gartner 52/276

5,924,259 A * 7/1999 Marousek 52/656.1

D443,073 S * 5/2001 Wilson D25/102

1 Claim, 2 Drawing Sheets



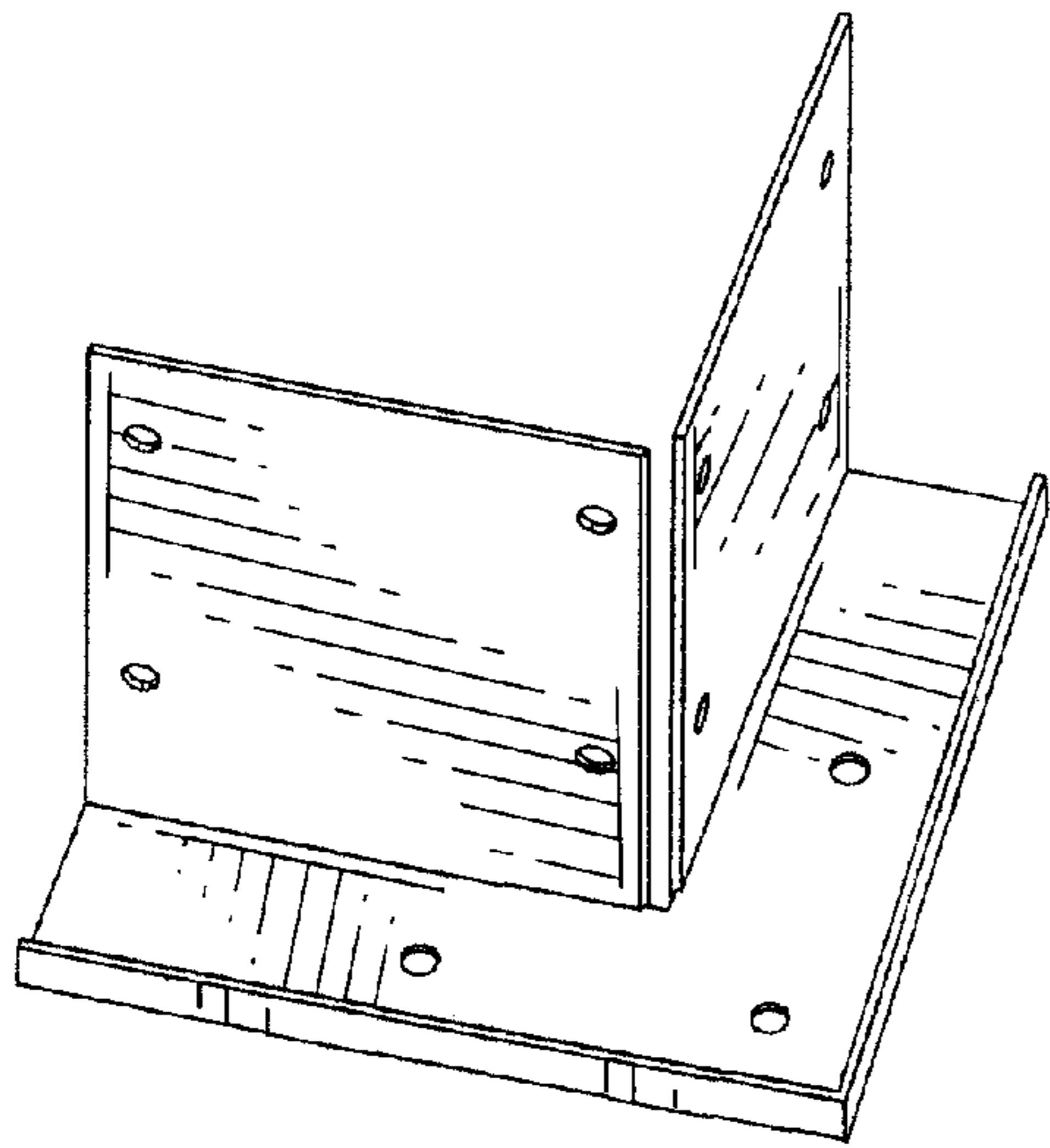


FIG. 1

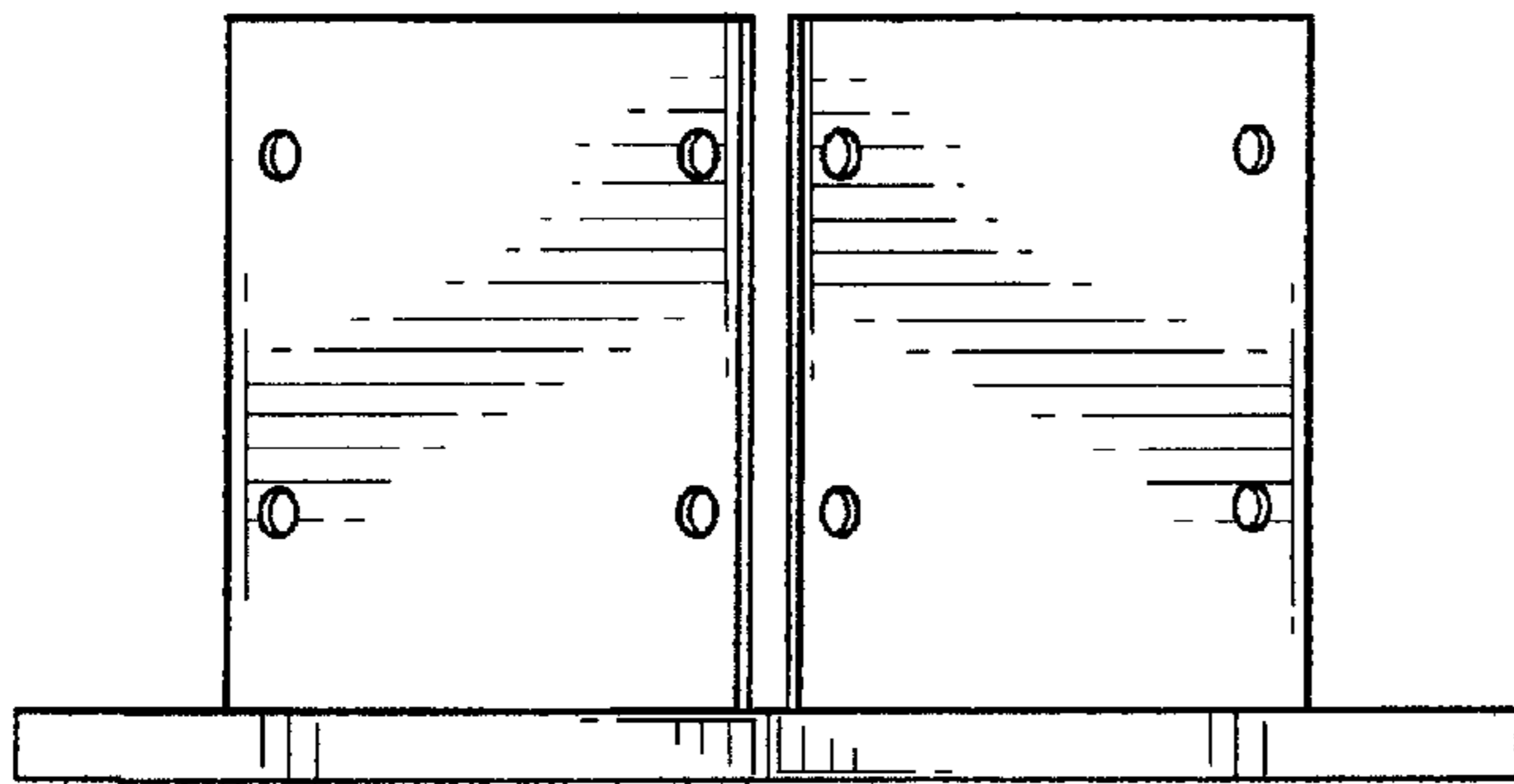


FIG. 2

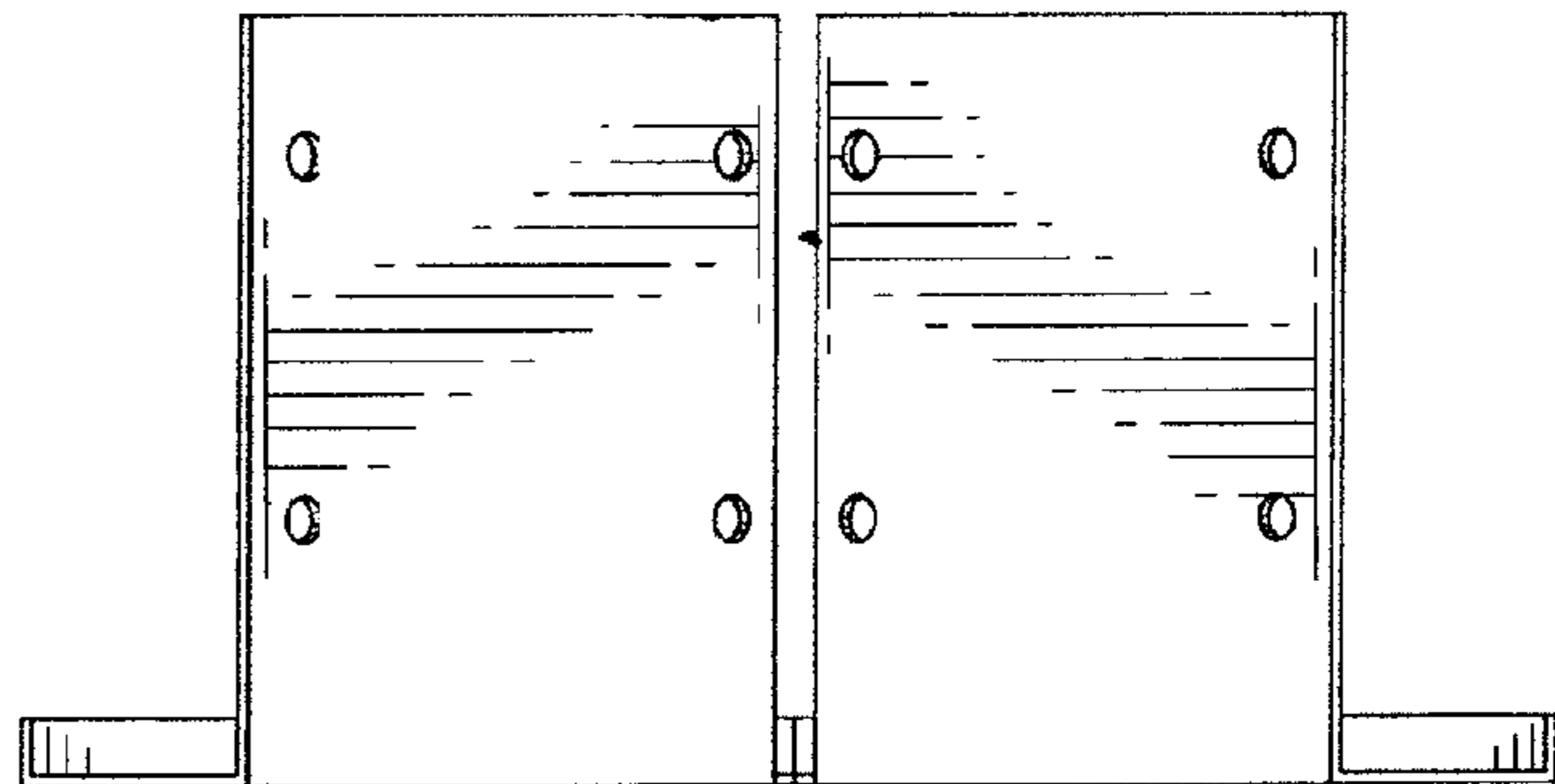


FIG. 3

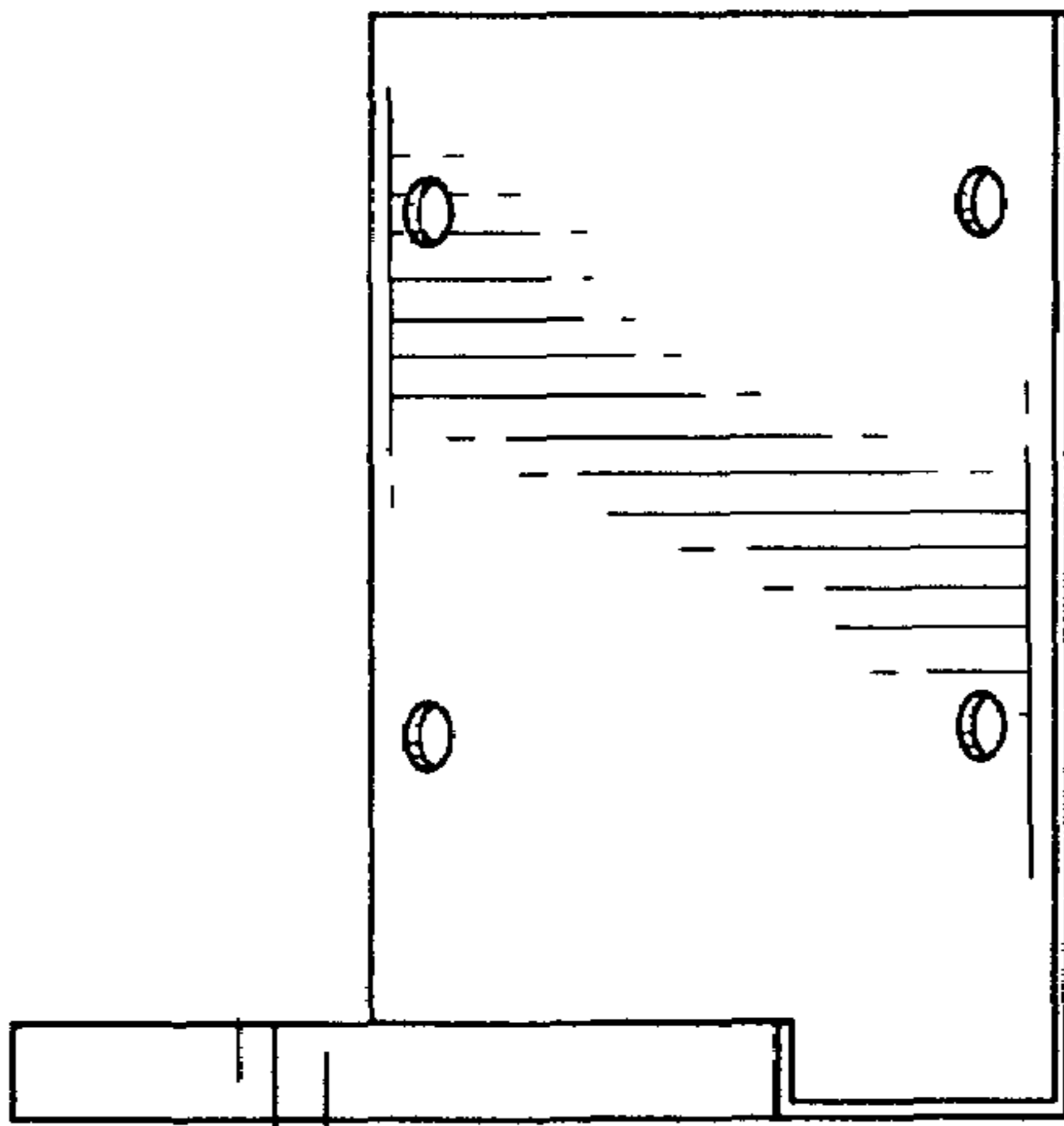


FIG. 4

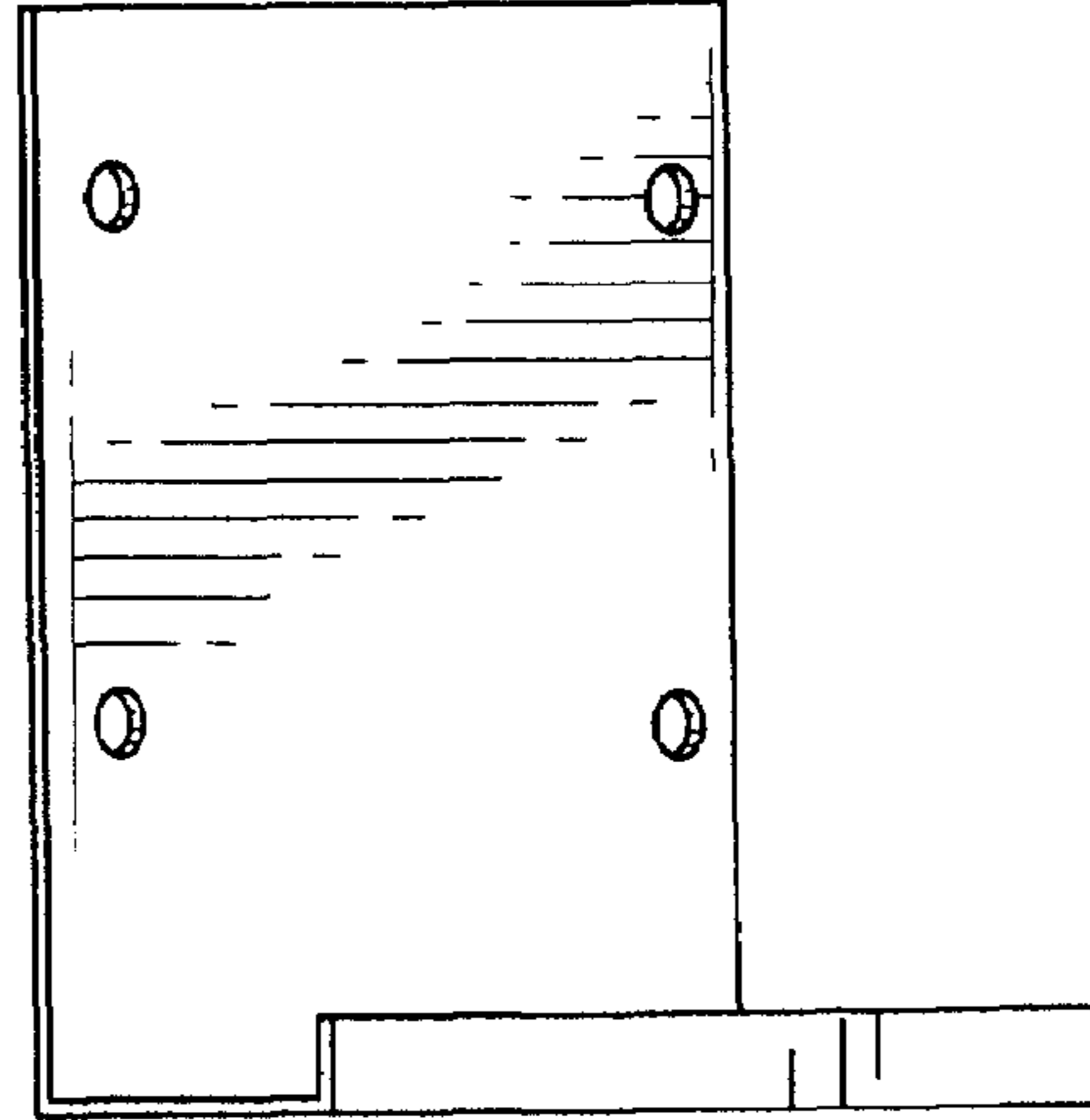


FIG. 5

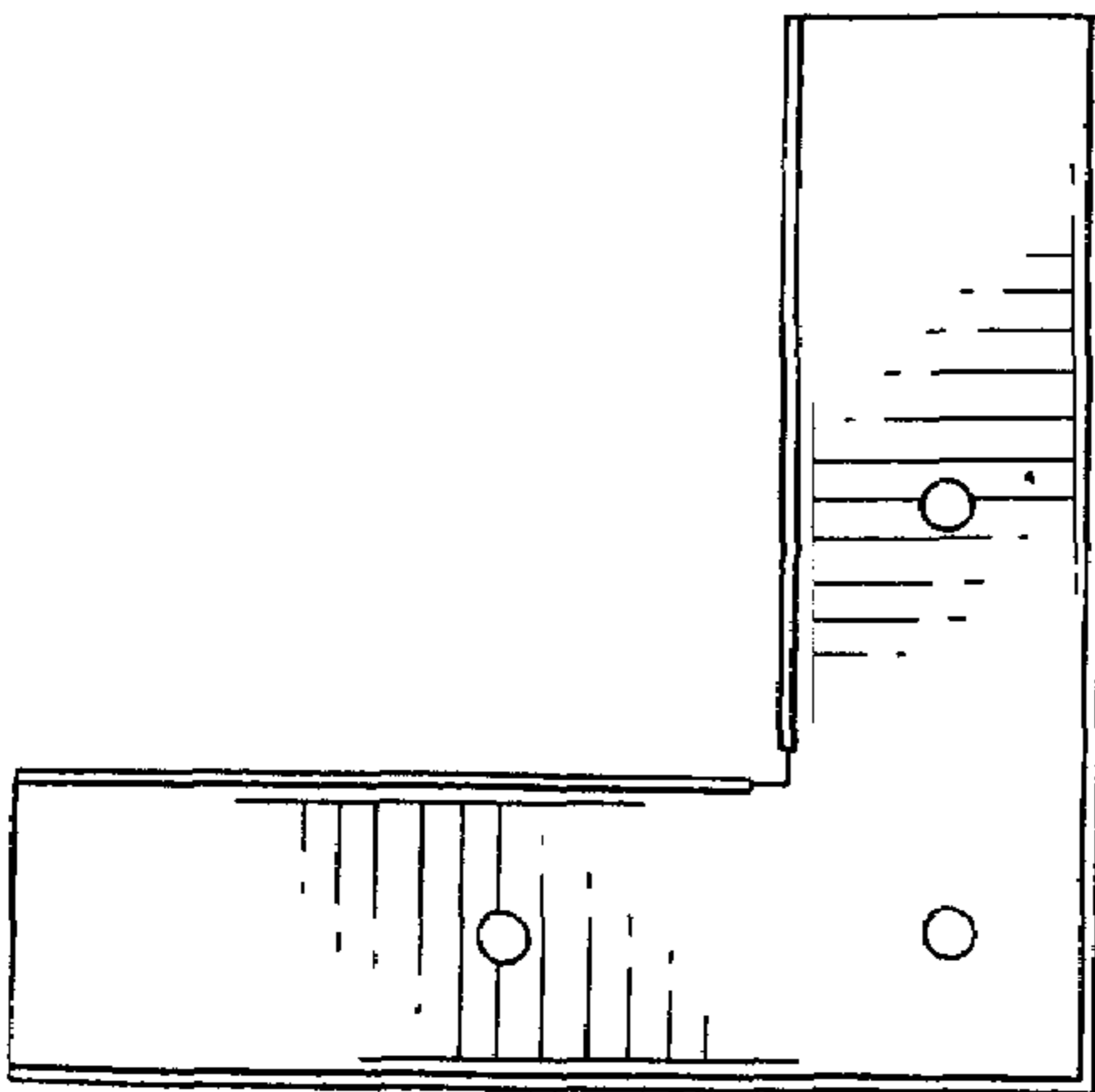


FIG. 6

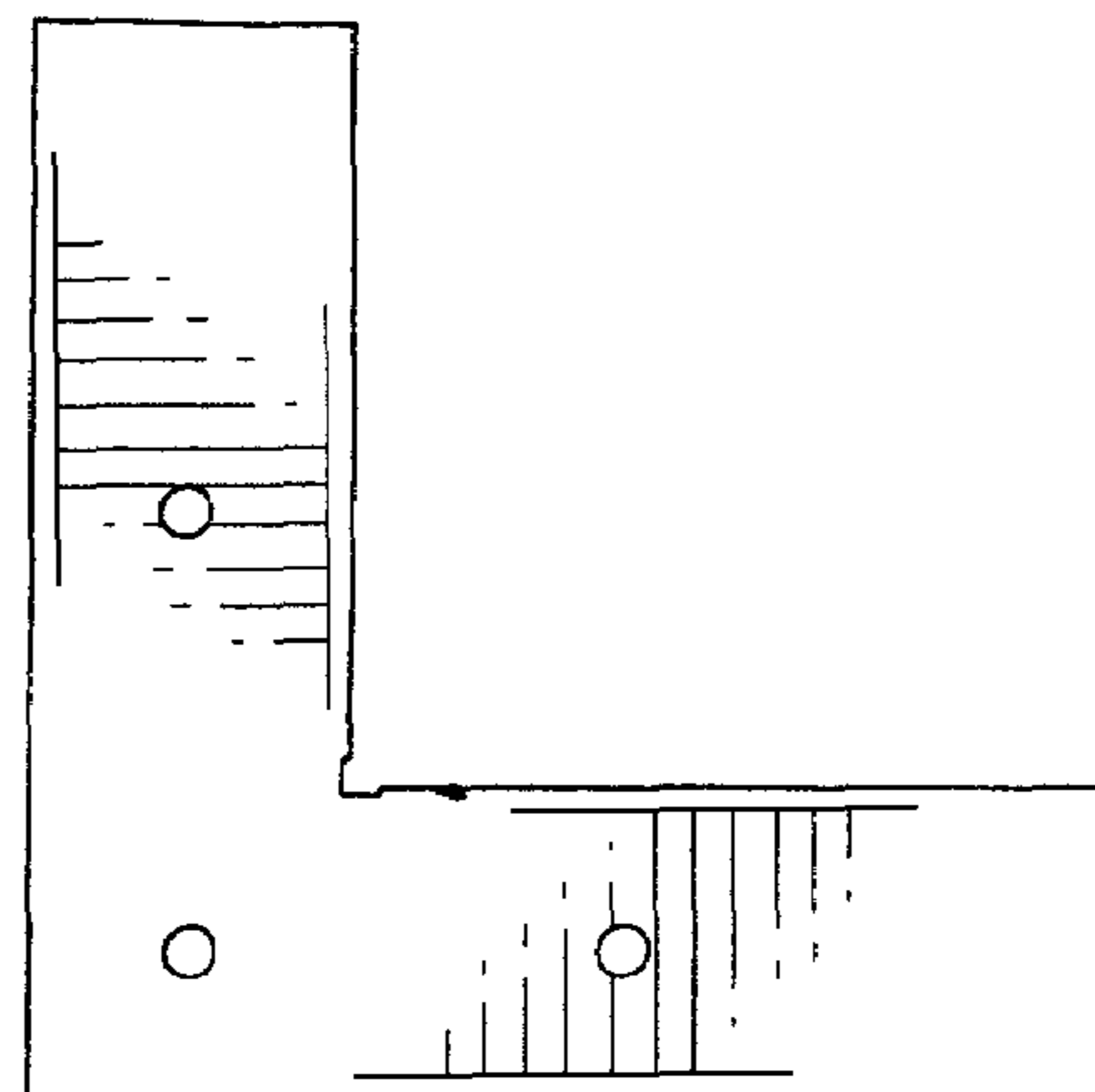


FIG. 7