



US00D549839S

(12) **United States Design Patent** (10) **Patent No.:** **US D549,839 S**
Zodnik (45) **Date of Patent:** **** Aug. 28, 2007**

(54) **LADDER ACCESSORY ASSEMBLY**

(76) Inventor: **Richard Zodnik**, 26000 Avenida
Aeropuerto, #94, San Juan Capistrano,
CA (US) 92675

(**) Term: **14 Years**

(21) Appl. No.: **29/257,699**

(22) Filed: **Apr. 6, 2006**

(51) **LOC (8) Cl.** **25-04**

(52) **U.S. Cl.** **D25/68**

(58) **Field of Classification Search** D25/68,
D25/69, 64, 63; 182/151, 107, 21, 180.1,
182/194, 130, 132, 67.4, 152, 156, 157, 161,
182/129, 230; 248/210, 238

See application file for complete search history.

(56) **References Cited**

U.S. PATENT DOCUMENTS

D273,996 S *	5/1984	Rasler	D25/68
4,730,802 A *	3/1988	Chatham et al.	248/238
5,058,707 A *	10/1991	Waid	182/120
D340,773 S *	10/1993	Bartnicki et al.	D25/68
D388,883 S *	1/1998	Thivierge et al.	D25/68
D447,818 S *	9/2001	Weber	D25/68
6,565,051 B2 *	5/2003	Vaglica	248/210

* cited by examiner

Primary Examiner—Doris Clark

(74) *Attorney, Agent, or Firm*—Ben J. Yorks; Irell & Manella LLP

(57) **CLAIM**

The ornamental design for a ladder accessory assembly, as shown and described.

DESCRIPTION

FIG. 1 is a top front perspective view of the platform of a ladder accessory assembly mounted to a ladder;

FIG. 2 is a front perspective view of the platform of the ladder accessory assembly folded upward;

FIG. 3 is a cross sectional view of the platform of the ladder accessory assembly taken along line 3—3 of FIG. 2;

FIG. 4 is a top plan view of the platform;

FIG. 5 is a front elevation view of the platform;

FIG. 6 is a bottom plan view of the platform;

FIG. 7 is a side elevation view of the platform, the opposite side being identical;

FIG. 8 is a top, front perspective view of the ladder accessory assembly showing paint can and toolbox accessories;

FIG. 9 is an enlarged top perspective view of the paint can accessory;

FIG. 10 is an enlarged top plan view of the paint can accessory;

FIG. 11 is an enlarged bottom plan view of the paint can accessory;

FIG. 12 is an enlarged side elevation view of the paint can accessory;

FIG. 13 is an enlarged top perspective view of the toolbox accessory;

FIG. 14 is an enlarged top plan view of the toolbox accessory;

FIG. 15 is an enlarged bottom plan view of the toolbox accessory;

FIG. 16 is an enlarged front elevation view of the toolbox accessory;

FIG. 17 is a top perspective view of the paint pan accessory of the ladder accessory assembly;

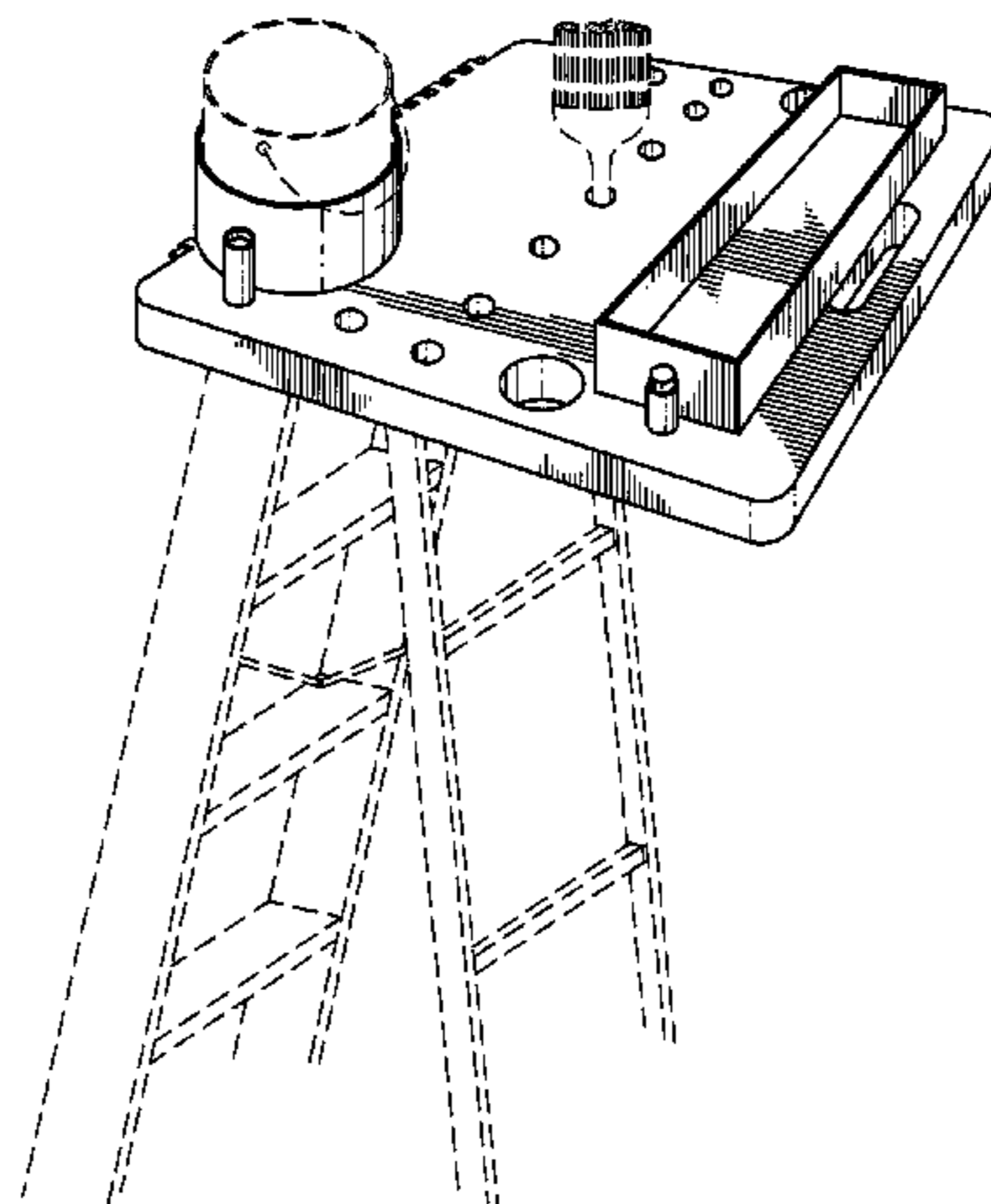
FIG. 18 is a top Plan view of the paint pan accessory;

FIG. 19 is a bottom plan view of the paint pan accessory; and,

FIG. 20 is a side elevation view of the paint pan accessory.

The broken lines showing a ladder, paint can, and paint brush are for illustrative purposes only and form no part of the claimed design.

1 Claim, 8 Drawing Sheets



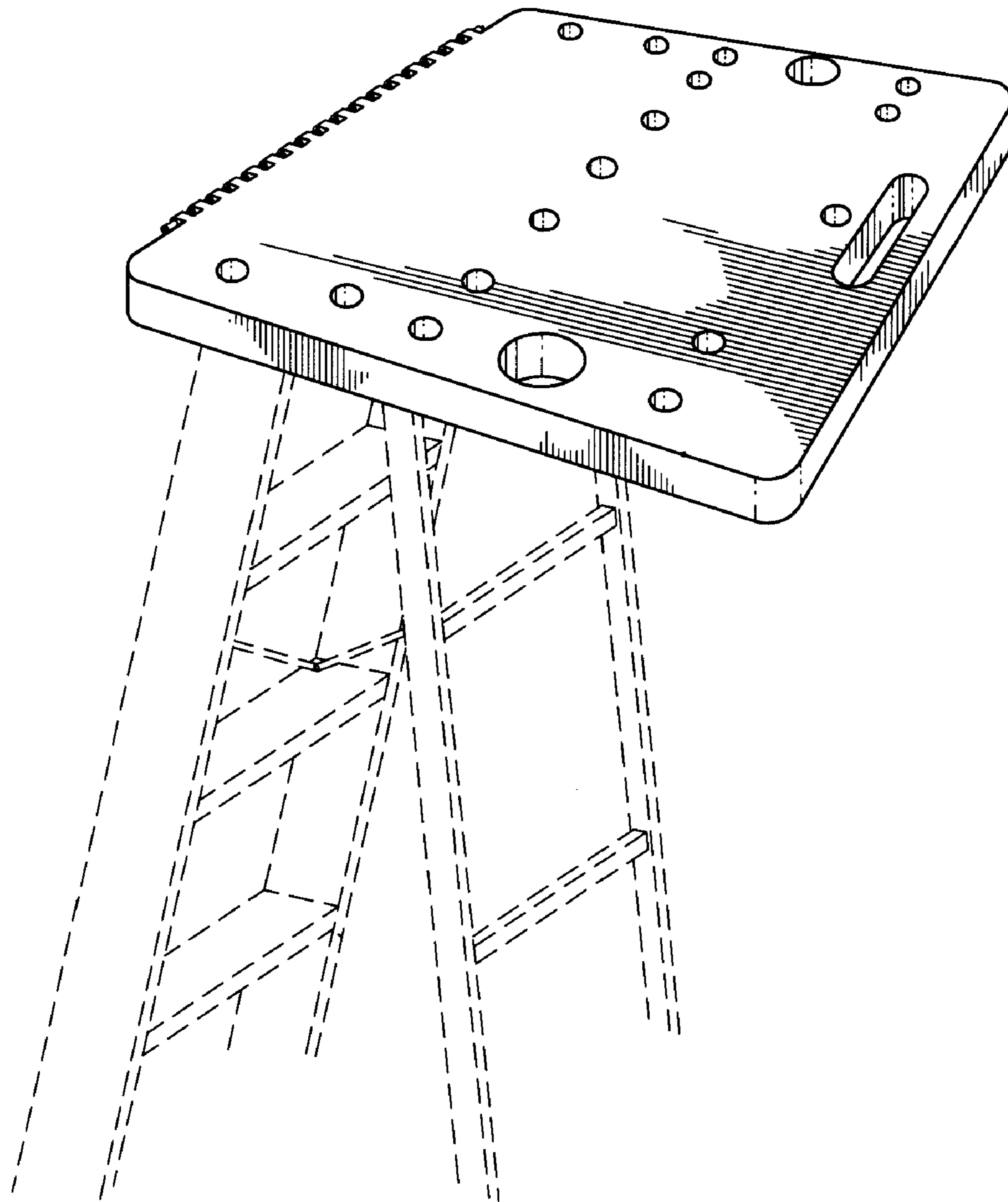


FIG. 1

FIG. 2

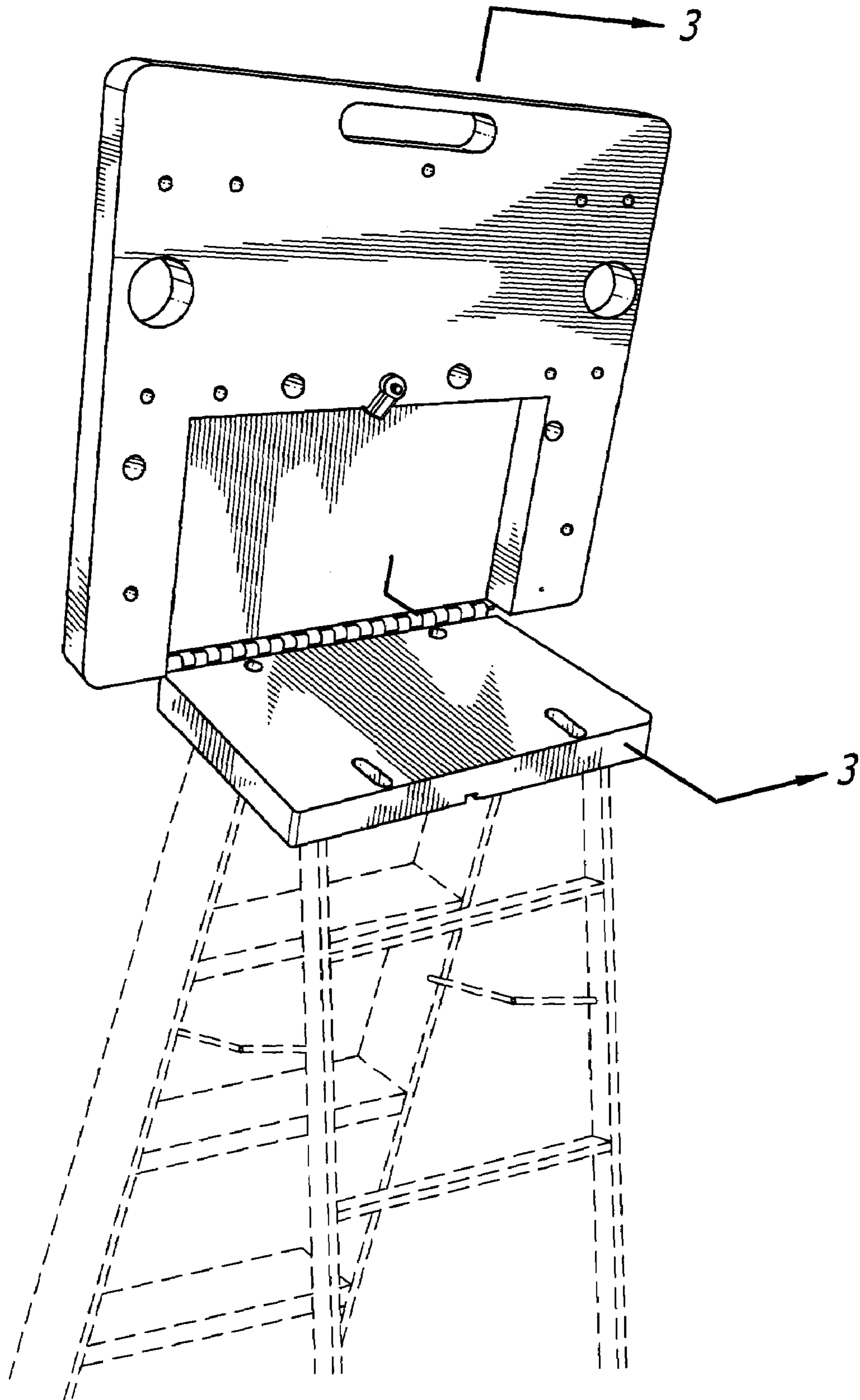


FIG. 3

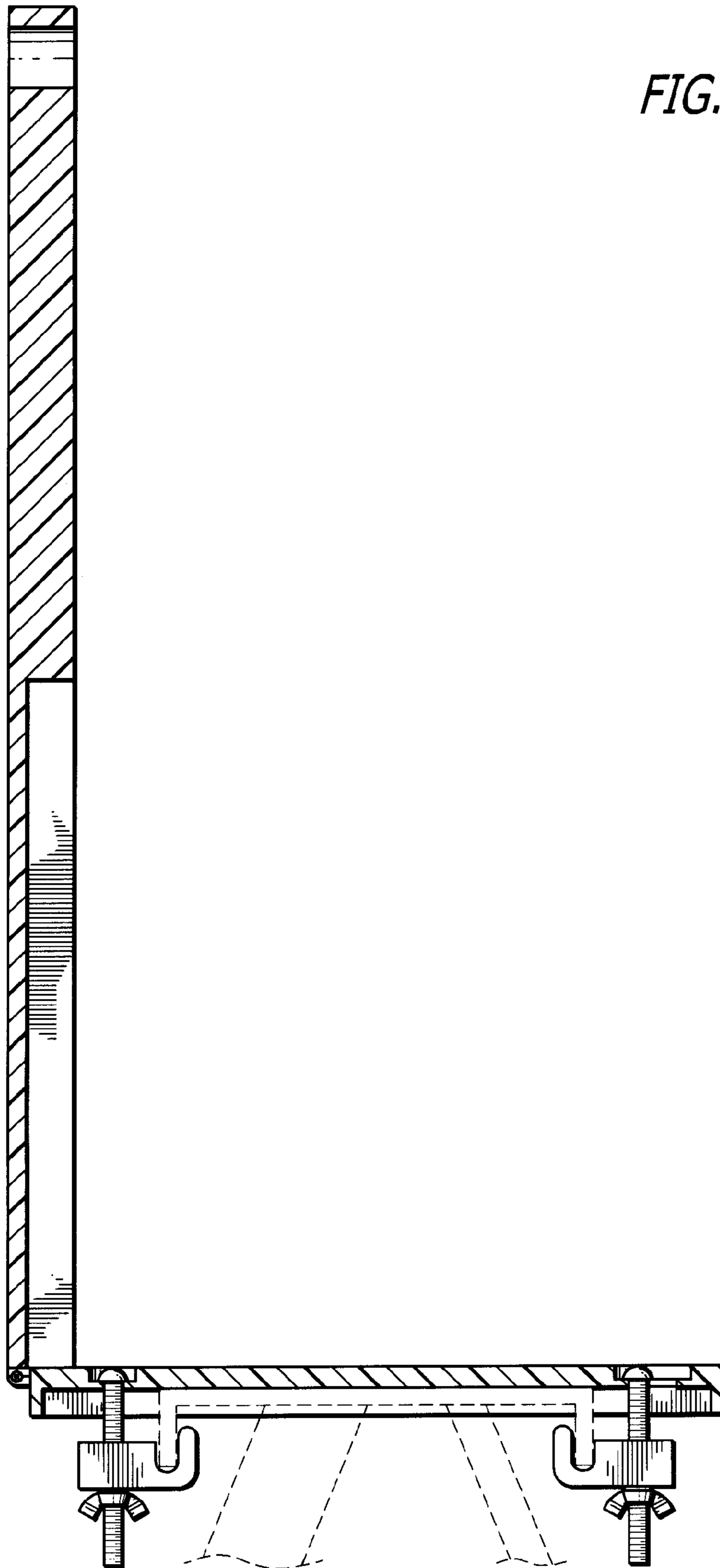


FIG. 4

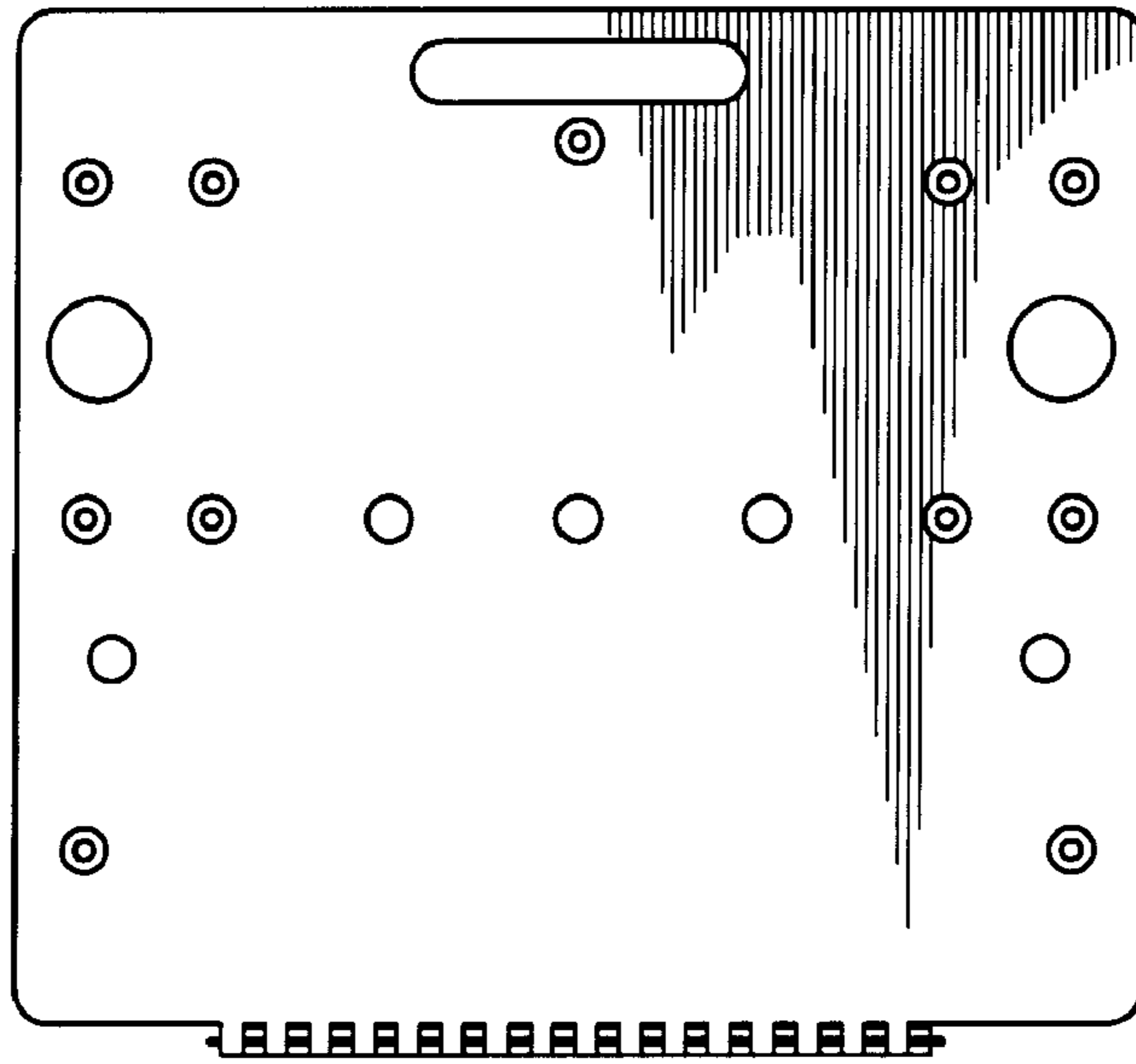


FIG. 5

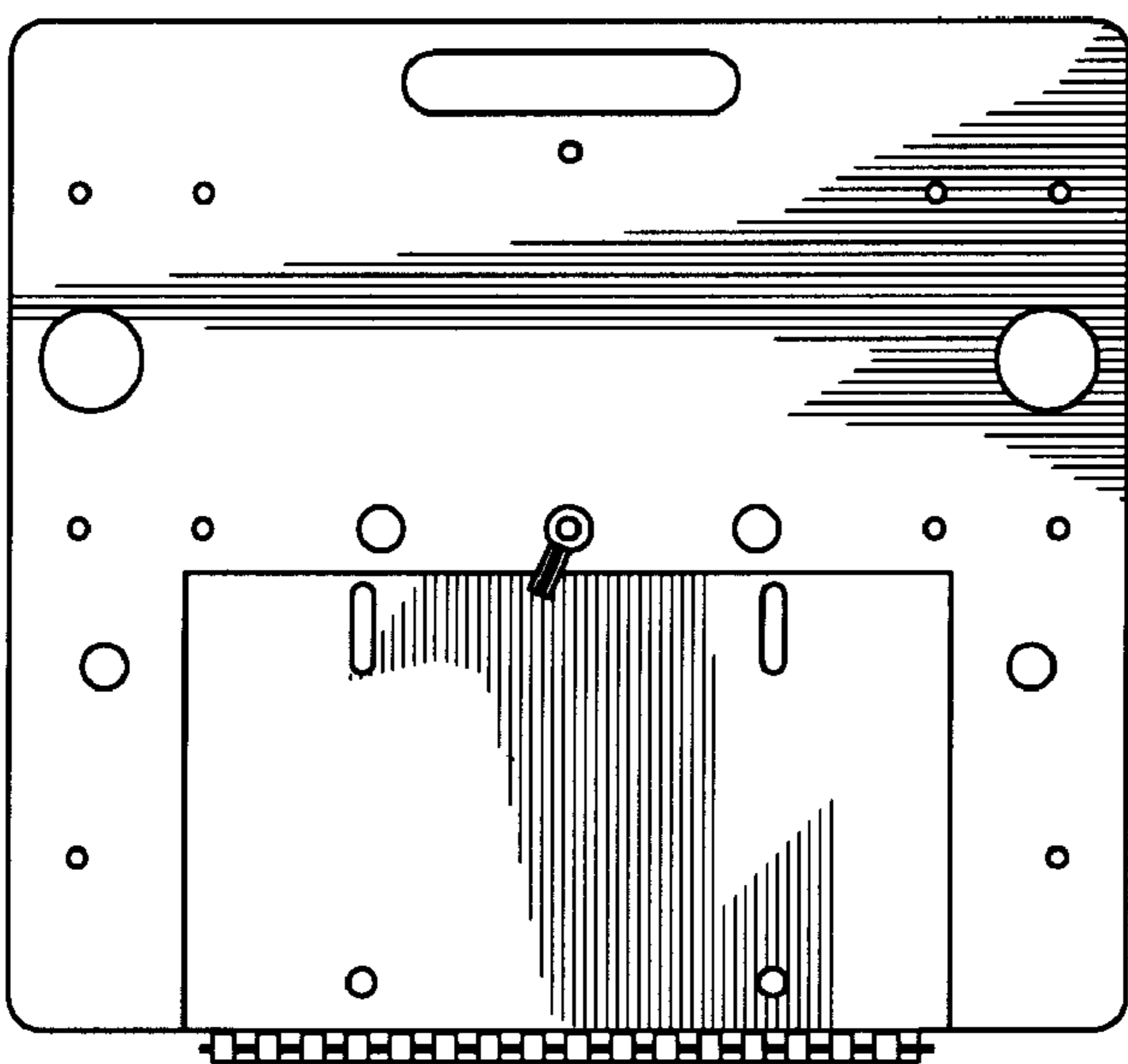


FIG. 6



FIG. 7

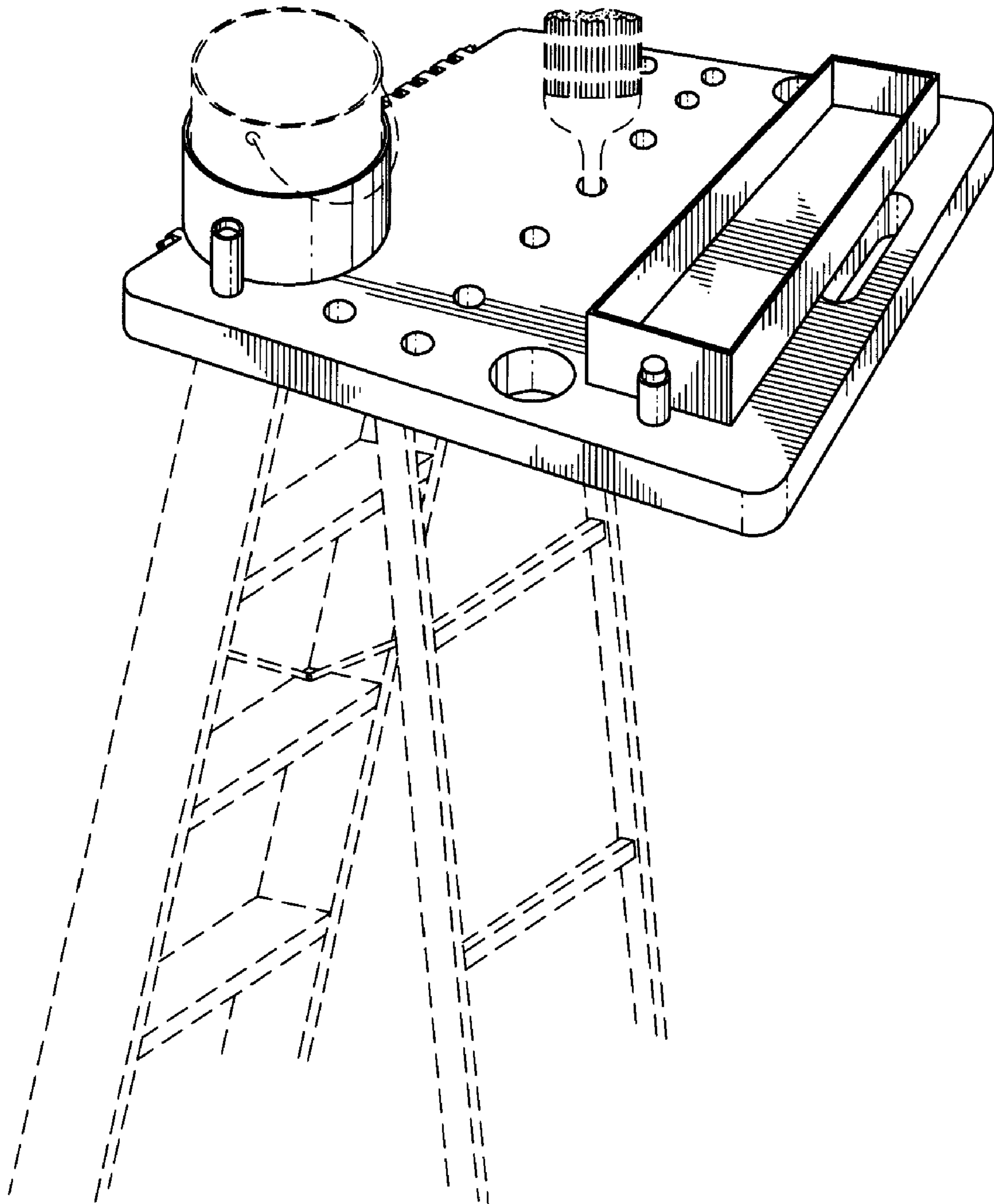


FIG. 8

FIG. 9

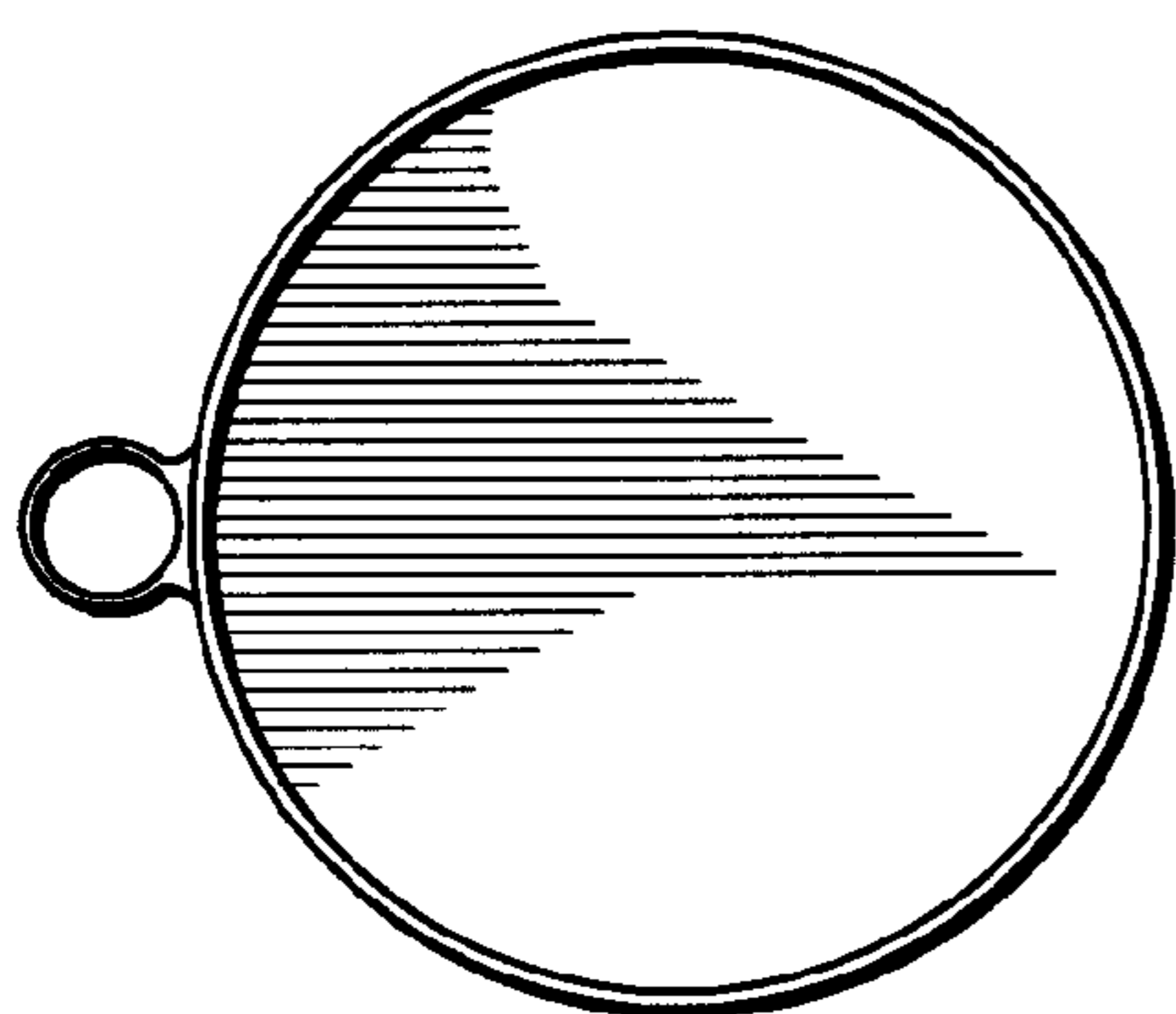
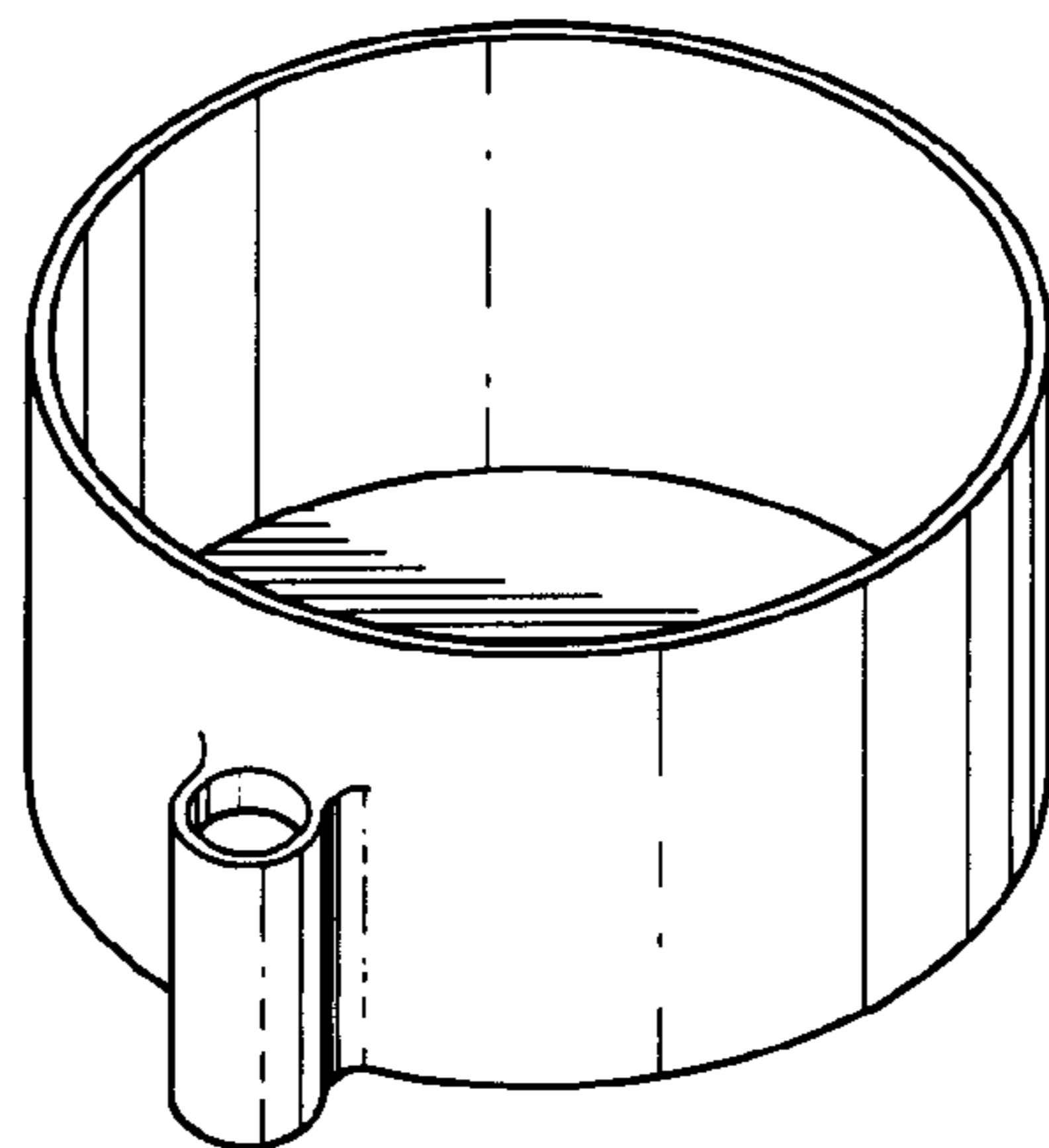


FIG. 10

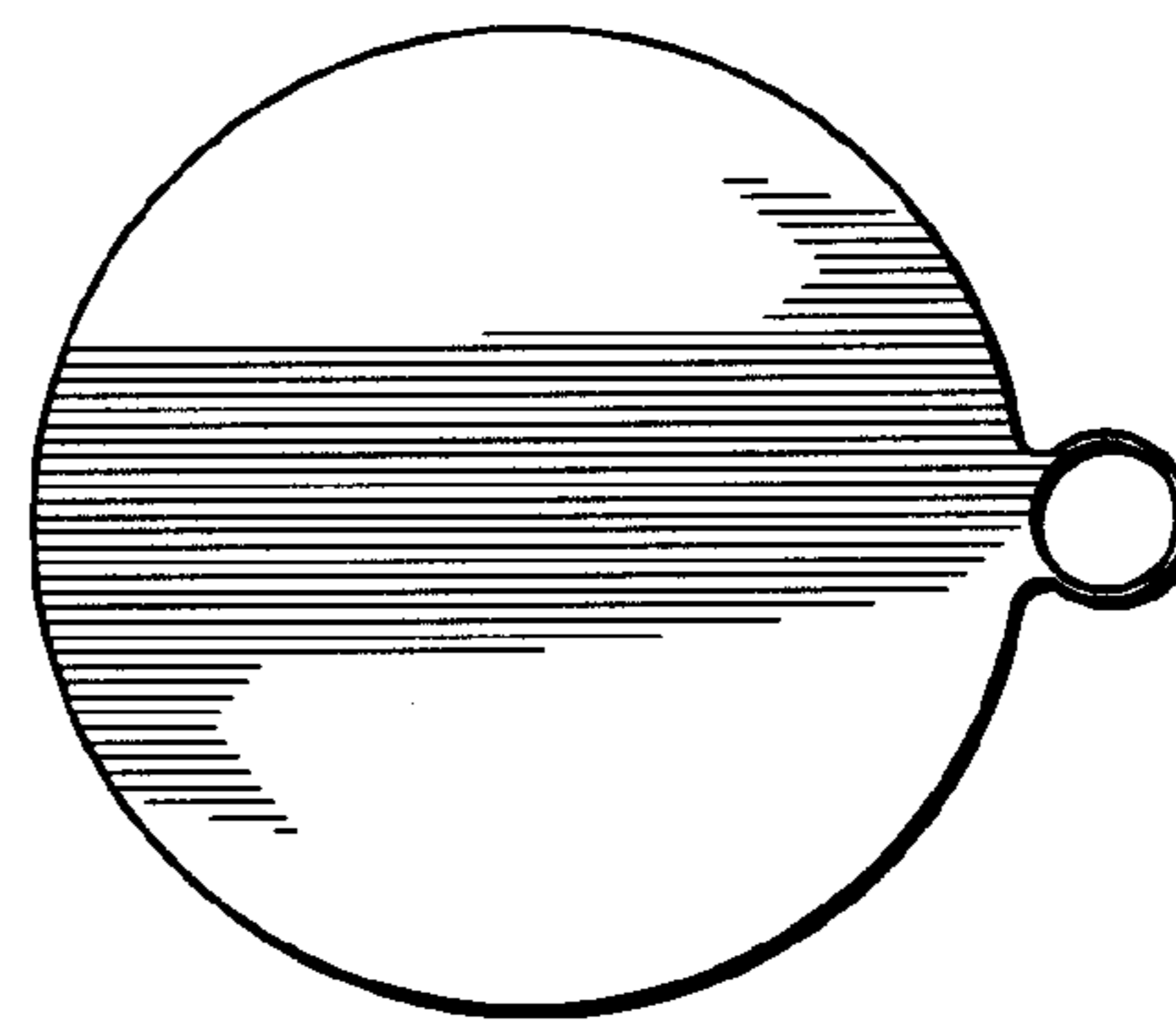


FIG. 11

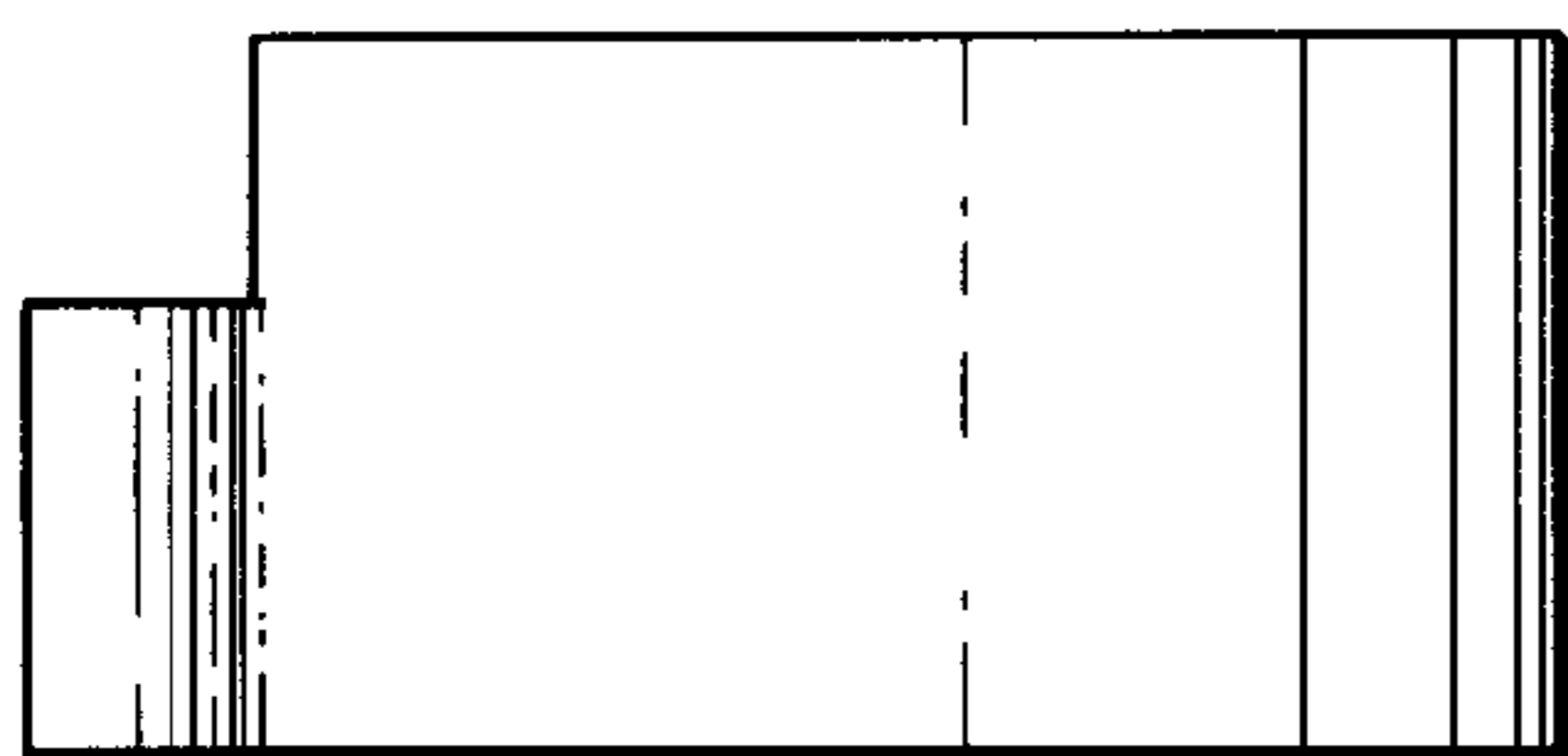


FIG. 12

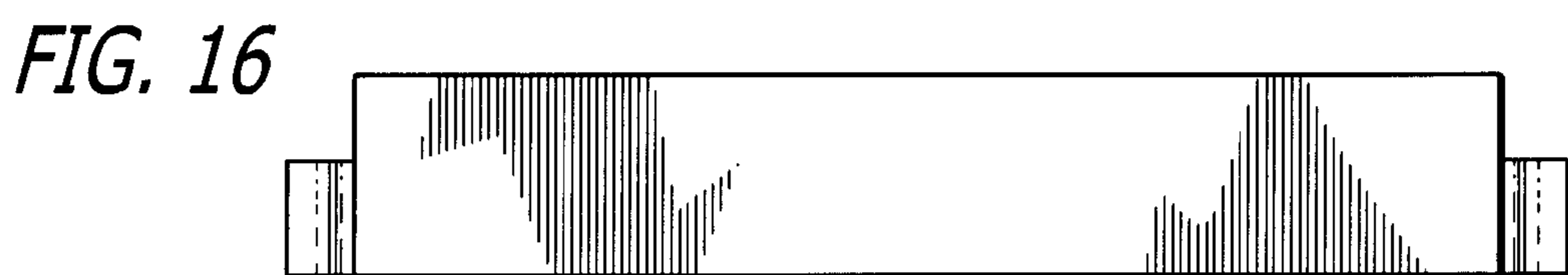
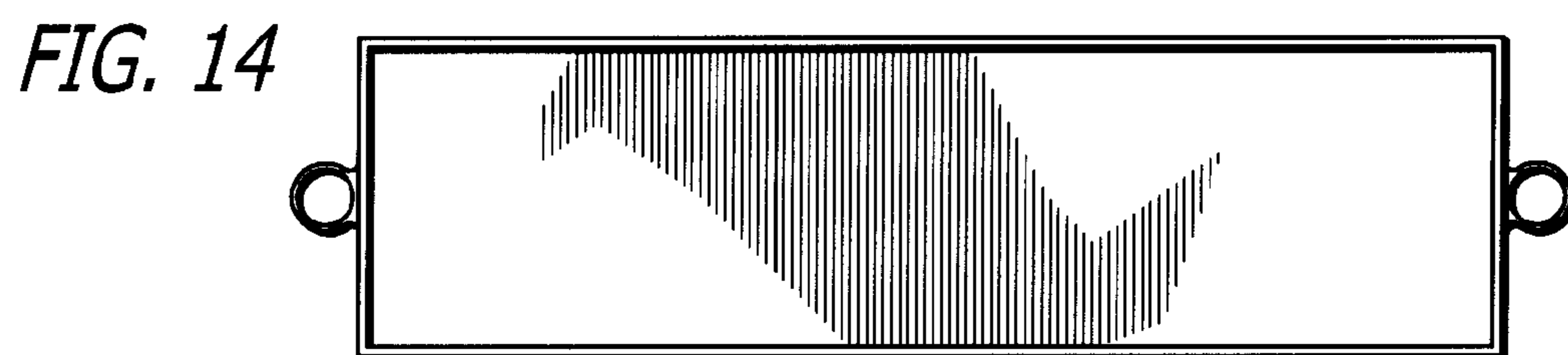
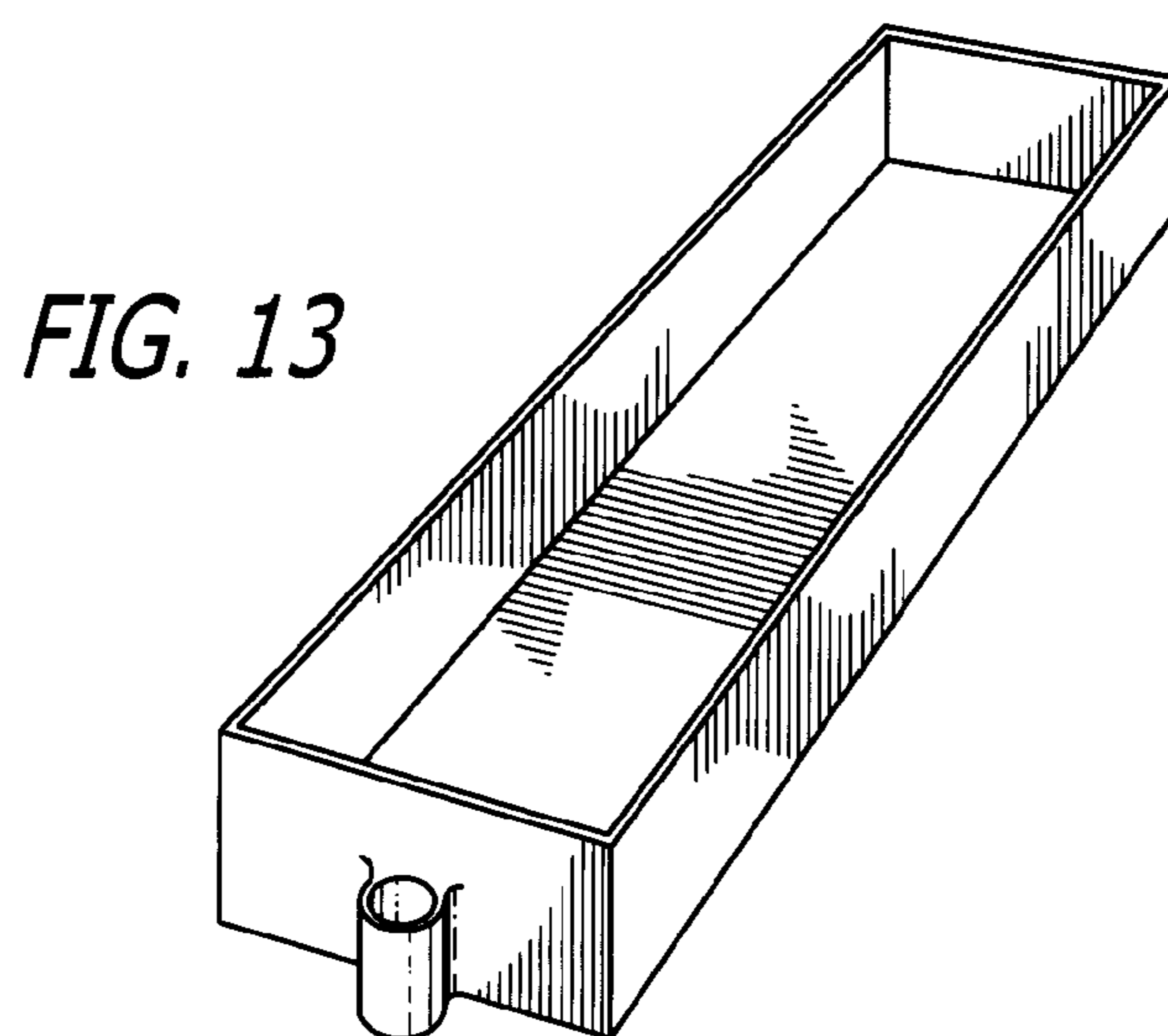


FIG. 17

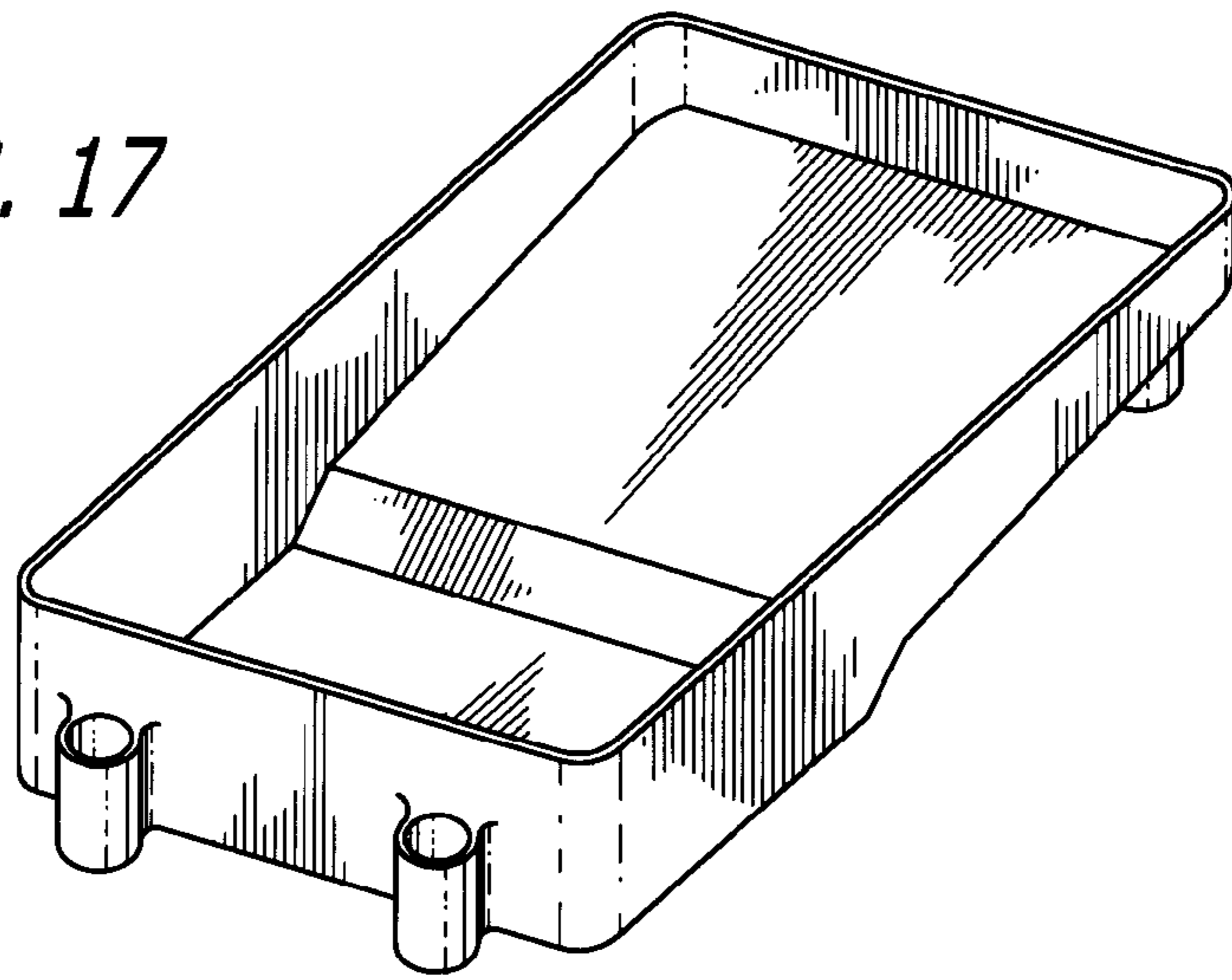


FIG. 18

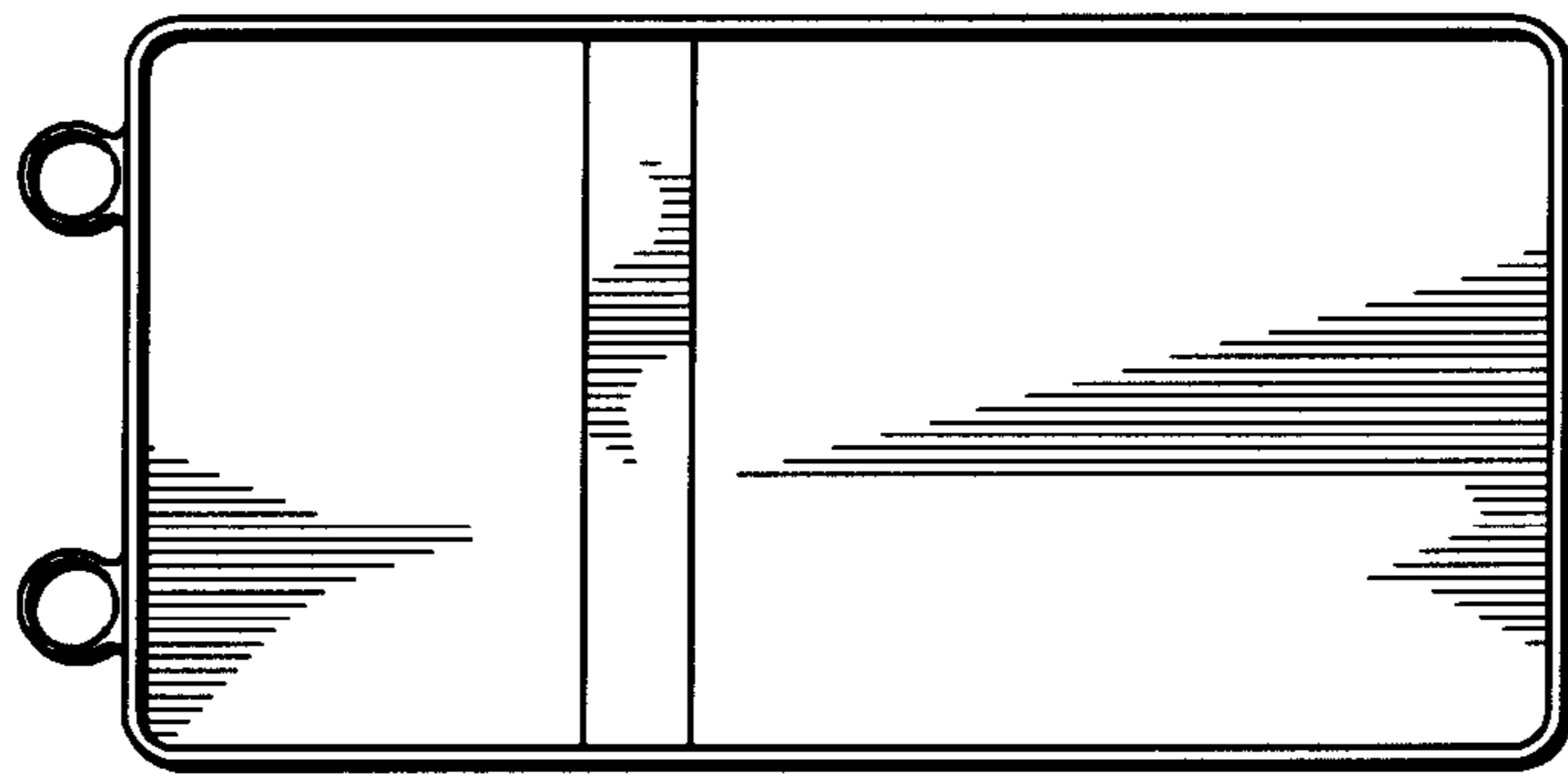


FIG. 19

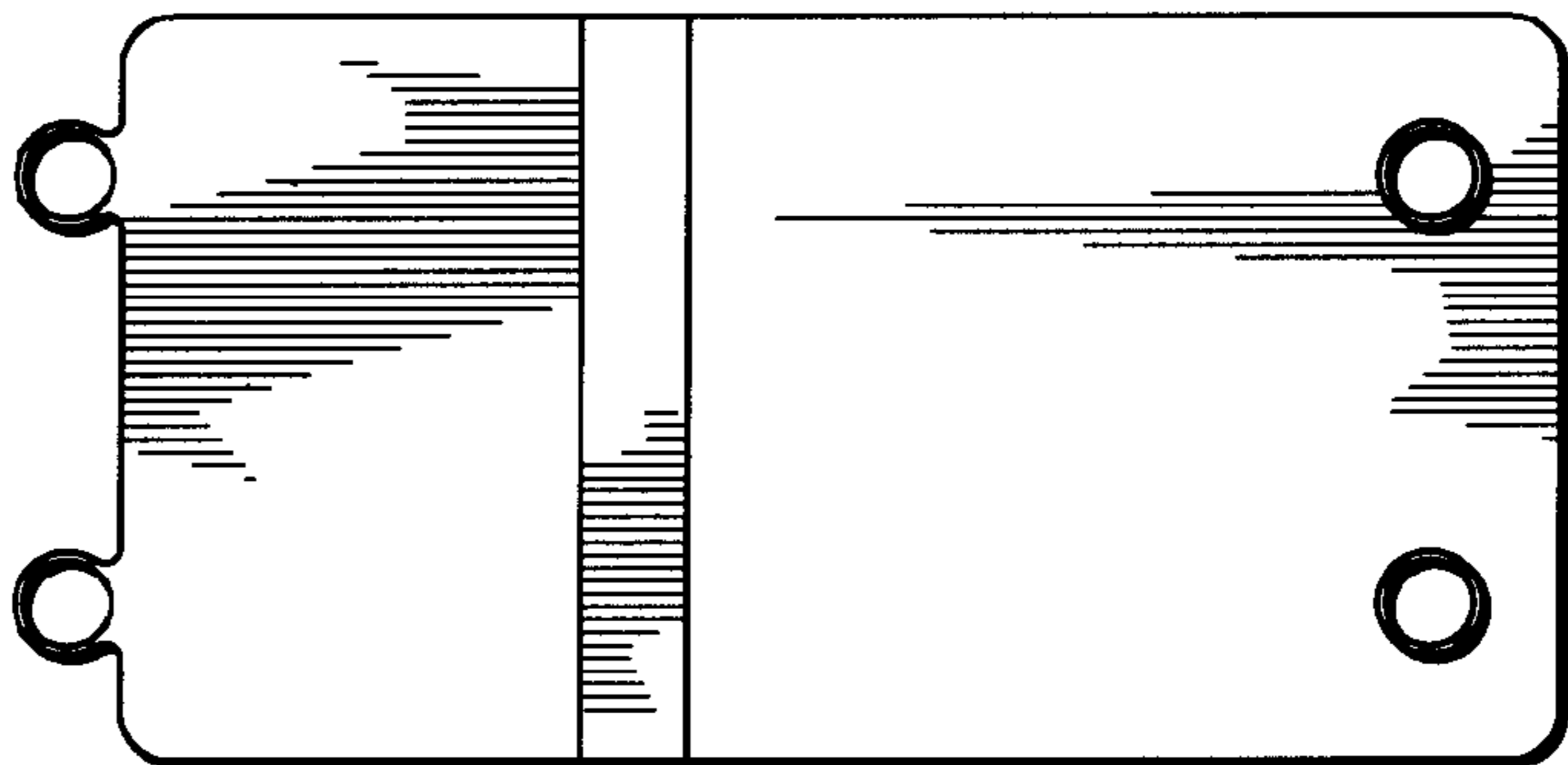


FIG. 20

