



US00D549831S

(12) **United States Design Patent** (10) **Patent No.:** **US D549,831 S**
Ward et al. (45) **Date of Patent:** **** Aug. 28, 2007**

(54) **PATIENT MONITORING DEVICE**
(75) Inventors: **Suzanne M. Ward**, Portland, OR (US);
Darrin S. Manke, North Andover, MA
(US); **Derek A. Verhoorn**, Stoneham,
MA (US); **Young Hwan Oh**, Seoul
(KR); **I Ung Kim**, Seoul (KR); **Eong
Suk Kim**, Wonju (KR); **Dong Won
Kang**, Seoul (KR)

D414,870 S 10/1999 Saltzstein et al.
D427,315 S 6/2000 Saltzstein et al.
D437,414 S 2/2001 Kern et al.
D445,189 S * 7/2001 Cannon et al. D24/160
D445,190 S 7/2001 Byler et al.
D454,954 S * 3/2002 Cannon et al. D24/160
D460,559 S 7/2002 Knieriem et al.
D475,137 S * 5/2003 Manke et al. D24/165
D491,270 S * 6/2004 Barker D24/186
D512,151 S 11/2005 Ward et al.
D536,795 S * 2/2007 Knieriem et al. D24/186

(73) Assignee: **Welch Allyn, Inc.**, Skaneateles Falls,
NY (US)

(**) Term: **14 Years**

(21) Appl. No.: **29/236,756**

(22) Filed: **Aug. 22, 2005**

(51) **LOC (8) Cl.** **24-01**
(52) **U.S. Cl.** **D24/186**
(58) **Field of Classification Search** D24/158,
D24/160, 165, 169-170, 183-187, 216-234;
D10/104; D14/371, 381; 600/391, 393,
600/481, 484, 513, 519, 528, 532, 536, 538,
600/549

See application file for complete search history.

(56) **References Cited**

U.S. PATENT DOCUMENTS

D248,490 S 7/1978 Manno
D287,052 S 12/1986 Avoy et al.
D297,260 S 8/1988 Avoy et al.
D303,255 S * 9/1989 Bratasevec D14/371
D328,645 S * 8/1992 Rogler et al. D24/186
D340,769 S 10/1993 Bloom et al.
D383,688 S * 9/1997 Abrams D10/104
D392,043 S 3/1998 Cooper et al.
D393,072 S * 3/1998 Rogler D24/186
D395,513 S * 6/1998 Rogler D24/186
D398,293 S * 9/1998 Lindblom D14/381

OTHER PUBLICATIONS

U.S. Appl. No. 29/221,268, filed Jan. 13, 2005, Barrett et al.

* cited by examiner

Primary Examiner—Louis Zarfaz

Assistant Examiner—Mark Cavanna

(74) *Attorney, Agent, or Firm*—Marjama & Bilinski LLP

(57) **CLAIM**

The ornamental design for a patient monitoring device, as shown and described.

DESCRIPTION

FIG. 1 is a front perspective view of our patient monitoring device;

FIG. 2 is a second front perspective view thereof, as rotated 90° from FIG. 1;

FIG. 3 is a front view thereof;

FIG. 4 is a right side view thereof;

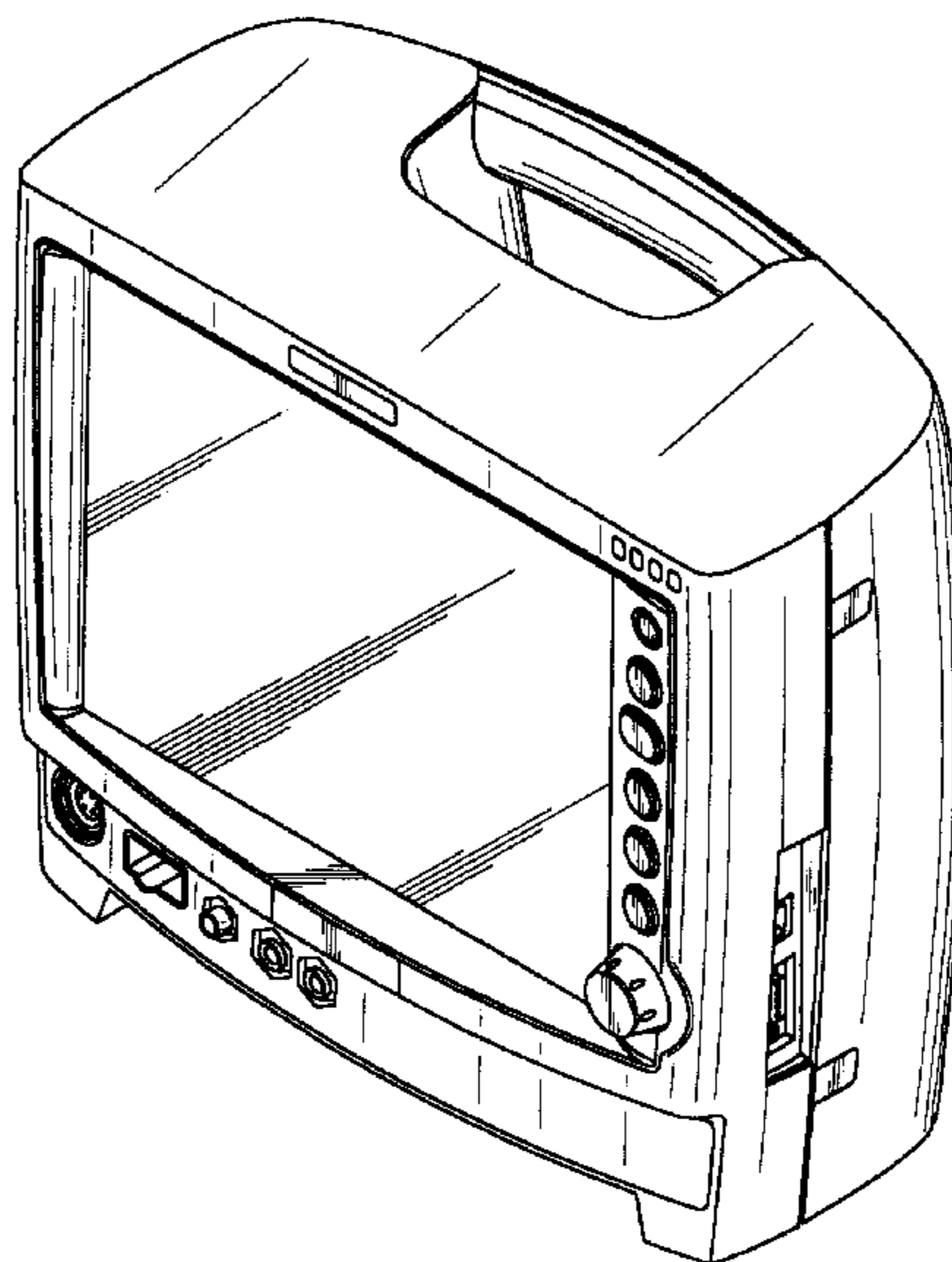
FIG. 5 is a left side view thereof;

FIG. 6 is a top plan view thereof;

FIG. 7 is a bottom view thereof; and,

FIG. 8 is a rear view thereof.

1 Claim, 6 Drawing Sheets



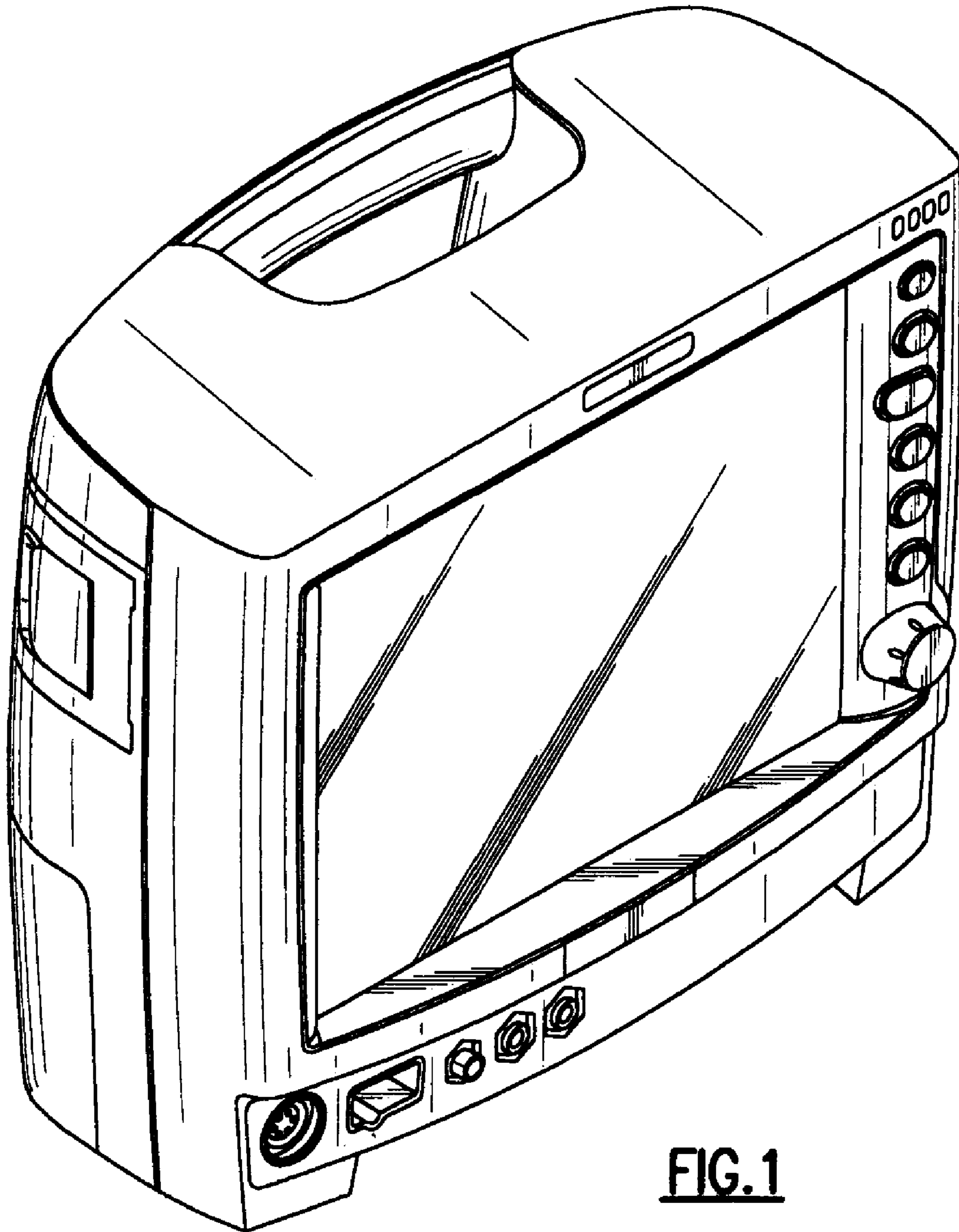


FIG. 1

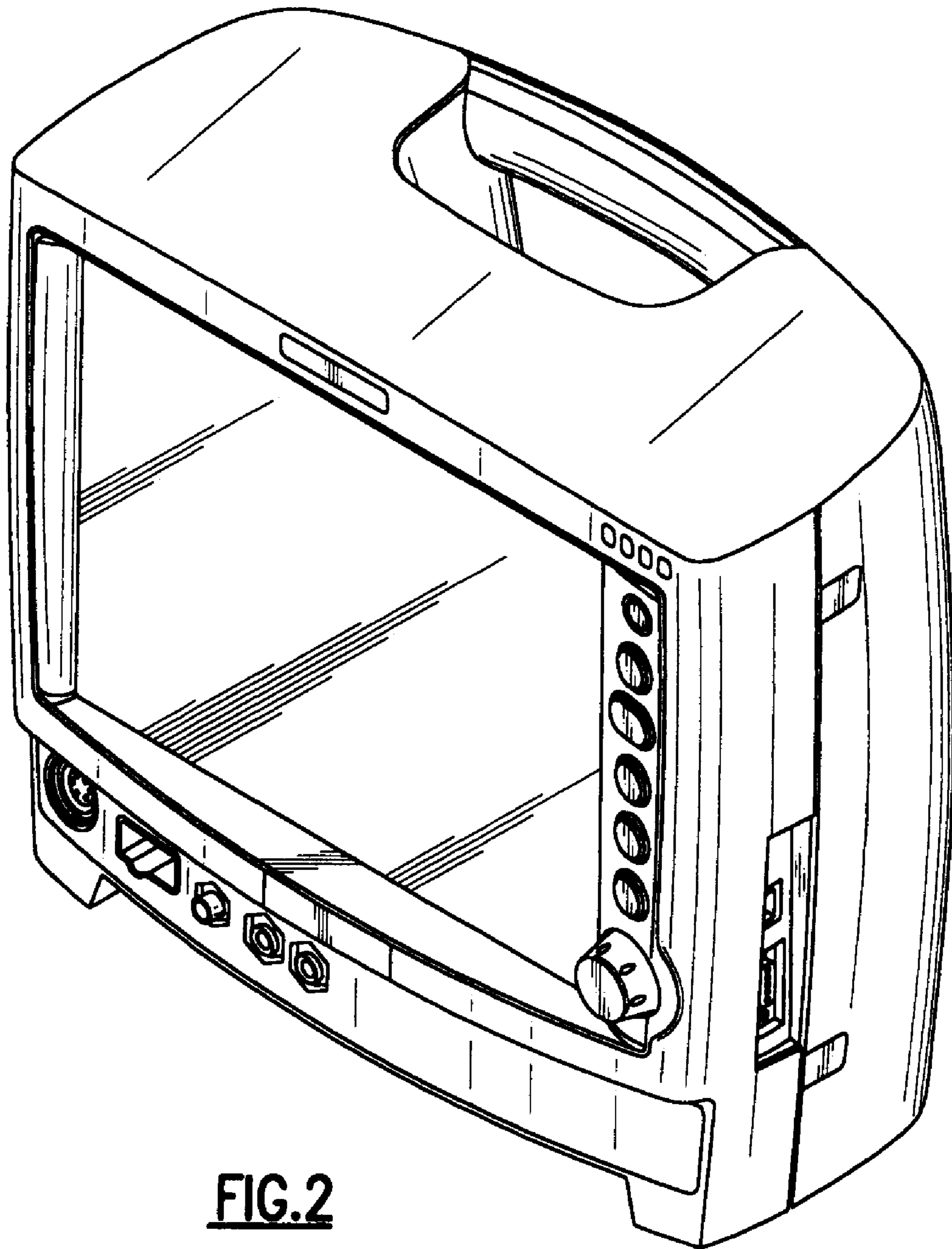


FIG.2

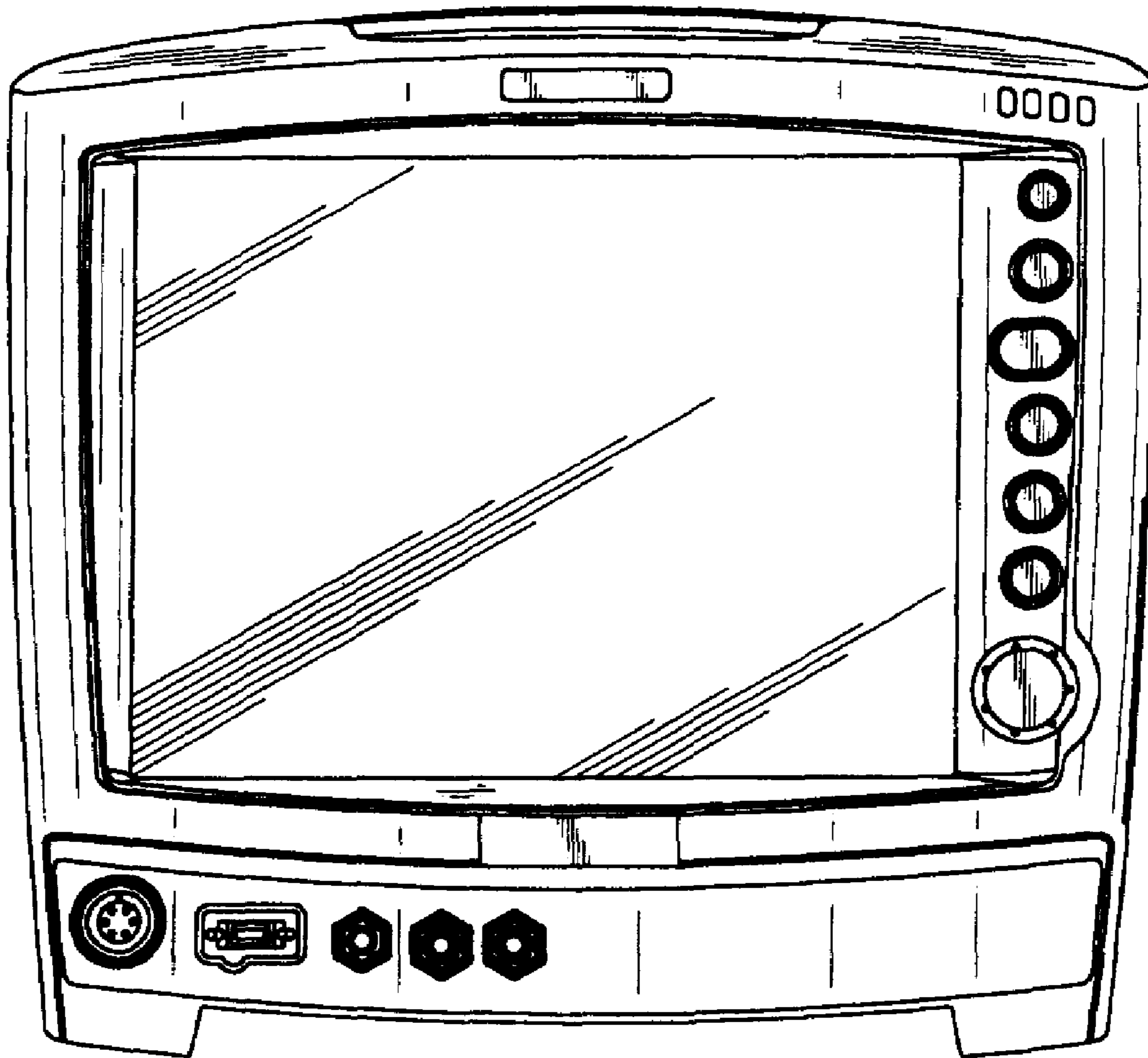


FIG.3

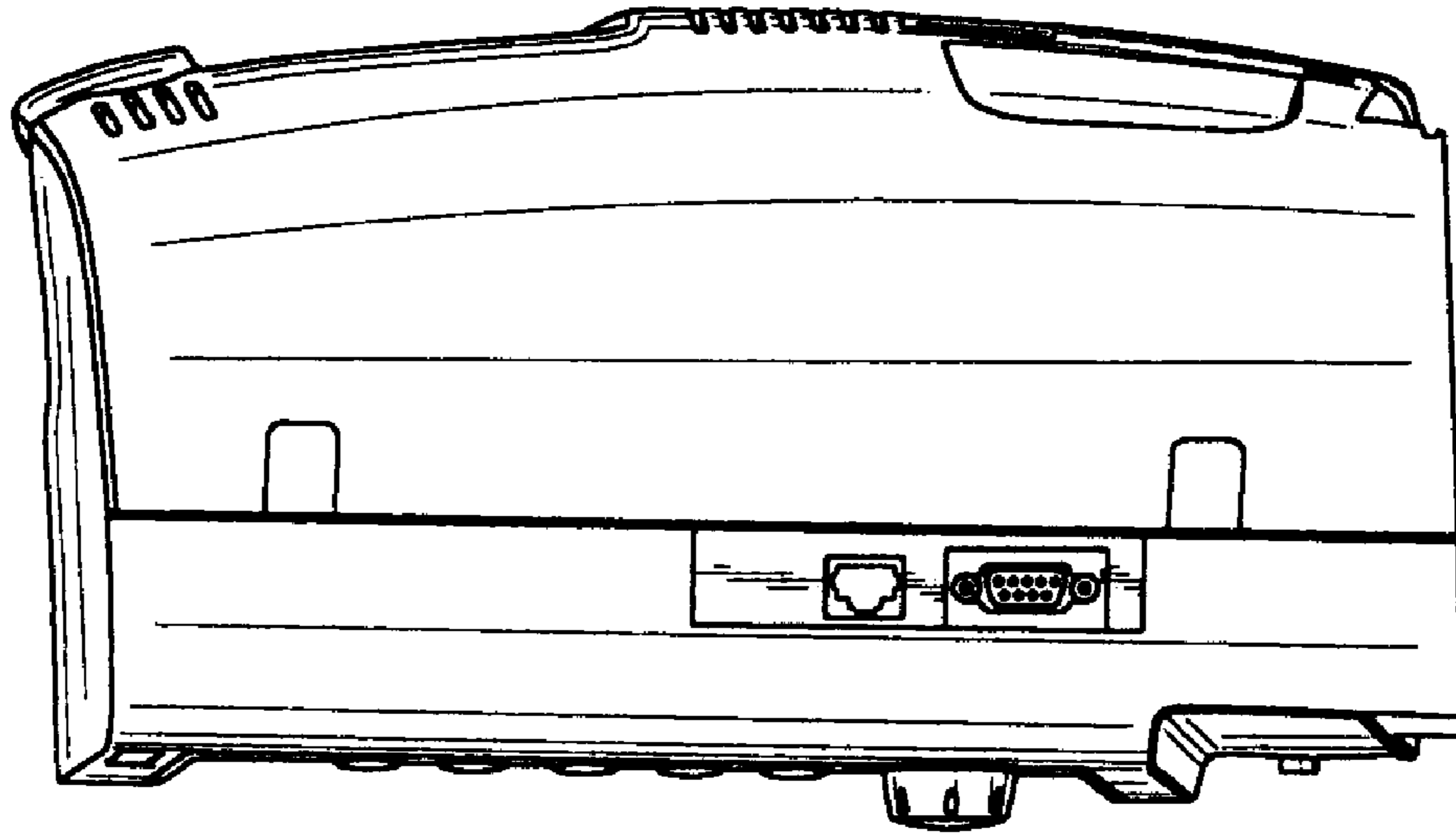


FIG. 5

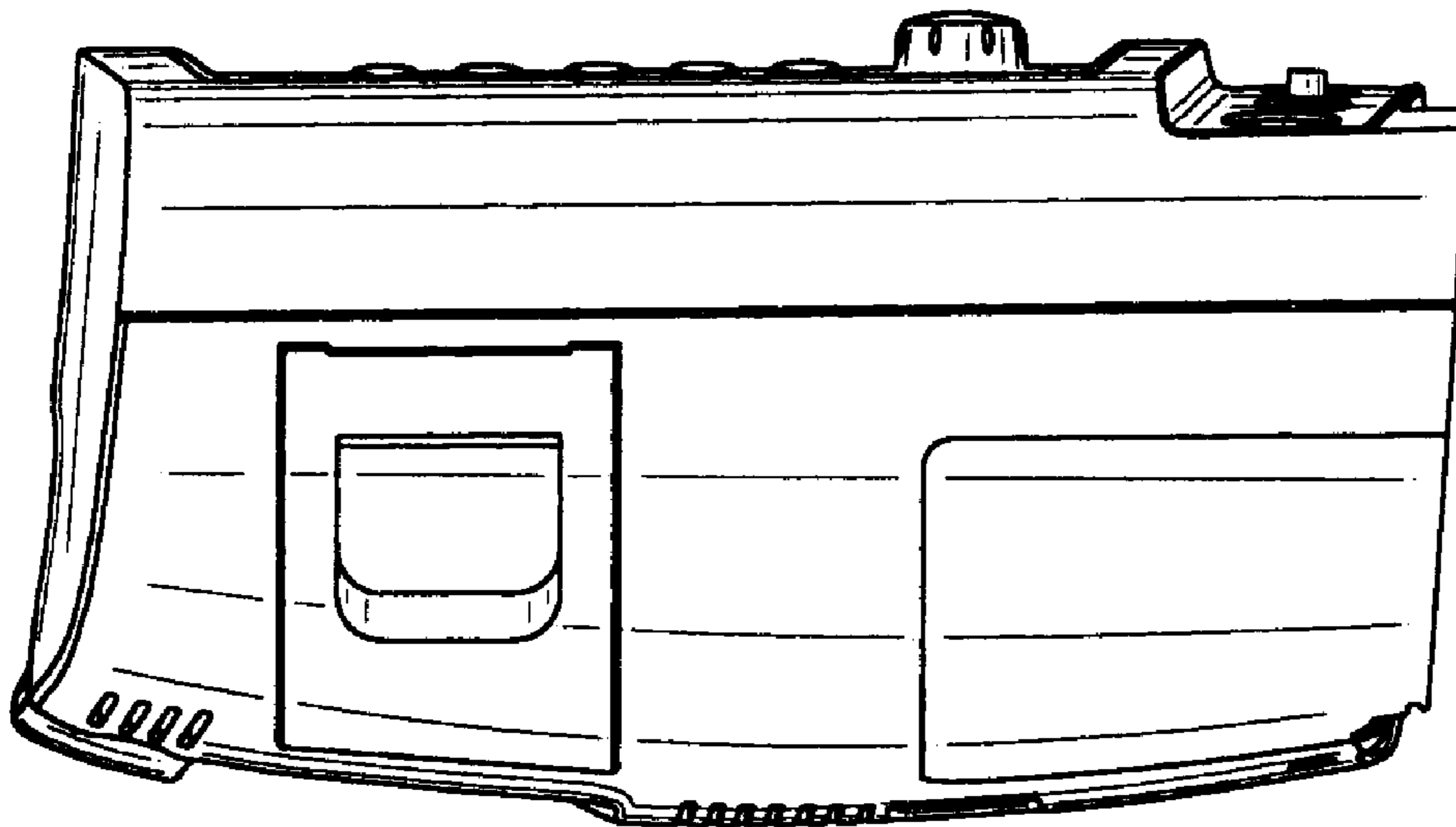


FIG. 4

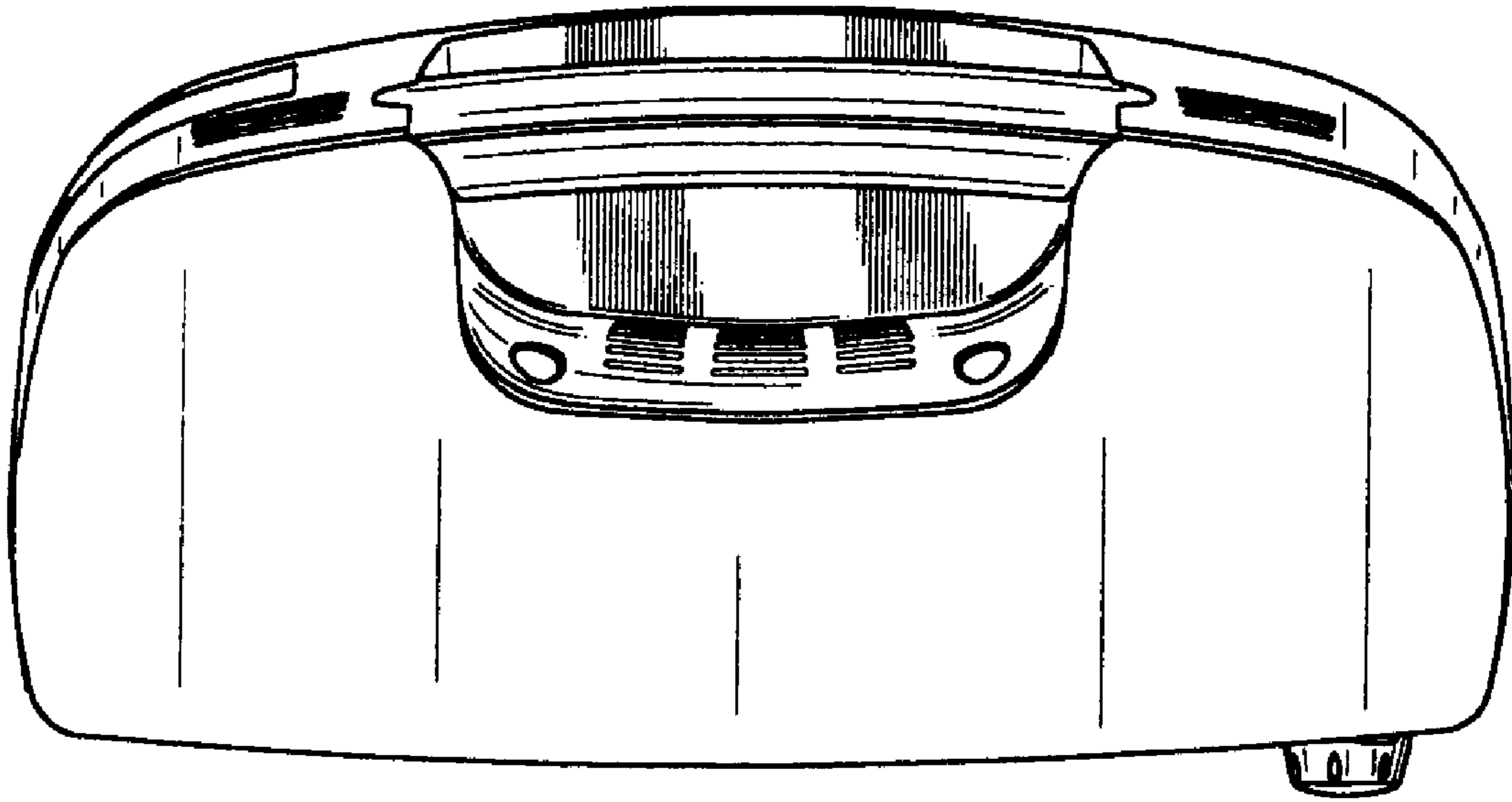


FIG. 6

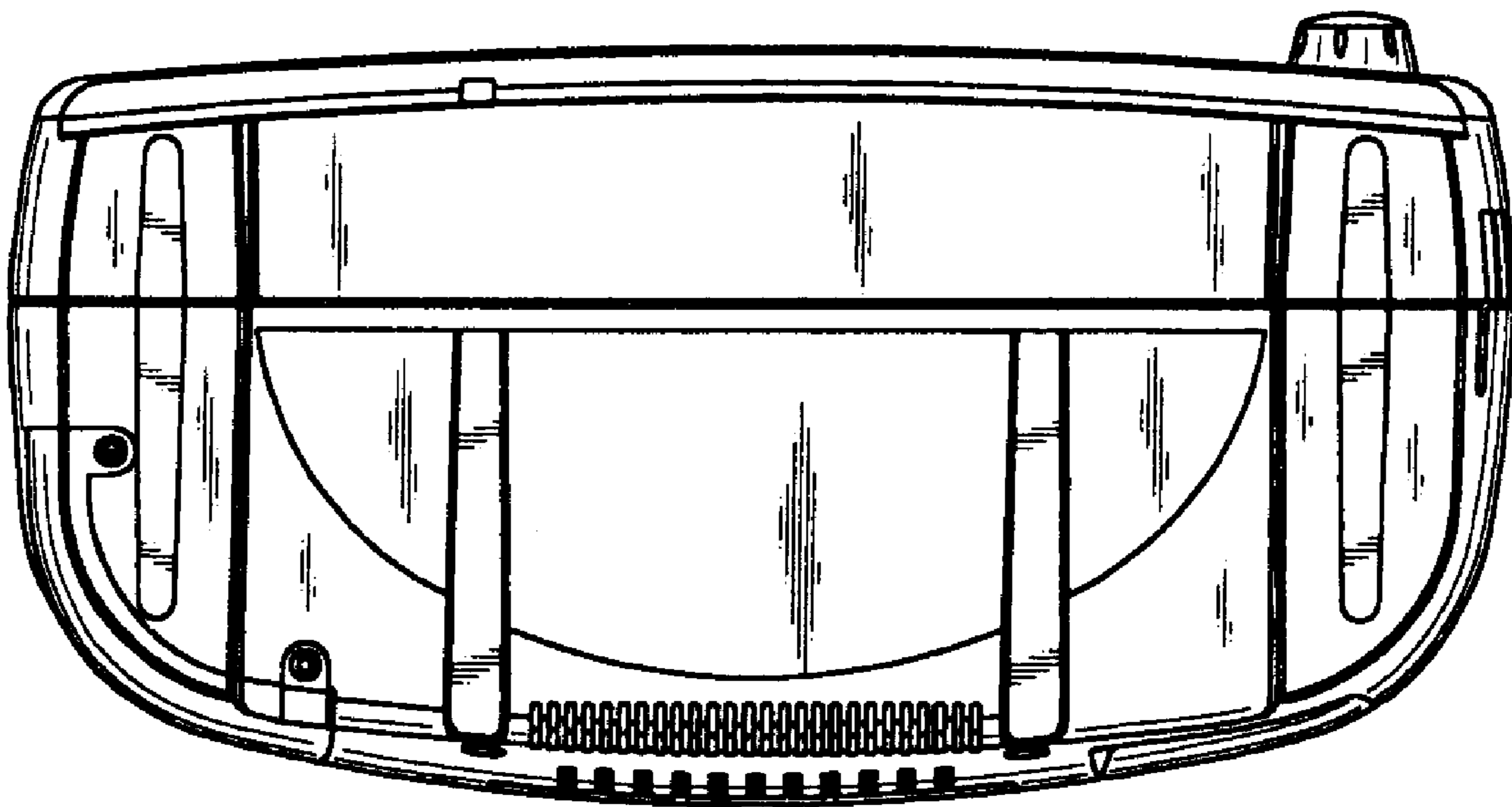


FIG. 7

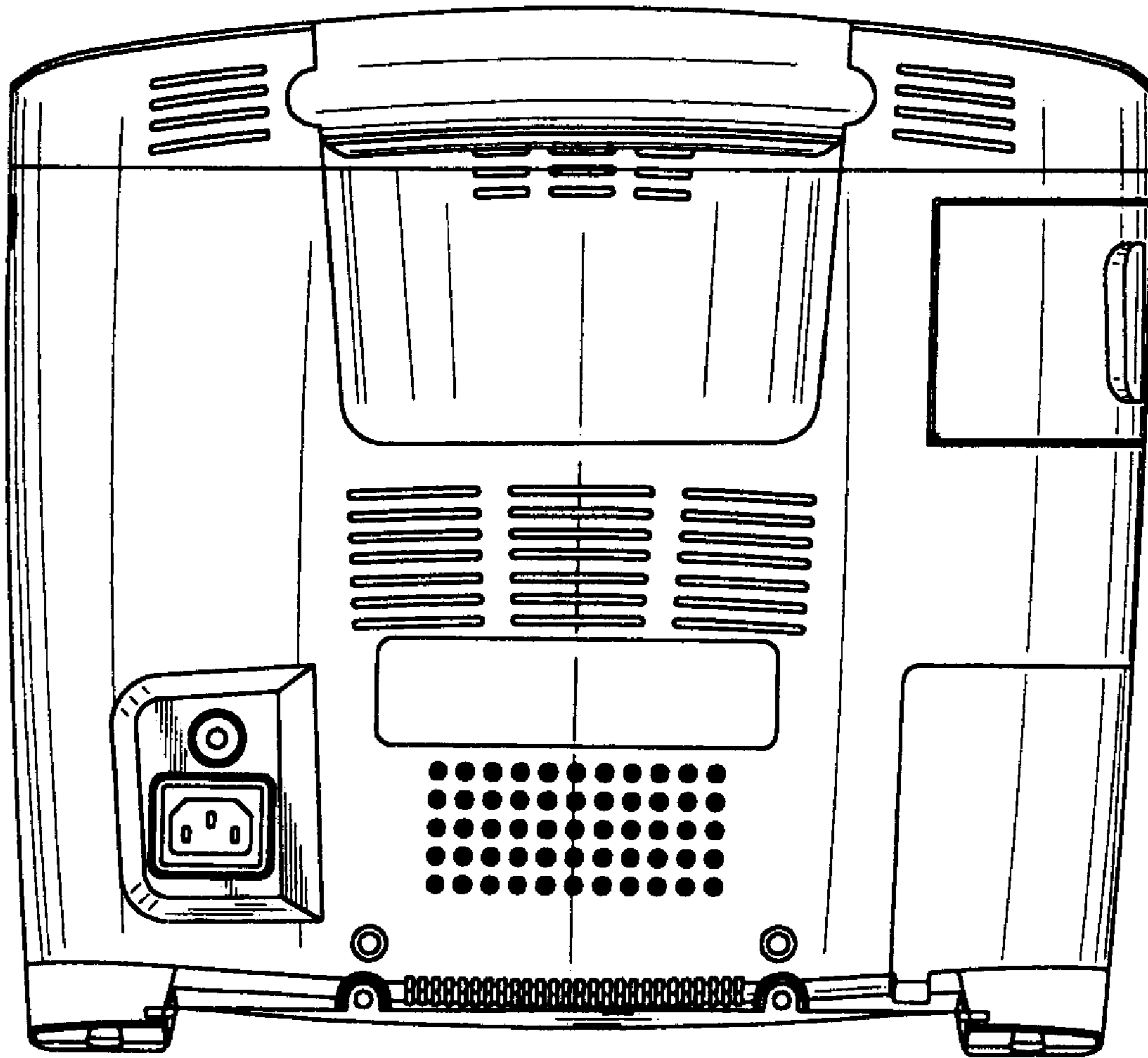


FIG.8