



US00D549827S

(12) **United States Design Patent**
Maeno et al.

(10) **Patent No.:** **US D549,827 S**

(45) **Date of Patent:** **** Aug. 28, 2007**

(54) **BLOOD ANALYZER**

D496,732 S * 9/2004 Nagai et al. D24/169
D508,999 S * 8/2005 Fanning et al. D24/216

(75) Inventors: **Akio Maeno**, Kyoto (JP); **Masaharu Matsumoto**, Kyoto (JP); **Yoshito Komada**, Kyoto (JP); **Hyosuke Yonezawa**, Kyoto (JP)

* cited by examiner

Primary Examiner—Louis S. Zarfes

Assistant Examiner—Anhdao Doan

(73) Assignee: **Horiba, Ltd.**, Kyoto (JP)

(**) Term: **14 Years**

(21) Appl. No.: **29/255,954**

(22) Filed: **Mar. 14, 2006**

(30) **Foreign Application Priority Data**

Sep. 16, 2005 (JP) D2005-026877

(51) **LOC (8) Cl.** **24-01**

(52) **U.S. Cl.** **D24/169**

(58) **Field of Classification Search** D24/169,
D24/186, 232; D10/81; 600/301, 316, 322,
600/324, 347, 365, 366, 368; 422/55, 61,
422/68.1; 436/66–68

See application file for complete search history.

(56) **References Cited**

U.S. PATENT DOCUMENTS

D339,639 S * 9/1993 Ohnuma et al. D24/232
D381,749 S * 7/1997 Lawrence et al. D24/169
D399,959 S * 10/1998 Prokop et al. D24/169
D402,369 S * 12/1998 Prokop et al. D24/169
D424,956 S * 5/2000 von Buelow et al. D10/81
D467,349 S * 12/2002 Niedbala et al. D24/232
D482,796 S * 11/2003 Oyama et al. D24/232

(57) **CLAIM**

We claim the ornamental design for the blood analyzer, as shown and described.

DESCRIPTION

FIG. 1 is a front elevational view of the blood analyzer of the present invention;

FIG. 2 is a rear elevational view of the blood analyzer;

FIG. 3 is a top plan view of the blood analyzer;

FIG. 4 is a bottom plan view of the blood analyzer;

FIG. 5 is a right side elevational view of the blood analyzer;

FIG. 6 is a left side elevational view of the blood analyzer;

FIG. 7 is a cross sectional view of the blood analyzer taken along line 7—7 in FIG. 1 thereof;

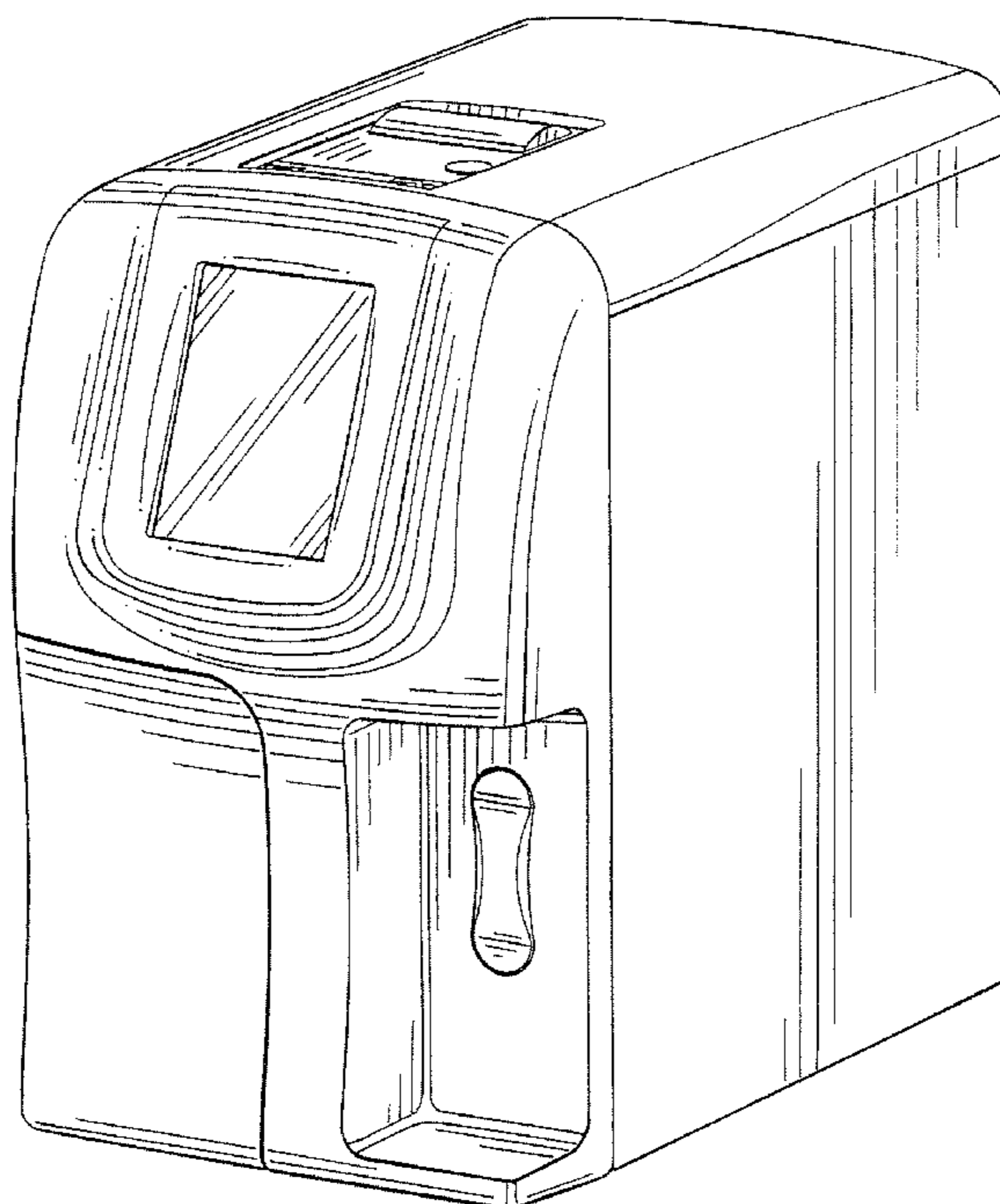
FIG. 8 is a cross sectional view of the blood analyzer taken along line 8—8 in FIG. 1 thereof;

FIG. 9 is a cross sectional view of the blood analyzer taken along line 9—9 in FIG. 5 thereof;

FIG. 10 is a cross sectional view of the blood analyzer taken along line 10—10 in FIG. 5 thereof; and,

FIG. 11 is a top, front and right perspective view thereof.

1 Claim, 11 Drawing Sheets



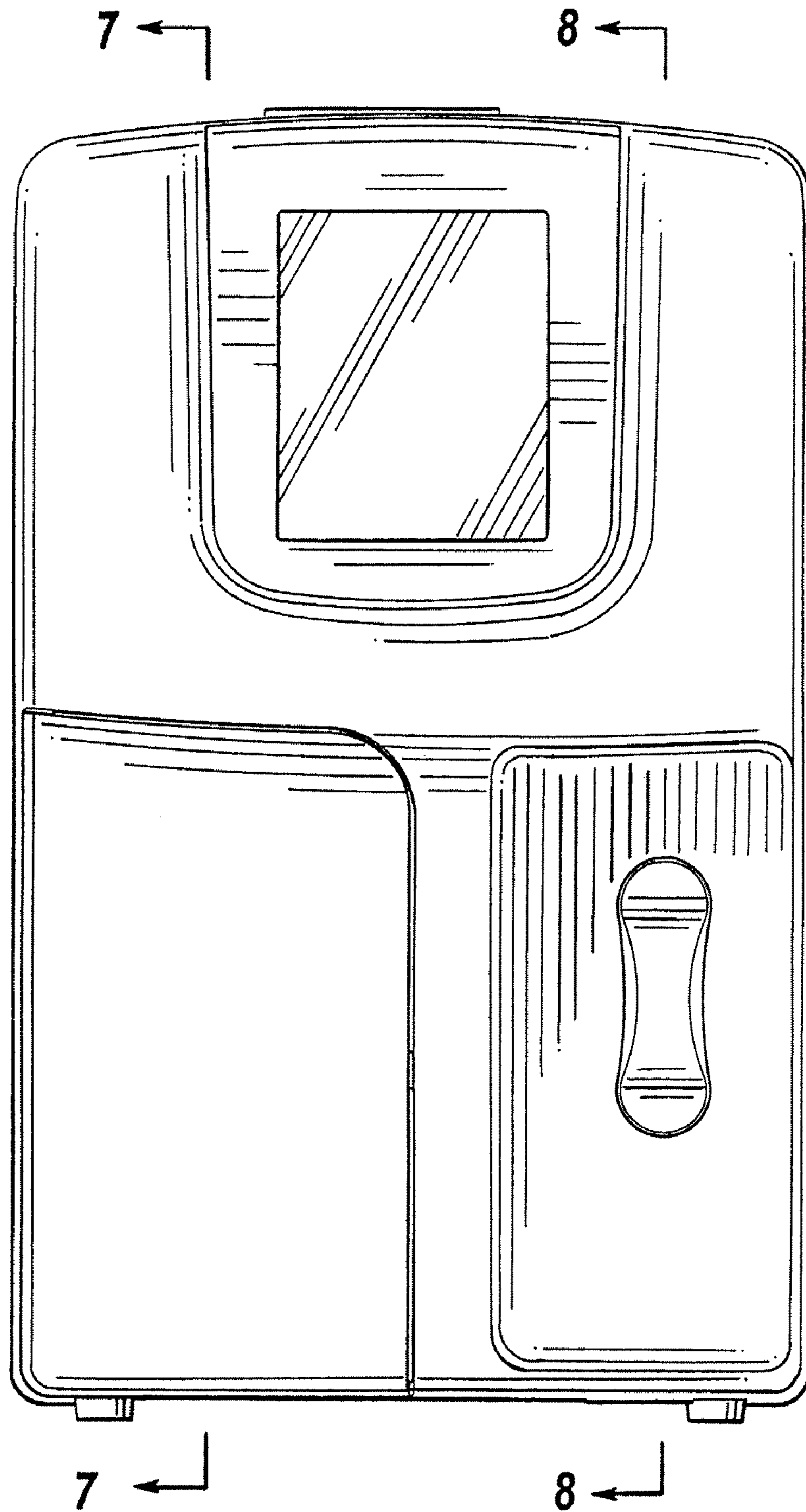


FIG. 1

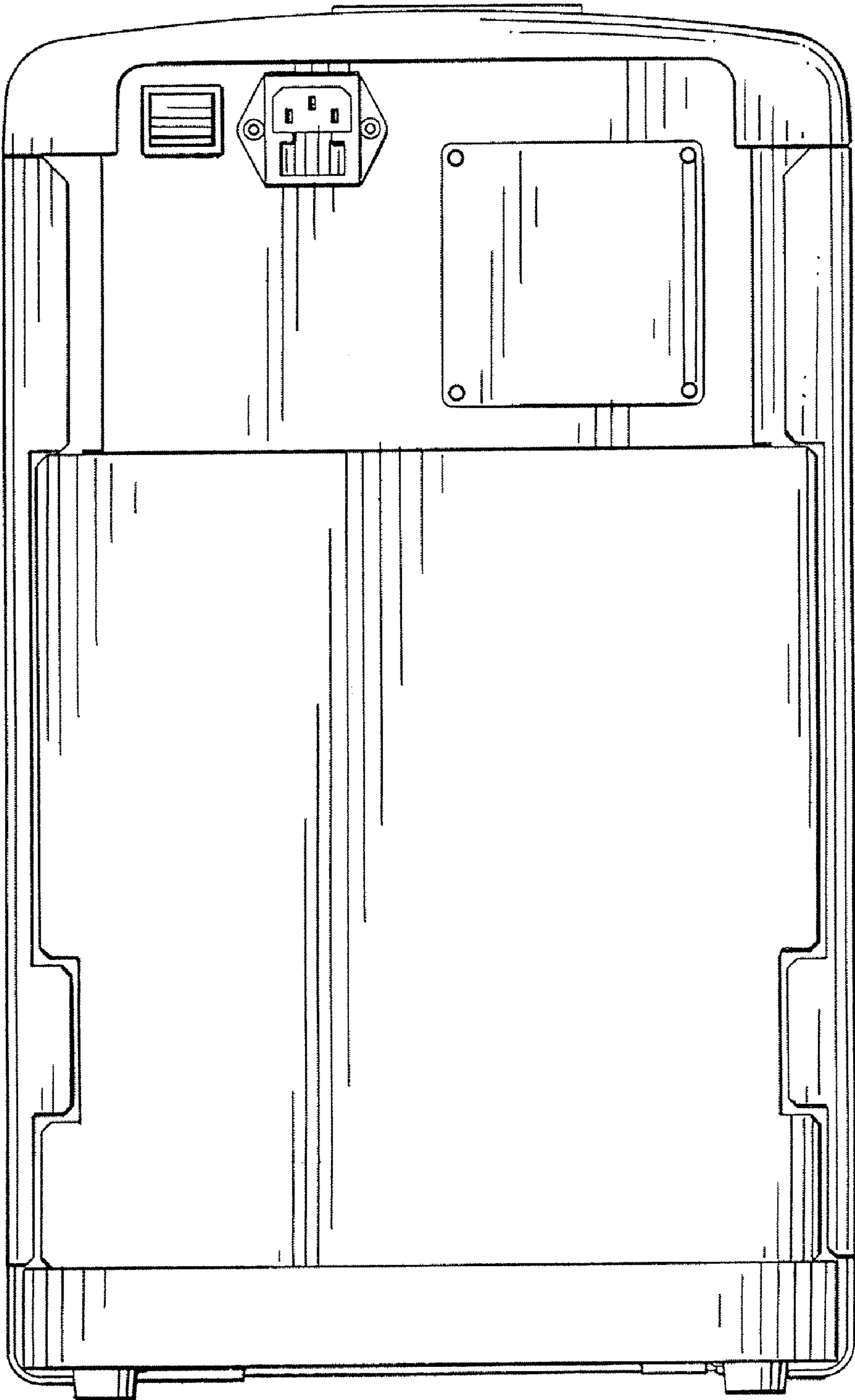


FIG. 2

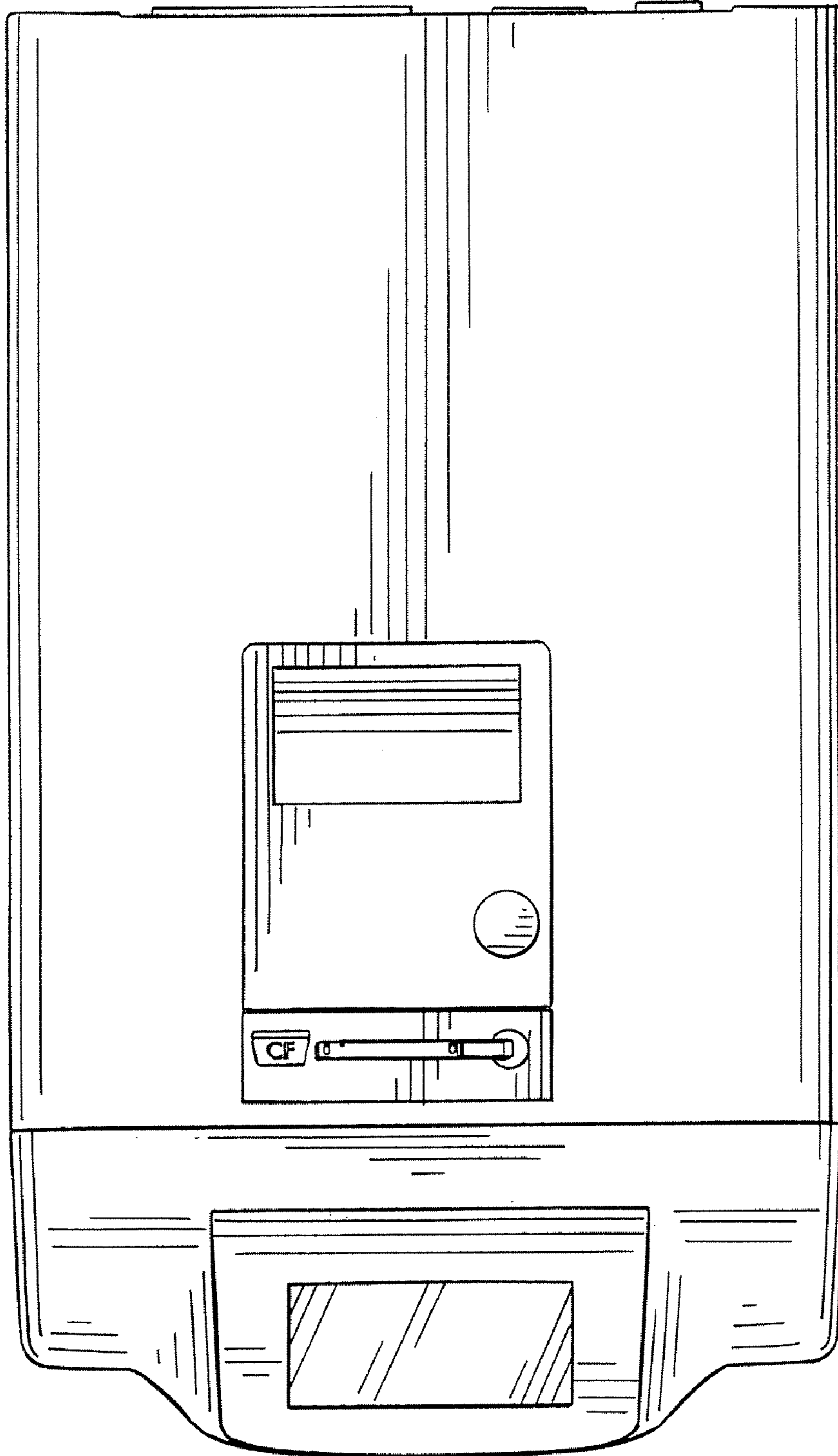


FIG. 3

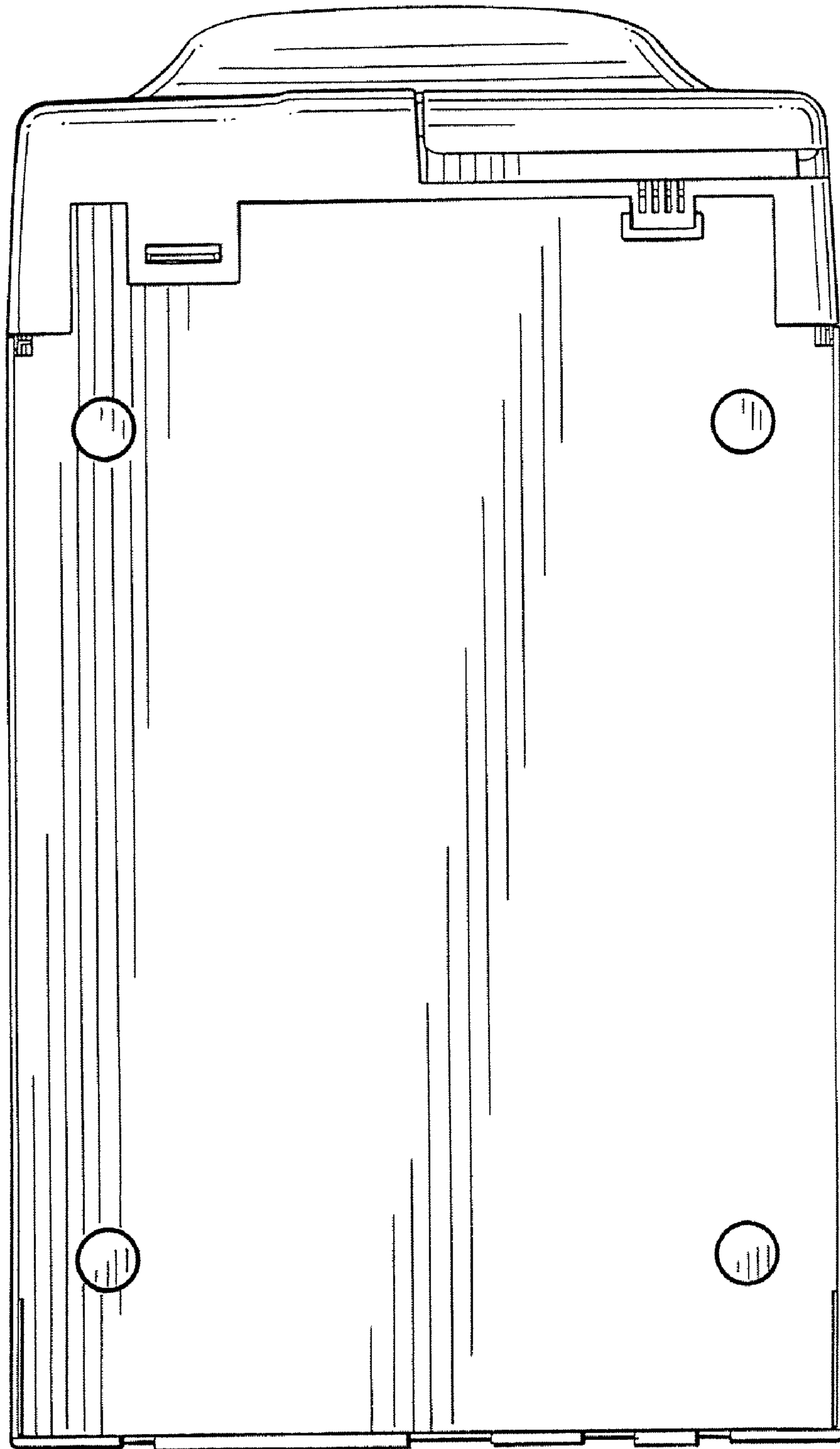


FIG. 4

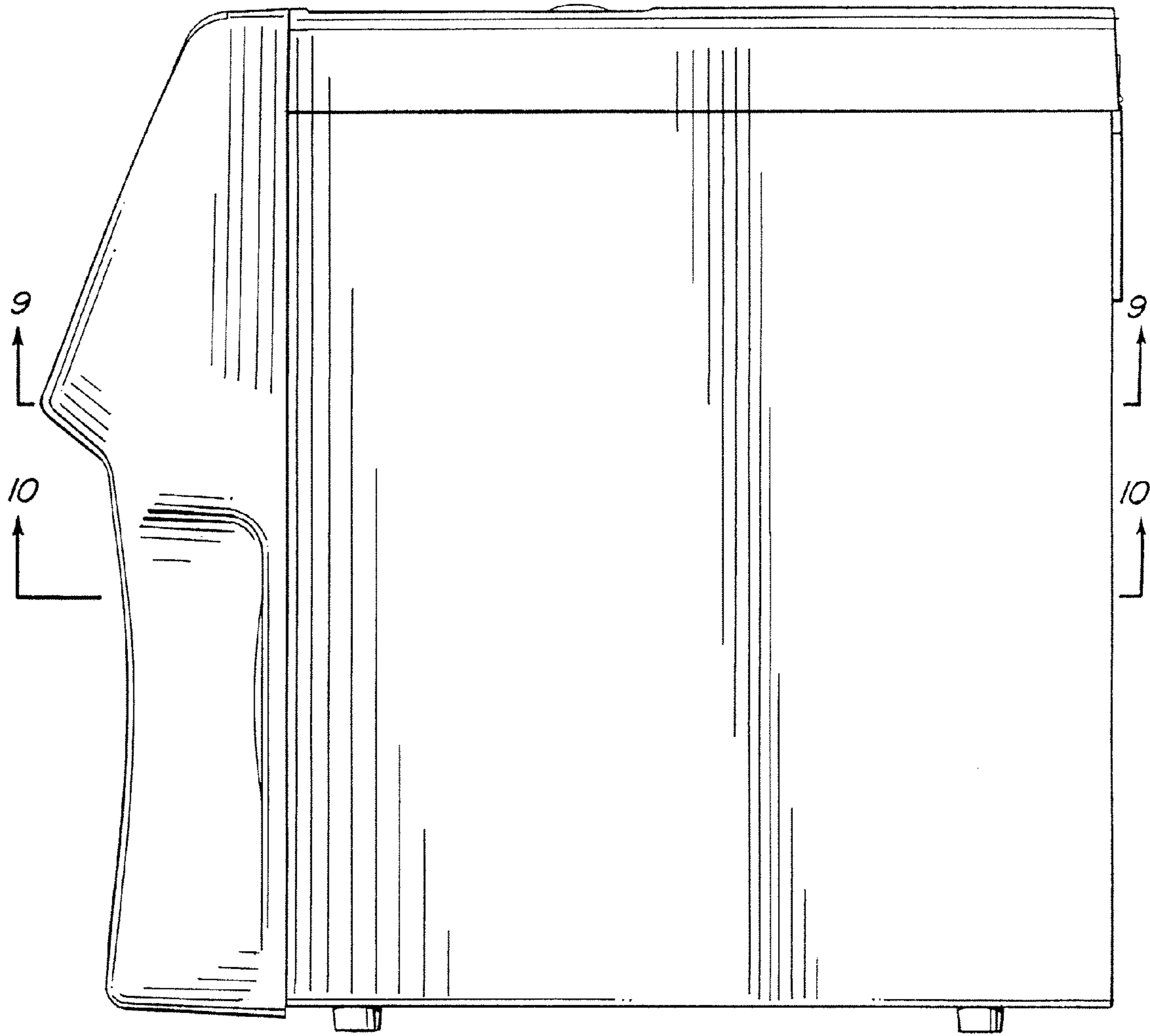


FIG. 5

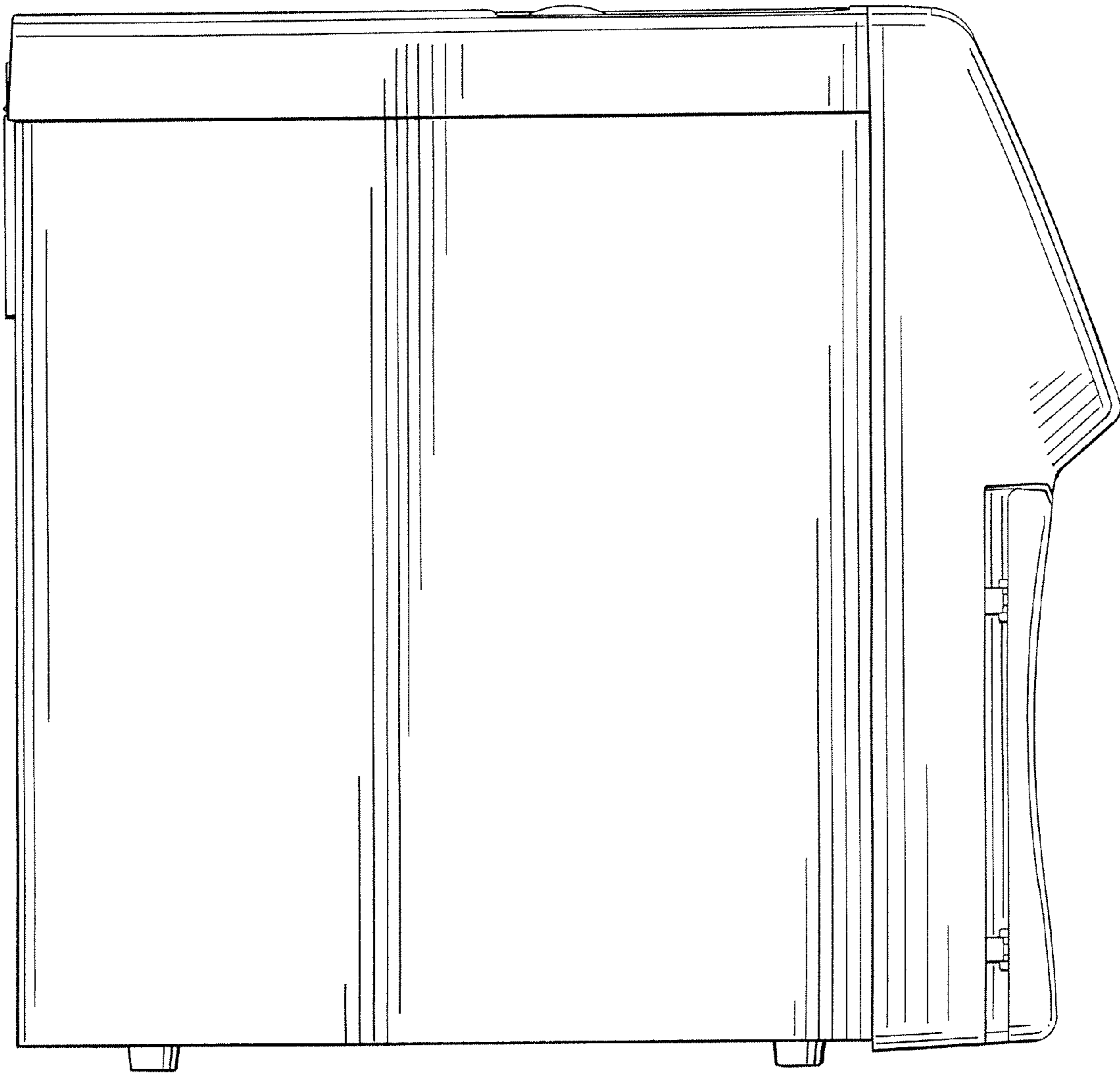


FIG. 6

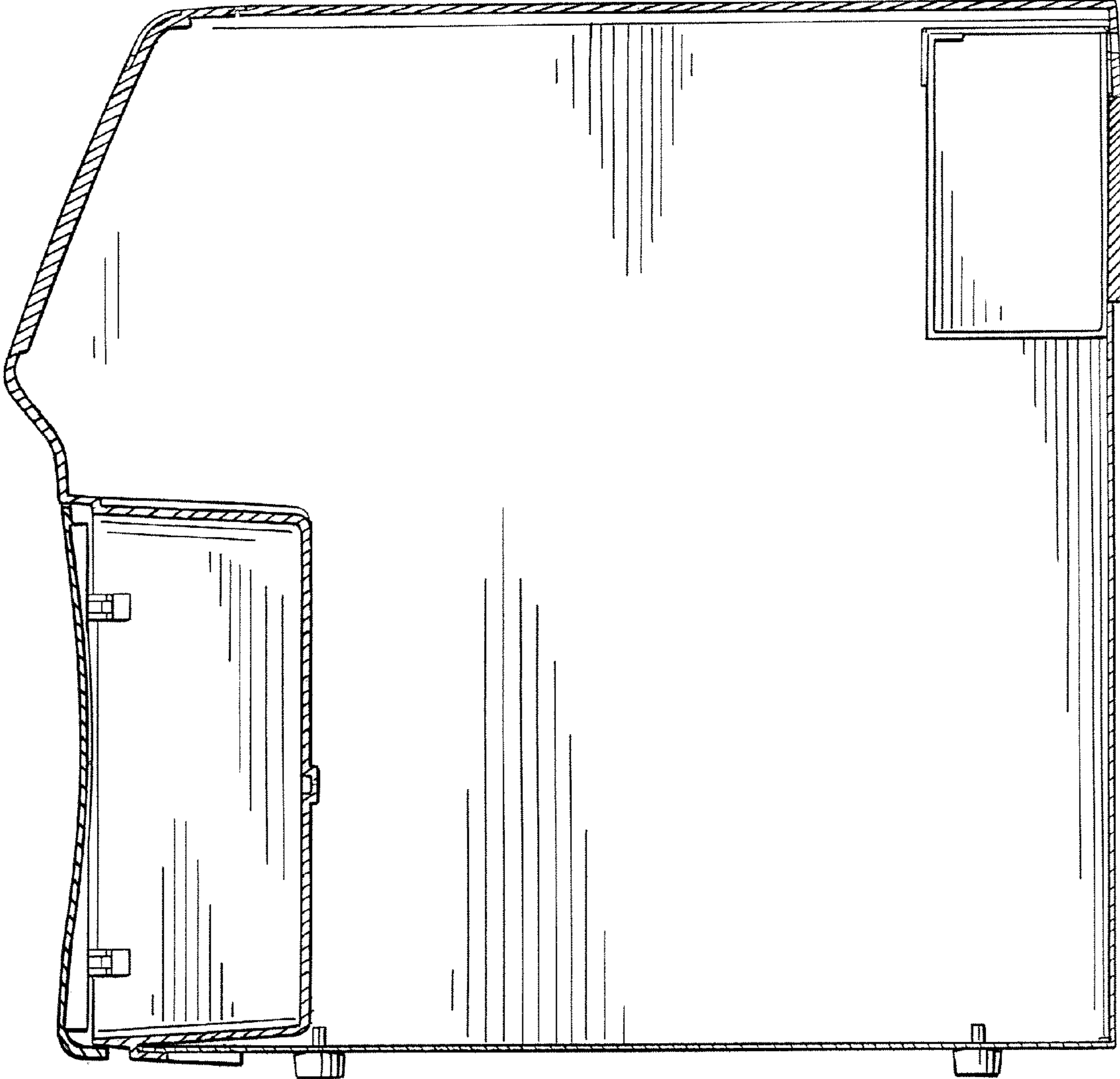


FIG. 7

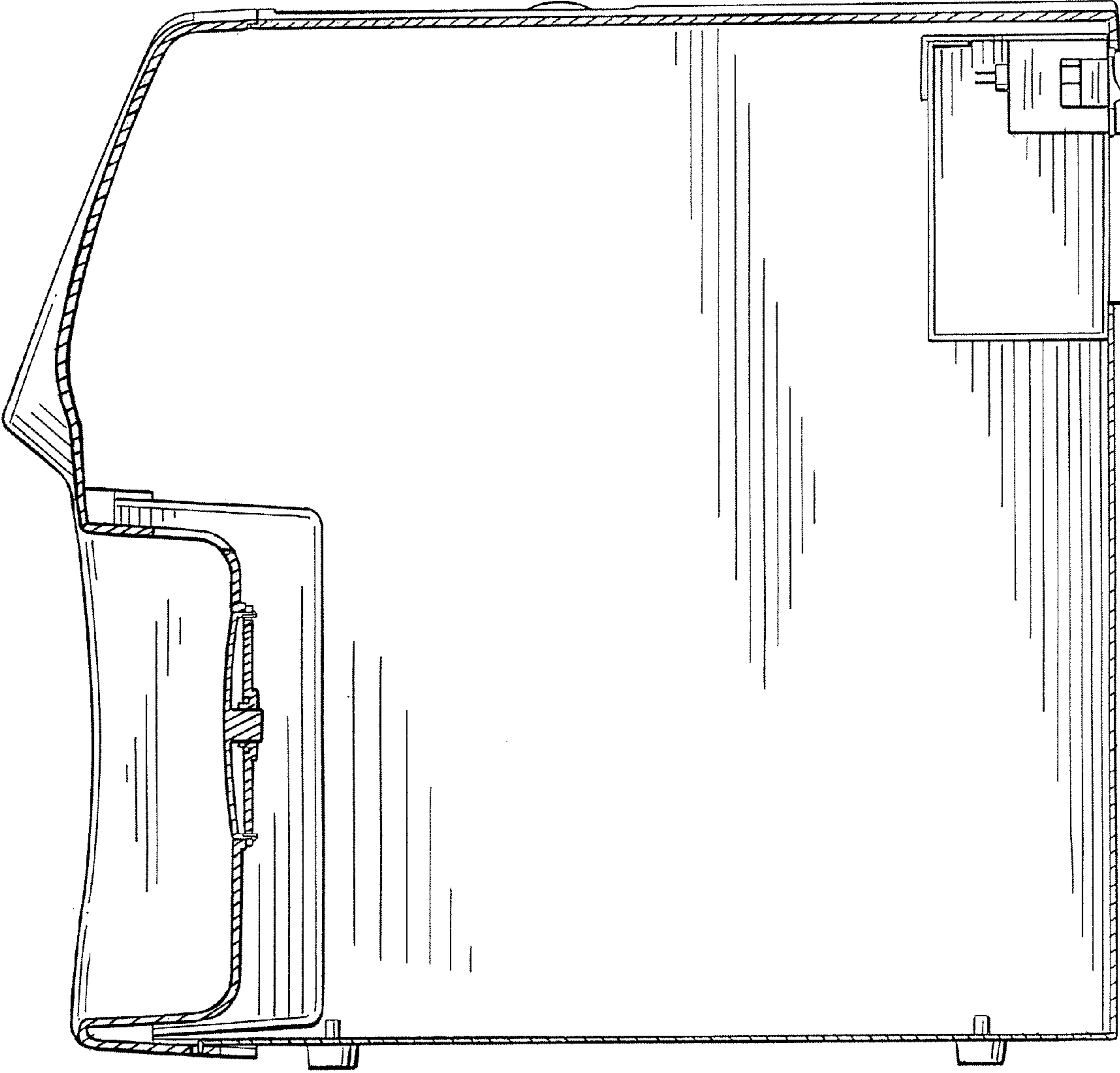


FIG. 8

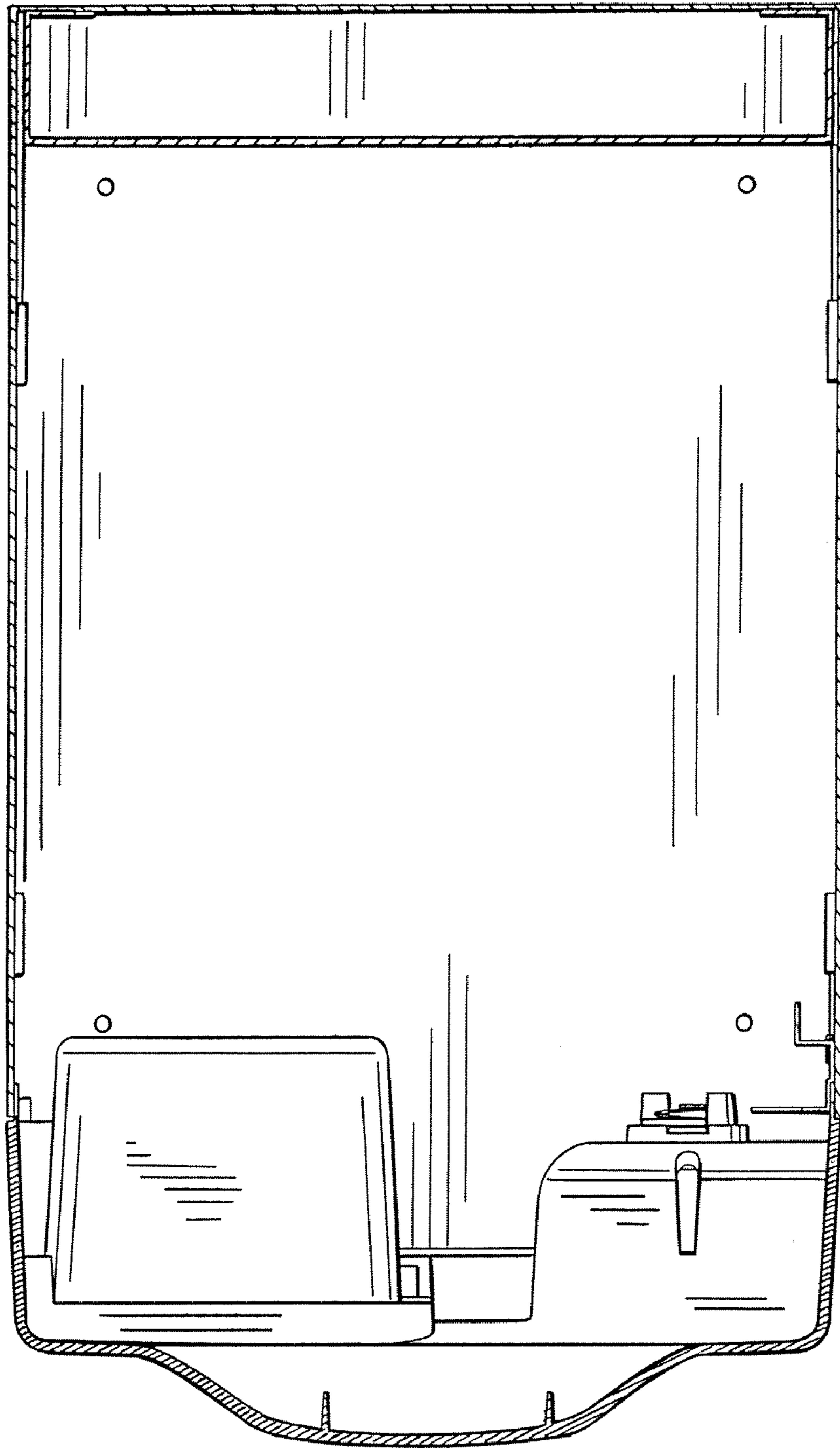


FIG. 9

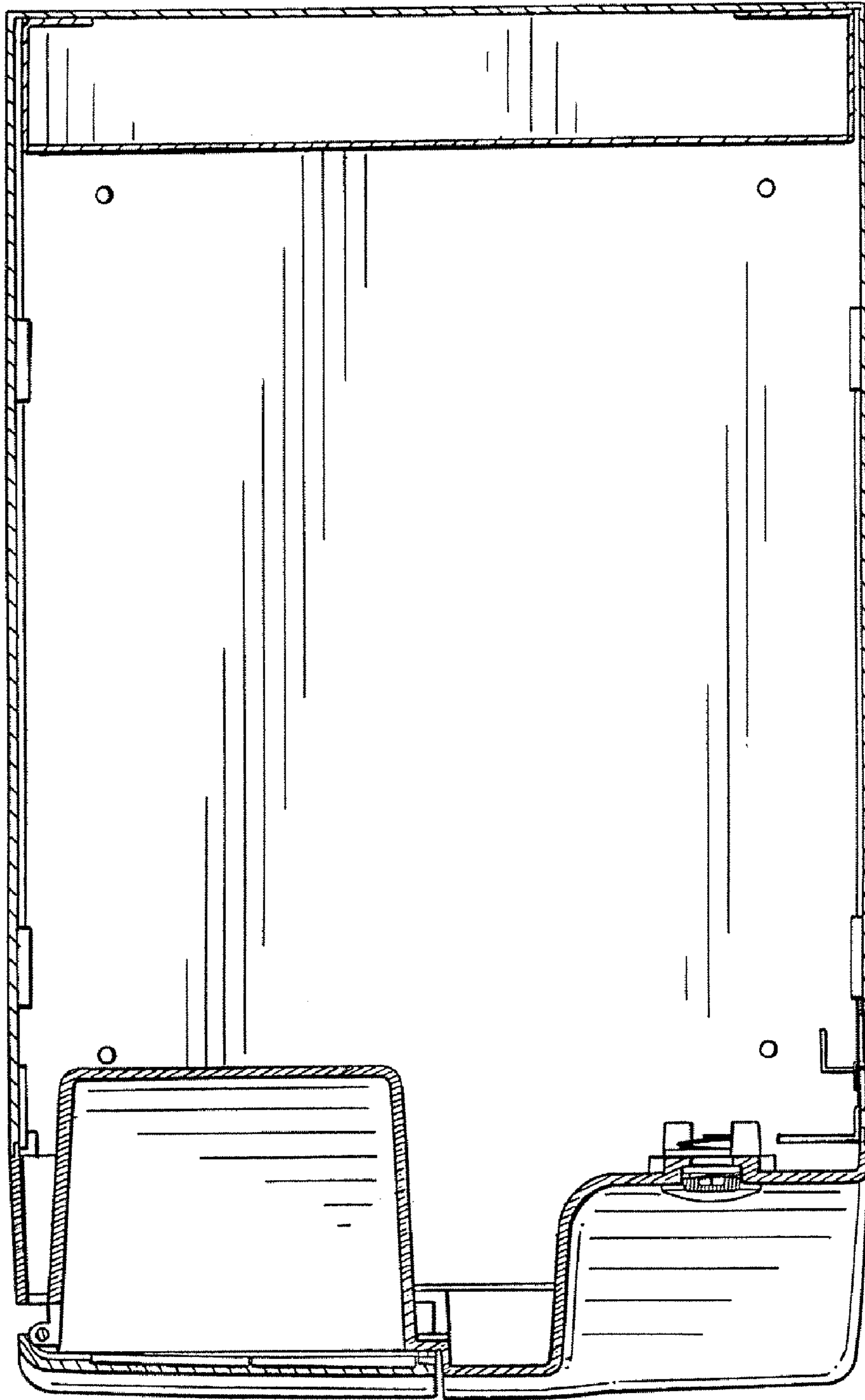


FIG. 10

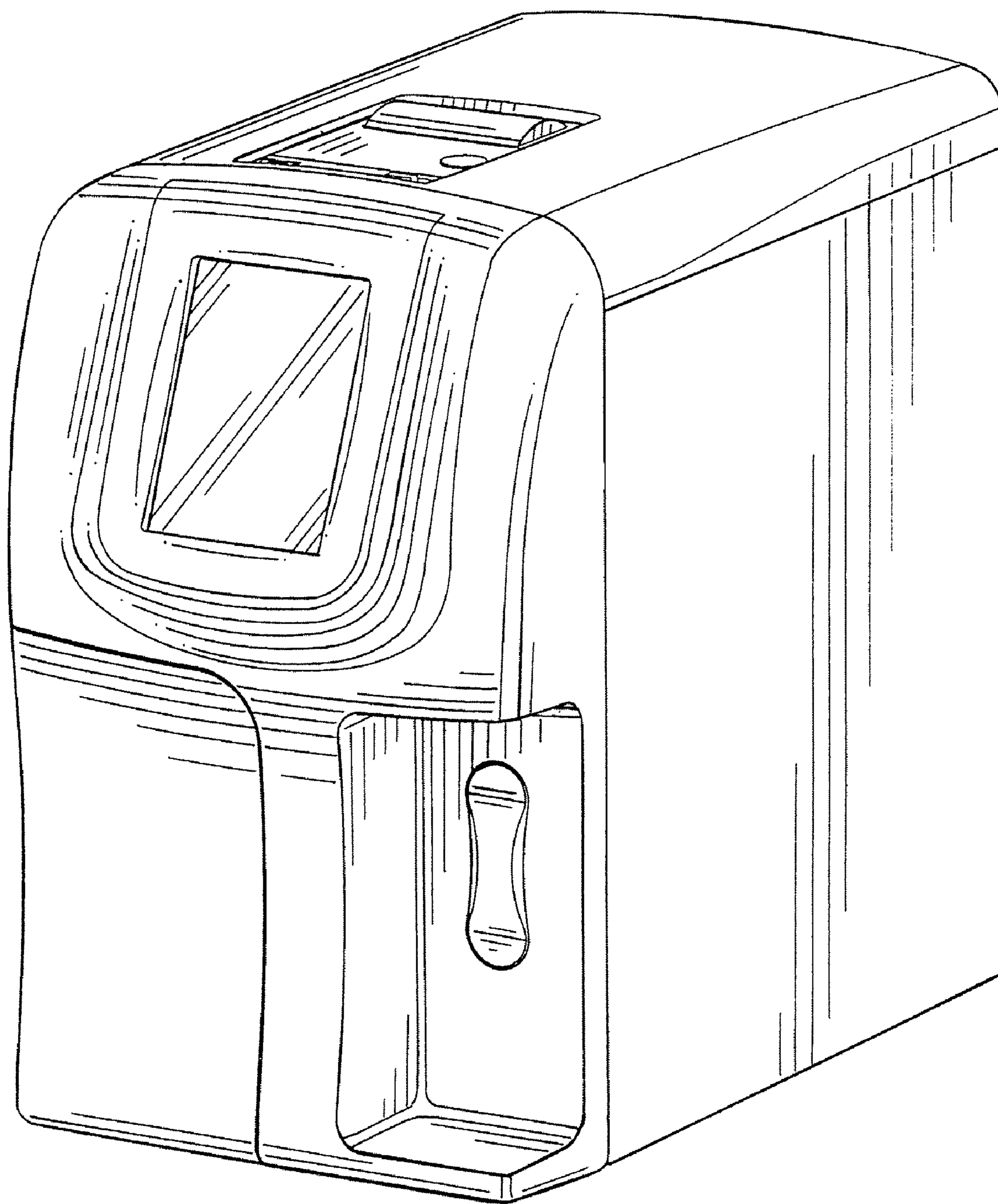


FIG. 11