

US00D549826S

(12) **United States Design Patent**  
**Aoki et al.**

(10) **Patent No.: US D549,826 S**

(45) **Date of Patent: \*\* Aug. 28, 2007**

(54) **MAGNETIC FIELD GENERATING DEVICE  
FOR USE IN MAGNETIC RESONANCE  
IMAGING**

JP 2004-041715 2/2004

**OTHER PUBLICATIONS**

(75) Inventors: **Masaaki Aoki**, Mishima (JP); **Tsuyoshi  
Tsuzaki**, Mishima (JP)

Printout from the website of ESAOTE, "Product overview of  
E-Scan XQ".

Printout from the website of Odin Medical Technologies, "Tool  
Manufacturers".

(73) Assignee: **Neomax Co., Ltd.** (JP)

Printout from the website of The University of Hong Kong, "Low  
Field mobile MRI System".

(\*\*) Term: **14 Years**

\* cited by examiner

(21) Appl. No.: **29/226,543**

*Primary Examiner*—Lou Zarfaz

*Assistant Examiner*—Anhdao Doan

(22) Filed: **Mar. 30, 2005**

(74) *Attorney, Agent, or Firm*—Ostrolenk, Faber, Gerb &  
Soffen, LLP

(30) **Foreign Application Priority Data**

Nov. 9, 2004 (JP) ..... D2004-034094

Nov. 9, 2004 (JP) ..... D2004-034095

(51) **LOC (8) Cl.** ..... **24-01**

(52) **U.S. Cl.** ..... **D24/158**

(58) **Field of Classification Search** ..... D24/158–161,  
D24/183; 378/178–190, 193, 195–198, 208,  
378/209, 10, 11, 37–39; 600/409, 410; 335/216,  
335/229; 324/318, 309

See application file for complete search history.

(57) **CLAIM**

The ornamental design for a magnetic field generating  
device for use in magnetic resonance imaging, as shown and  
described.

**DESCRIPTION**

FIG. 1 is a perspective view of a magnetic field generating  
device for use in magnetic resonance imaging showing a  
first embodiment of our new design;

FIG. 2 is a front view thereof, the opposite side being a  
mirror image of the side shown herein;

FIG. 3 is a left side view thereof, the opposite side being a  
mirror image of the side shown herein;

FIG. 4 is a top view thereof;

FIG. 5 is a bottom view thereof;

FIG. 6 is a perspective view of a magnetic field generating  
device for use in magnetic resonance imaging showing a  
second embodiment of our new design;

FIG. 7 is a front view thereof, the opposite side being a  
mirror image of the side shown herein;

FIG. 8 is a left side view thereof, the opposite side being a  
mirror image of the side shown herein;

FIG. 9 is a top view thereof; and,

FIG. 10 is a bottom view thereof.

(56) **References Cited**

**U.S. PATENT DOCUMENTS**

4,829,252	A *	5/1989	Kaufman	.....	324/309
5,144,241	A *	9/1992	Oppelt et al.	.....	324/318
5,696,476	A *	12/1997	Havens et al.	.....	335/216
D408,915	S *	4/1999	Ogiwara	.....	D24/158
5,935,065	A *	8/1999	Rose et al.	.....	600/421
D427,685	S *	7/2000	Danby et al.	.....	D24/158
D428,151	S *	7/2000	Danby et al.	.....	D24/158
D438,619	S *	3/2001	Okada et al.	.....	D24/158
D461,249	S *	8/2002	Tsuzaki et al.	.....	D24/158
6,650,214	B2 *	11/2003	Aoki et al.	.....	335/299
D513,533	S *	1/2006	Iwasaki et al.	.....	D24/158
7,003,344	B2 *	2/2006	Bolas et al.	.....	600/410
7,057,389	B2 *	6/2006	Kamimura et al.	.....	324/318

**FOREIGN PATENT DOCUMENTS**

JP 11-099139 4/1999

**1 Claim, 6 Drawing Sheets**

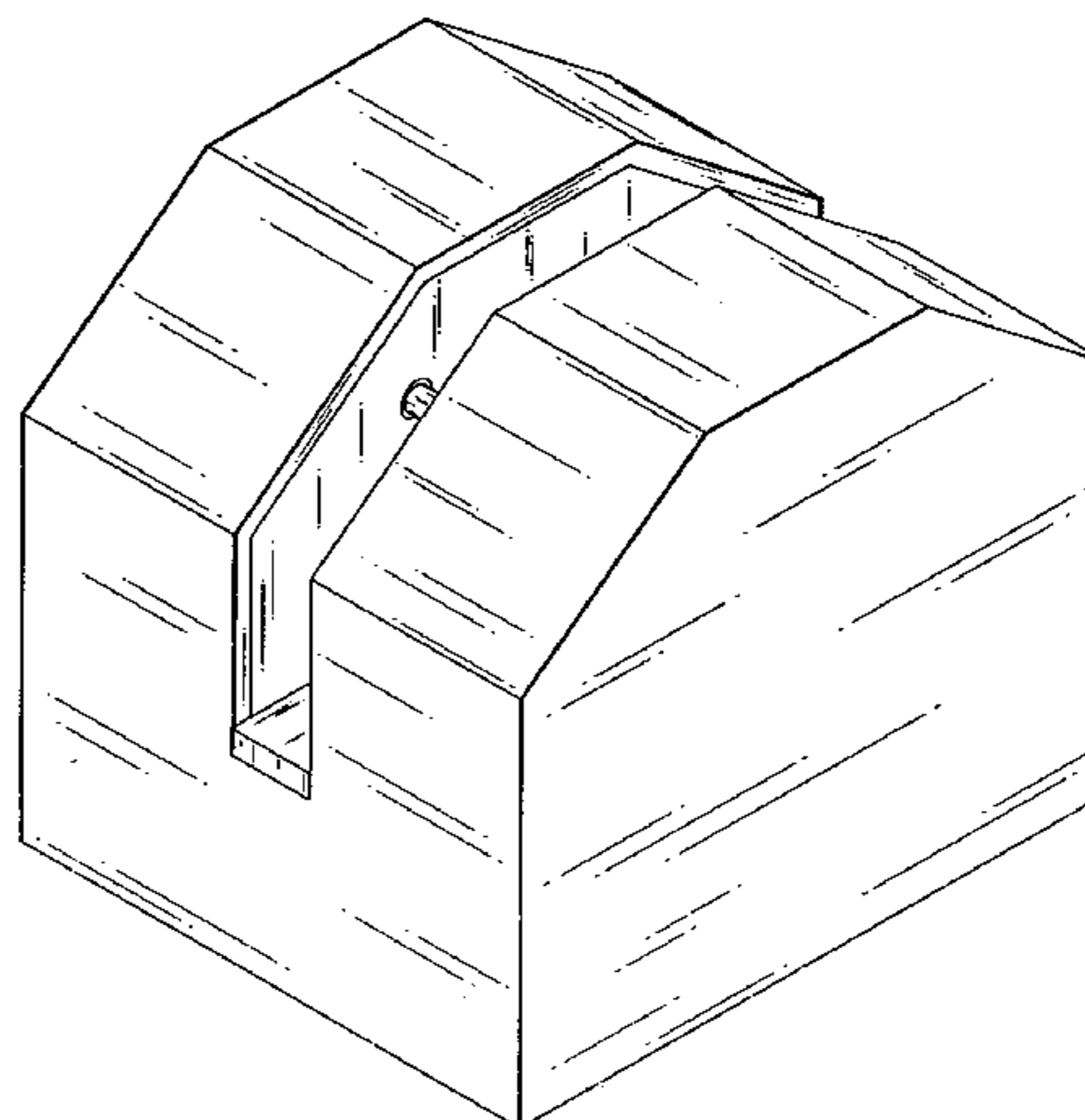
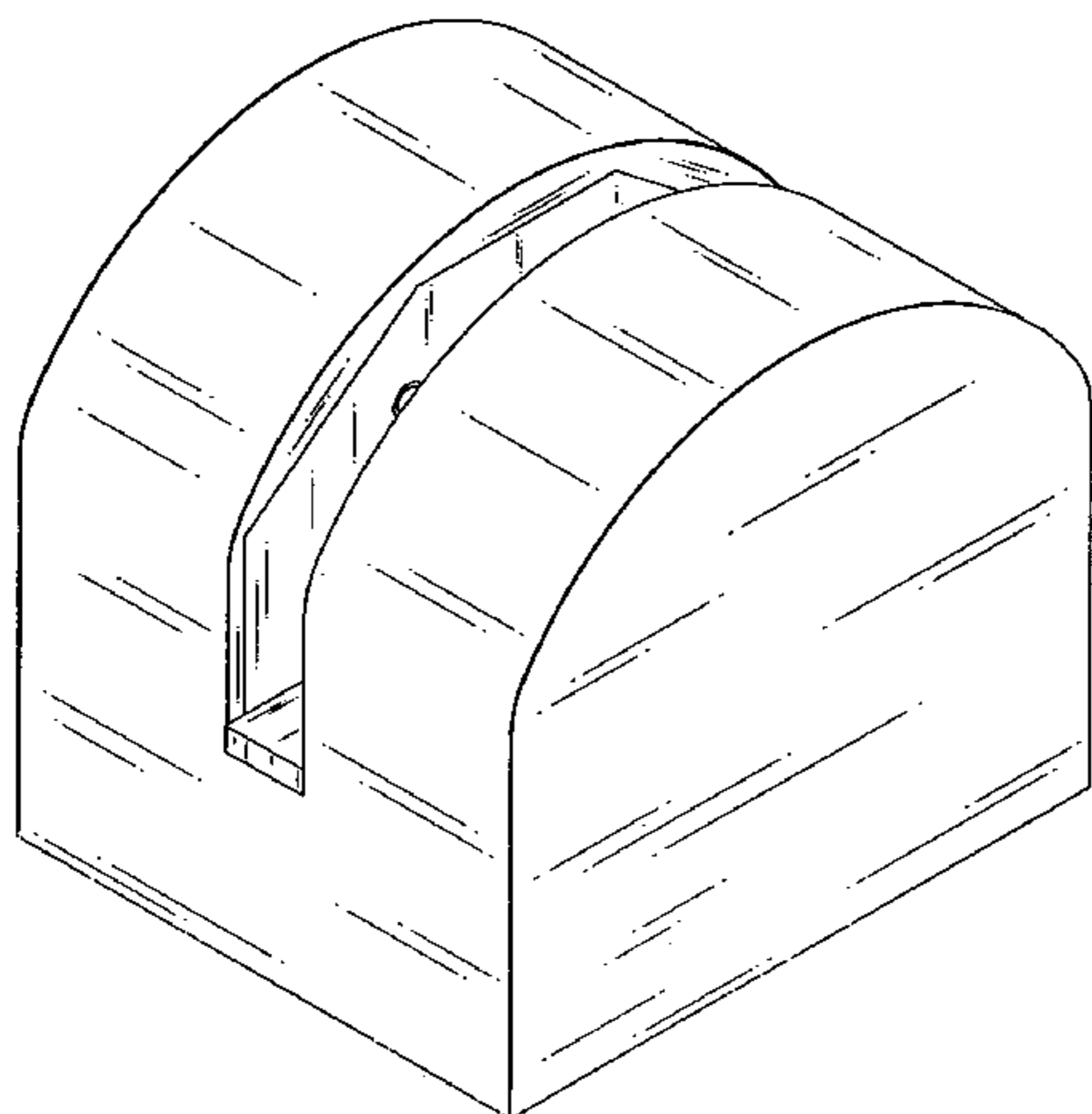


Fig.1

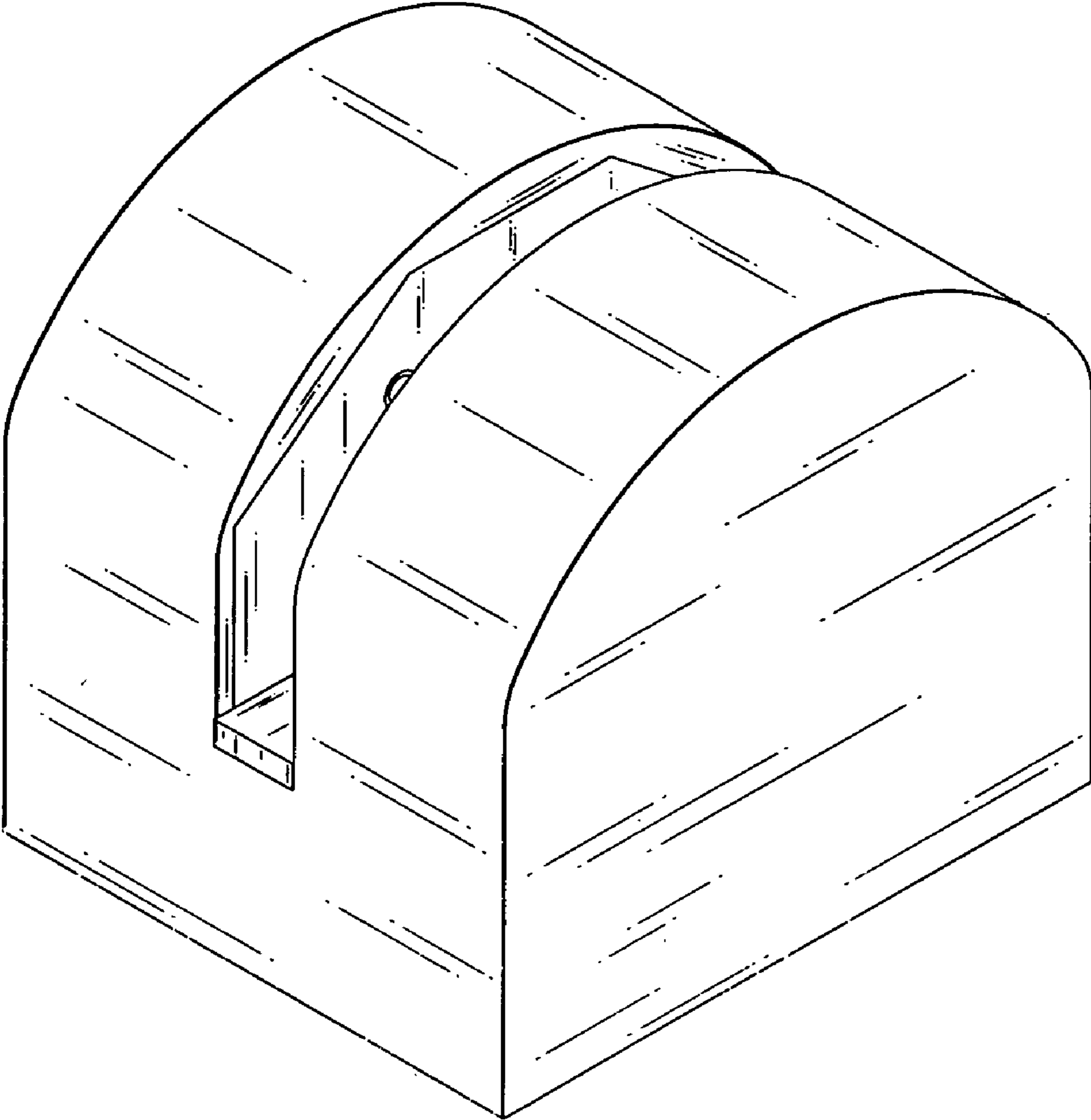


Fig.2

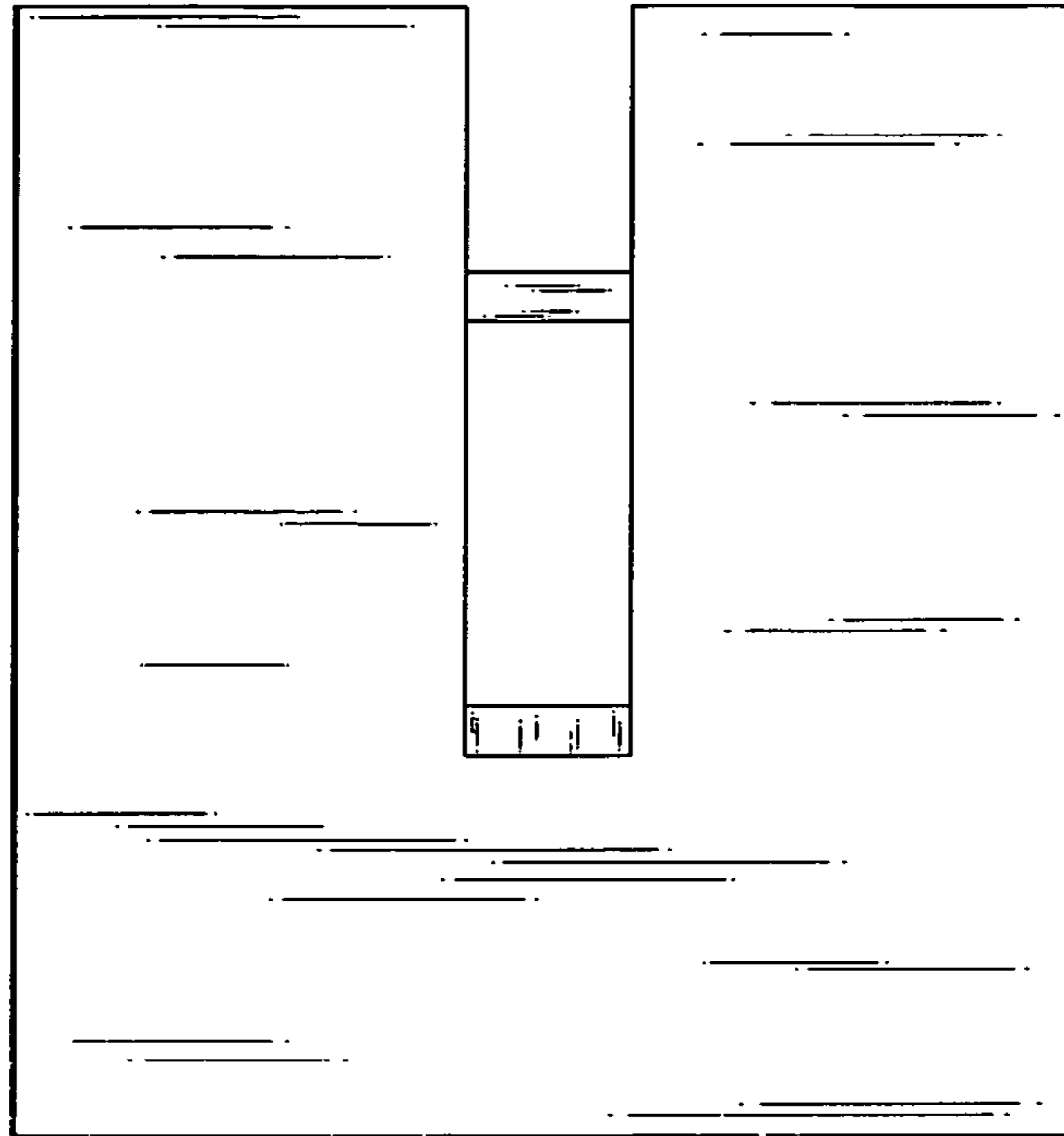


Fig.3

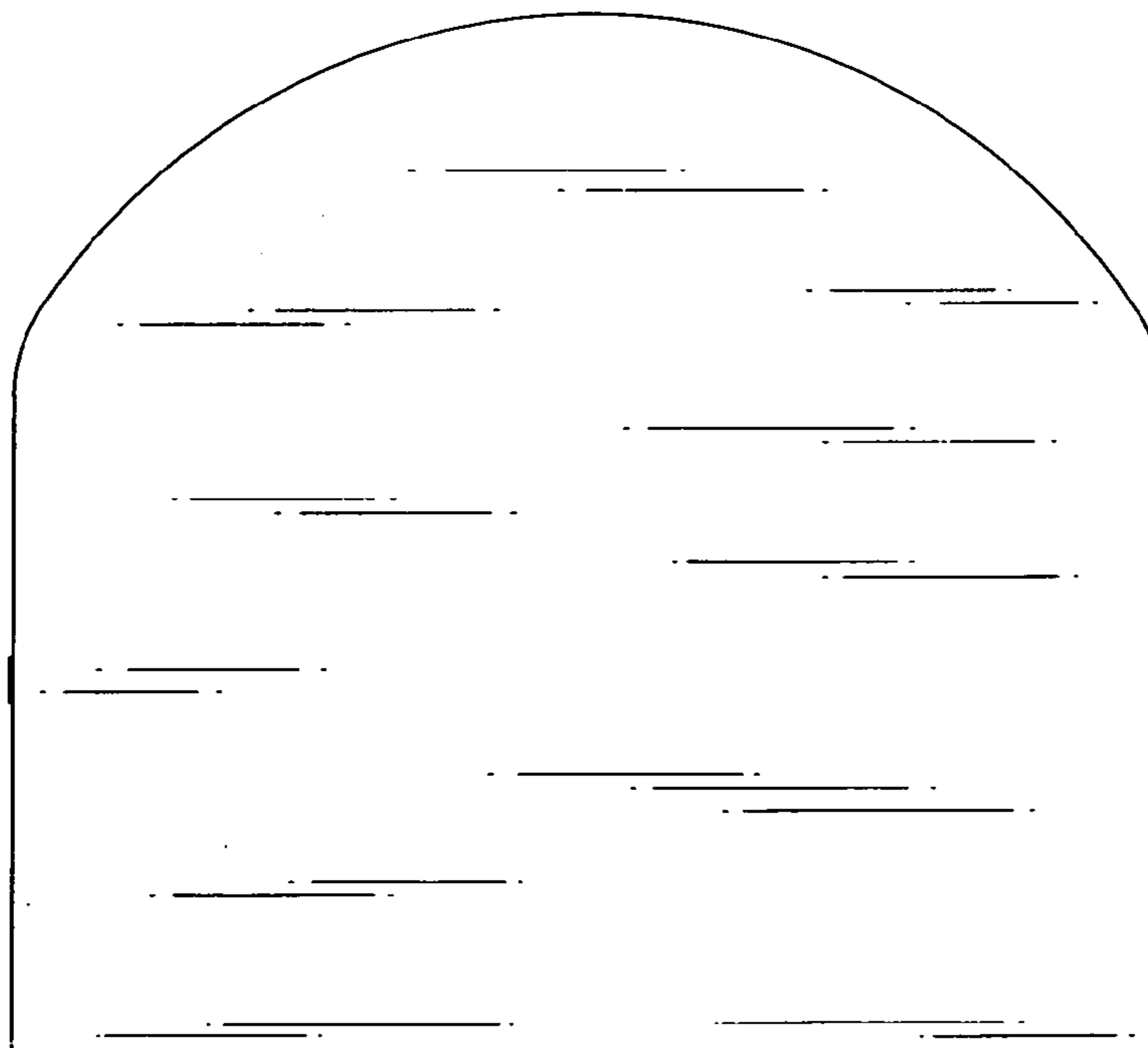


Fig.4



Fig.5

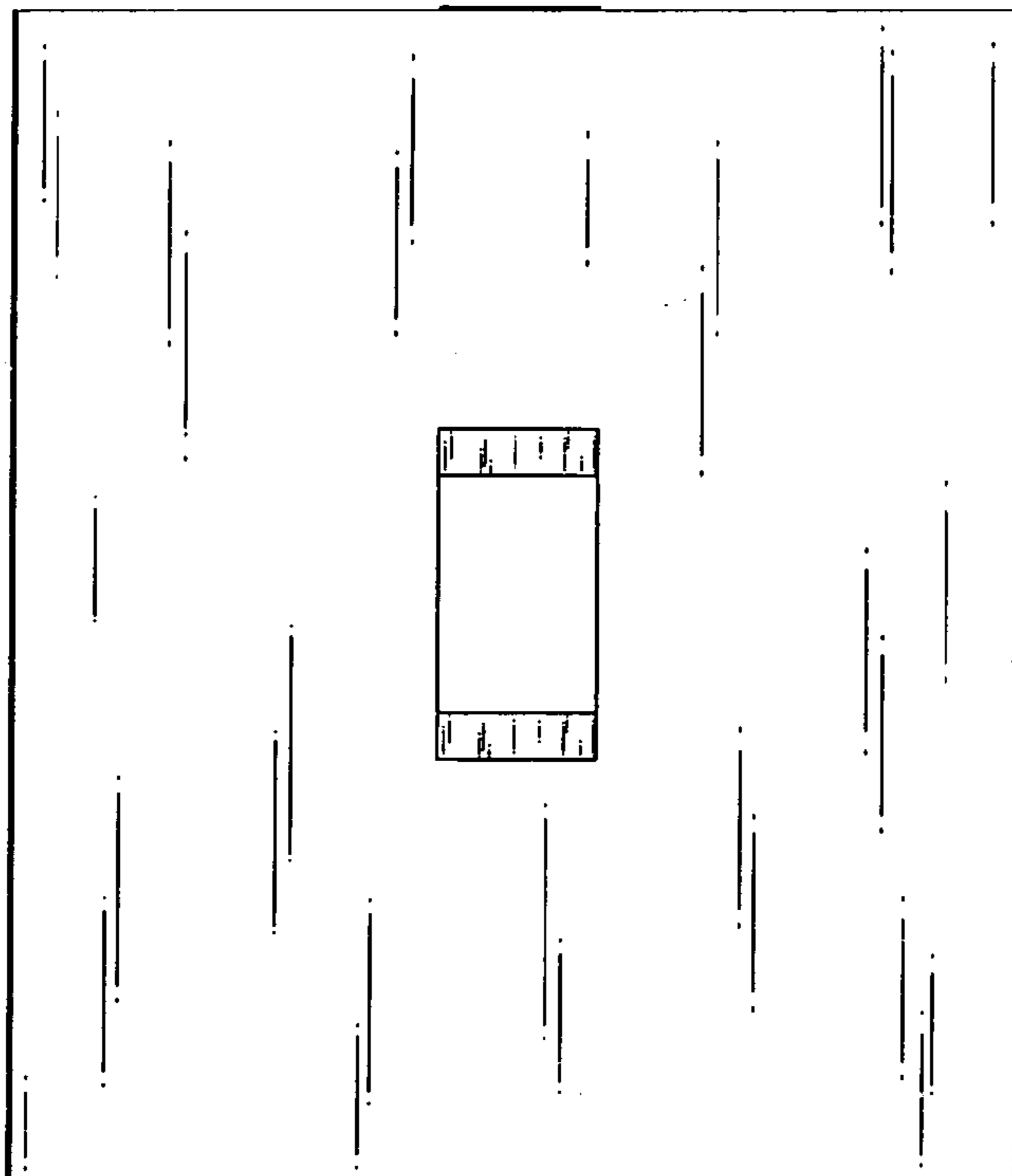


Fig.6

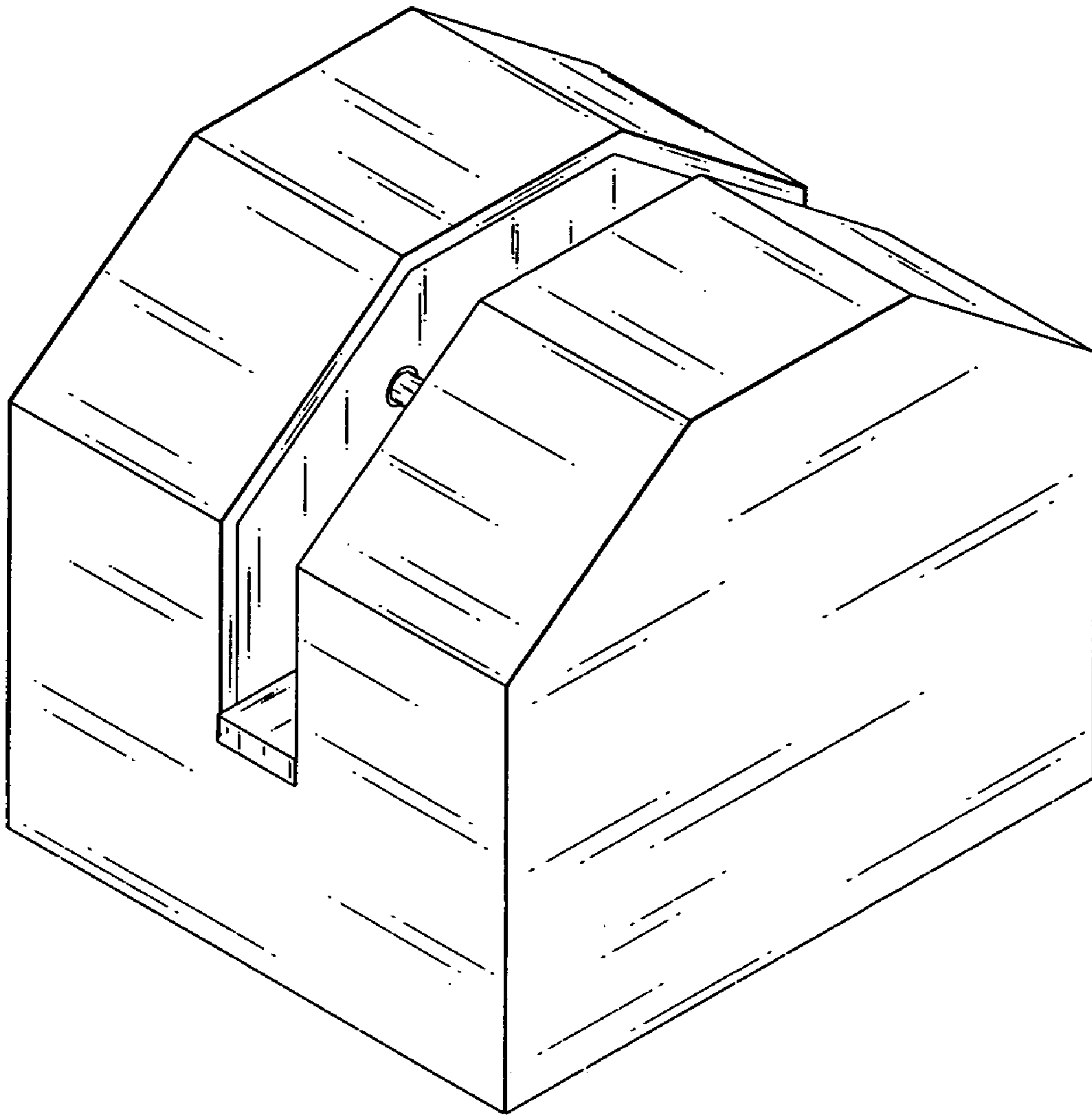


Fig.7

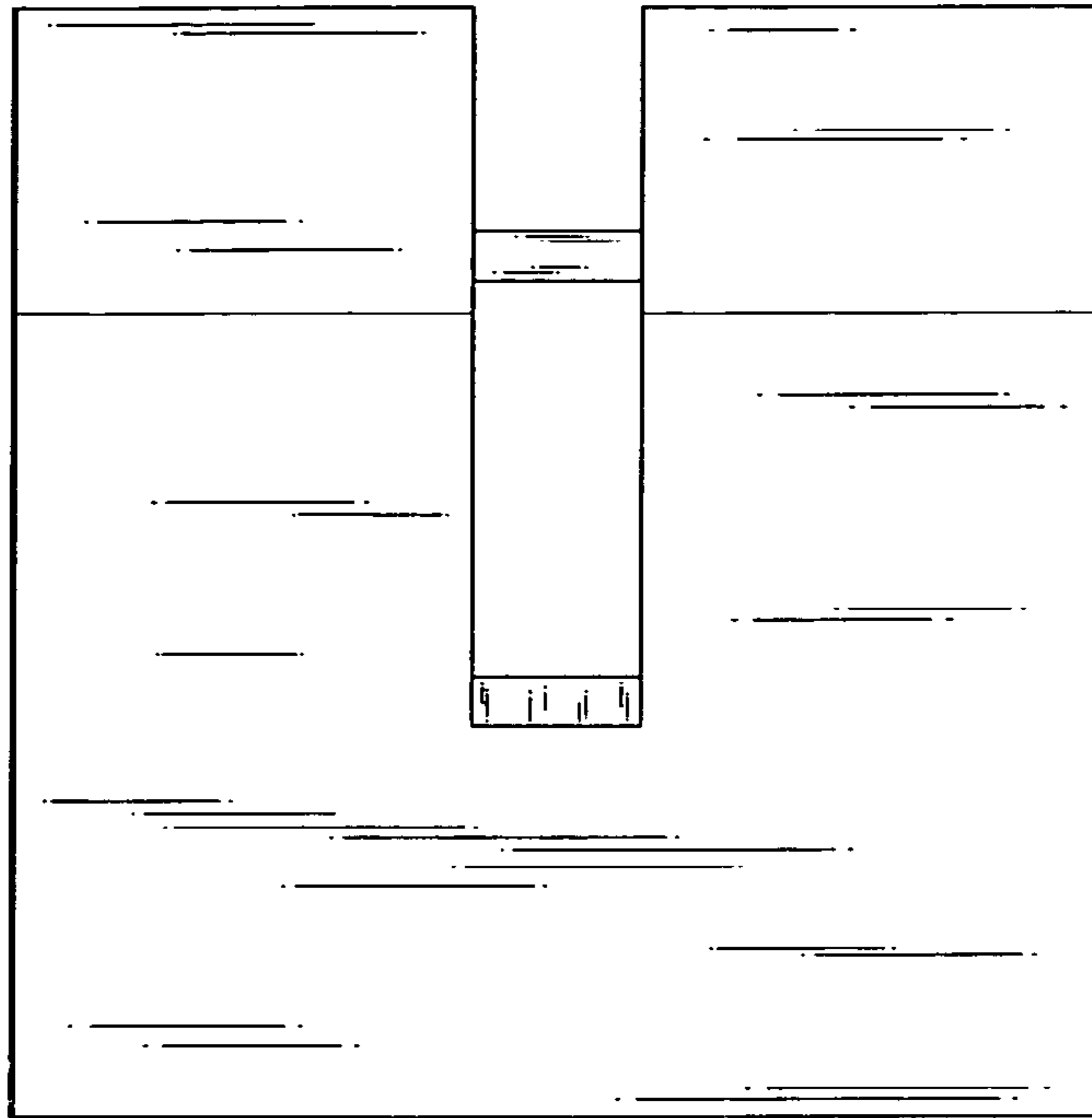


Fig.8

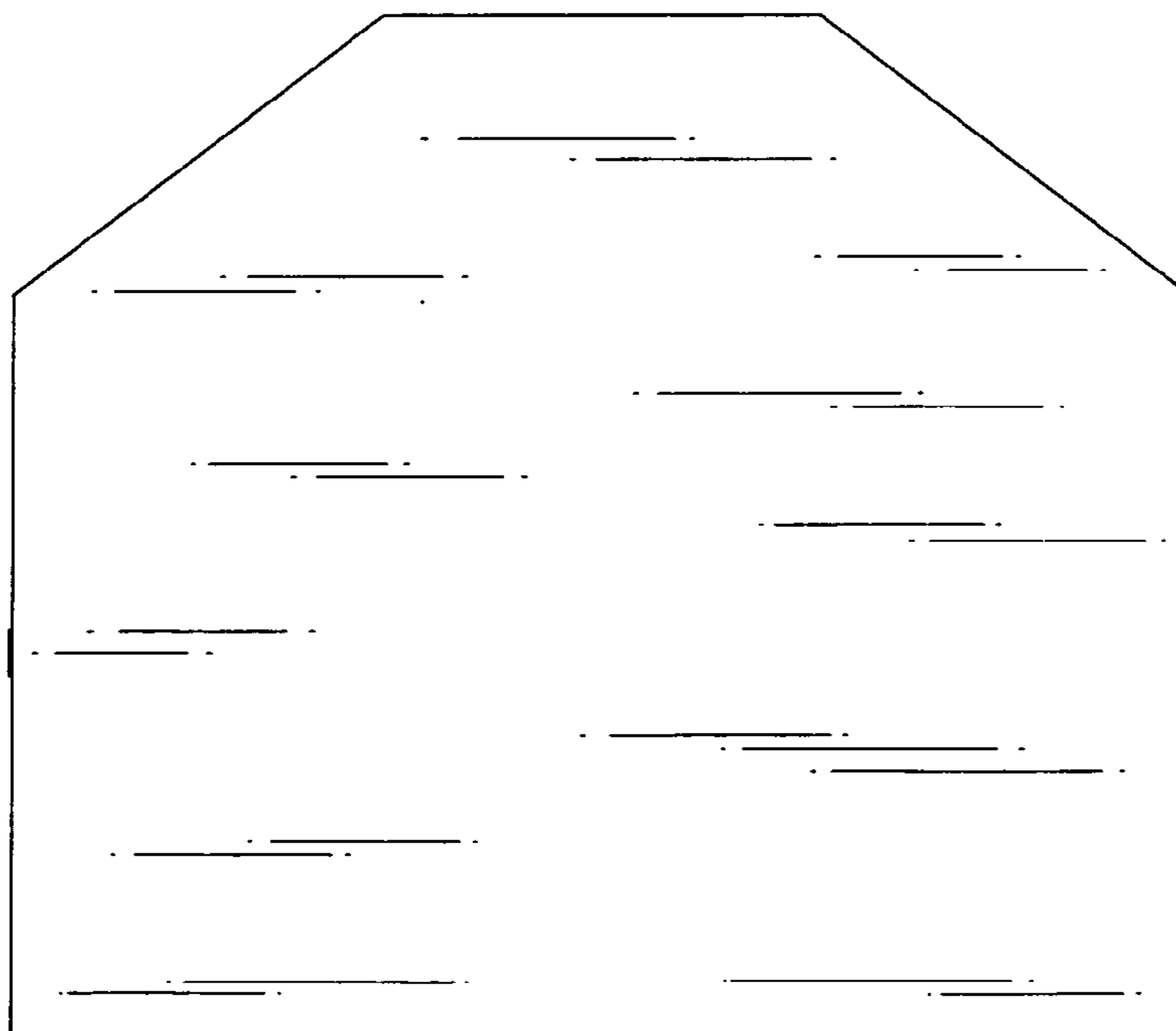


Fig.9

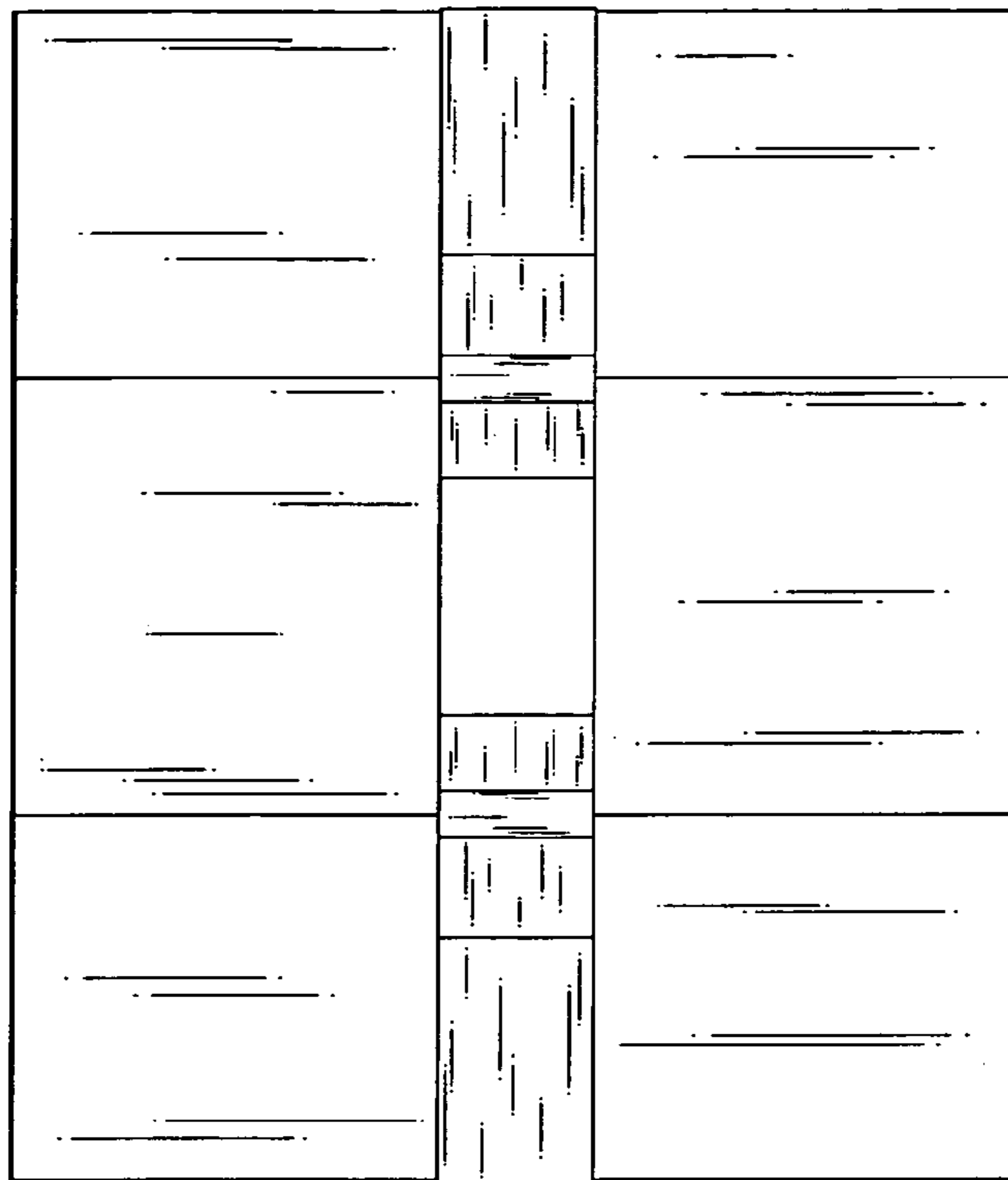


Fig.10

