

US00D549824S

(12) **United States Design Patent** (10) **Patent No.:** **US D549,824 S**
Sauer (45) **Date of Patent:** **** Aug. 28, 2007**

(54) **MEDICAL INSTRUMENT**

2006/0020281 A1* 1/2006 Smith 606/167
 2006/0058585 A1* 3/2006 Oberlaender et al. 600/210

(75) Inventor: **Michael Sauer**, Tuttlingen (DE)

* cited by examiner

(73) Assignee: **Karl Storz GmbH & Co. KG** (DE)

Primary Examiner—Ian Simmons

(**) Term: **14 Years**

Assistant Examiner—Wan Laymon

(21) Appl. No.: **29/228,767**

(74) *Attorney, Agent, or Firm*—St. Onge Steward Johnston & Reens LLC

(22) Filed: **Apr. 28, 2005**

(57) **CLAIM**

(30) **Foreign Application Priority Data**

The ornamental design for a medical instrument, as shown and described.

Oct. 29, 2004 (EP) 000247226

(51) **LOC (8) Cl.** **24-02**

DESCRIPTION

(52) **U.S. Cl.** **D24/146; D24/147**

FIG. 1 is a front perspective view of a medical instrument in accordance with the new design;

(58) **Field of Classification Search** D24/146,
 D24/140, 133, 147, 112, 114, 144, 108, 129,
 D24/110; 600/210, 564, 566, 567; 604/167.06,
 604/164, 167.04, 158, 167, 169; 285/316;
 606/91, 53, 81, 99, 100, 905, 45, 46, 1, 185,
 606/108, 184, 167

FIG. 2 is a side view of the medical instrument of FIG. 1;
 FIG. 3 is a rear view of the medical instrument of FIG. 1;
 FIG. 4 is a top view of the medical instrument of FIG. 1;
 FIG. 5 is a bottom view of the medical instrument of FIG. 1;

See application file for complete search history.

FIG. 6 is an exploded side view of the medical instrument of FIG. 1;

(56) **References Cited**

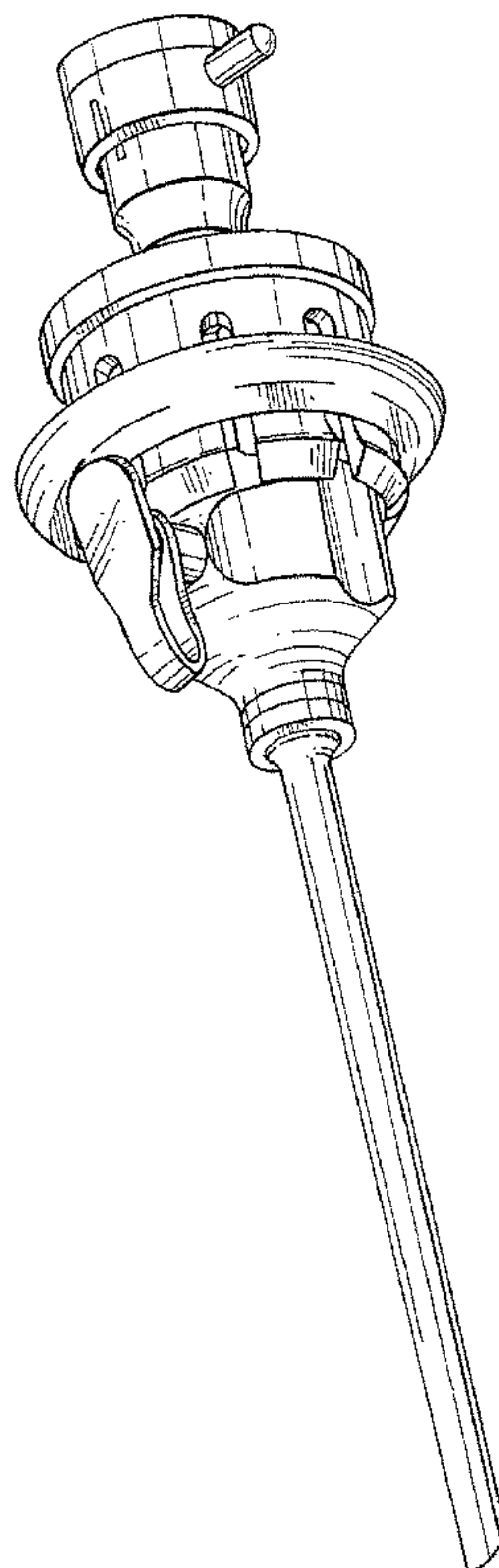
U.S. PATENT DOCUMENTS

4,951,977 A * 8/1990 Shutt 285/316
 6,110,128 A * 8/2000 Andelin et al. 600/566
 2001/0029387 A1* 10/2001 Wolf et al. 606/184
 2002/0042607 A1* 4/2002 Palmer et al. 606/1
 2003/0181858 A1* 9/2003 Lajtai et al. 604/167.06

FIG. 7 is an exploded side view of the medical instrument of FIG. 1; and,

FIG. 8 is a side view of the medical instrument of FIG. 1.

1 Claim, 7 Drawing Sheets



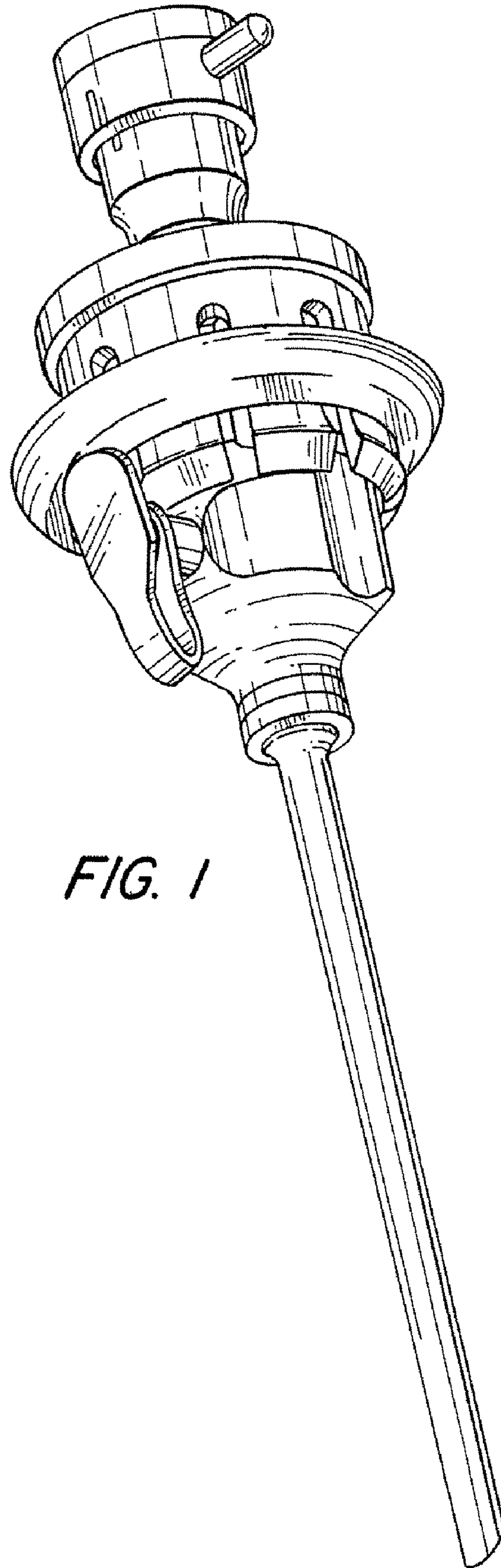


FIG. 1

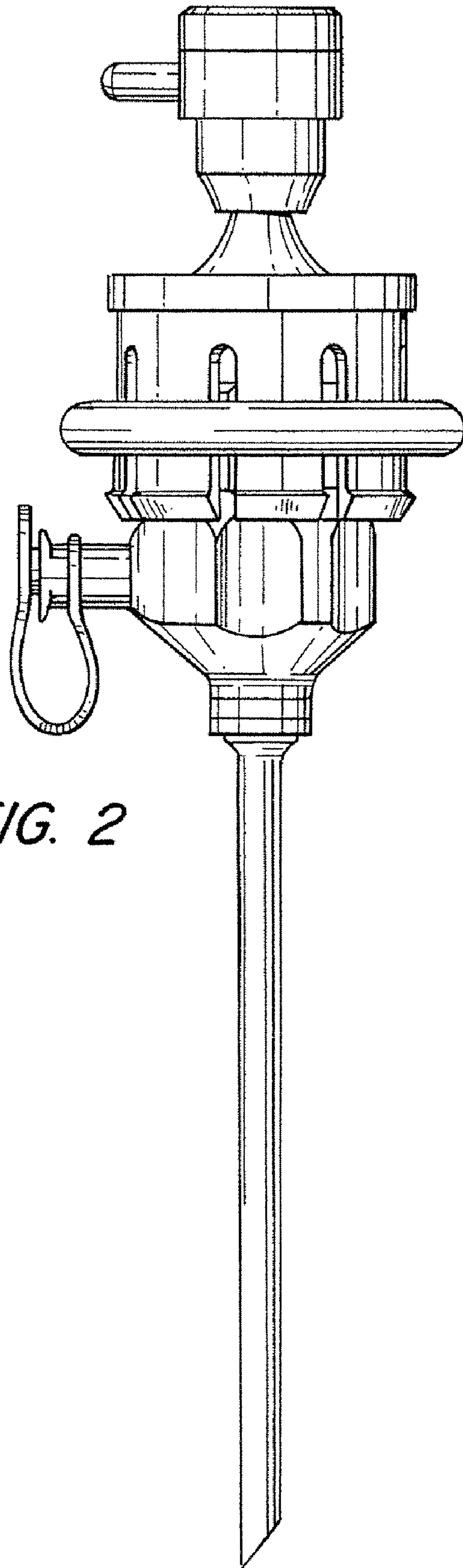


FIG. 2

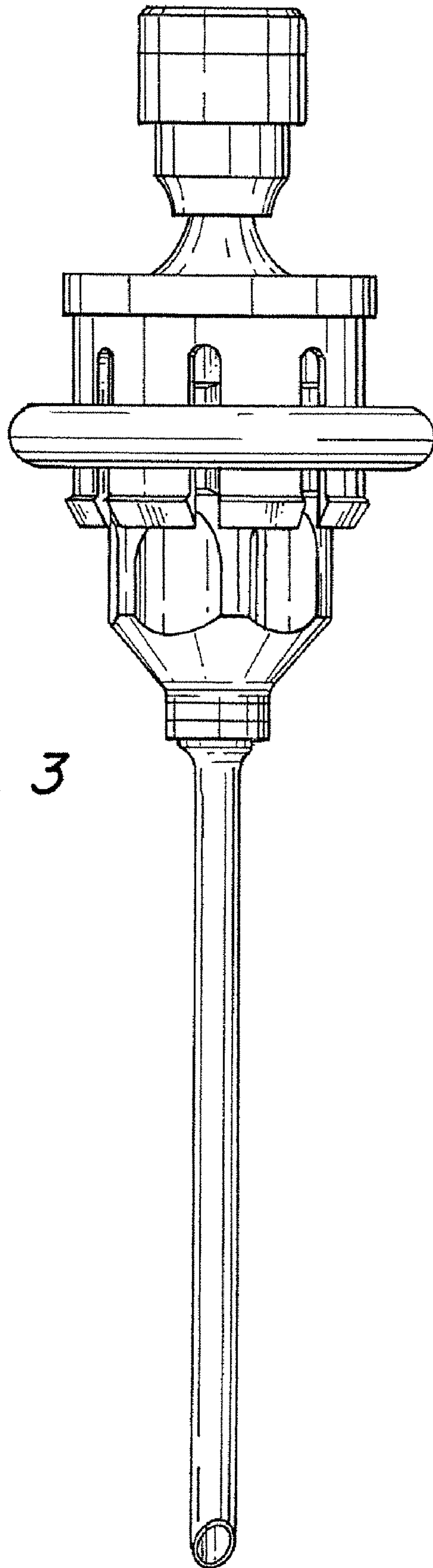


FIG. 3

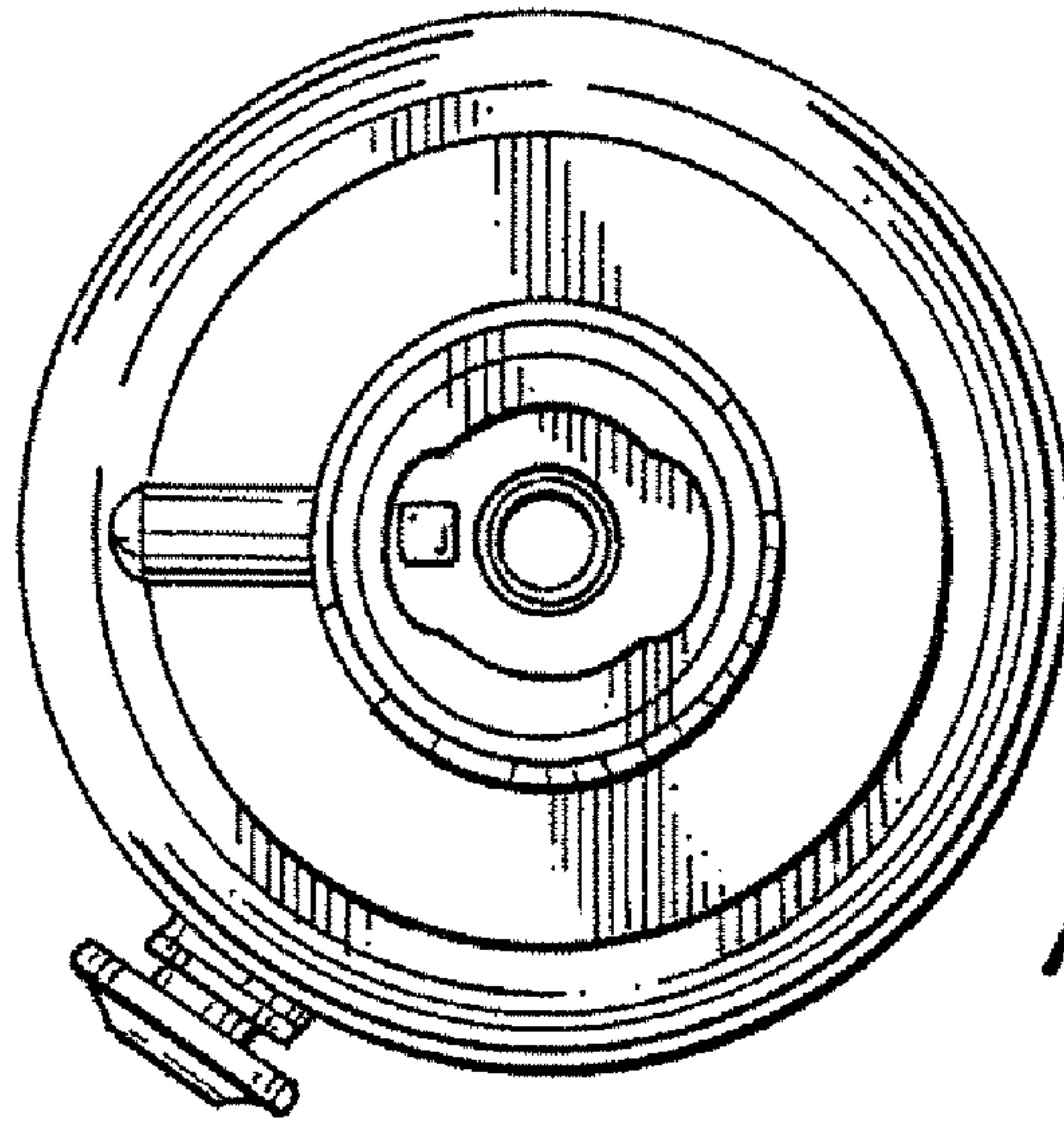


FIG. 4

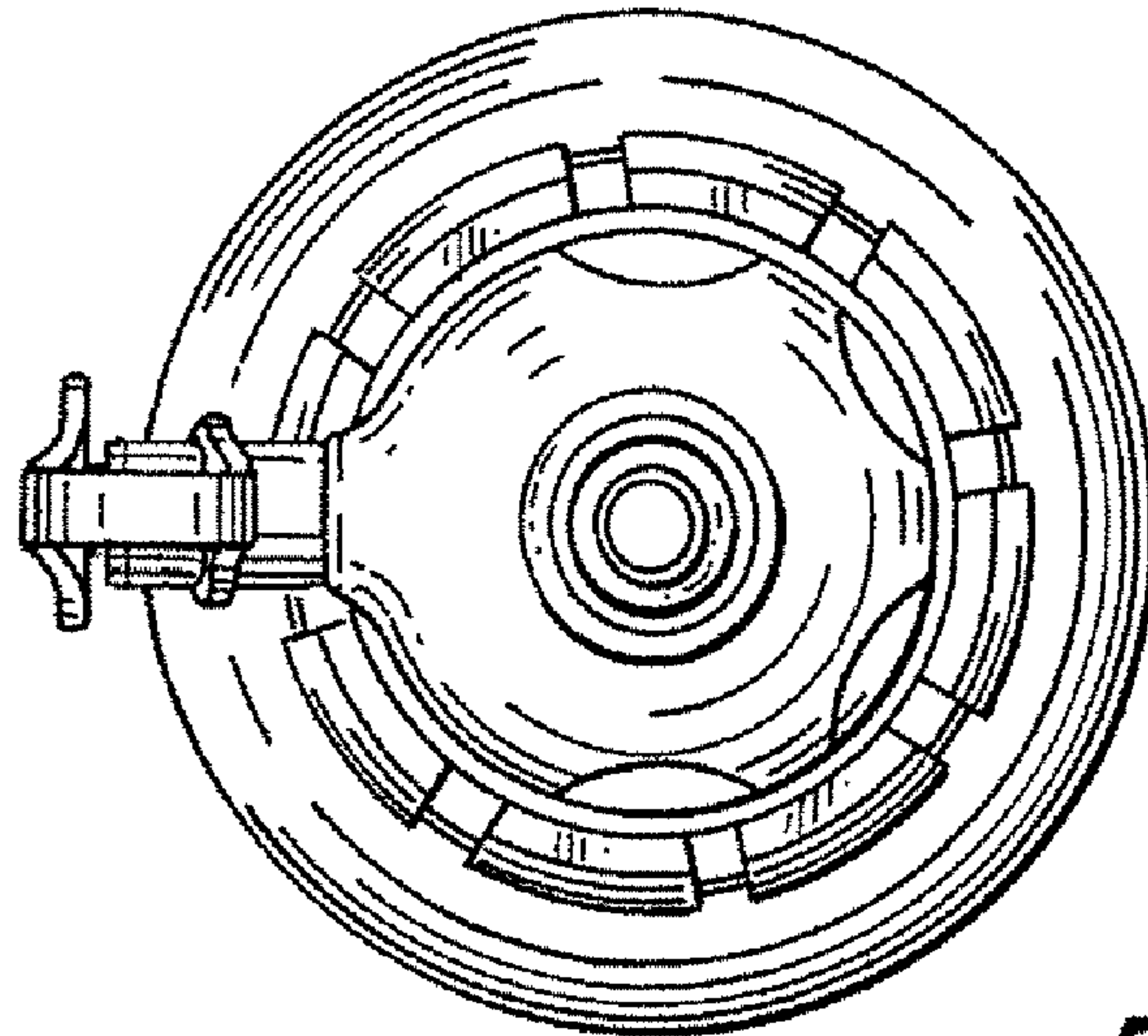


FIG. 5

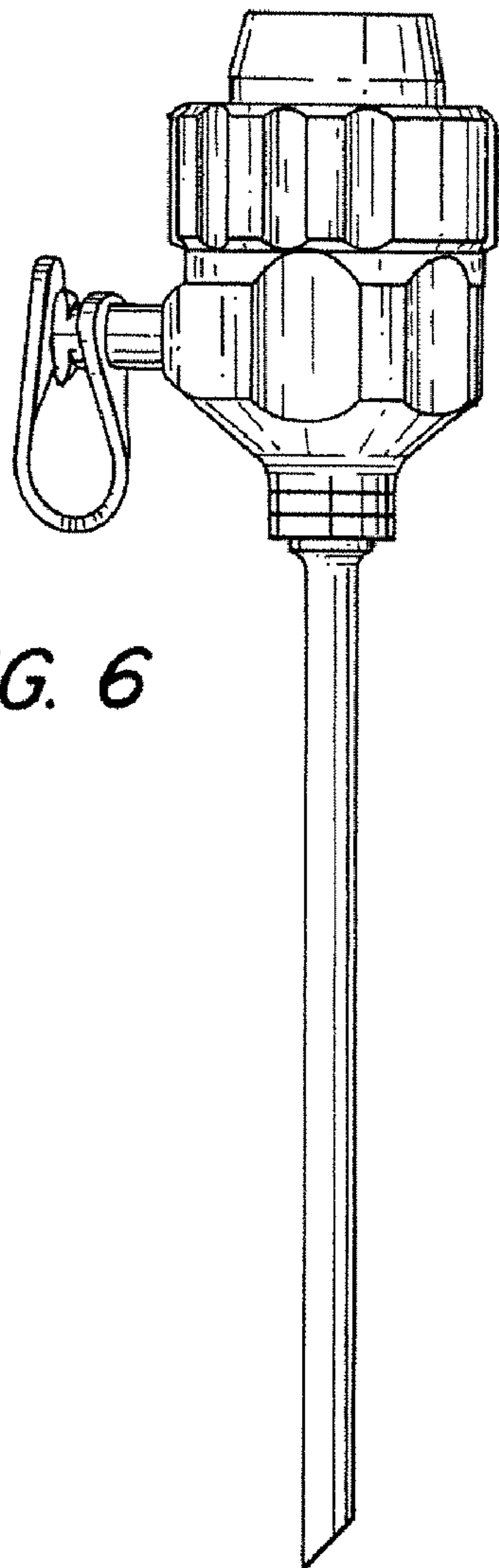
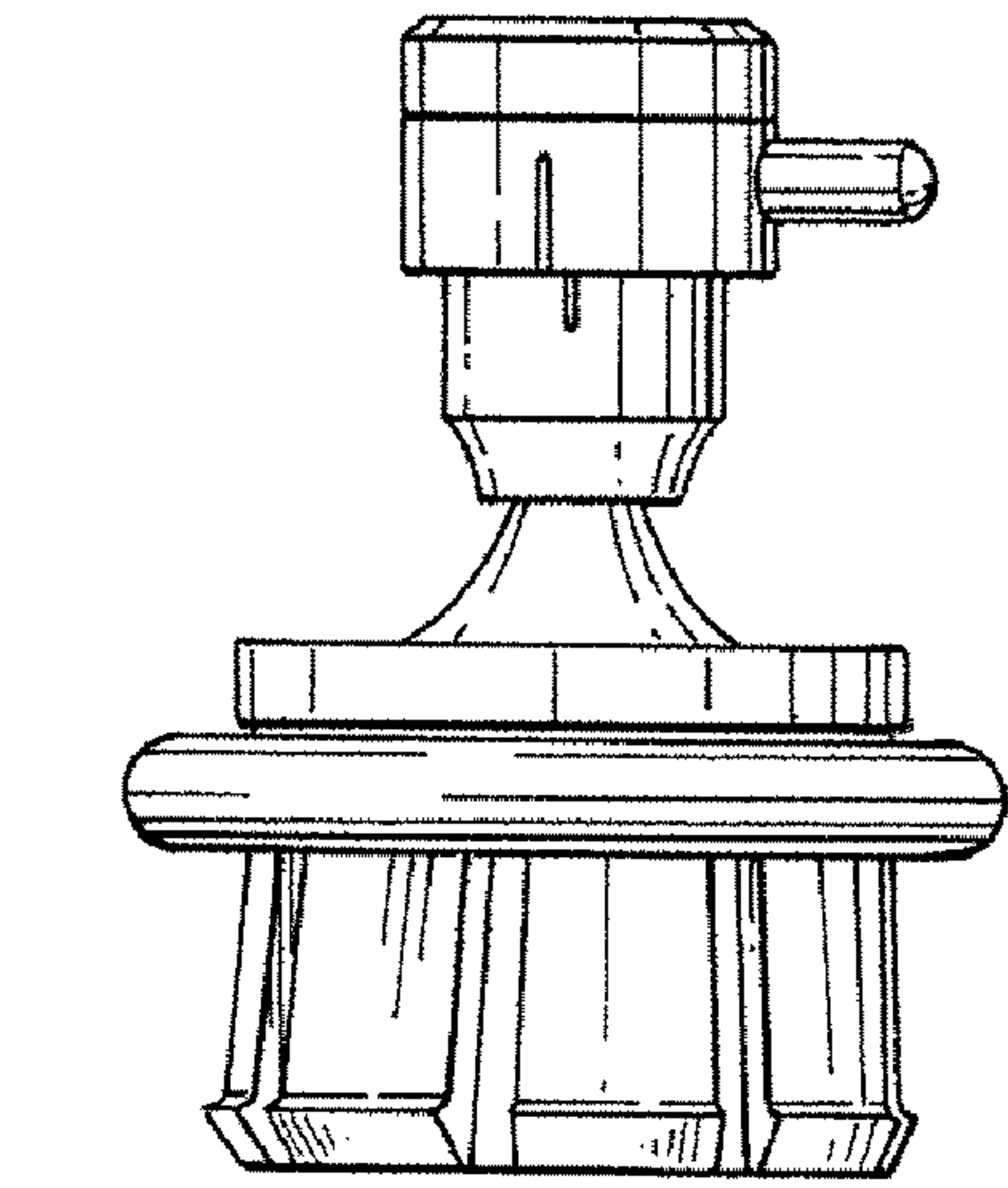


FIG. 6

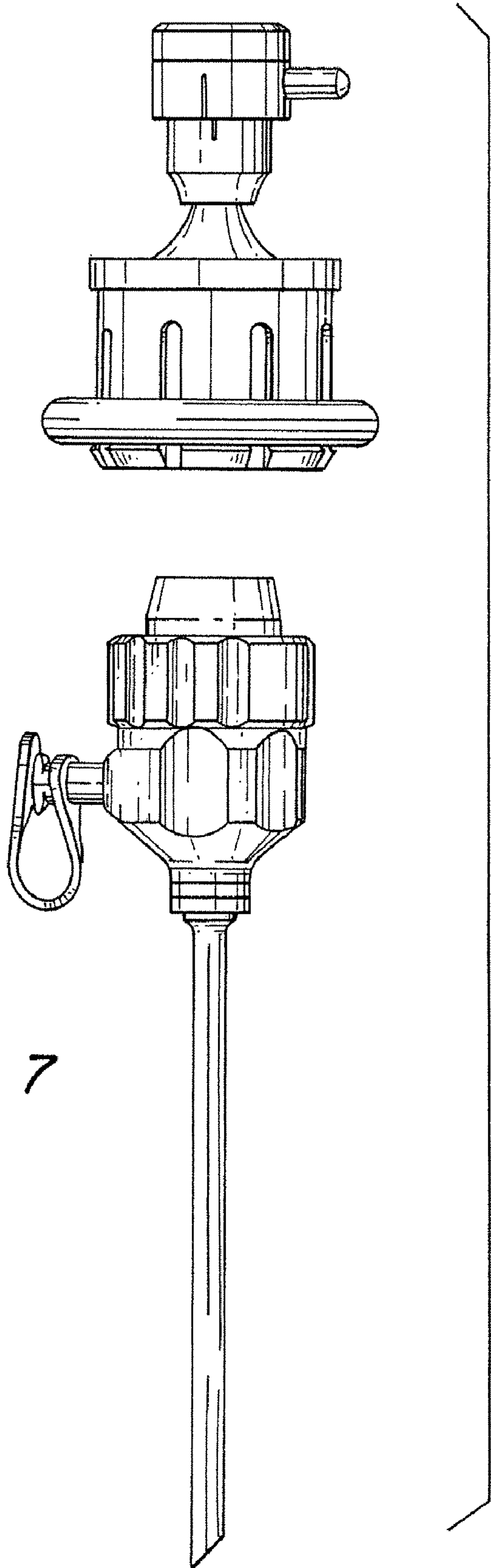


FIG. 7

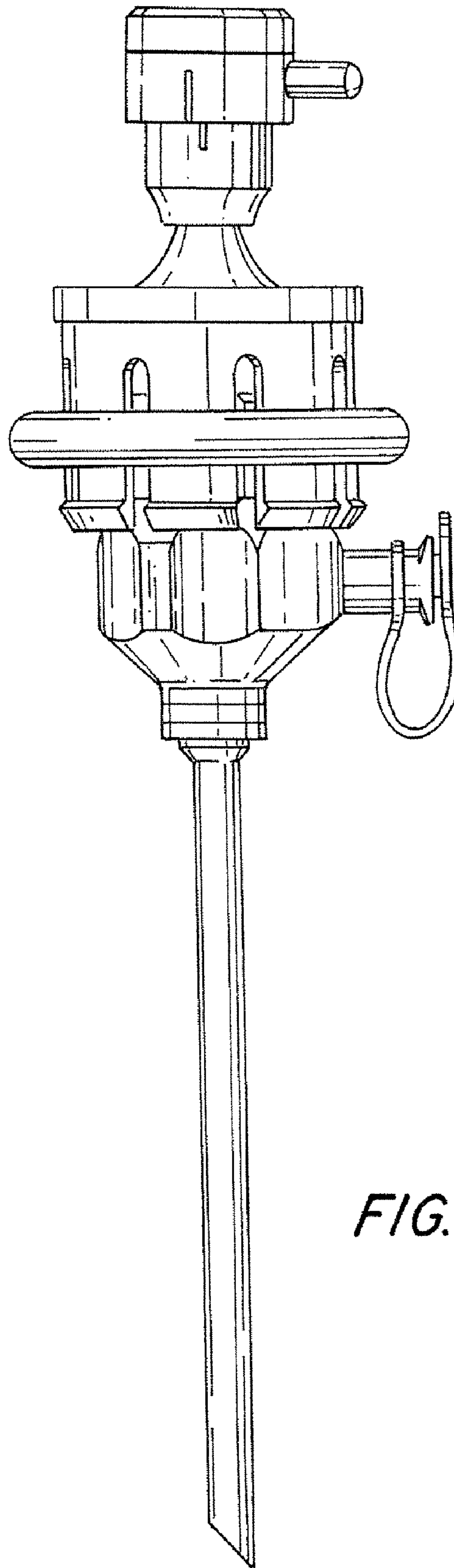


FIG. 8