

US00D549823S

(12) **United States Design Patent**
Vijfvinkel

(10) **Patent No.:** **US D549,823 S**

(45) **Date of Patent:** **** Aug. 28, 2007**

(54) **CANNULA**

D317,203 S * 5/1991 Walsh D24/112

D321,250 S * 10/1991 Jepson et al. D24/112

D378,699 S * 4/1997 Niedospial et al. D24/112

(76) Inventor: **Gerrit Jan Vijfvinkel**, Oude Singel 2,
Geervliet (NL) 3211 BA

(**) Term: **14 Years**

* cited by examiner

(21) Appl. No.: **29/215,619**

Primary Examiner—Louis S. Zarfaz

Assistant Examiner—Eric L Goodman

(22) Filed: **Oct. 21, 2004**

(74) *Attorney, Agent, or Firm*—Merchant & Gould P.C.

(30) **Foreign Application Priority Data**

Apr. 23, 2004 (EP) 000166913-0002

(57) **CLAIM**

(51) **LOC (8) Cl.** **24-02**

The ornamental design for a cannula, as shown and described.

(52) **U.S. Cl.** **D24/130**

(58) **Field of Classification Search** D24/130,

D24/112, 108; 604/60, 57, 19, 27, 164.01

See application file for complete search history.

DESCRIPTION

(56) **References Cited**

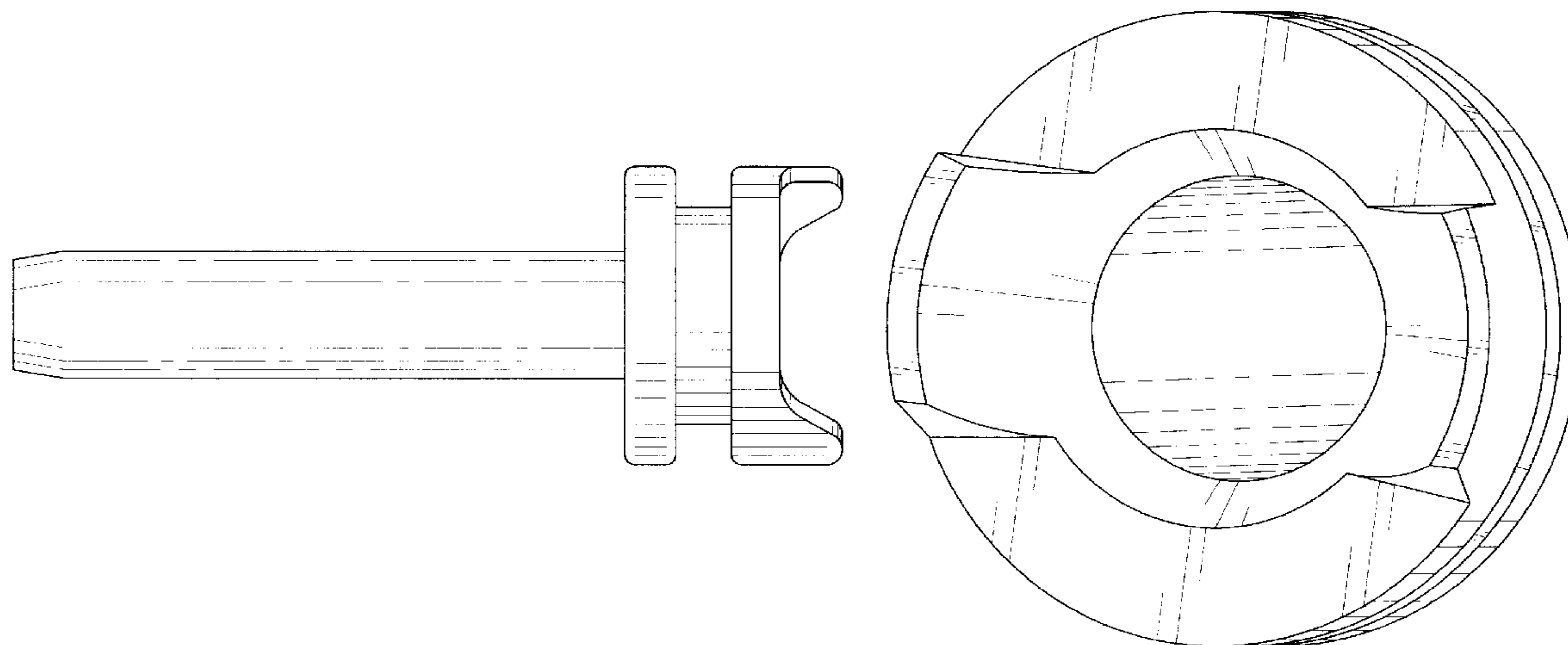
FIG. 1 is a top, elevational view thereof; and,

FIG. 2 is side elevational view thereof.

U.S. PATENT DOCUMENTS

D257,886 S * 1/1981 Kersten D24/112

1 Claim, 2 Drawing Sheets



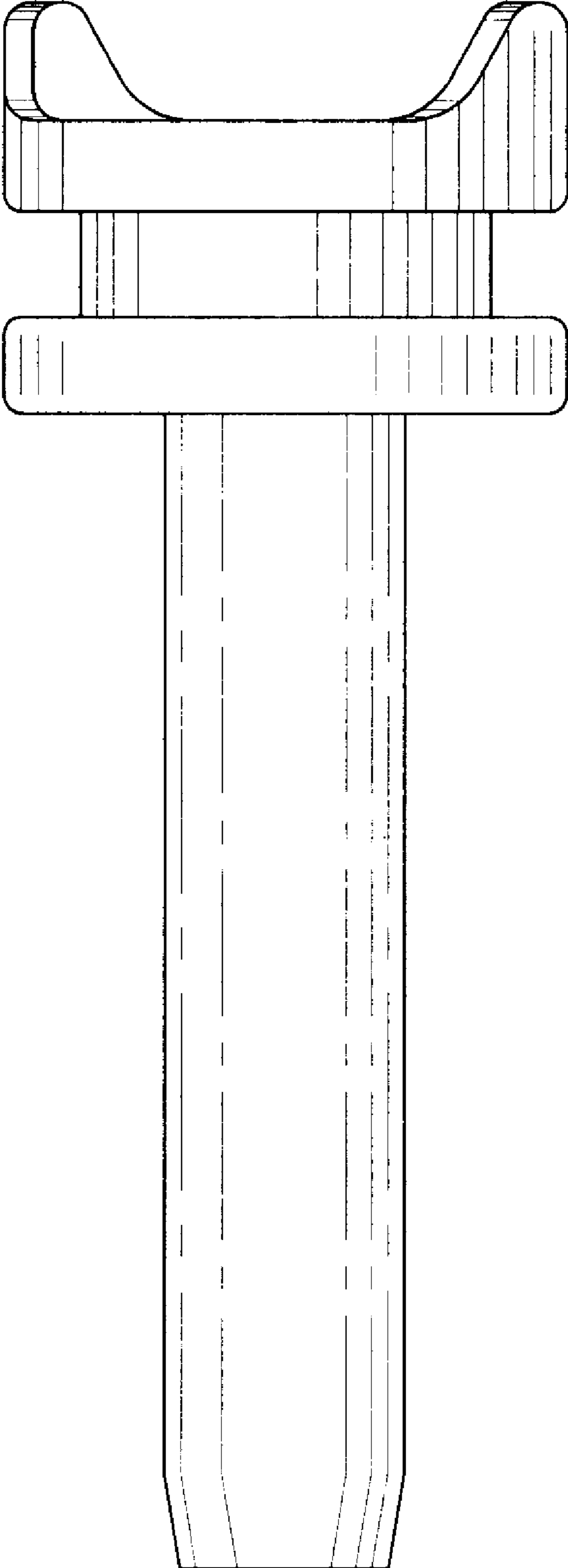


FIG. 1

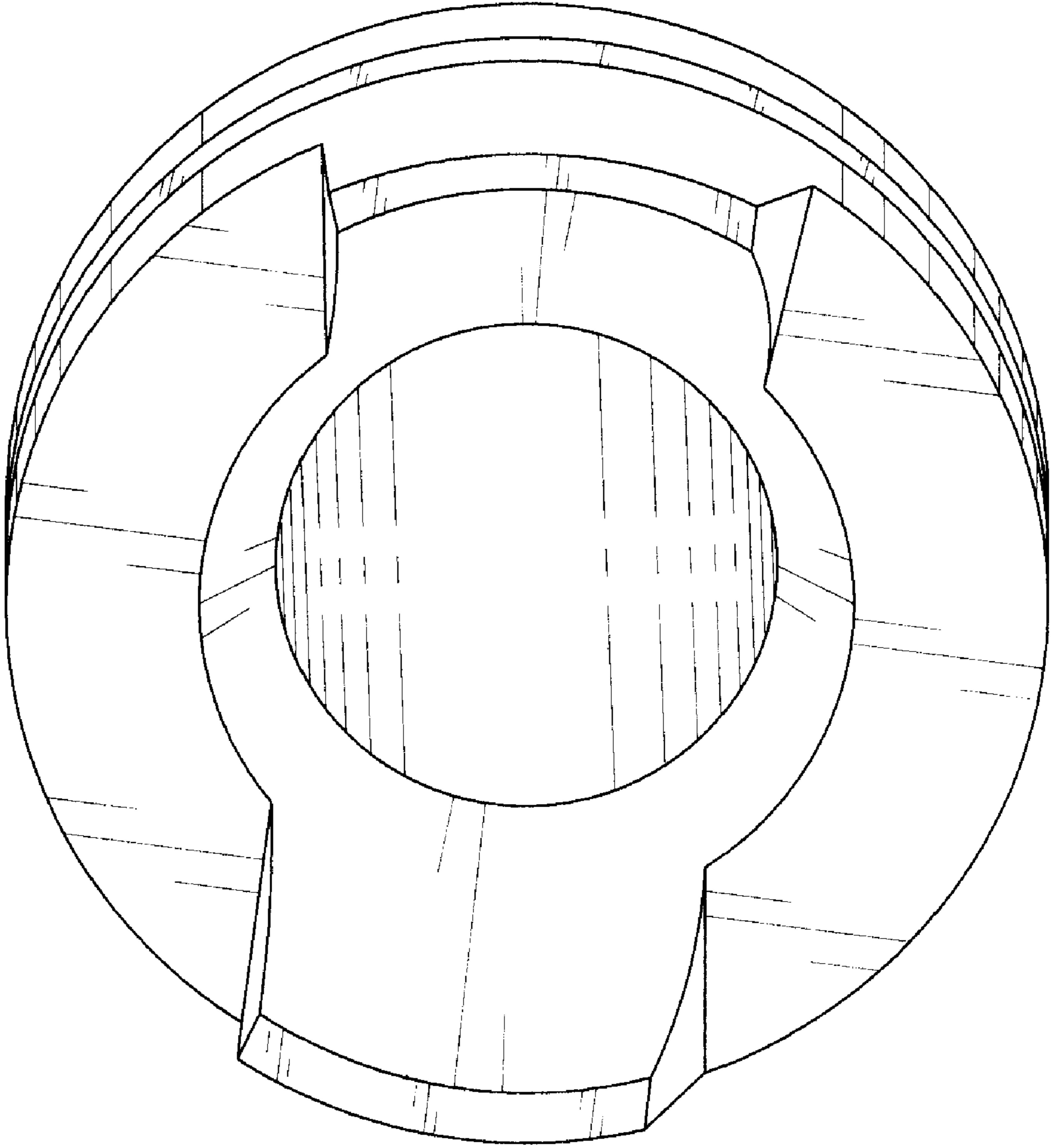


FIG. 2