

US00D549822S

(12) **United States Design Patent**
Santora, Jr. et al.

(10) **Patent No.:** **US D549,822 S**

(45) **Date of Patent:** **** Aug. 28, 2007**

(54) **MALE IRRIGATION TUBING CONNECTOR**

(75) Inventors: **Carl Joseph Santora, Jr.**, Helotes, TX (US); **David Boyd**, Natalia, TX (US)

(73) Assignee: **KCI Licensing, Inc.**, San Antonio, TX (US)

(**) Term: **14 Years**

(21) Appl. No.: **29/254,625**

(22) Filed: **Feb. 24, 2006**

(51) **LOC (8) Cl.** **24-02**

(52) **U.S. Cl.** **D24/129**

(58) **Field of Classification Search** D24/108, D24/112, 127-129; 285/239, 260, 332; 604/22, 604/29, 214, 280, 283, 403, 413, 905
See application file for complete search history.

(56) **References Cited**

U.S. PATENT DOCUMENTS

4,747,820	A *	5/1988	Hornlein et al.	604/22
4,867,487	A *	9/1989	Phillis	285/305
4,881,761	A *	11/1989	Hornlein et al.	285/239
D437,934	S *	2/2001	Wilkinson et al.	D24/129
6,494,892	B1 *	12/2002	Ireland et al.	606/180
D488,867	S *	4/2004	Chau	D24/129

D504,946	S *	5/2005	Silverwood	D24/110.5
D507,647	S *	7/2005	Beck et al.	D24/111
D523,553	S *	6/2006	Beck et al.	D24/111

* cited by examiner

Primary Examiner—Louis S. Zarfes
Assistant Examiner—Eric L. Goodman

(57) **CLAIM**

The ornamental design for a male irrigation tubing connector, as shown and described.

DESCRIPTION

FIG. 1 is a top perspective view of a male irrigation tubing connector showing my new design;

FIG. 2 is a side view thereof, the opposite side being a mirror image;

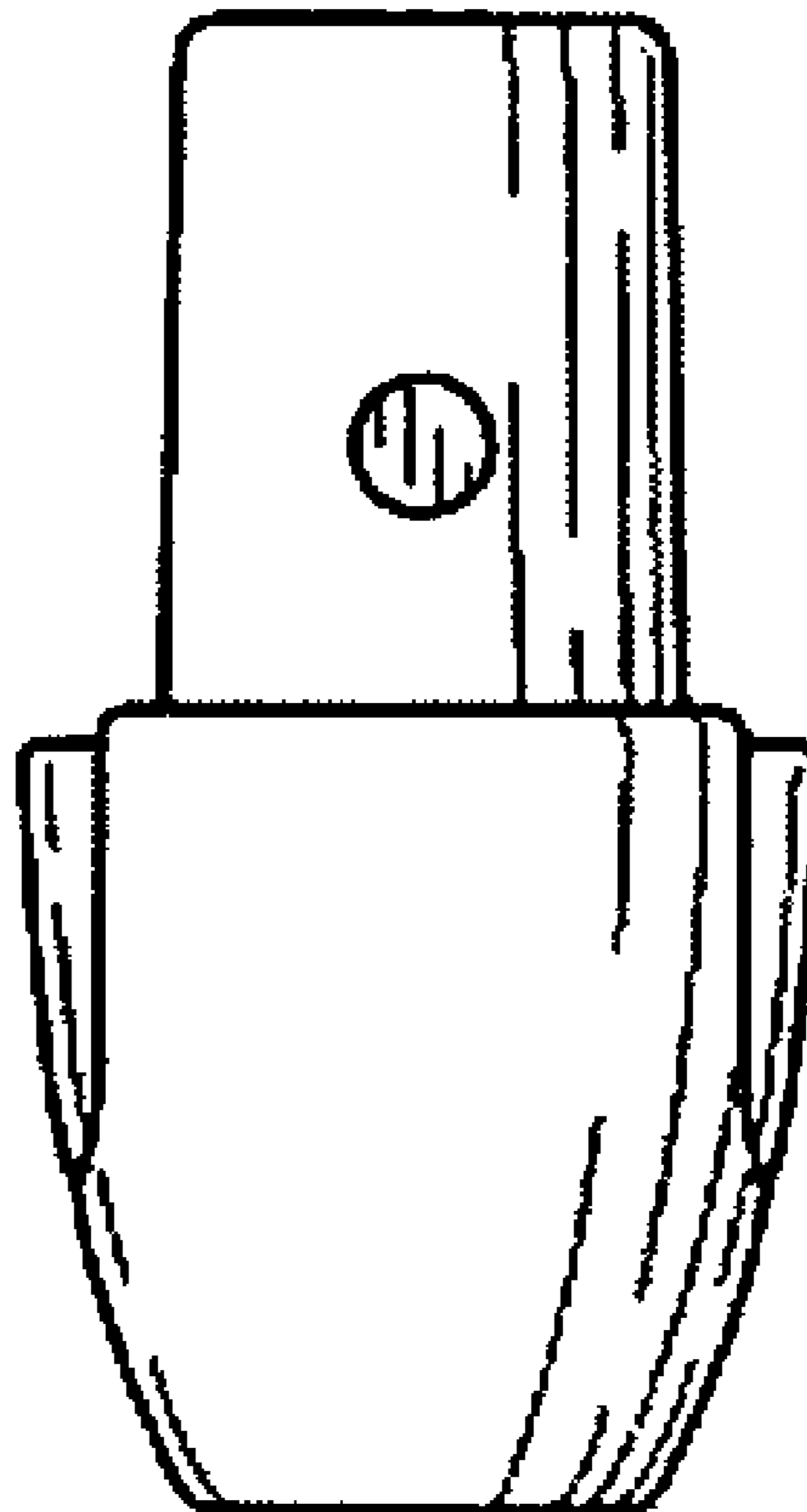
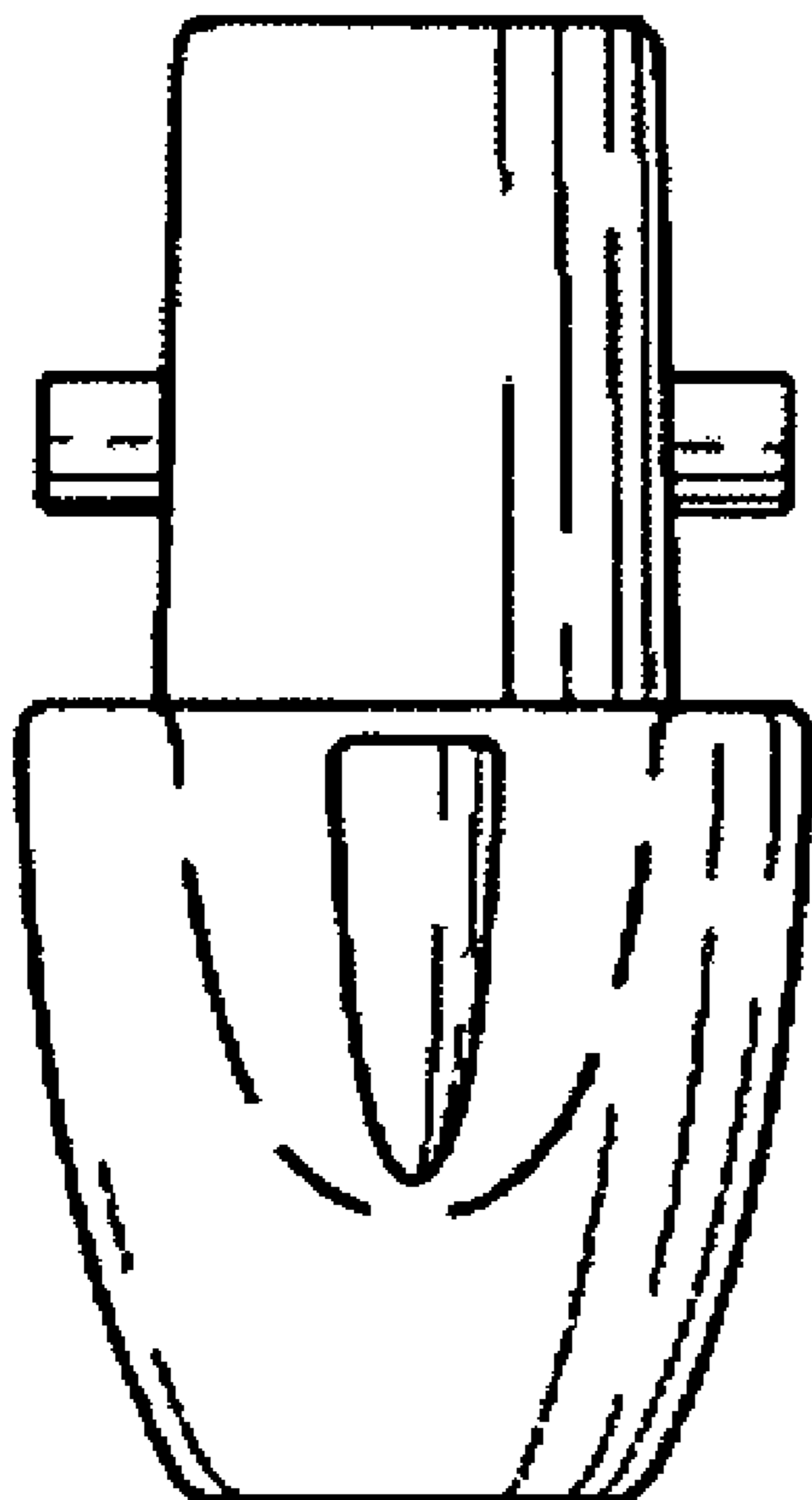
FIG. 3 is a side view thereof, the opposite side being a mirror image;

FIG. 4 is a top view thereof; and,

FIG. 5 is a bottom view thereof.

The portions of the design shown in broken lines are environmental structure and form no part of the claimed design.

1 Claim, 1 Drawing Sheet



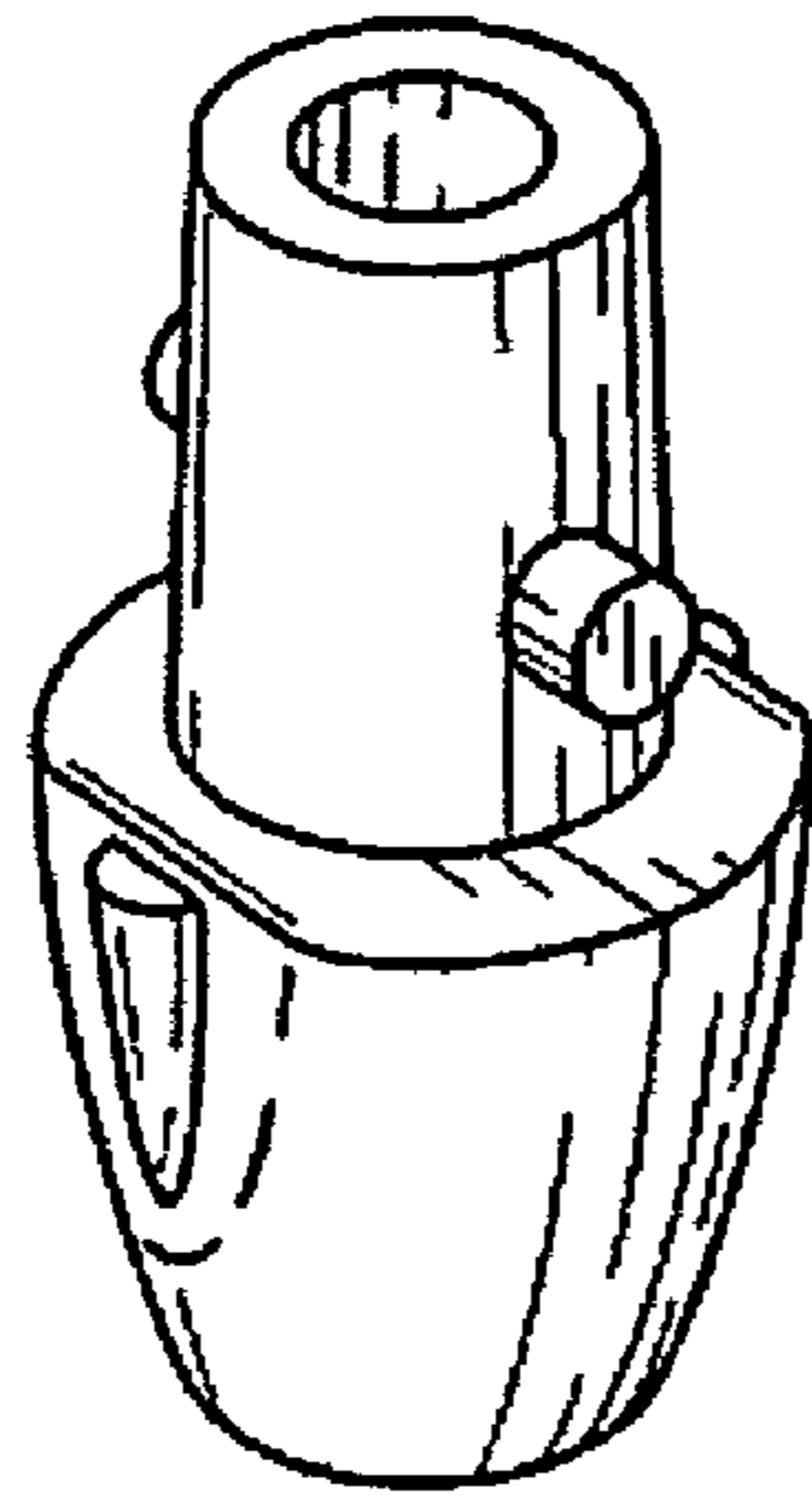


FIG. 1

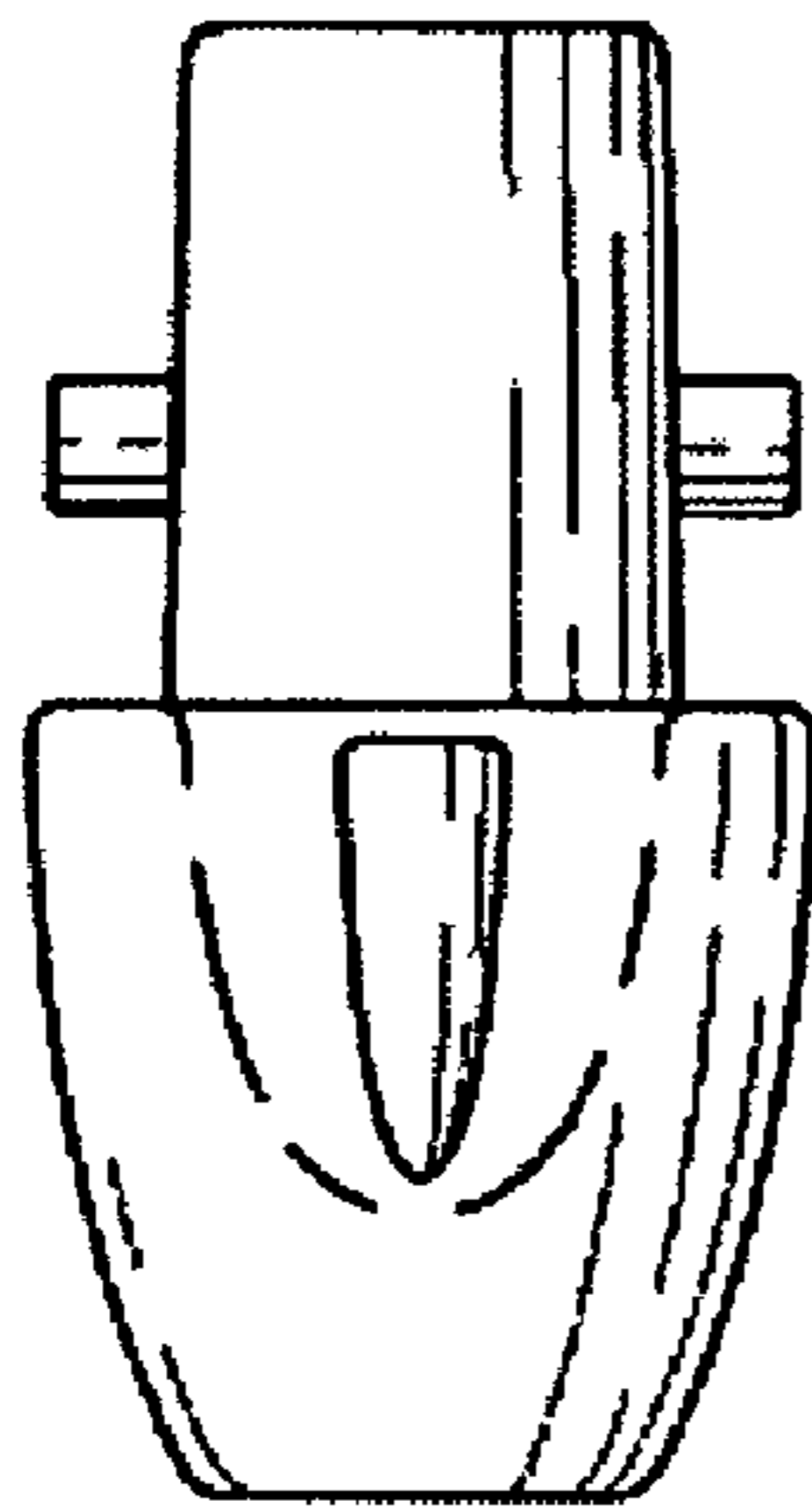


FIG. 2

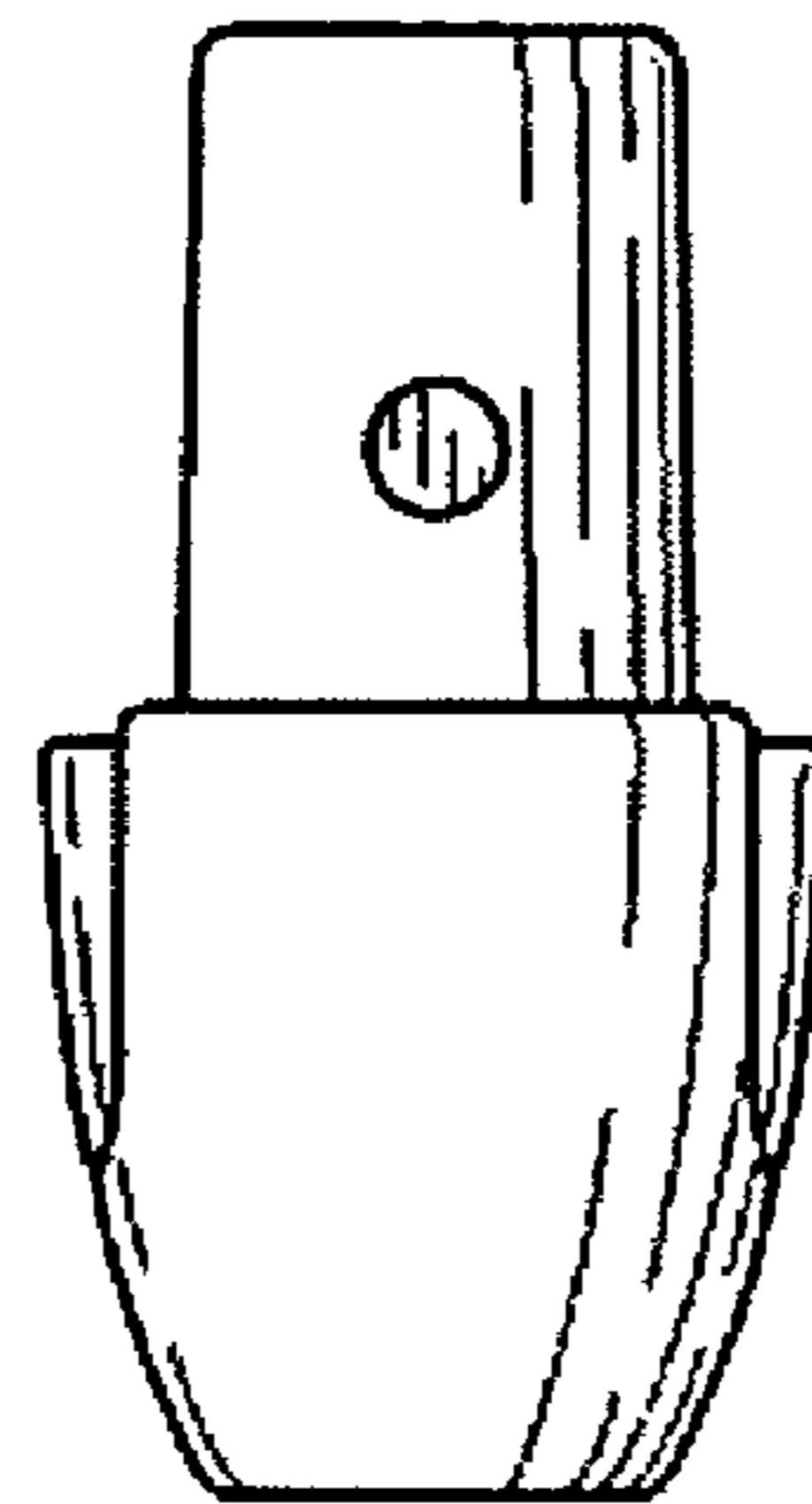


FIG. 3

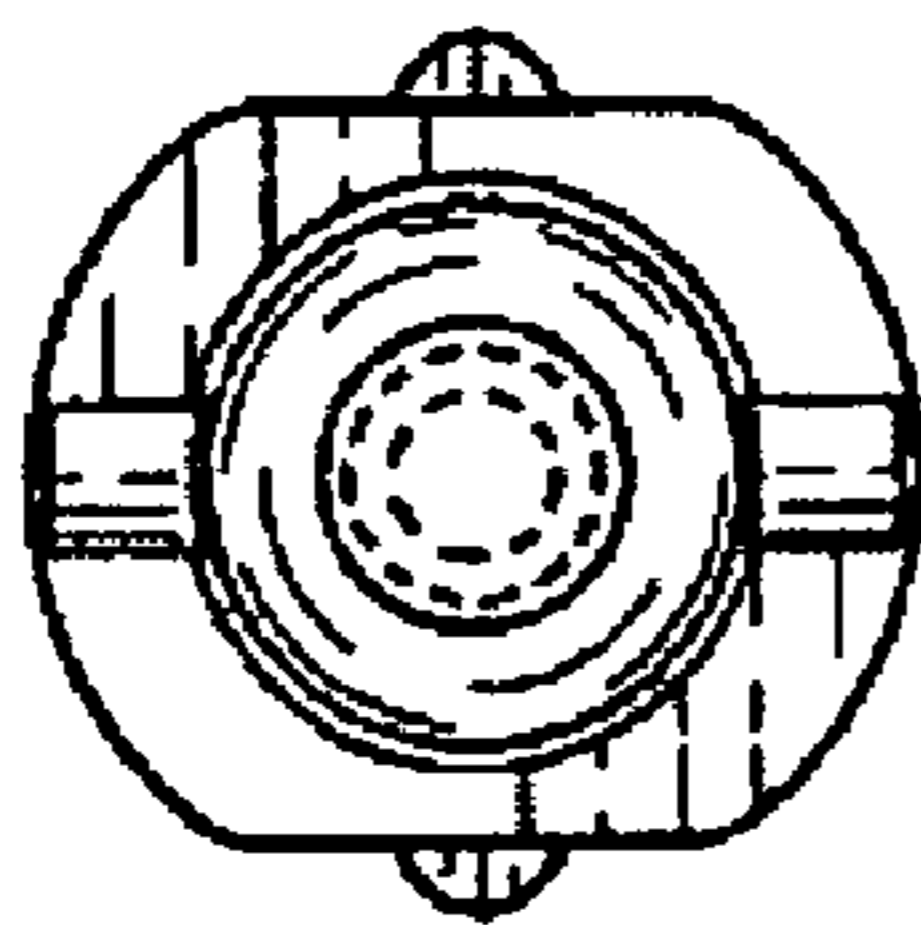


FIG. 4

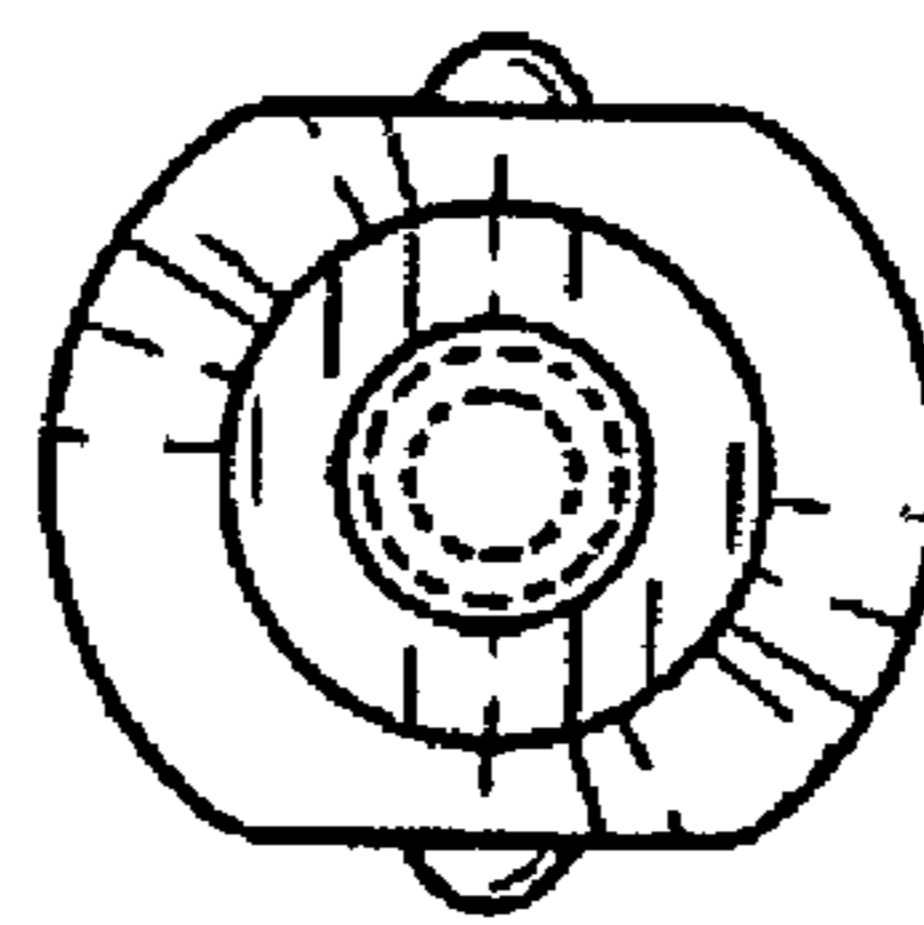


FIG. 5