



US00D549820S

(12) **United States Design Patent**  
**Hubler**

(10) **Patent No.:** **US D549,820 S**

(45) **Date of Patent:** **\*\* Aug. 28, 2007**

(54) **ASPIRATOR BASE JAR BRACKET**

(75) Inventor: **William T. Hubler**, Sheboygan Falls,  
WI (US)

(73) Assignee: **Thomas Industries, Inc.**, Sheboygan,  
WI (US)

(\*\*) Term: **14 Years**

(21) Appl. No.: **29/208,592**

(22) Filed: **Jun. 30, 2004**

(51) **LOC (8) Cl.** ..... **24-01**

(52) **U.S. Cl.** ..... **D24/108**

(58) **Field of Classification Search** ..... D24/108,  
D24/111; D15/7-9, 9.1, 9.2, 9.3; D7/620-622;  
248/311

See application file for complete search history.

(56) **References Cited**

**U.S. PATENT DOCUMENTS**

- 2,215,411 A \* 9/1940 Sebring ..... 248/311.2
- D272,356 S \* 1/1984 Hall et al. .... D15/4
- D298,650 S \* 11/1988 Lash ..... D24/111
- D302,728 S \* 8/1989 Herbst et al. .... D24/111
- 4,948,080 A \* 8/1990 Jack ..... 248/311.2
- 5,154,380 A \* 10/1992 Risca ..... 248/154
- D338,208 S \* 8/1993 Reents et al. .... D15/9
- D370,403 S \* 6/1996 Schenken et al. .... D8/355
- 5,533,700 A \* 7/1996 Porter ..... 248/311.2
- 5,560,578 A \* 10/1996 Schenken et al. .... 248/313
- D414,273 S \* 9/1999 Smith et al. .... D24/227
- D431,423 S \* 10/2000 Ohm et al. .... D7/620
- D437,929 S \* 2/2001 Leonhard et al. .... D24/108
- 6,220,557 B1 \* 4/2001 Ziaylek et al. .... 248/316.1
- 6,390,427 B1 \* 5/2002 McConnell et al. ... 248/231.61

- D478,095 S \* 8/2003 Reger ..... D15/9
- D495,799 S \* 9/2004 Hirsch et al. .... D24/152
- 6,926,243 B1 \* 8/2005 Ziaylek et al. .... 248/307
- D522,647 S \* 6/2006 Pickett ..... D23/411

**OTHER PUBLICATIONS**

Applicant's Exhibit A.  
Applicant's Exhibit B—Contemporary Products, Inc., "Model 6260 Aspirator," Advertising Literature.

\* cited by examiner

*Primary Examiner*—Ian Simmons

*Assistant Examiner*—Anna J. Burmeister

(74) *Attorney, Agent, or Firm*—James B. Conte; Barnes & Thornburg LLP

(57) **CLAIM**

The ornamental design for an aspirator base jar bracket, as shown and described.

**DESCRIPTION**

FIG. 1 is a top, front perspective view of an aspirator base jar bracket, showing my new design in use with an aspirator;

FIG. 2 is a top, front perspective of an aspirator base jar bracket;

FIG. 3 is a top plan view thereof;

FIG. 4 is a right side elevational view thereof;

FIG. 5 is a left side elevational view thereof; and,

FIG. 6 is a bottom view thereof.

The broken lines shown in the drawings are for environmental purposes only and form no part of the claimed design.

**1 Claim, 2 Drawing Sheets**

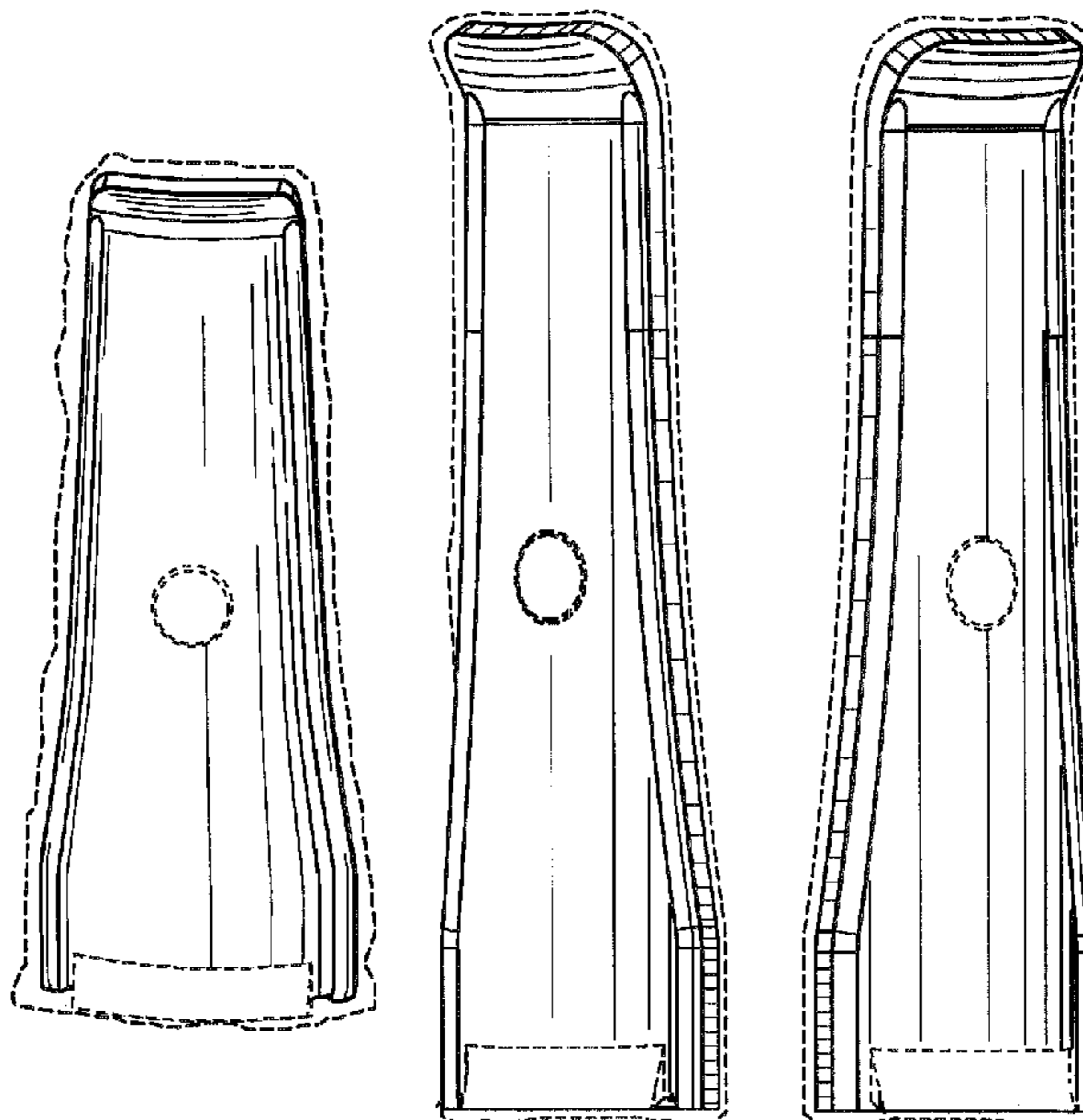


Fig. 1

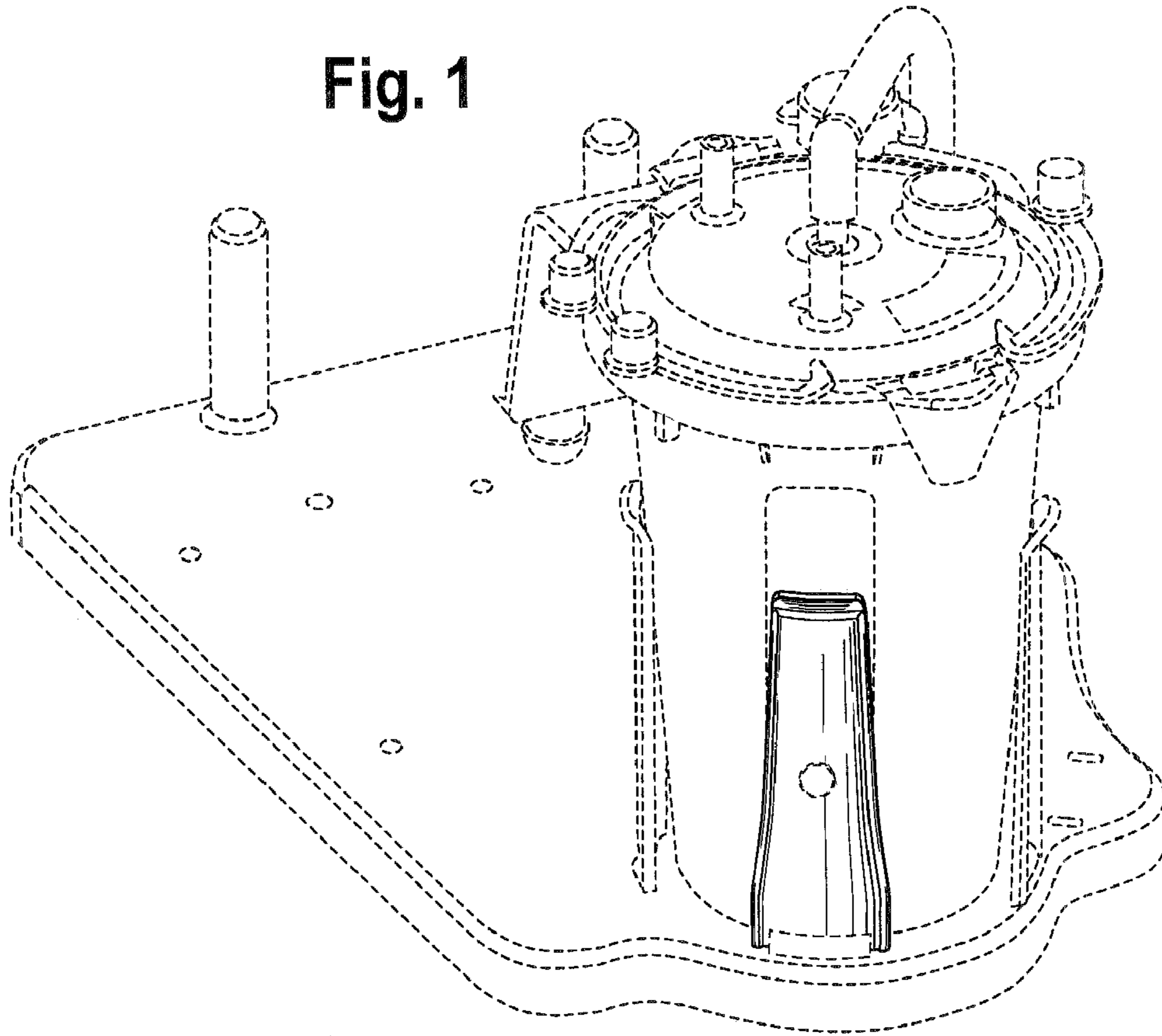
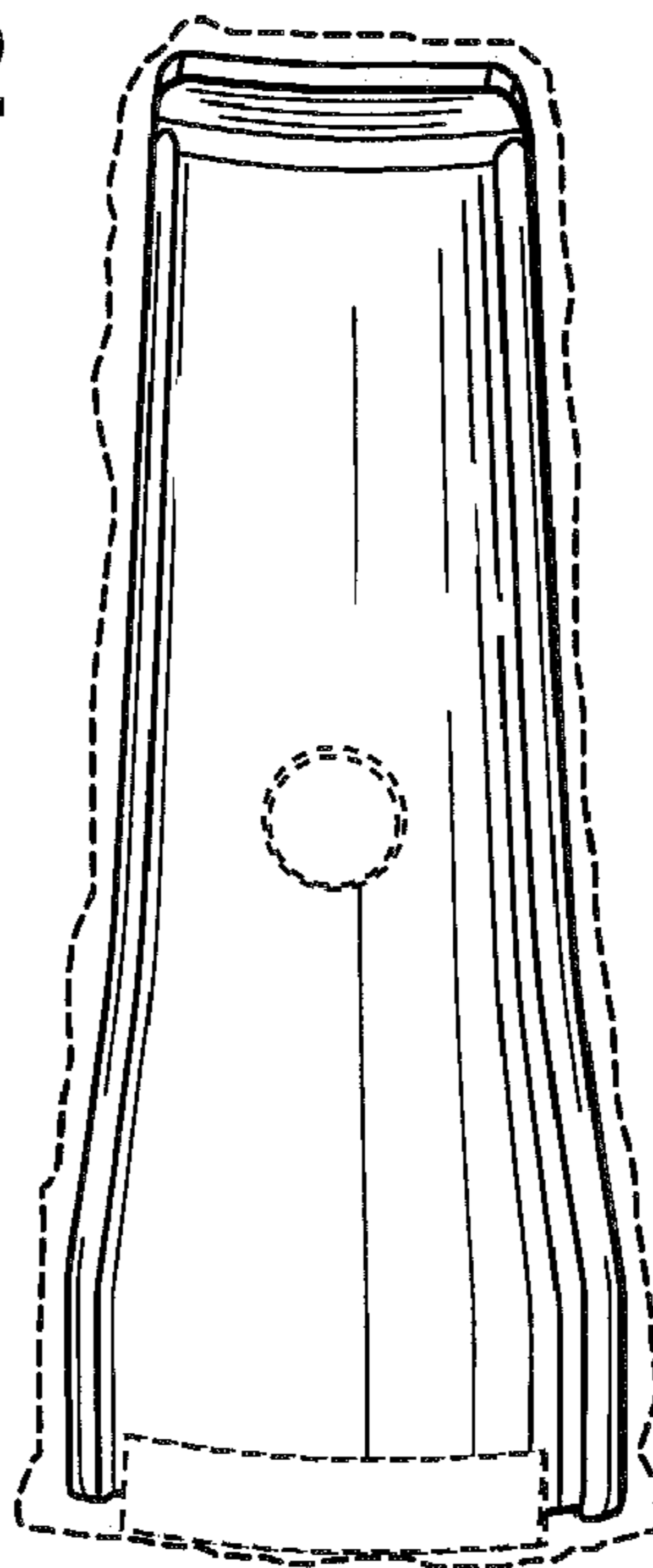


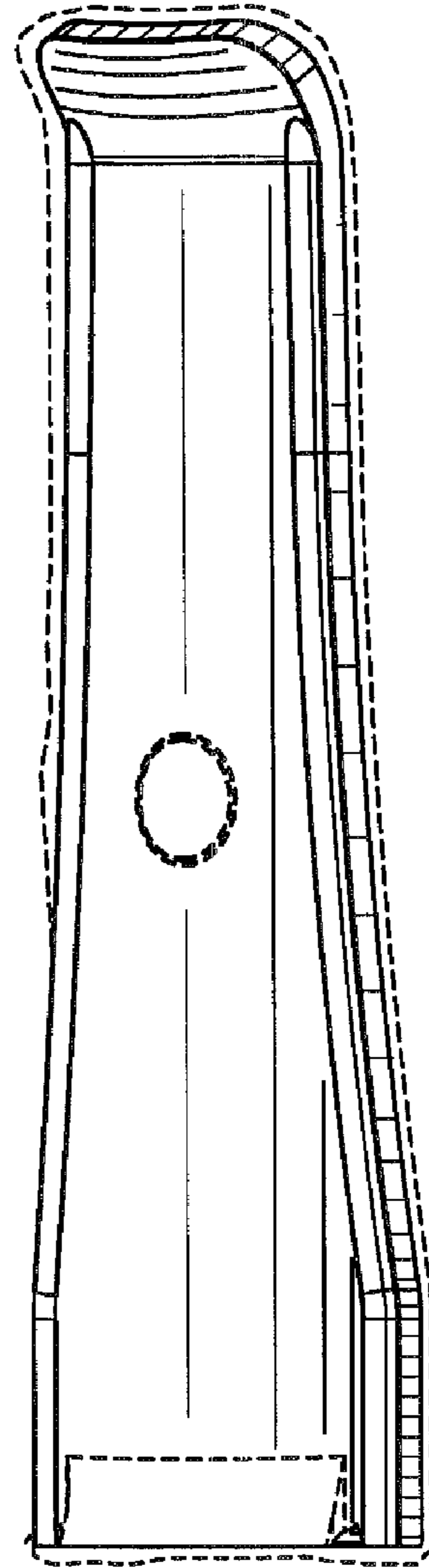
Fig. 2



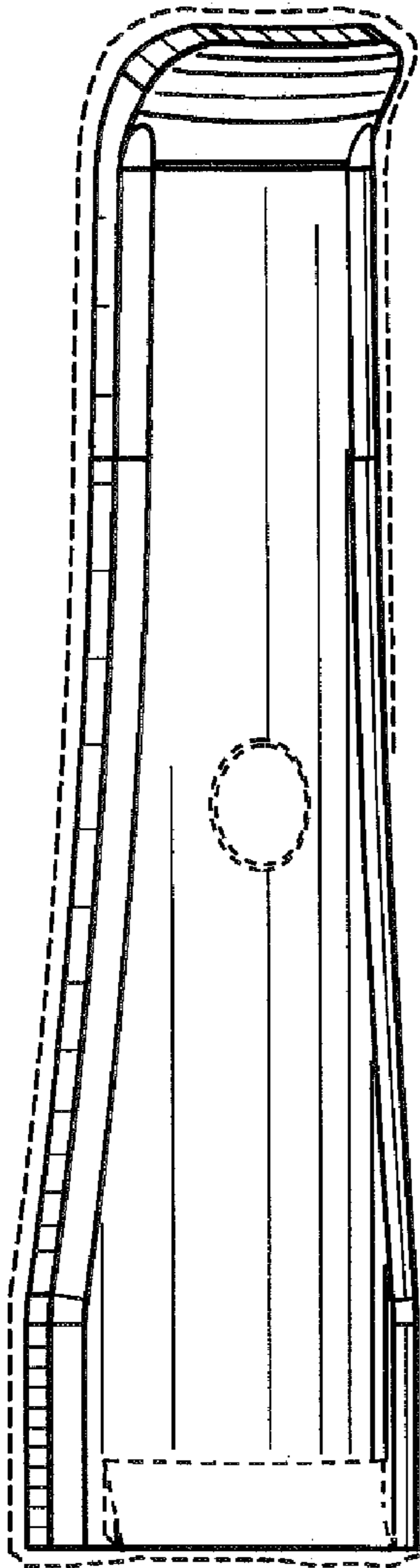
**Fig. 3**



**Fig. 4**



**Fig. 5**



**Fig. 6**

