

US00D549819S

(12) **United States Design Patent** (10) **Patent No.:** **US D549,819 S**
Gajewski (45) **Date of Patent:** **** Aug. 28, 2007**

(54) **CEILING FAN BLADE**

OTHER PUBLICATIONS

(75) Inventor: **Mark Gajewski**, Avila Beach, CA (US)

U.S. Appl. No. 29/249,800.

U.S. Appl. No. 29/249,805.

(73) Assignee: **Minka Lighting, Inc.**, Corona, CA (US)

* cited by examiner

(**) Term: **14 Years**

Primary Examiner—Lisa Lichtenstein

(74) *Attorney, Agent, or Firm*—Baker & McKenzie LLP

(21) Appl. No.: **29/249,803**

(57) **CLAIM**

(22) Filed: **Oct. 23, 2006**

The ornamental design for a ceiling fan blade, as shown and described.

(51) **LOC (8) Cl.** **23-04**

DESCRIPTION

(52) **U.S. Cl.** **D23/413**

FIG. 1 is a perspective view from below of a ceiling fan blade in accordance with my design;

(58) **Field of Classification Search** D23/377,
D23/379, 385, 411, 413; 416/5
See application file for complete search history.

FIG. 2 is a side elevation view of the ceiling fan blade in accordance with my design, the opposite side being a mirror image of that shown;

(56) **References Cited**

FIG. 3 is a bottom plan view of the ceiling fan blade in accordance with my design; and,

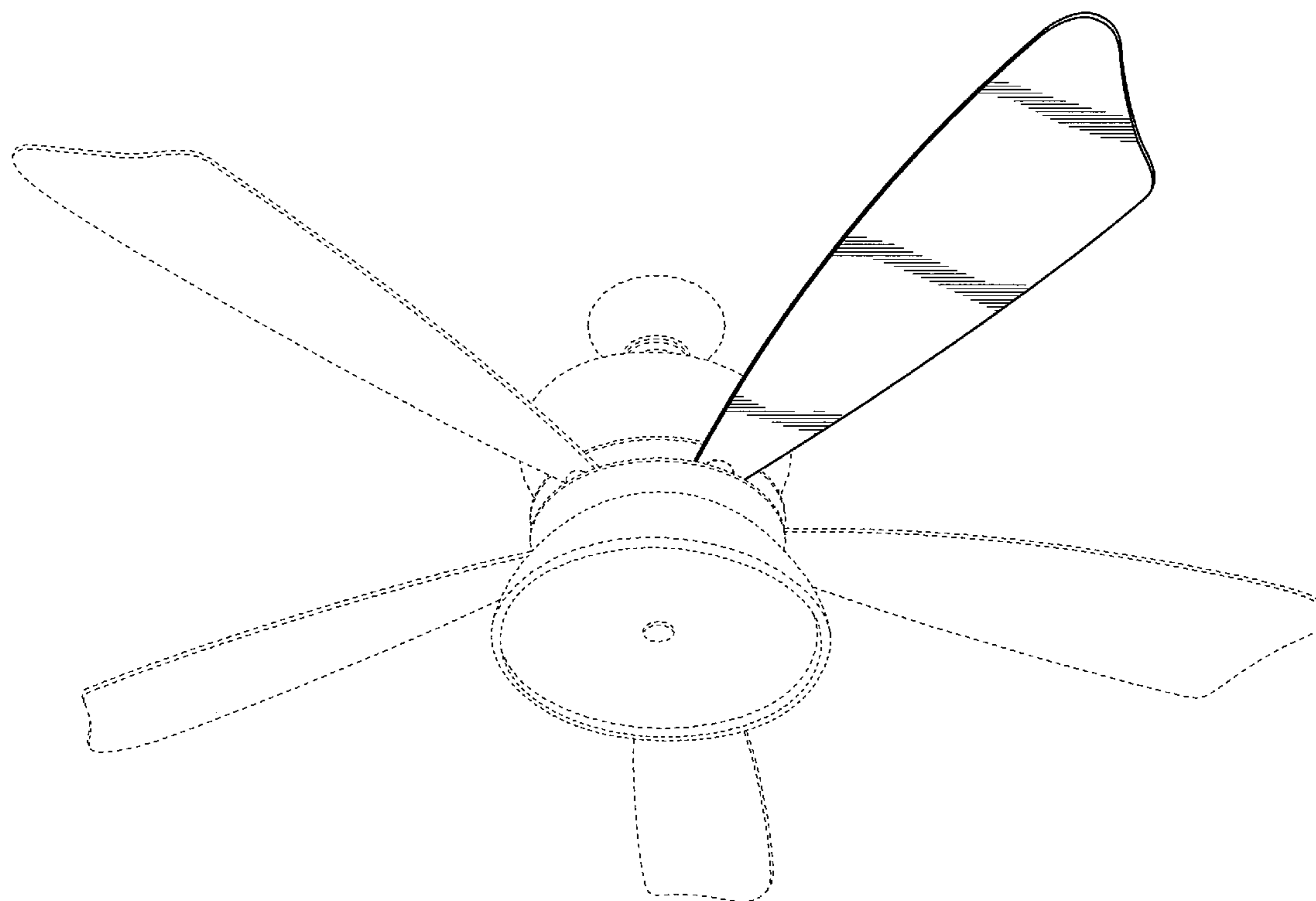
U.S. PATENT DOCUMENTS

FIG. 4 is an enlarged top plan view of the ceiling fan blade in accordance with my design.

D388,871 S	1/1998	Gee, II	
D473,639 S *	4/2003	Gajewski D23/411
D476,410 S *	6/2003	Young D23/411
D478,654 S	8/2003	Hidalgo	
D478,980 S *	8/2003	Hidalgo D23/413
D511,000 S	10/2005	Young	
D537,932 S *	3/2007	Young D23/377

The broken line showing of the support member, ceiling fan housing, blades, canopy and light fixture is included for the purpose of illustrating environmental structure and forms no part of the claimed design.

1 Claim, 3 Drawing Sheets



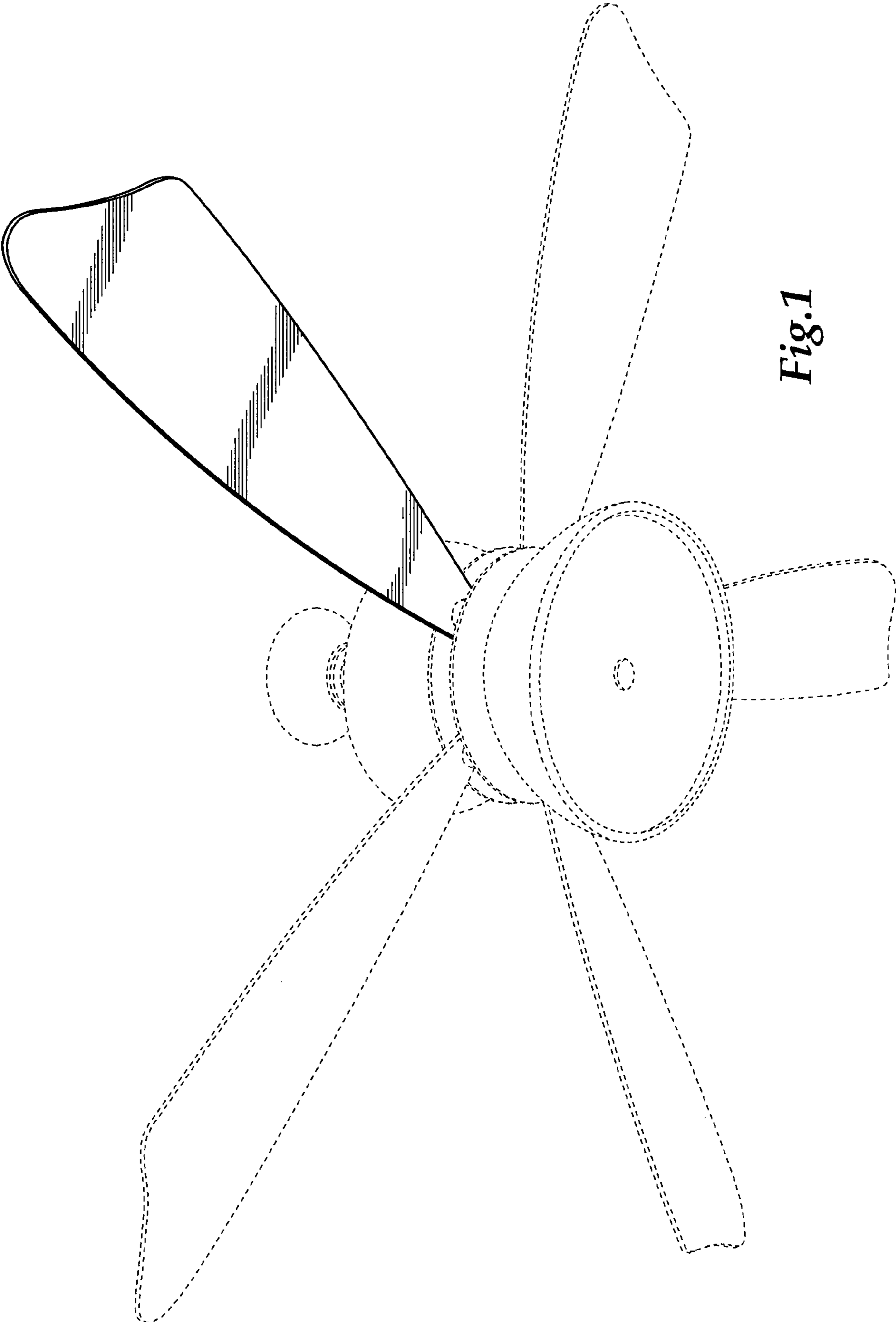


Fig. 1

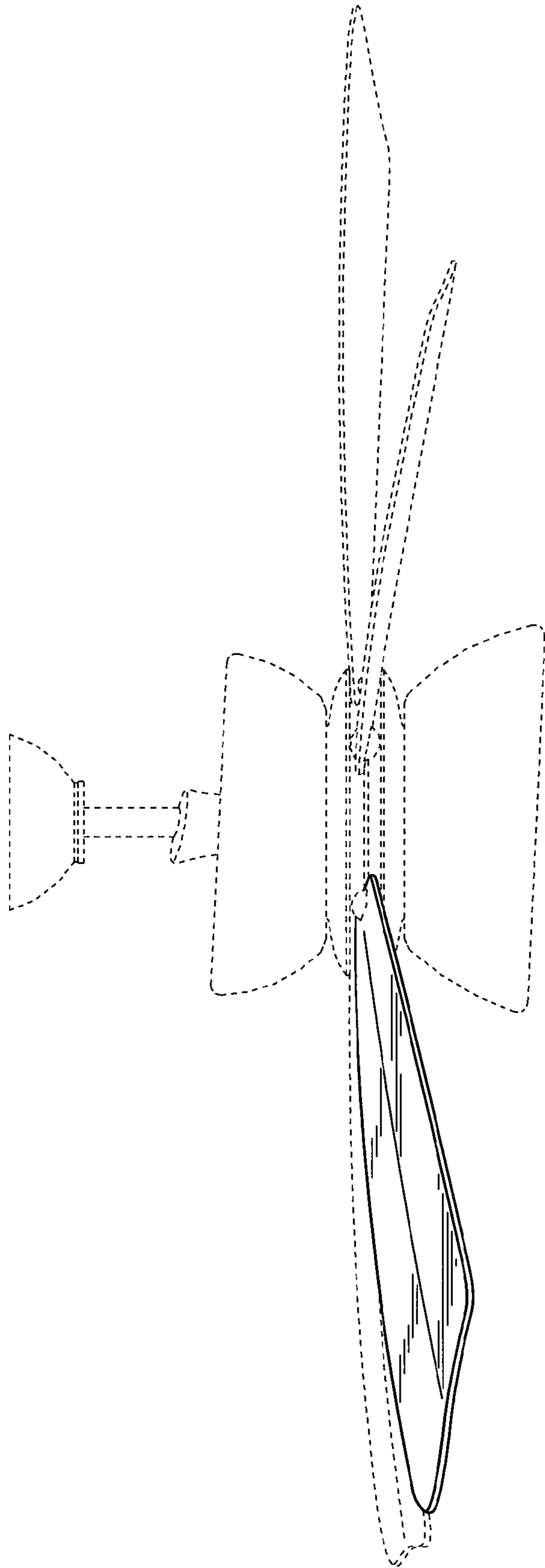


Fig. 2

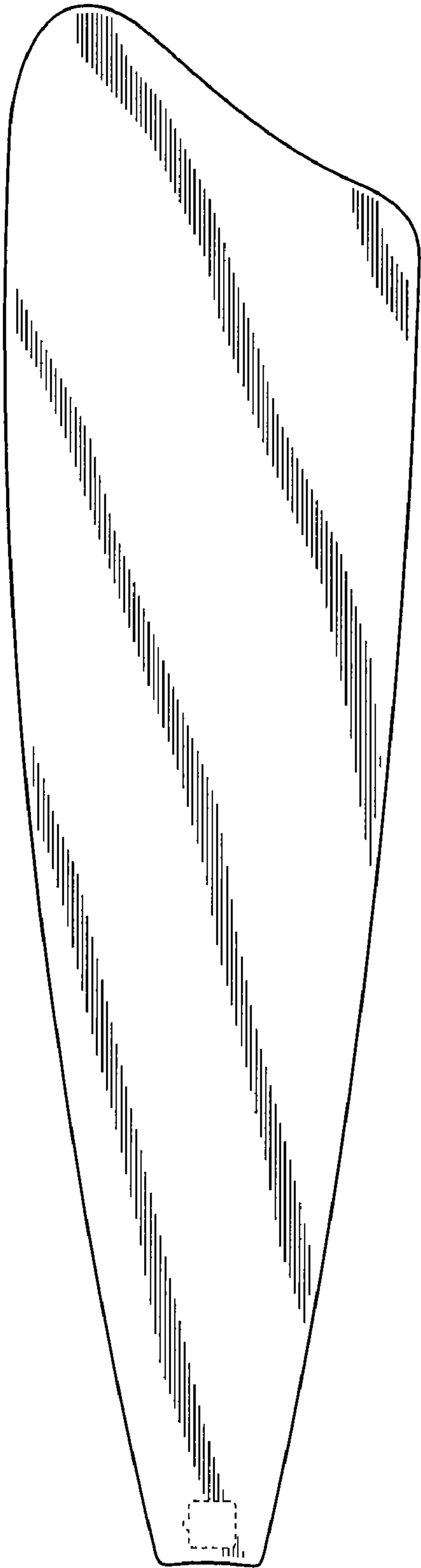


Fig.3

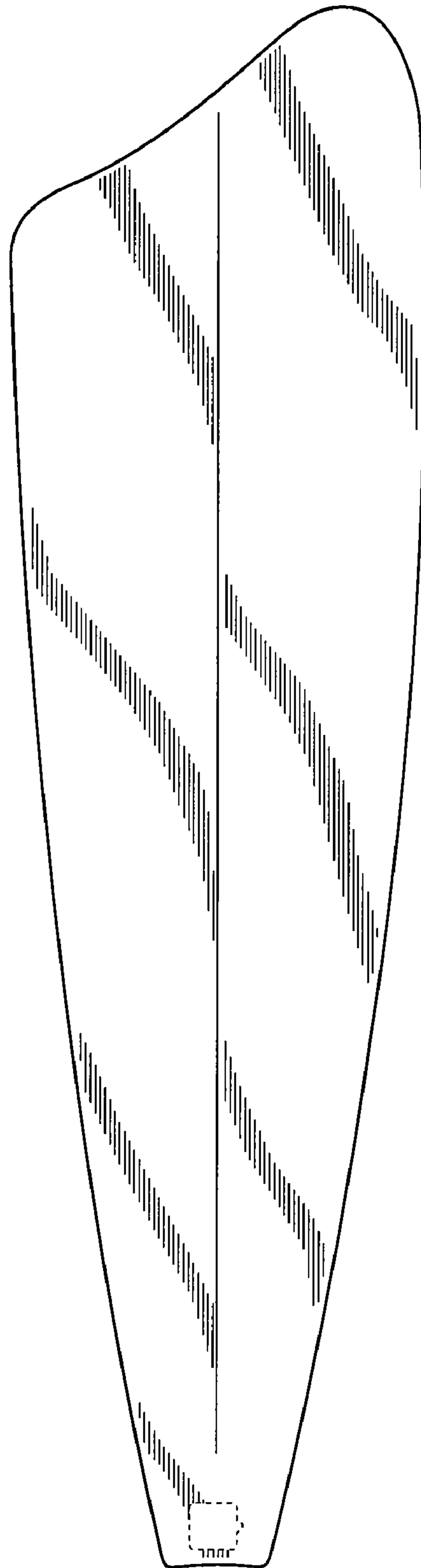


Fig.4