

US00D549818S

(12) **United States Design Patent**
Gajewski

(10) **Patent No.:** **US D549,818 S**

(45) **Date of Patent:** **** Aug. 28, 2007**

(54) **CEILING FAN BLADE SUPPORT ASSEMBLY**

Primary Examiner—Lisa Lichtenstein

(75) Inventor: **Mark Gajewski**, Avila Beach, CA (US)

(74) *Attorney, Agent, or Firm*—Baker & McKenzie LLP

(73) Assignee: **Minka Lighting, Inc.**, Corona, CA (US)

(57) **CLAIM**

(**) Term: **14 Years**

The ornamental design for a ceiling fan blade support assembly, as shown and described.

(21) Appl. No.: **29/249,804**

(22) Filed: **Oct. 23, 2006**

DESCRIPTION

(51) **LOC (8) Cl.** **23-04**

(52) **U.S. Cl.** **D23/411**

(58) **Field of Classification Search** D23/411,
D23/413, 377, 379, 385; 416/5; D26/59,
D26/51, 72, 80–86, 73

See application file for complete search history.

FIG. 1 is a side elevation view of a ceiling fan blade support assembly in accordance with my design, the opposite view being a mirror image thereof;

FIG. 2 is an enlarged perspective view from below of the ceiling fan blade support assembly without a fan blade in accordance with my design;

FIG. 3 is a greatly enlarged perspective view from below of the ceiling fan blade support assembly with a fan blade in accordance with my design; and,

FIG. 4 is a slightly enlarged side elevation view of a ceiling fan blade support assembly in accordance with my design, the opposite view being a mirror image thereof.

(56) **References Cited**

U.S. PATENT DOCUMENTS

5,951,253 A	9/1999	Gajewski	
D473,639 S *	4/2003	Gajewski	D23/411
D476,410 S *	6/2003	Young	D23/411
D478,980 S *	8/2003	Hidalgo	D23/411
D537,932 S *	3/2007	Young	D23/377

The broken lines showing environmental structure are for illustrative purposes and form no part of the claimed design.

The broken line showing of the support member, ceiling fan housing, blades, canopy and light fixture is included for the purpose of illustrating environmental structure and forms no part of the claimed design.

The ceiling fan blade support assembly is shown broken-away in FIGS. 2–4 for ease of illustration.

OTHER PUBLICATIONS

U.S. Appl. No. 29/249,800.

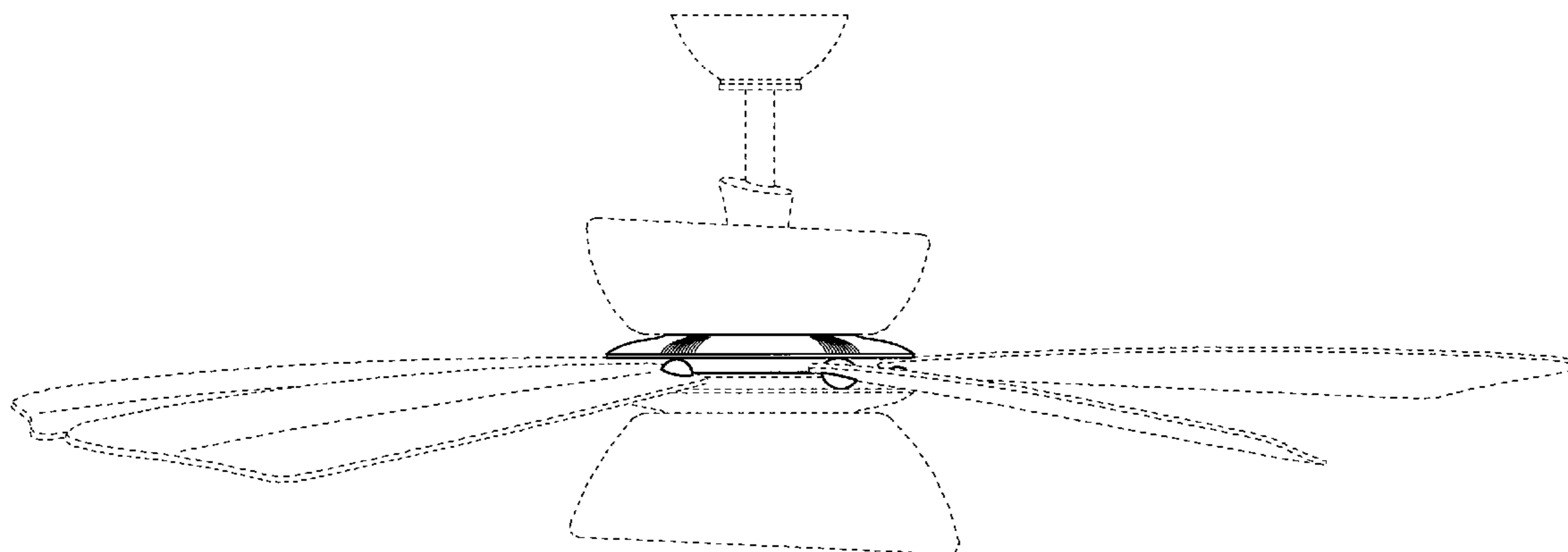
U.S. Appl. No. 29/249,805.

MinkaAire Internet Catalog; Espacio ceiling fan; Model F-760; printed from minkagroup.net.

MinkaAire Internet Catalog; San Francisco ceiling fan; Model F-529; printed from minkagroup.net.

* cited by examiner

1 Claim, 3 Drawing Sheets



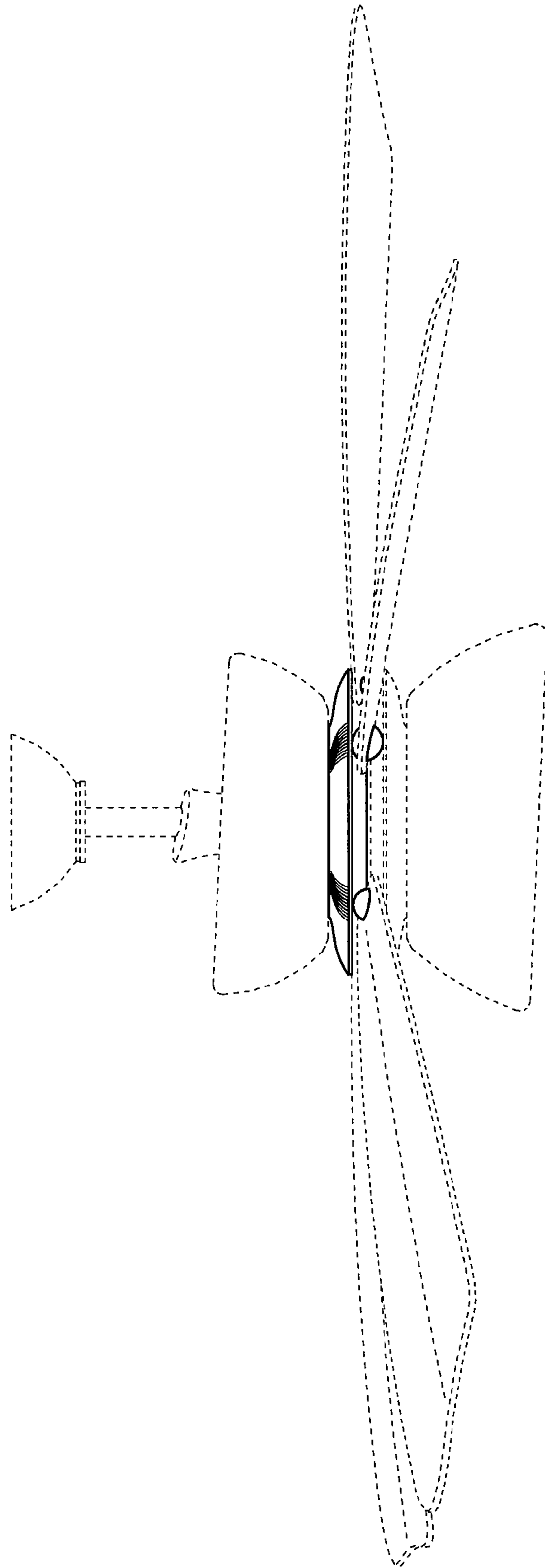


Fig.1

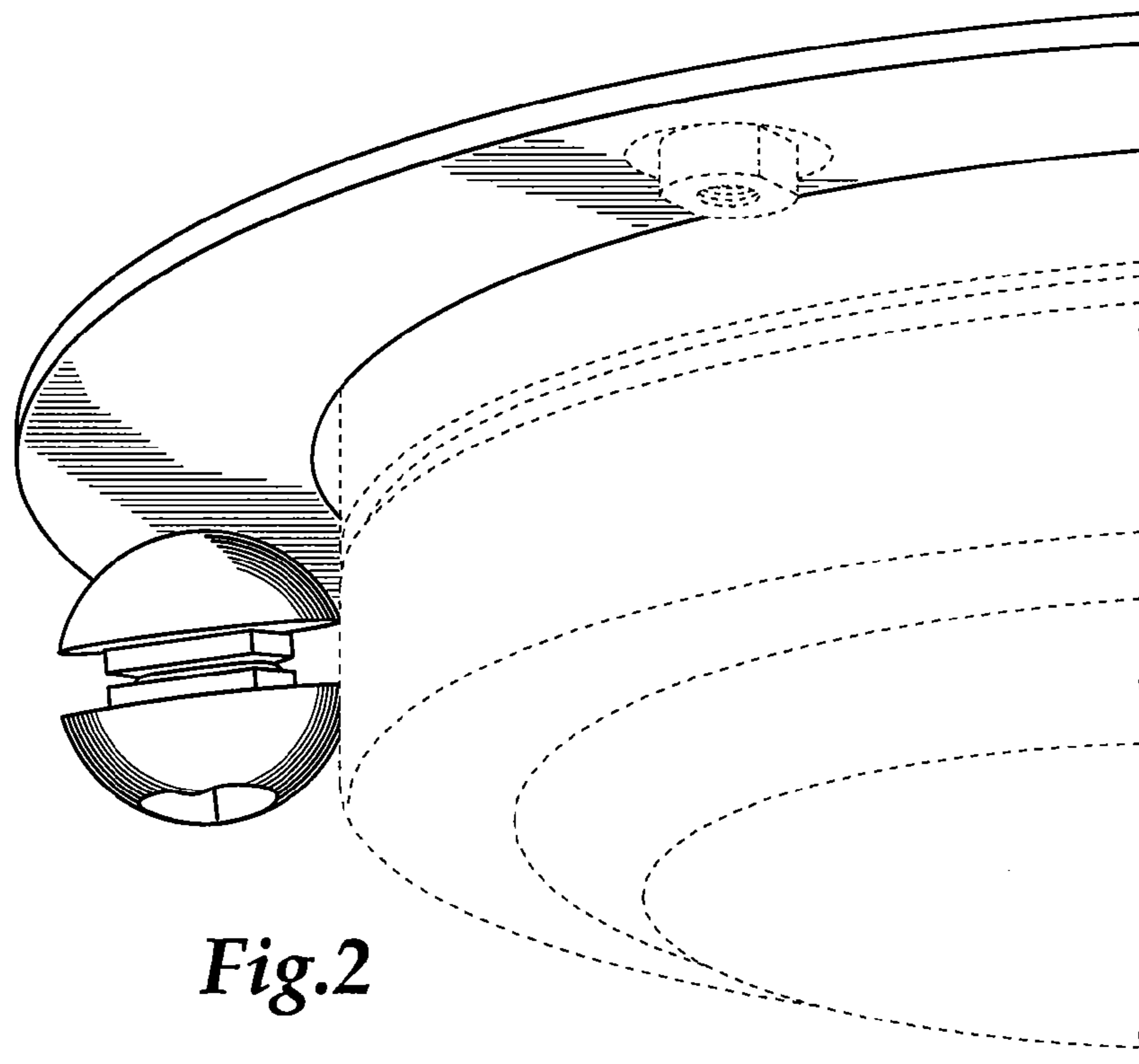


Fig. 2

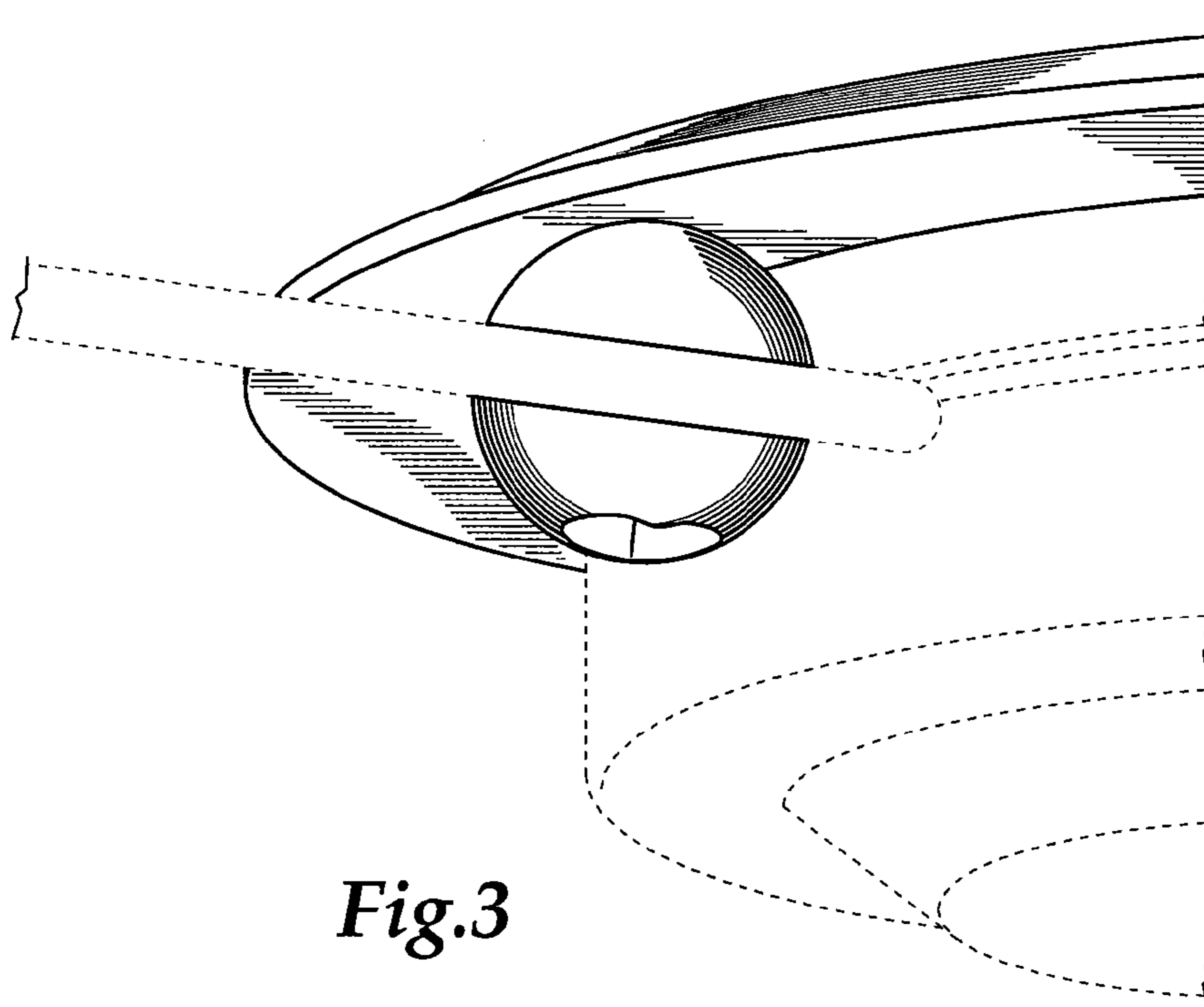


Fig. 3

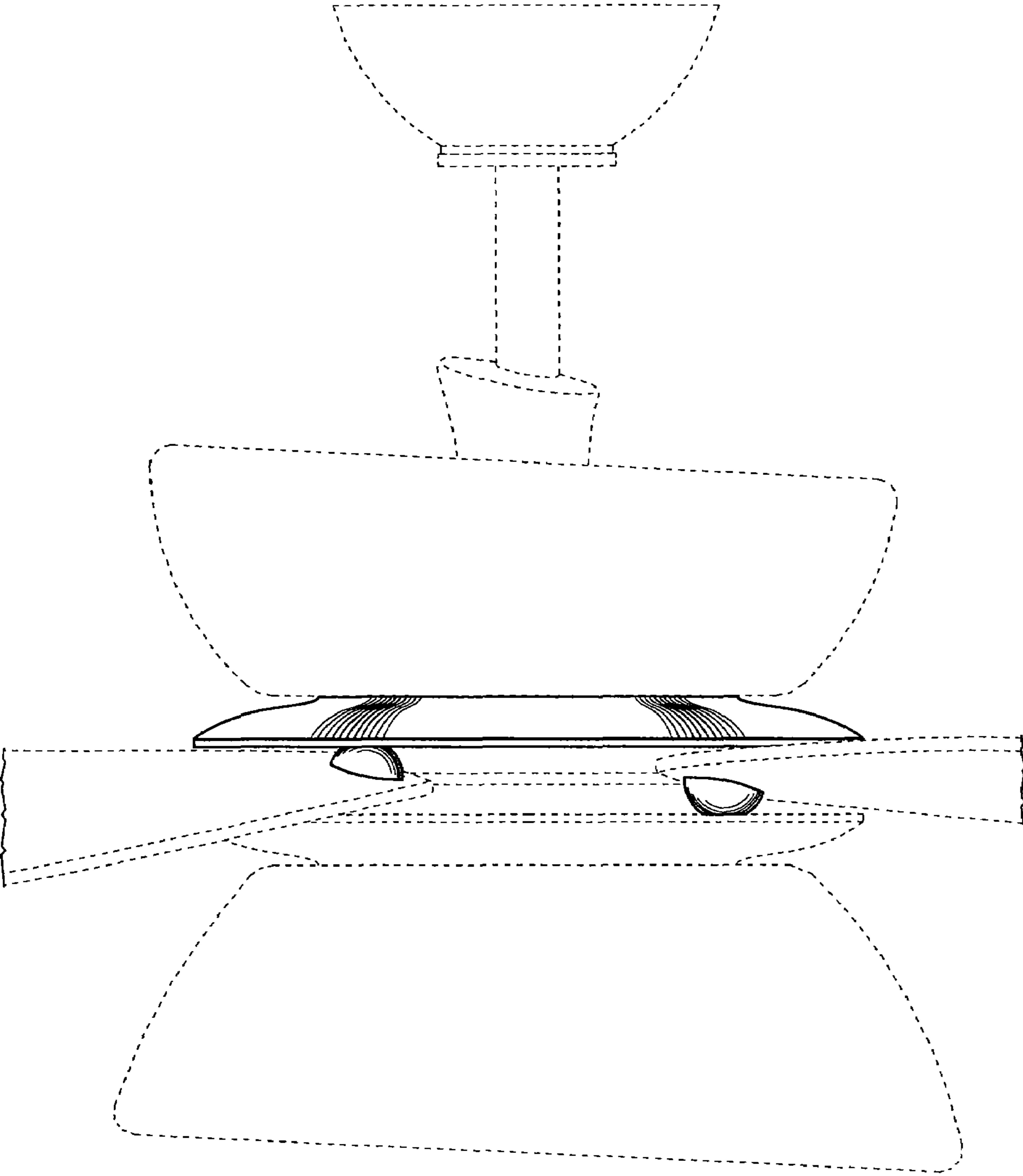


Fig.4

UNITED STATES PATENT AND TRADEMARK OFFICE
CERTIFICATE OF CORRECTION

PATENT NO. : Des. 549,818 S
APPLICATION NO. : 29/249804
DATED : August 28, 2007
INVENTOR(S) : Mark Gajewski

Page 1 of 1

It is certified that error appears in the above-identified patent and that said Letters Patent is hereby corrected as shown below:

Title Page;

On the first page under Description, please delete the following paragraph "The broken lines showing environmental structure are for illustrative purposes and form no part of the claimed design."

Signed and Sealed this

Twenty-fifth Day of December, 2007

A handwritten signature in black ink that reads "Jon W. Dudas". The signature is written in a cursive style with a large, looped initial "J".

JON W. DUDAS

Director of the United States Patent and Trademark Office