



US00D549817S

(12) **United States Design Patent**  
**Gajewski**

(10) **Patent No.:** **US D549,817 S**

(45) **Date of Patent:** **\*\* Aug. 28, 2007**

(54) **CEILING FAN HOUSING**

(75) Inventor: **Mark Gajewski**, Avila Beach, CA (US)

(73) Assignee: **Minka Lighting, Inc.**, Corona, CA (US)

(\*\*) Term: **14 Years**

(21) Appl. No.: **29/249,801**

(22) Filed: **Oct. 23, 2006**

(51) **LOC (8) Cl.** ..... **23-04**

(52) **U.S. Cl.** ..... **D23/411**

(58) **Field of Classification Search** ..... D23/411,  
D23/413, 377, 379, 385; 416/5; D26/59,  
D26/51, 72, 80-86, 73  
See application file for complete search history.

(56) **References Cited**

**U.S. PATENT DOCUMENTS**

D473,639 S *	4/2003	Gajewski	.....	D23/411
D476,410 S *	6/2003	Young	.....	D23/411
D478,980 S *	8/2003	Hidalgo	.....	D23/411
D537,932 S *	3/2007	Young	.....	D23/377

**OTHER PUBLICATIONS**

U.S. Appl. No. 29/249,800.  
U.S. Appl. No. 29/249,802.  
U.S. Appl. No. 29/249,805.  
Besa Internet Catalog; Trilo Collection Mini Pendant; Model 33646;  
printed from lampsplus.com.  
Besa Internet Catalog; High Hat Glass Mini Pendant; Model 12433;  
printed from lampsplus.com.

Ellington Fan Internet Catalog; Enclave ceiling fan; Model ENC54BC5CR; printed from ellingtonfans.com.

\* cited by examiner

*Primary Examiner*—Lisa Lichtenstein

(74) *Attorney, Agent, or Firm*—Baker & McKenzie LLP

(57) **CLAIM**

The ornamental design for a ceiling fan housing, as shown and described.

**DESCRIPTION**

FIG. 1 is a perspective view from below of a ceiling fan housing in accordance with my design;

FIG. 2 is a greatly reduced top plan view of the ceiling fan housing in accordance with my design;

FIG. 3 is a reduced bottom plan view of the ceiling fan housing in accordance with my design;

FIG. 4 is a front elevation view of the ceiling fan housing in accordance with my design;

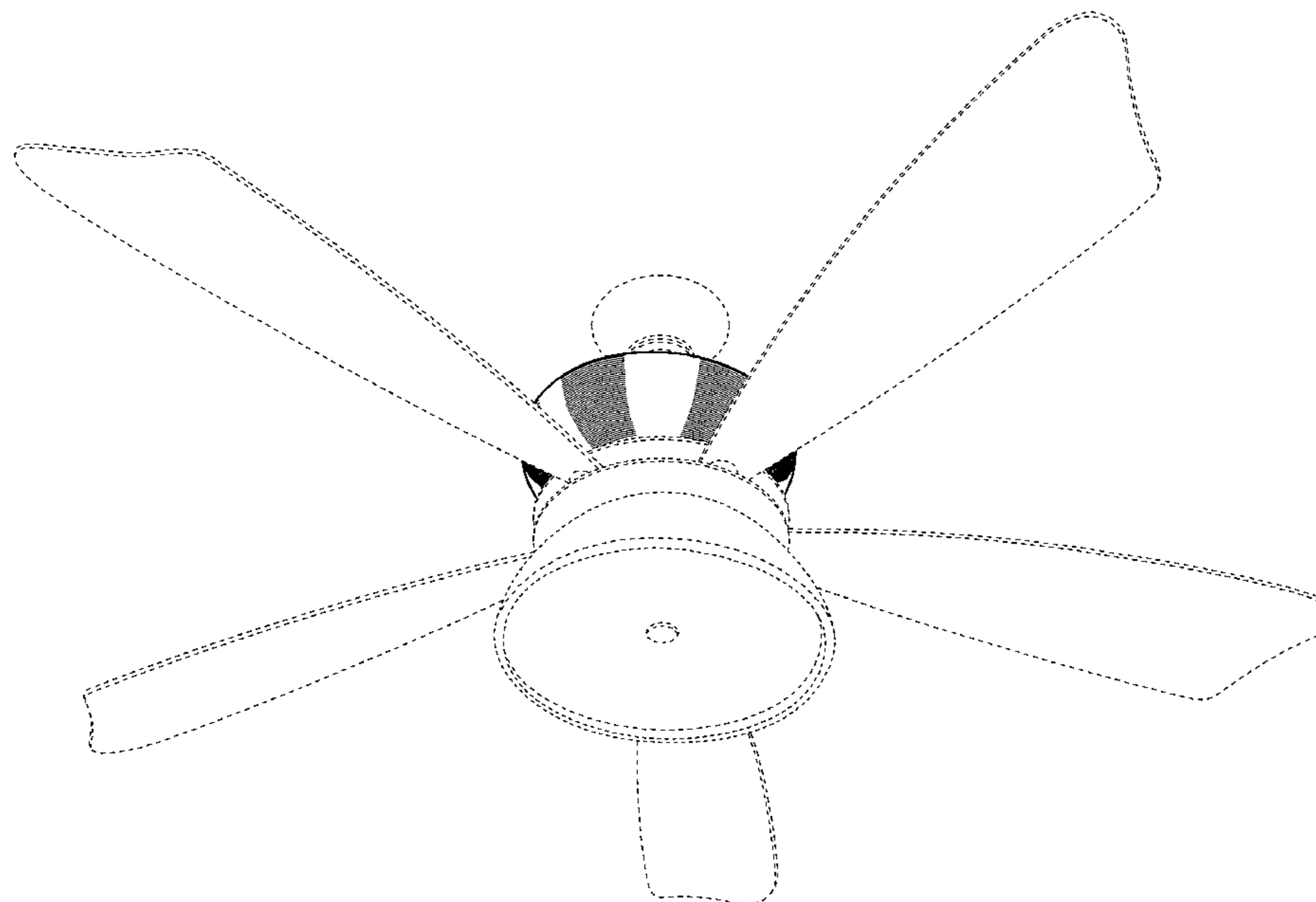
FIG. 5 is a right side elevation view of the ceiling fan housing in accordance with my design;

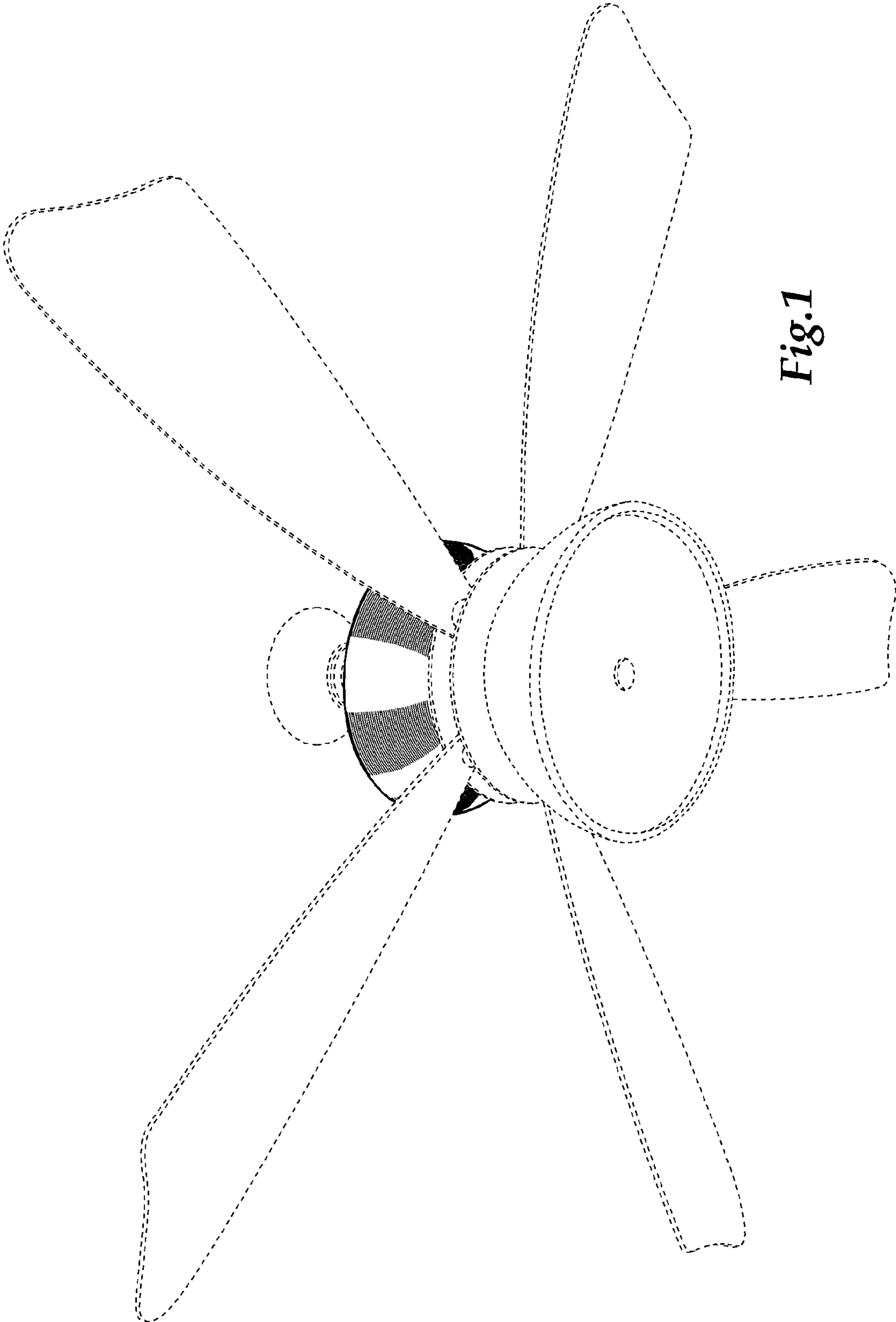
FIG. 6 is a back elevation view of the ceiling fan housing in accordance with my design; and,

FIG. 7 is a left side elevation view of the ceiling fan housing in accordance with my design.

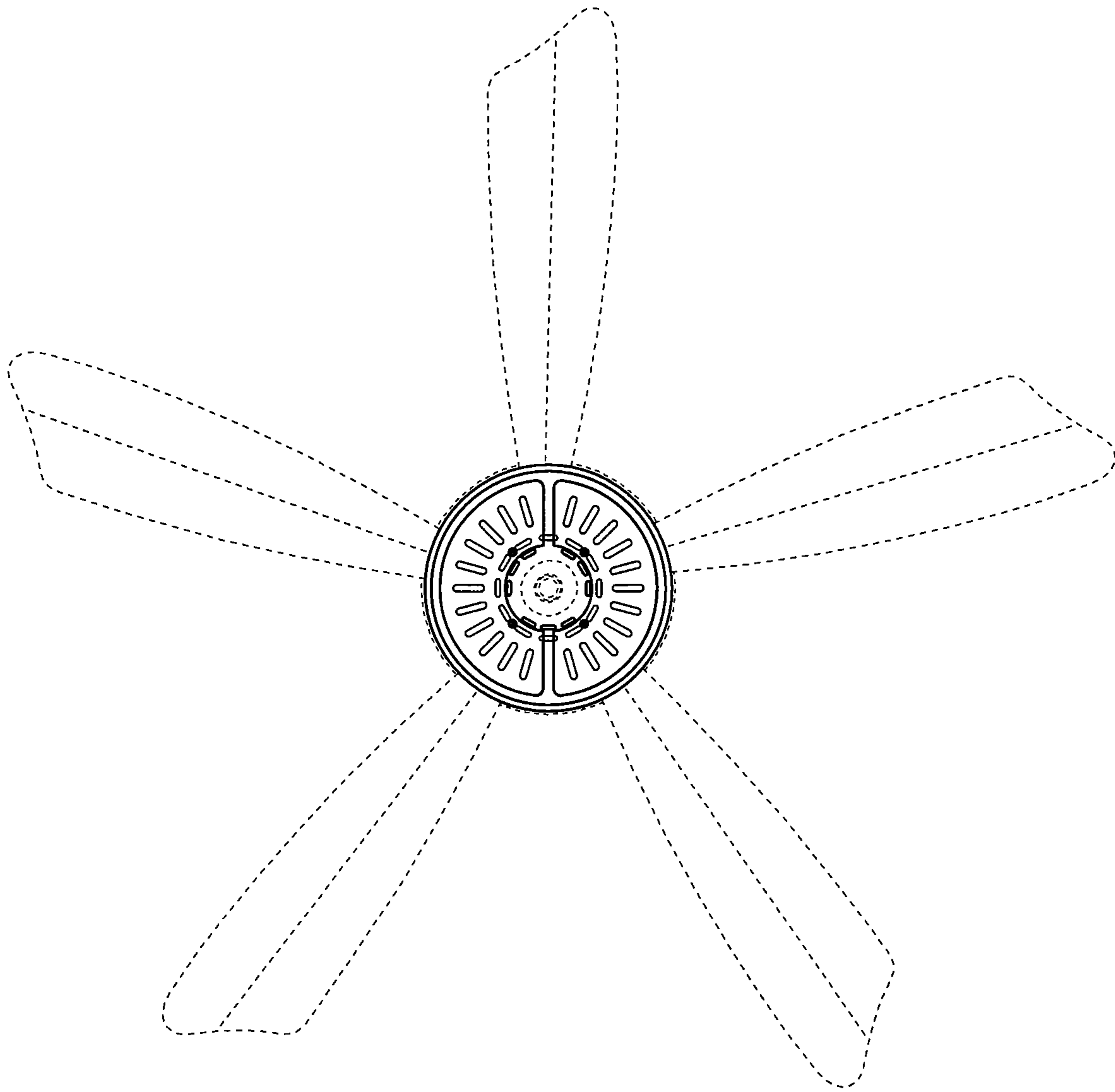
The broken line showing of the support member, blades, canopy and light fixture is included for the purpose of illustrating environmental structure and forms no part of the claimed design.

**1 Claim, 7 Drawing Sheets**

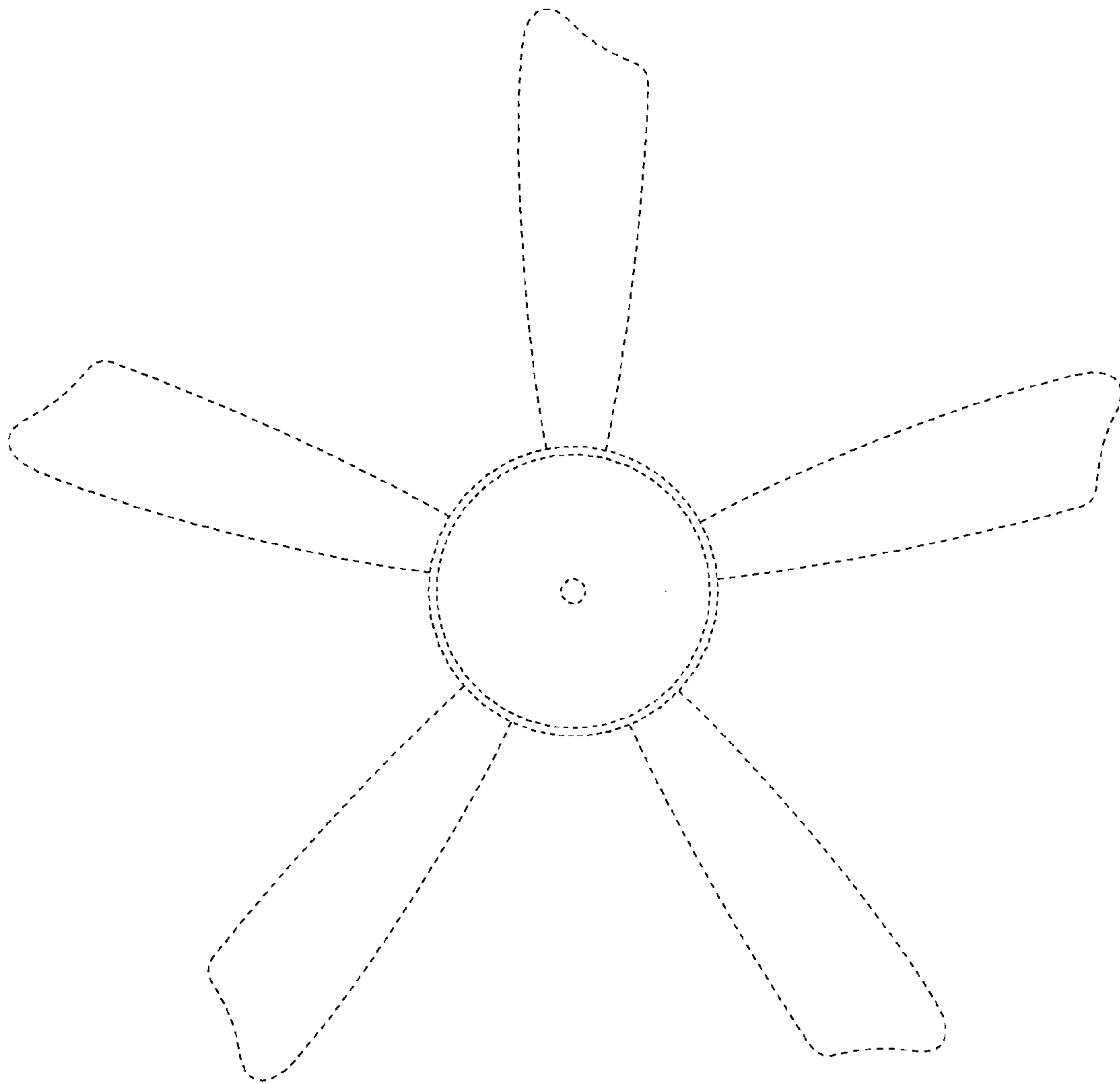




*Fig. 1*



*Fig.2*



*Fig.3*

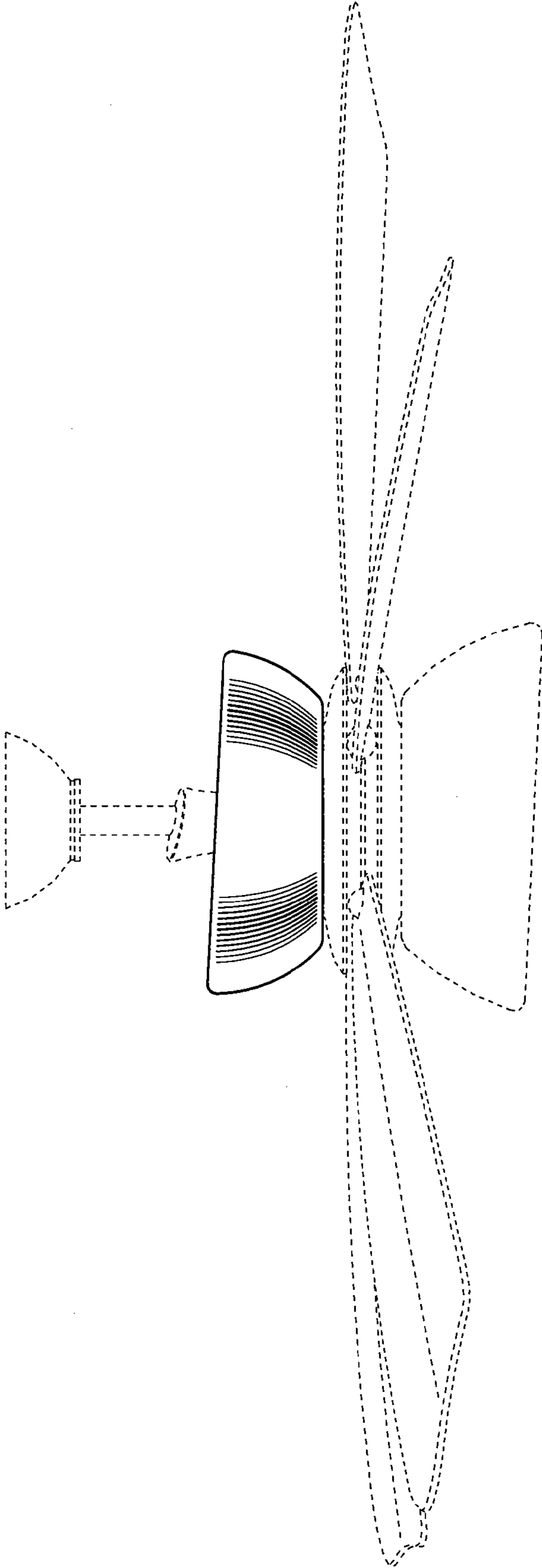


Fig.4

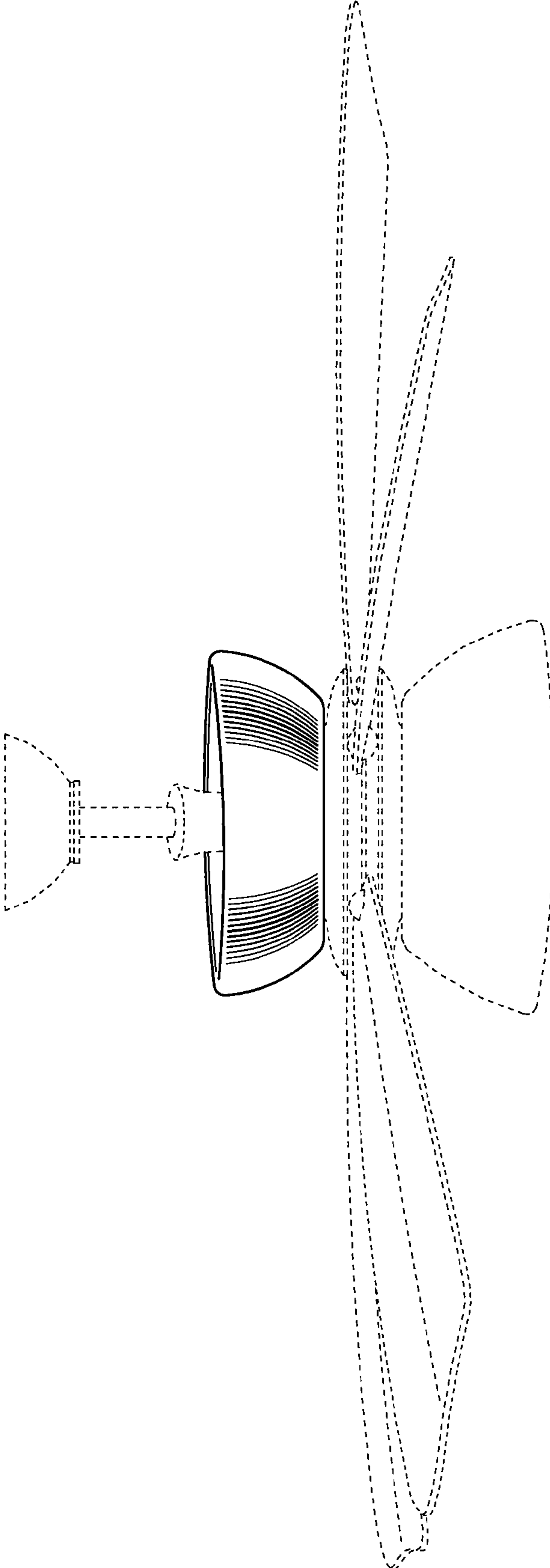


Fig.5

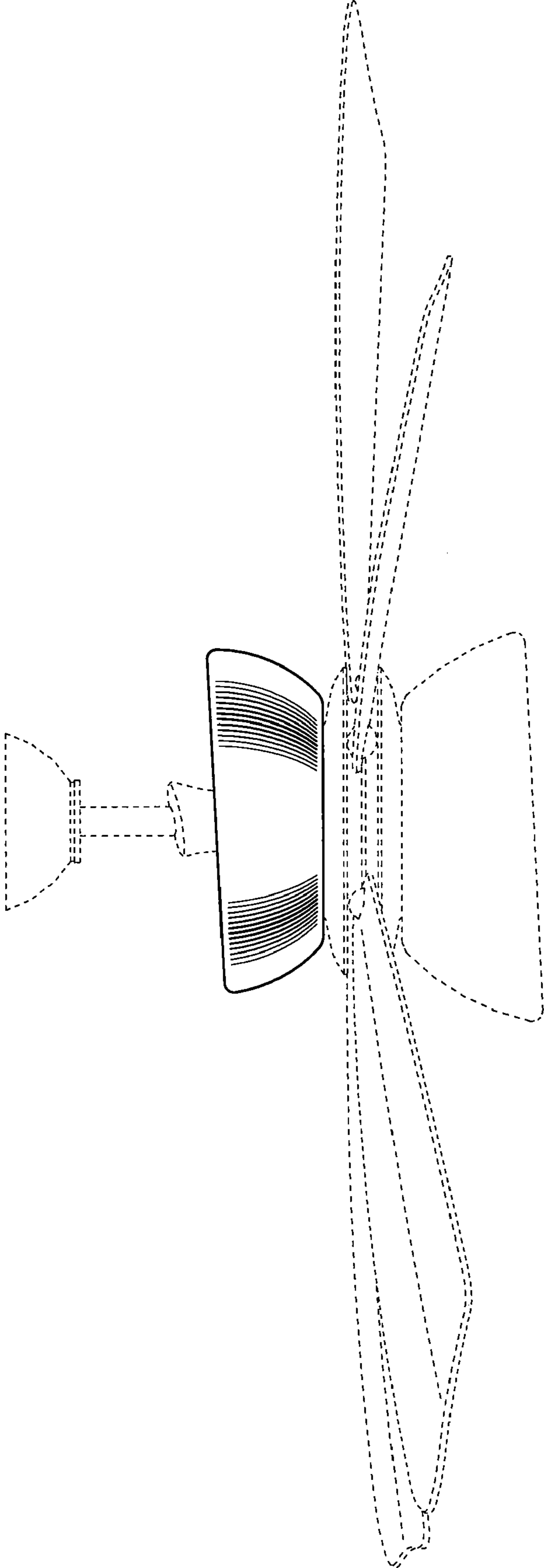


Fig.6

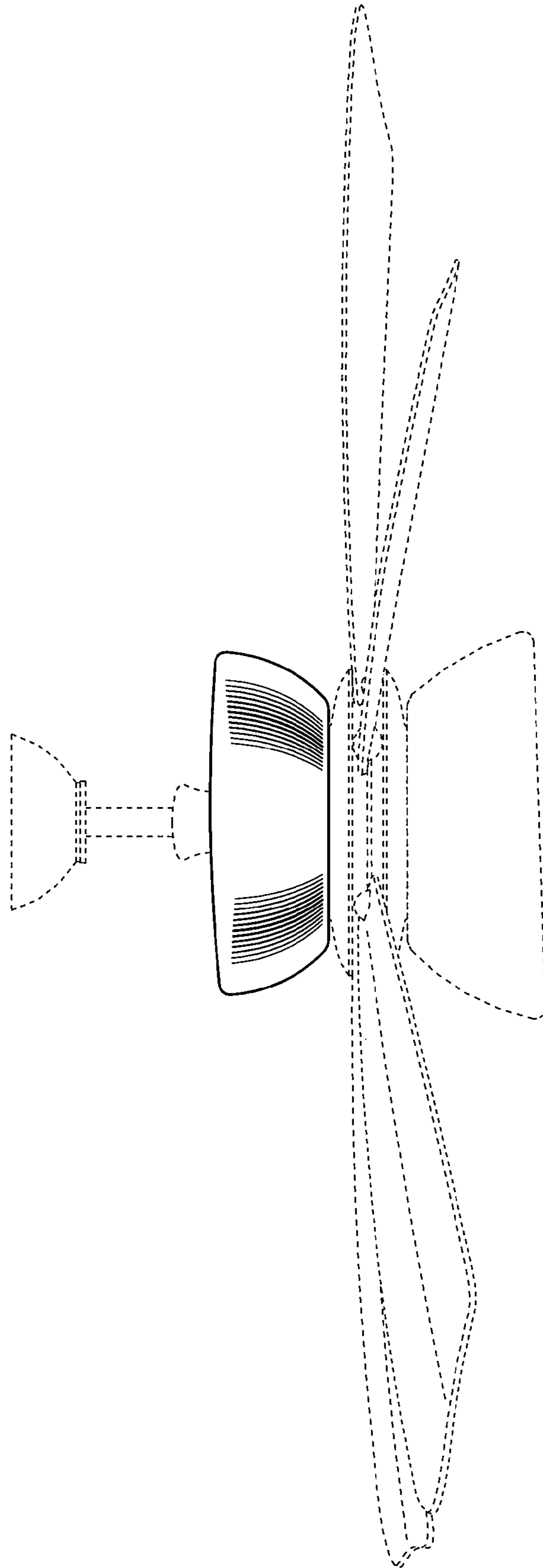


Fig. 7