



US00D549807S

(12) **United States Design Patent** (10) **Patent No.:** **US D549,807 S**  
**Kohler, Jr. et al.** (45) **Date of Patent:** **\*\* Aug. 28, 2007**

(54) **PLUMBING FIXTURE**

(75) Inventors: **Herbert V. Kohler, Jr.**, Kohler, WI (US); **Jeffrey A. Pipe**, Sheboygan, WI (US)

(73) Assignee: **Kohler Co.**, Kohler, WI (US)

(\*\*) Term: **14 Years**

(21) Appl. No.: **29/250,553**

(22) Filed: **Nov. 20, 2006**

**Related U.S. Application Data**

(62) Division of application No. 29/218,890, filed on Nov. 24, 2004, now Pat. No. Des. 532,495.

(51) **LOC (8) Cl.** ..... **23-02**

(52) **U.S. Cl.** ..... **D23/306**

(58) **Field of Classification Search** ..... D23/273, D23/276-277, 280.1-280.3, 303-306; D24/204-205; 4/538, 584  
See application file for complete search history.

(56) **References Cited**

**U.S. PATENT DOCUMENTS**

- D278,844 S \* 5/1985 Stairs, Jr. .... D23/277
- D318,323 S \* 7/1991 Stairs, Jr. .... D23/277
- D331,622 S \* 12/1992 Dannenberg ..... D23/277
- D398,381 S \* 9/1998 Singla Palacin ..... D23/277
- D490,144 S \* 5/2004 Lanius ..... D23/280.1

**OTHER PUBLICATIONS**

Kohler catalog p. 9.28, Baths, Proflex 6036 and Portrait 5'.  
American Standard catalog p. 6, Lexington and Spectra and Bildor.  
Ideal-Standard catalog p. 80, Tulip GL.

\* cited by examiner

*Primary Examiner*—Robert A. Delehanty  
(74) *Attorney, Agent, or Firm*—Quarles & Brady LLP

(57) **CLAIM**

The ornamental design for a plumbing fixture, as shown and described.

**DESCRIPTION**

In a preferred embodiment, the nature of this product is as a plumbing fixture in the form of a bathing tub, primary useful for washing the human body, and/or an apron structure therefor.

FIG. 1 is a left, top, front perspective view of a plumbing fixture according to our new design;

FIG. 2 is a front elevational view thereof;

FIG. 3 is a left side elevational view thereof;

FIG. 4 is a right side elevational view thereof;

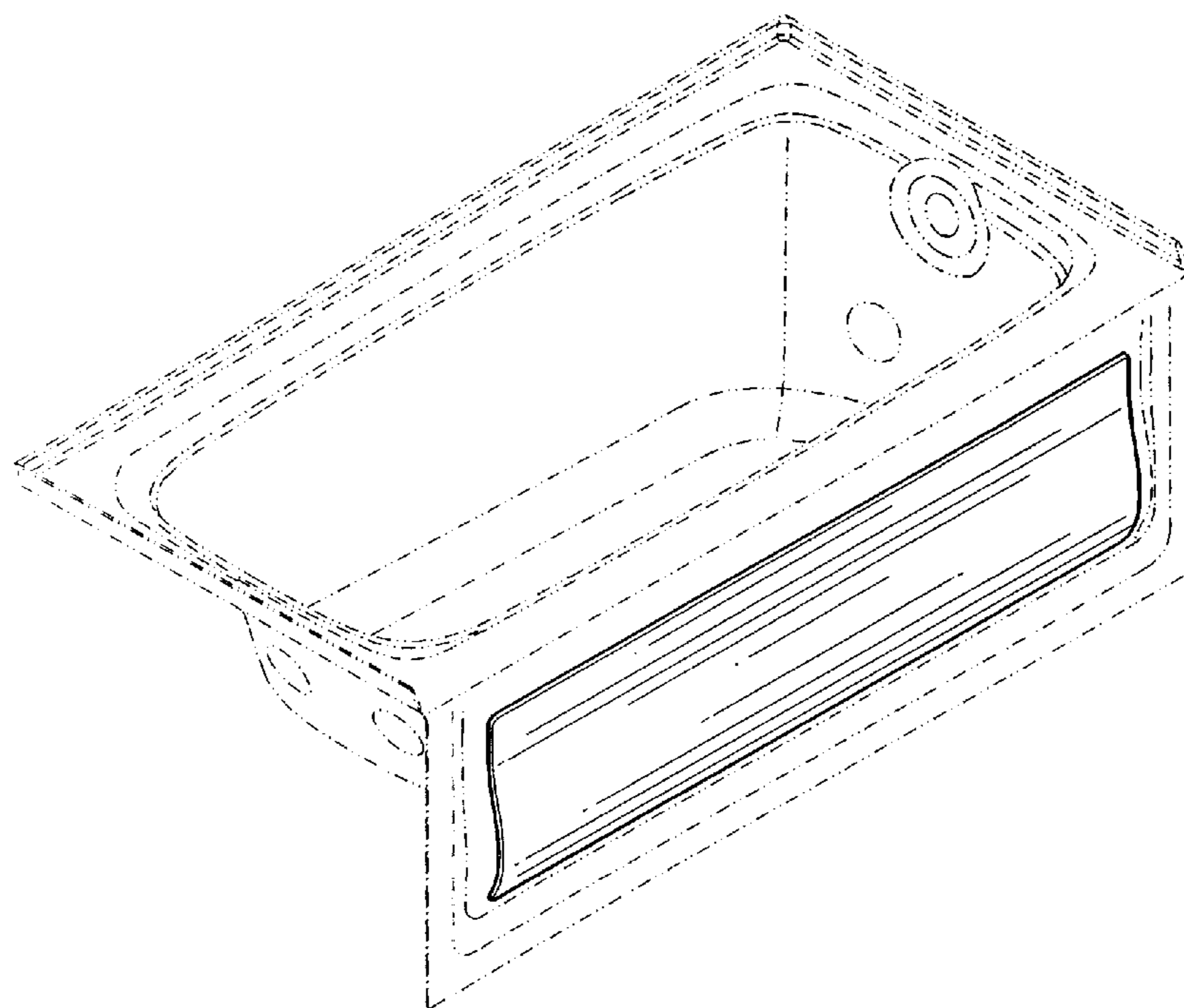
FIG. 5 is a top plan view thereof;

FIG. 6 is a bottom plan view thereof; and,

FIG. 7 is a rear elevational view thereof.

The broken line representations of tub environment and apron structure in the figures are for the purpose of illustration only, and form no part of the claimed design.

**1 Claim, 4 Drawing Sheets**



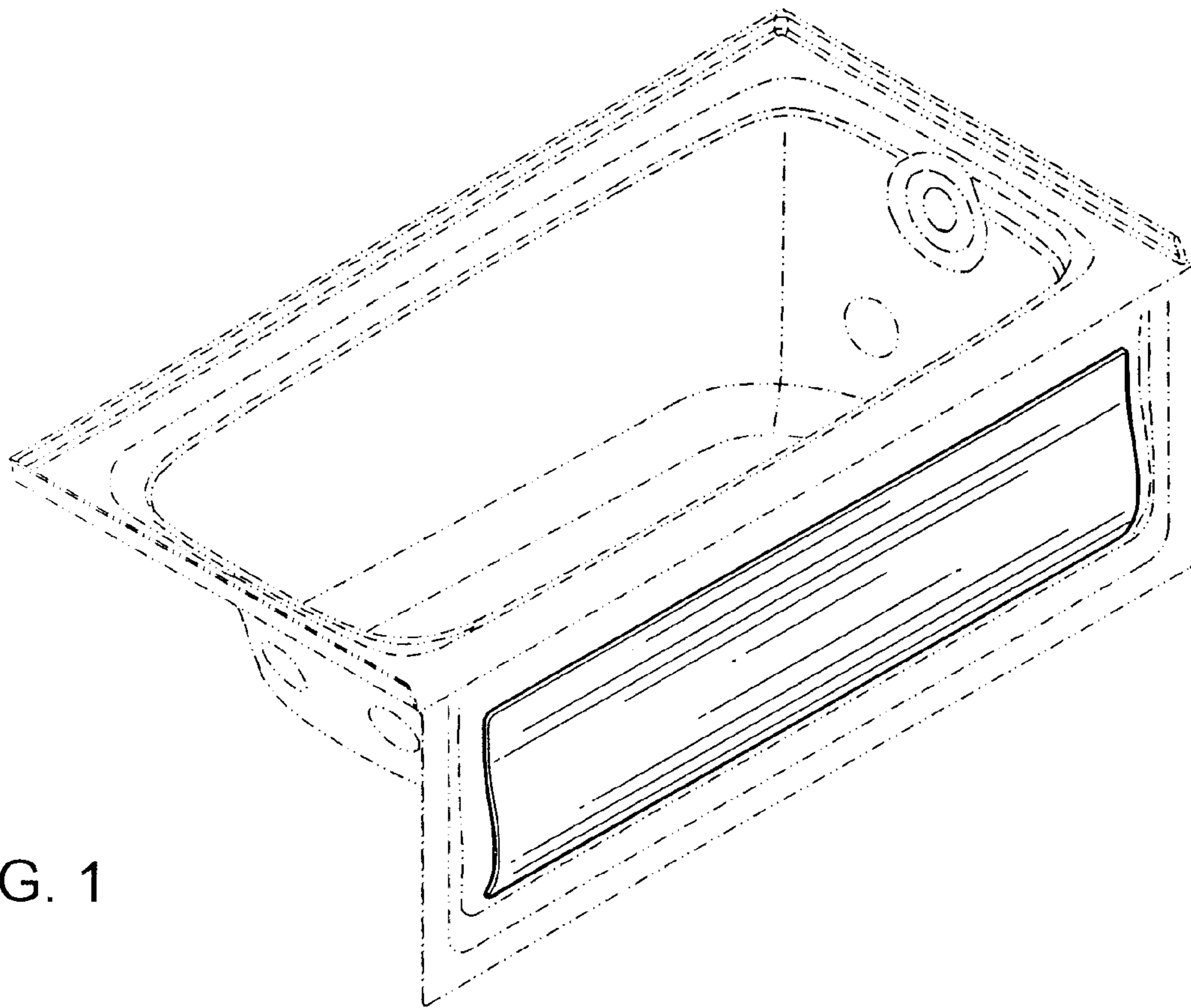


FIG. 1

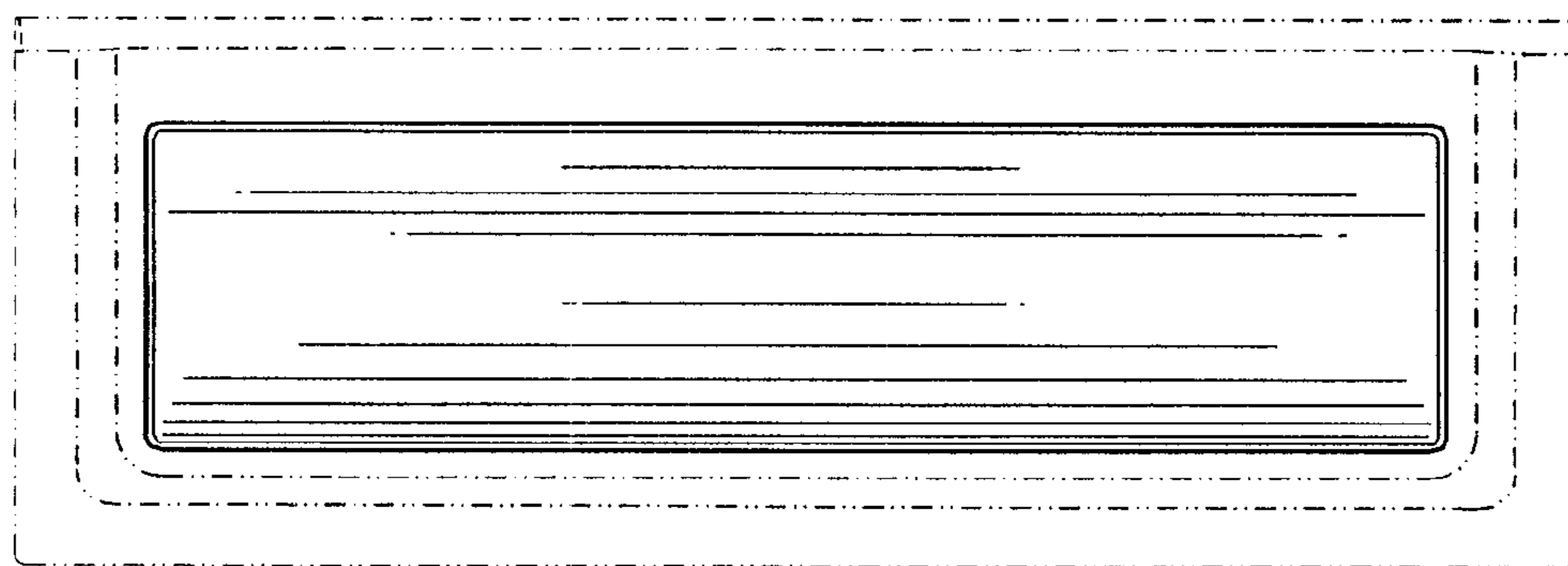


FIG. 2

FIG. 3

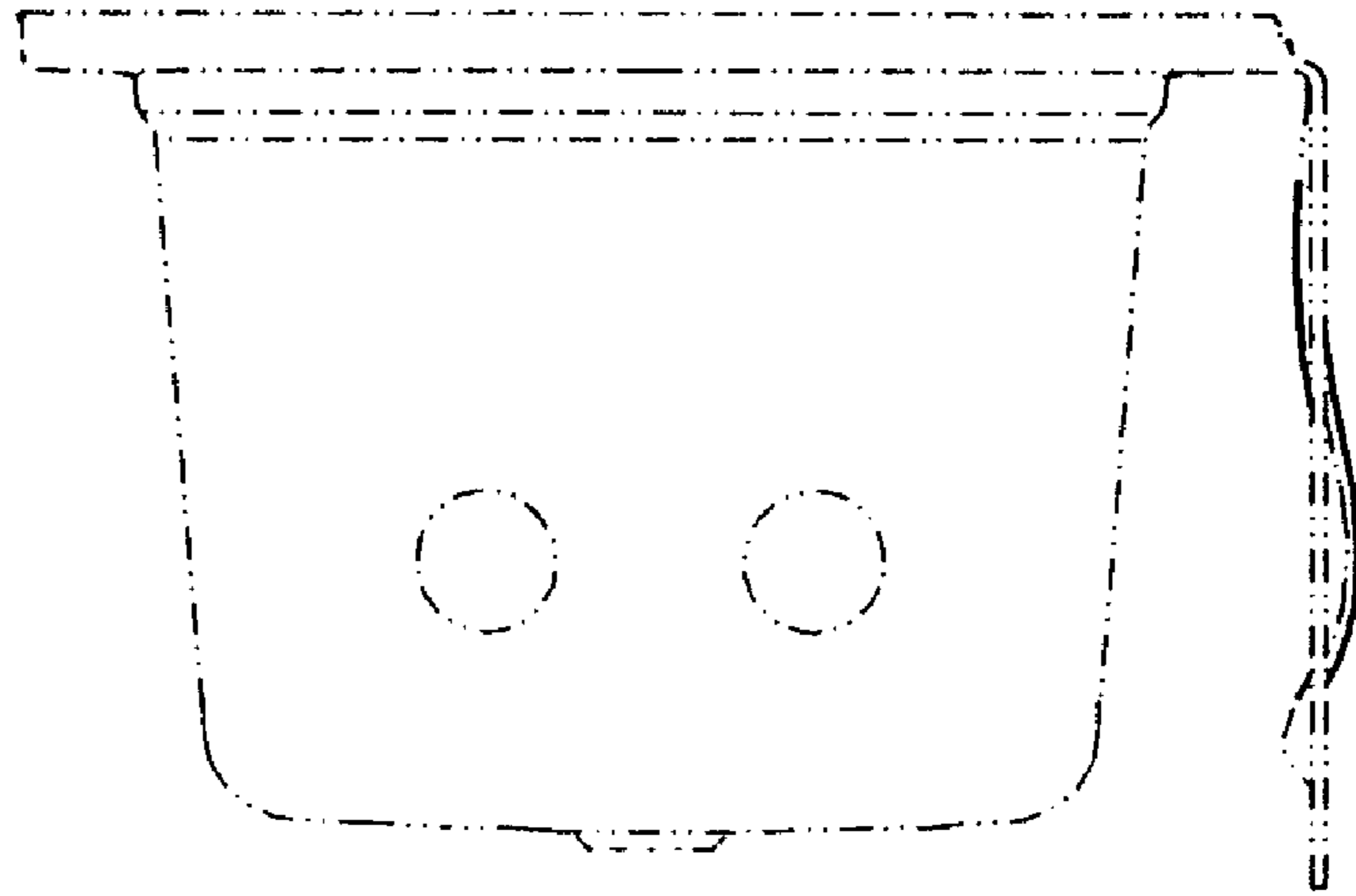


FIG. 4

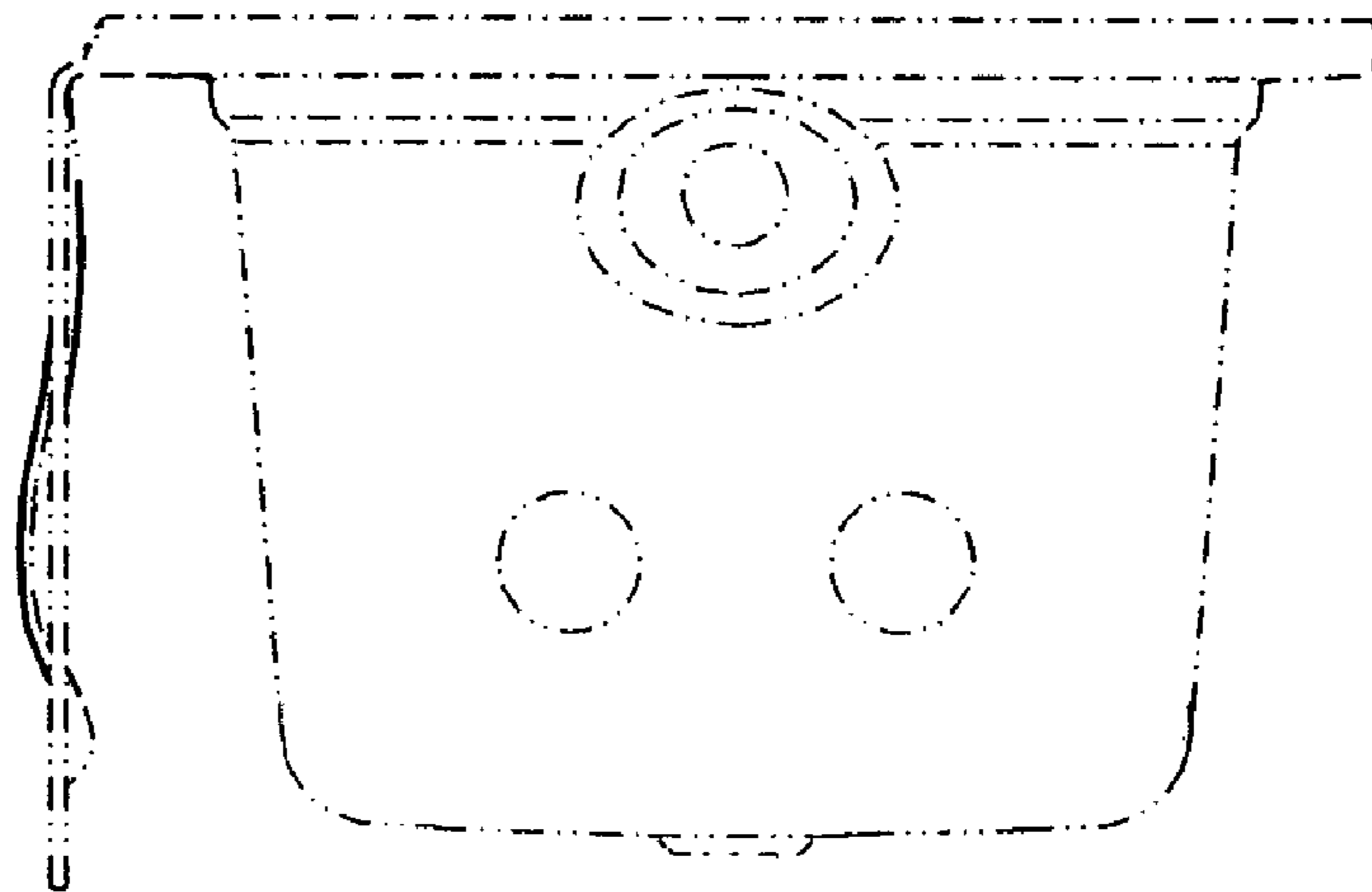


FIG. 5

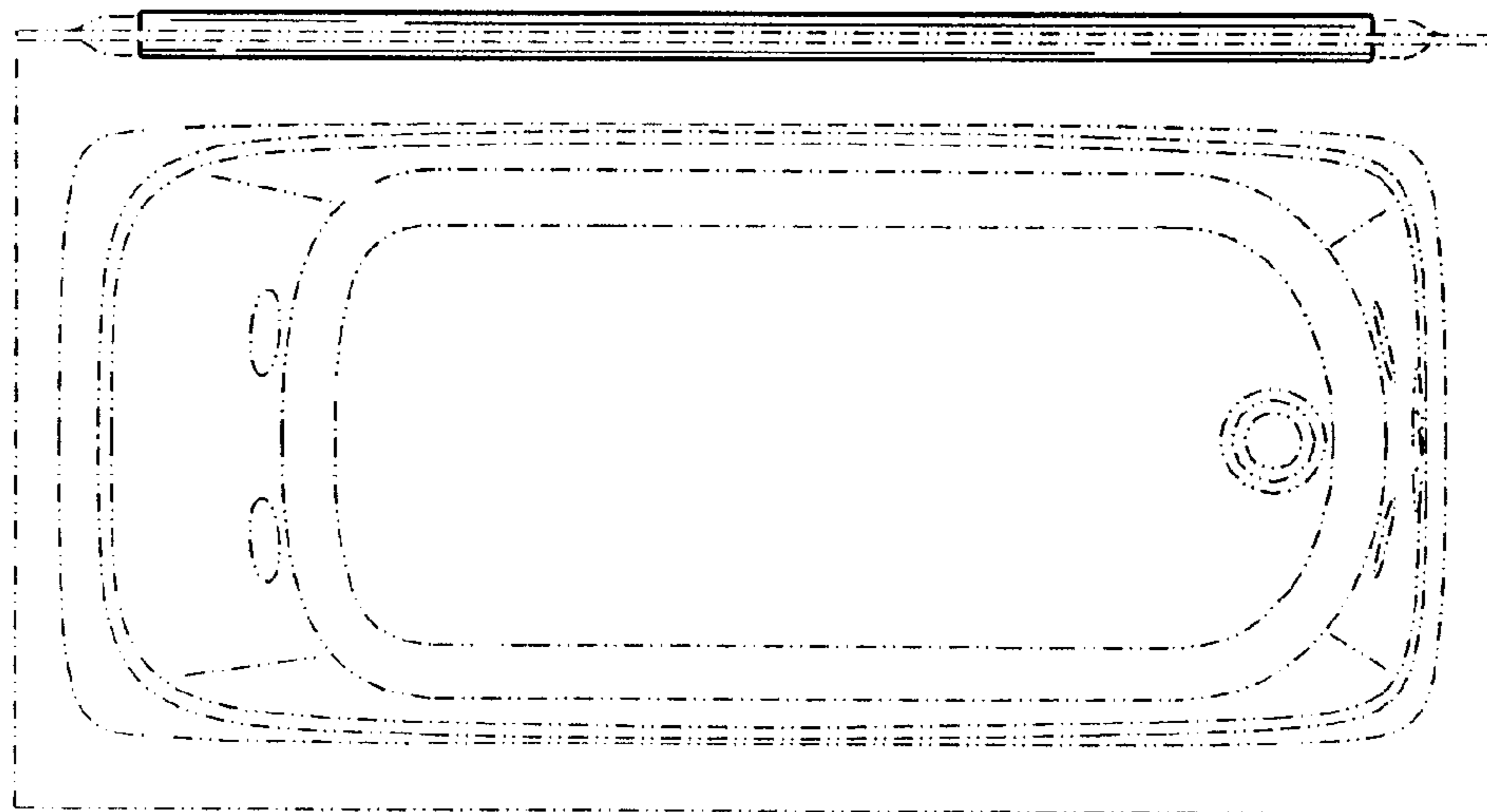
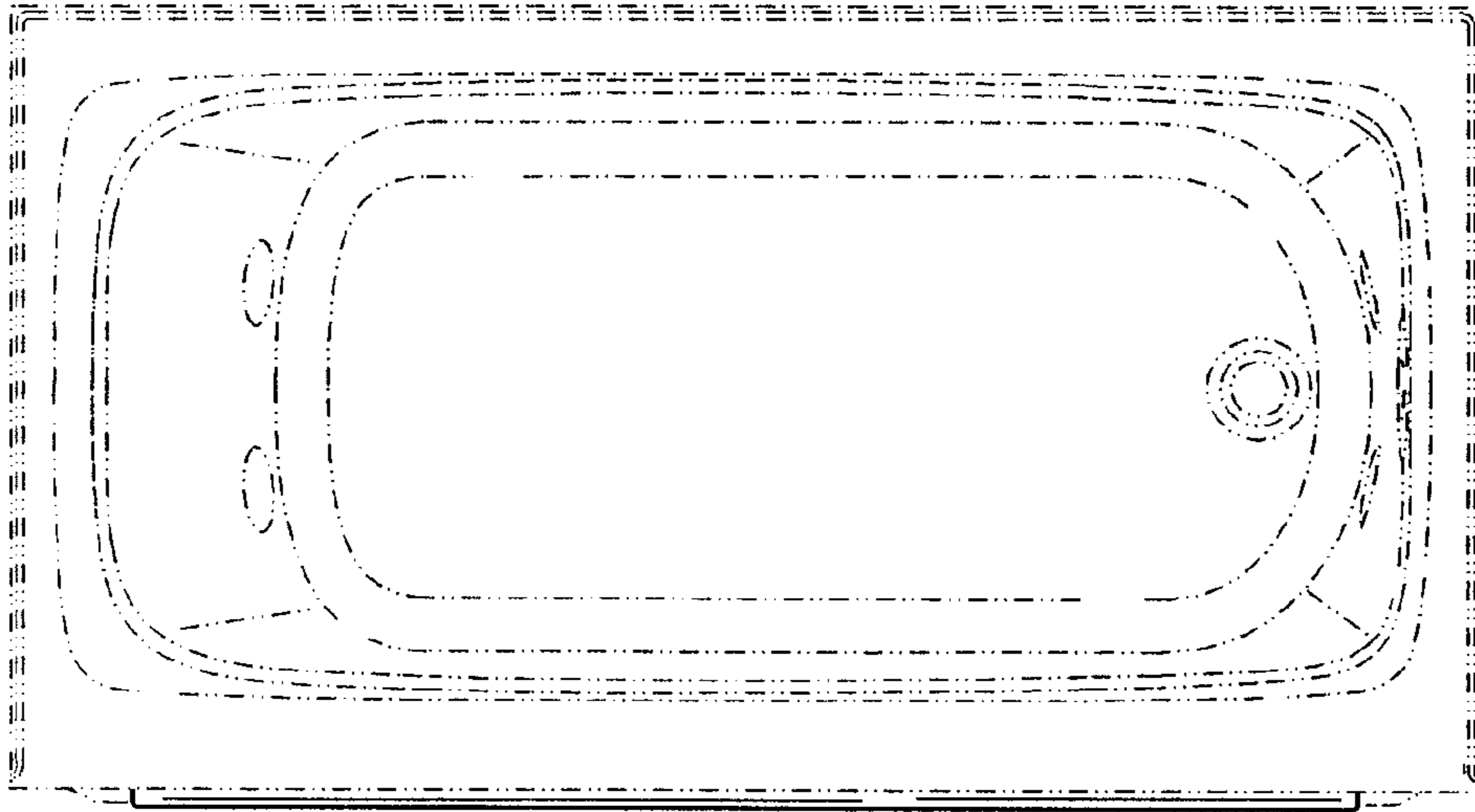


FIG. 6

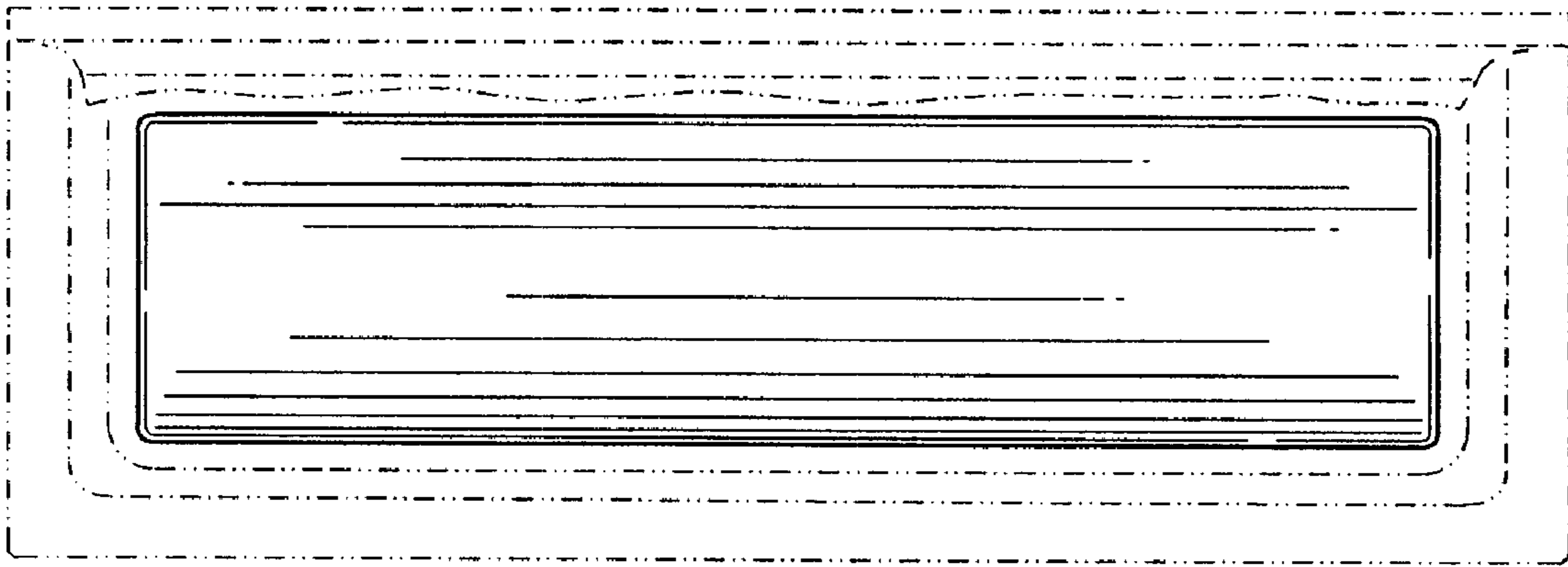


FIG. 7