

US00D549806S

(12) **United States Design Patent**
Taylor

(10) **Patent No.:** **US D549,806 S**

(45) **Date of Patent:** **** Aug. 28, 2007**

(54) **SINK**

(75) Inventor: **Lee Taylor**, Rawcliffe (GB)

(73) Assignee: **Astracast PLC**, Bristall, West Yorkshire (GB)

(**) Term: **14 Years**

(21) Appl. No.: **29/259,735**

(22) Filed: **May 15, 2006**

(51) **LOC (8) Cl.** **23-02**

(52) **U.S. Cl.** **D23/284**

(58) **Field of Classification Search** D23/270-273,
D23/284-287, 289, 291-293.1, 303, 308;
4/619, 630-631, 637, 661; D21/524
See application file for complete search history.

(56) **References Cited**

U.S. PATENT DOCUMENTS

D196,225 S * 9/1963 Graning, Jr. D23/293.1
3,571,821 A * 3/1971 Kaiser 4/619
D394,523 S * 5/1998 Hsu D23/308

* cited by examiner

Primary Examiner—Robert A. Delehanty

(74) *Attorney, Agent, or Firm*—Howard & Howard Attorneys, P.C.

(57) **CLAIM**

An ornamental design for a sink, as shown and described.

DESCRIPTION

FIG. 1 is a perspective view of a sink in accordance with the present invention;

FIG. 2 is a top plan view of the sink of FIG. 1;

FIG. 3 is a front elevational view of the sink of FIG. 2;

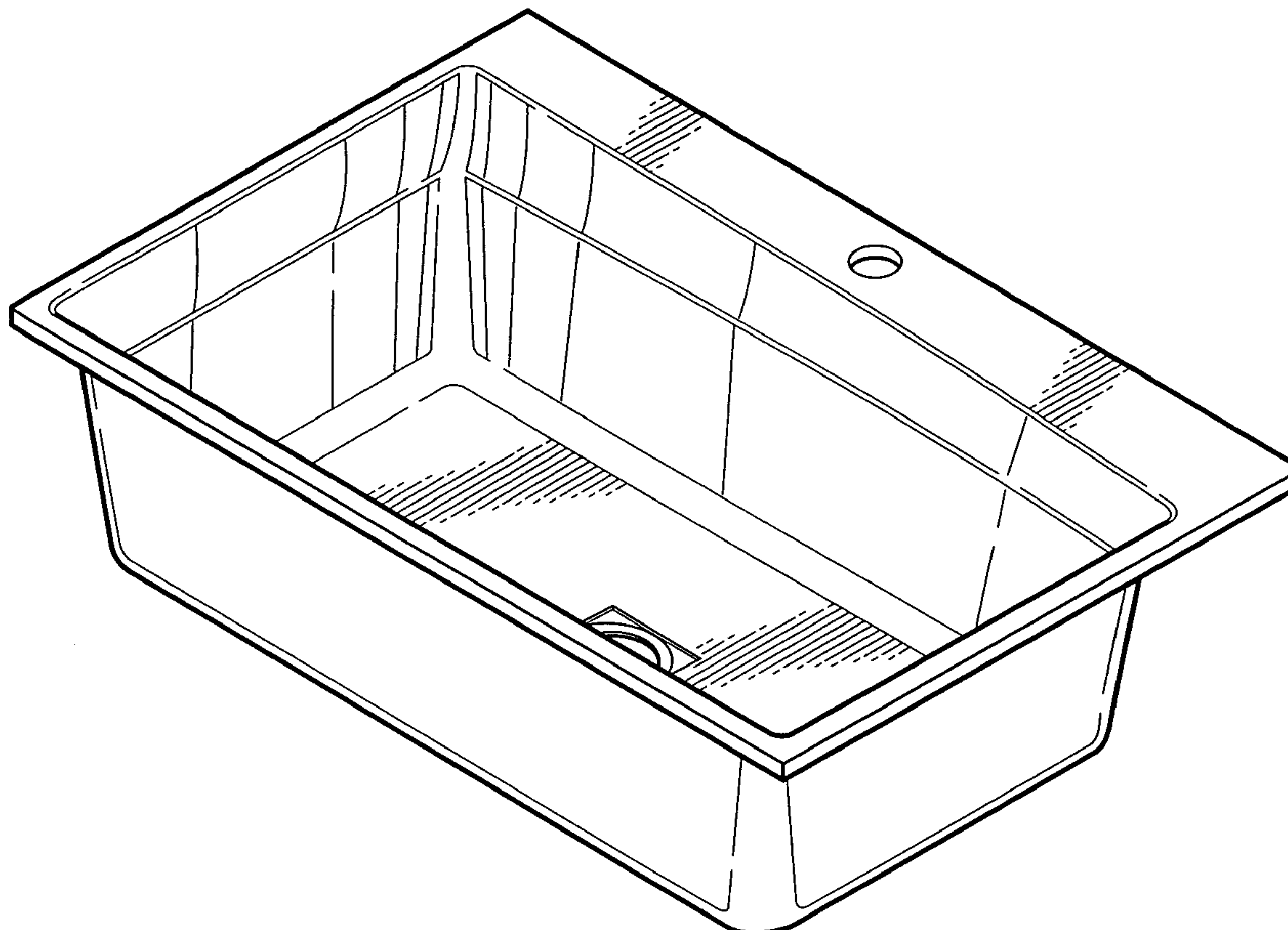
FIG. 4 is a back elevational view of the sink of FIG. 2;

FIG. 5 is a bottom plan view of the sink of FIG. 1;

FIG. 6 is a right side elevational view of the sink of FIG. 2; and,

FIG. 7 is a left side elevational view of the sink of FIG. 2.

1 Claim, 3 Drawing Sheets



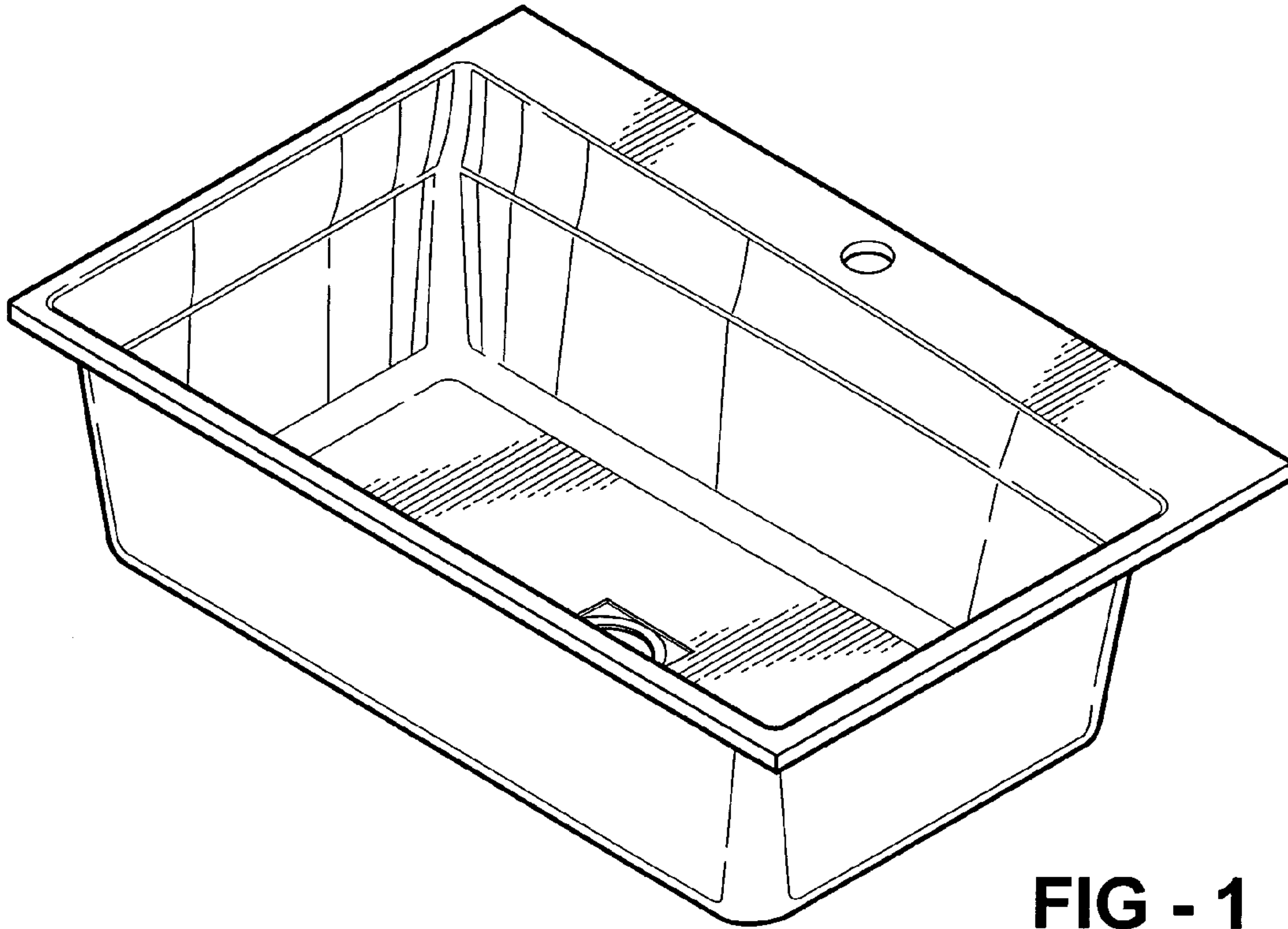


FIG - 1

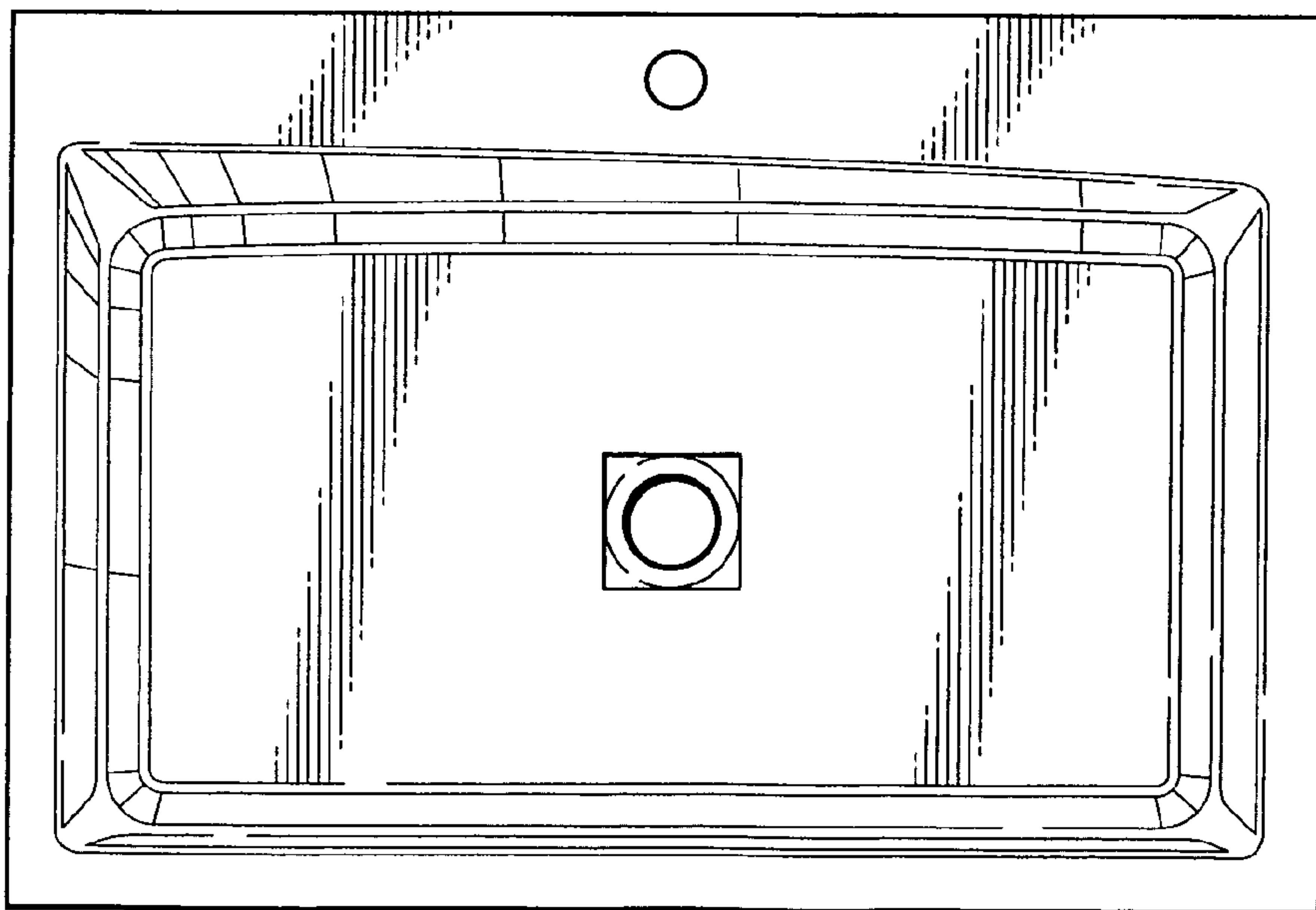


FIG - 2

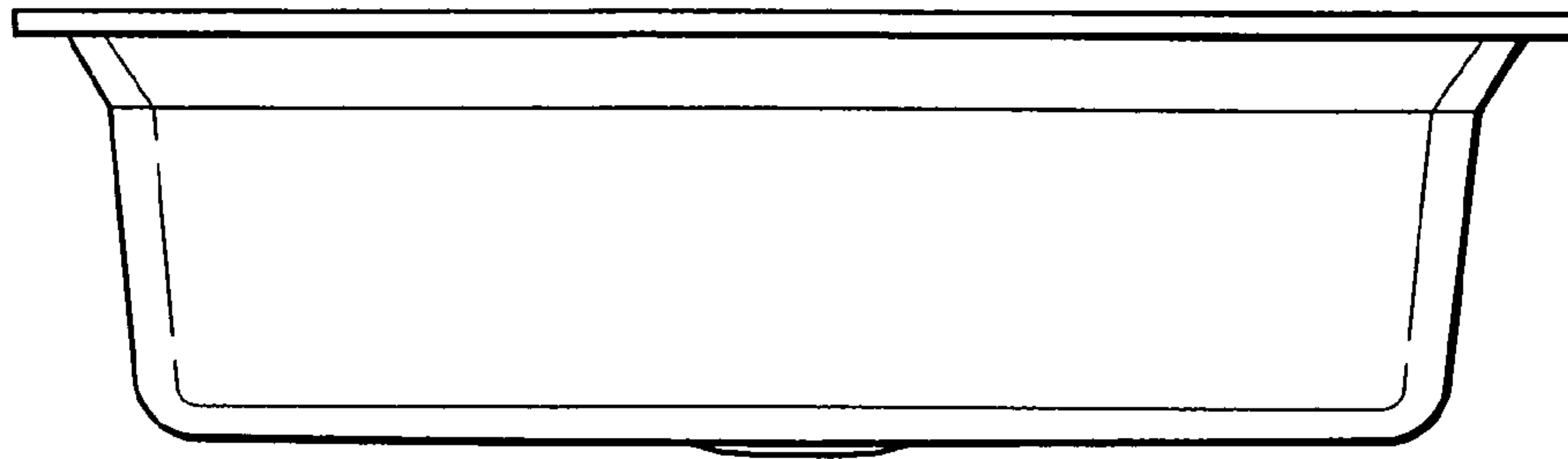


FIG - 3

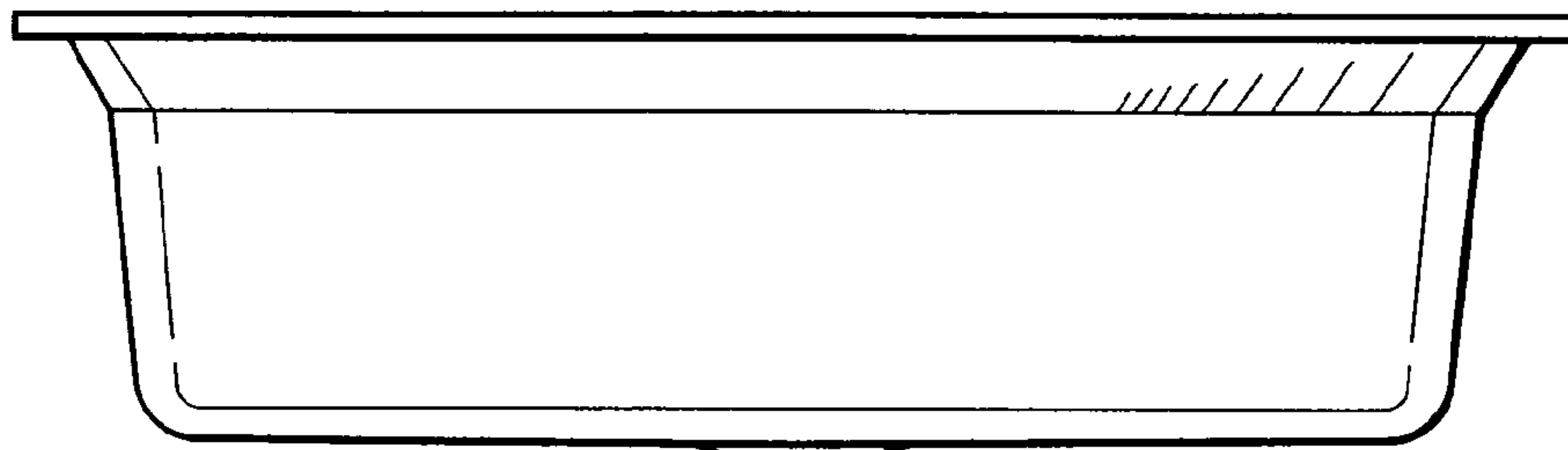


FIG - 4

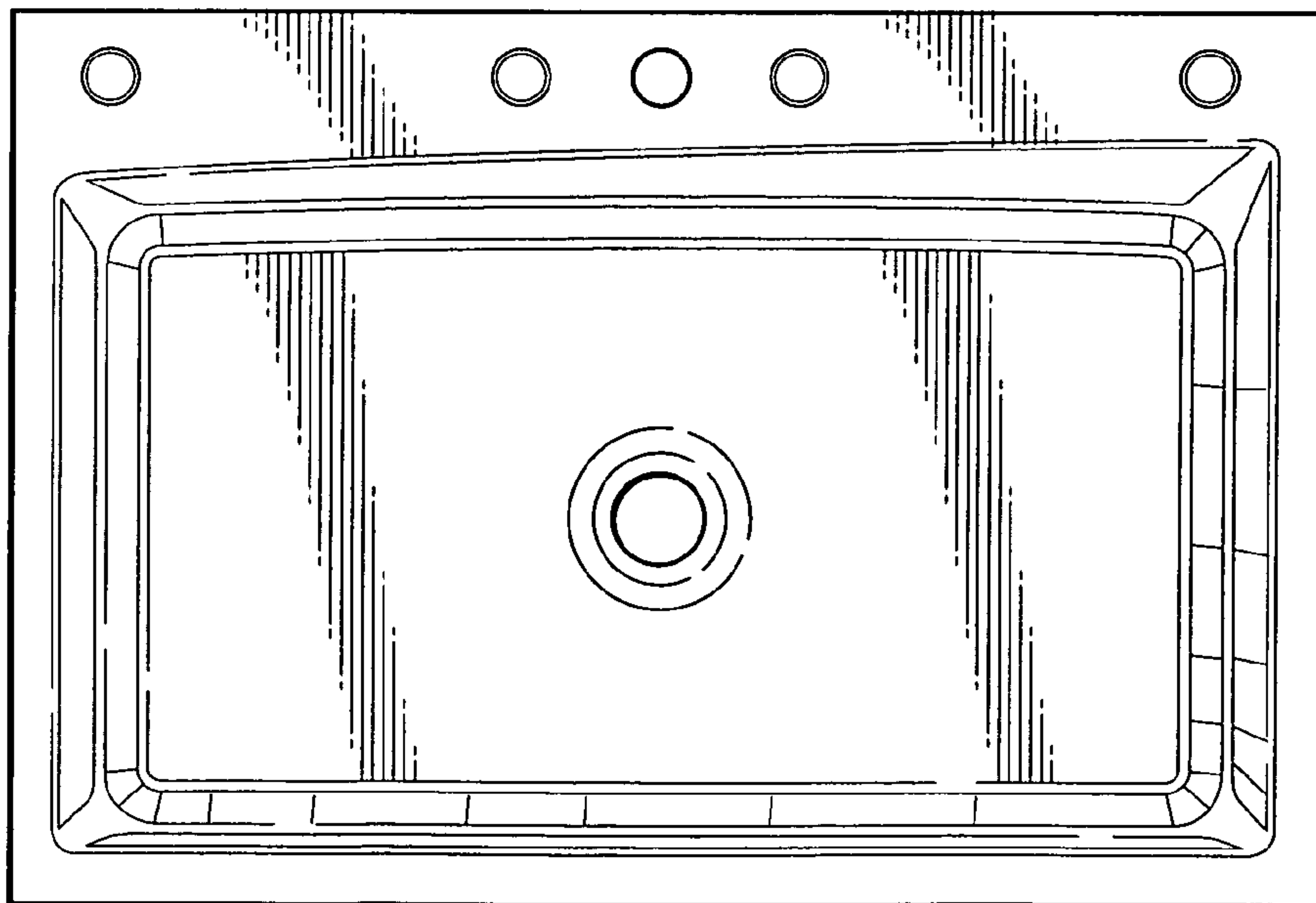


FIG - 5

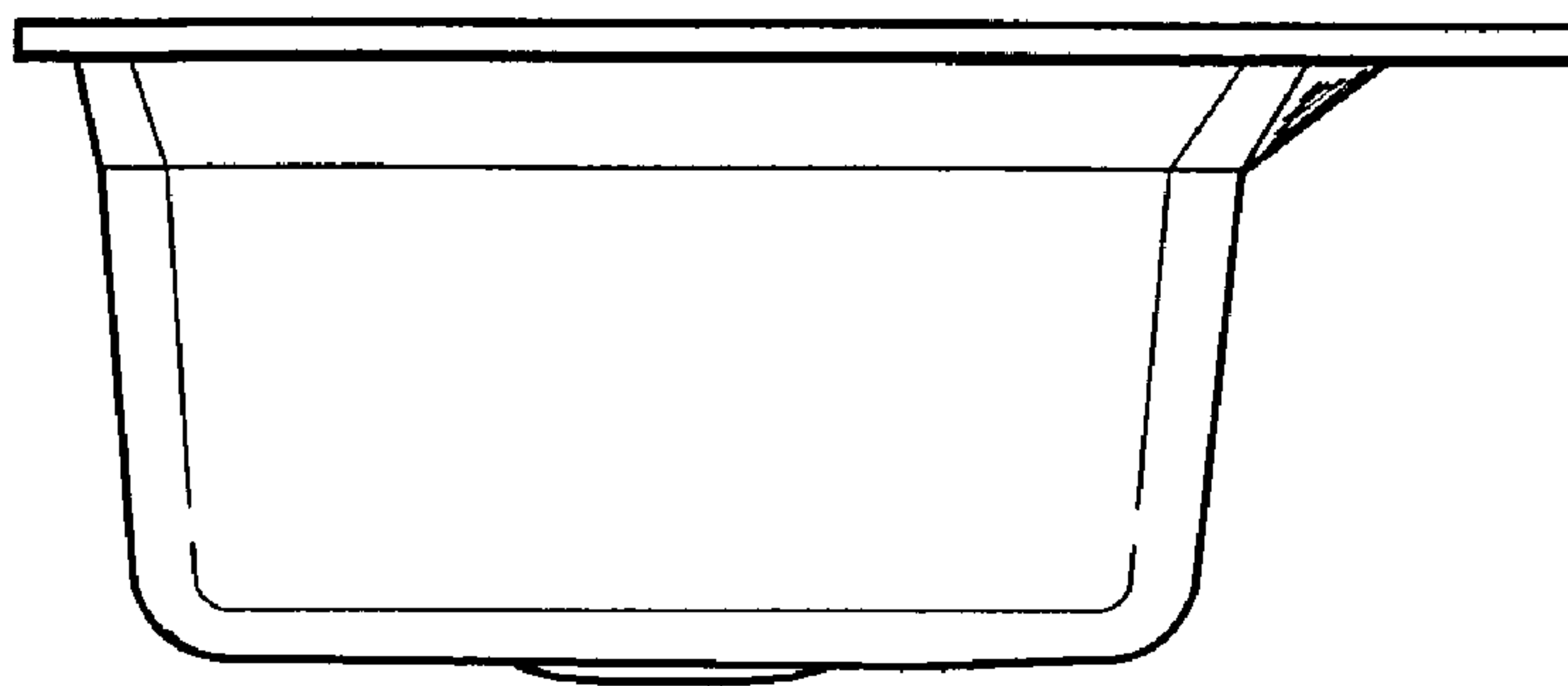


FIG - 6

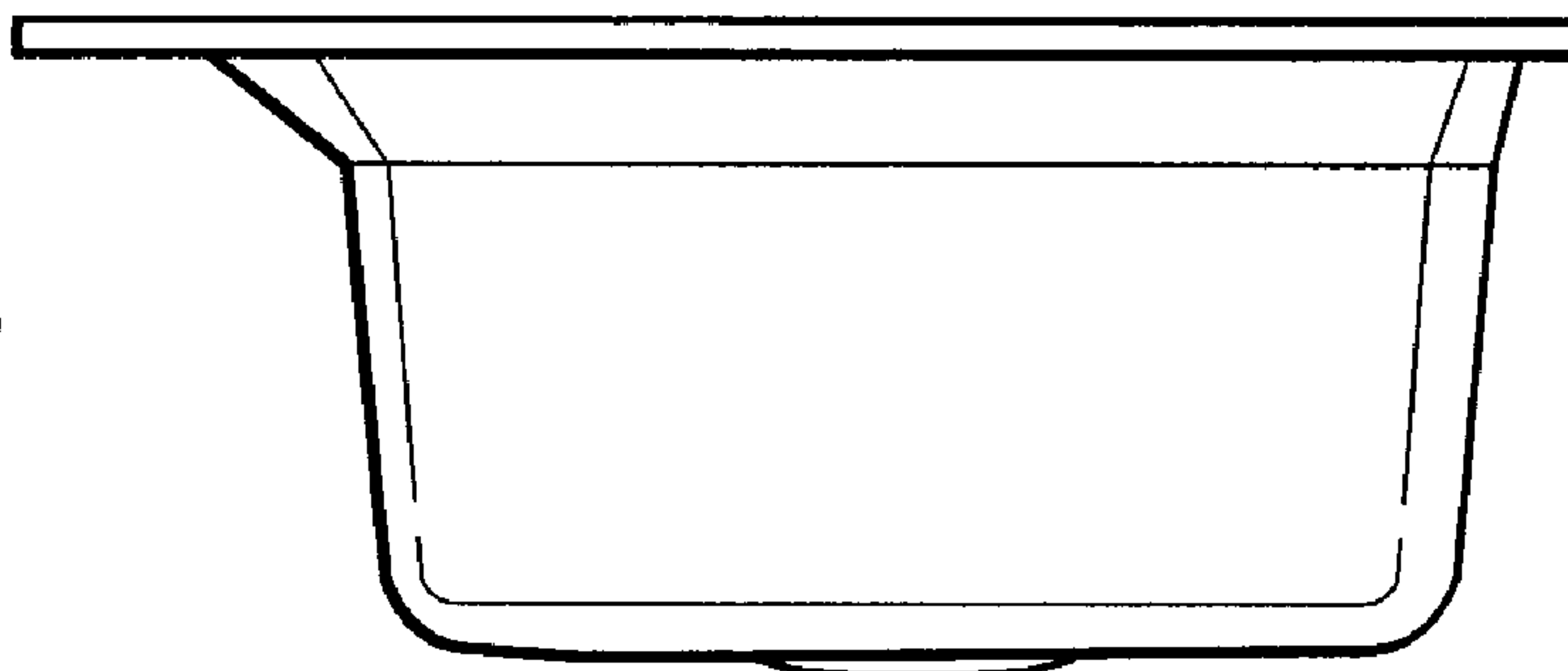


FIG - 7