



US00D549805S

(12) **United States Design Patent**
Quach

(10) **Patent No.:** **US D549,805 S**

(45) **Date of Patent:** **** Aug. 28, 2007**

(54) **DRAIN TRAP WITH LOWER OPENING**

(76) Inventor: **Trung T. Quach**, 520 - 15th Ave. East,
Seattle, WA (US) 98112

(**) Term: **14 Years**

(21) Appl. No.: **29/244,262**

(22) Filed: **Dec. 6, 2005**

(51) **LOC (8) Cl.** **23-01**

(52) **U.S. Cl.** **D23/268**

(58) **Field of Classification Search** D23/209,
D23/266, 268; 4/290-292, 679, 681; 137/247.35,
137/247.39, 375; 138/149, 158; 285/134.1,
285/135.2; 210/447; 428/99

See application file for complete search history.

(56) **References Cited**

U.S. PATENT DOCUMENTS

206,207 A	6/1878	Adams	
332,911 A	12/1885	Lane, Jr.	
497,465 A	5/1893	Burgoin	
681,417 A *	8/1901	Goldenbogen	138/116
3,967,324 A	7/1976	Olive	4/207
4,179,762 A *	12/1979	Barnhardt et al.	4/679
D295,780 S *	5/1988	Thomas	D23/268
5,058,214 A *	10/1991	Shinn	4/679
5,241,979 A *	9/1993	Chang	137/247.41
D346,646 S *	5/1994	Doyle	D23/268
5,638,557 A	6/1997	Iida et al.	4/679

5,678,598 A	10/1997	Helmsderfer	137/375
D386,569 S *	11/1997	Trueb et al.	D23/268
6,687,926 B1	2/2004	Bayley	4/681
D489,435 S *	5/2004	Trueb et al.	D23/266
D531,285 S *	10/2006	Williams	D23/268
2003/0163869 A1	9/2003	Bosch	4/679
2005/0178438 A1	8/2005	Renner	137/247.41

* cited by examiner

Primary Examiner—Louis S. Zarfes

Assistant Examiner—Eric L. Goodman

(74) *Attorney, Agent, or Firm*—Dean A. Craine

(57) **CLAIM**

The ornamental design for a drain trap with lower opening,
as shown and described.

DESCRIPTION

FIG. 1 is a top perspective view of a drain trap with lower opening.

FIG. 2 is a bottom perspective view of the invention.

FIG. 3 is a right side elevational view of the invention.

FIG. 4 is a top plan view of the invention.

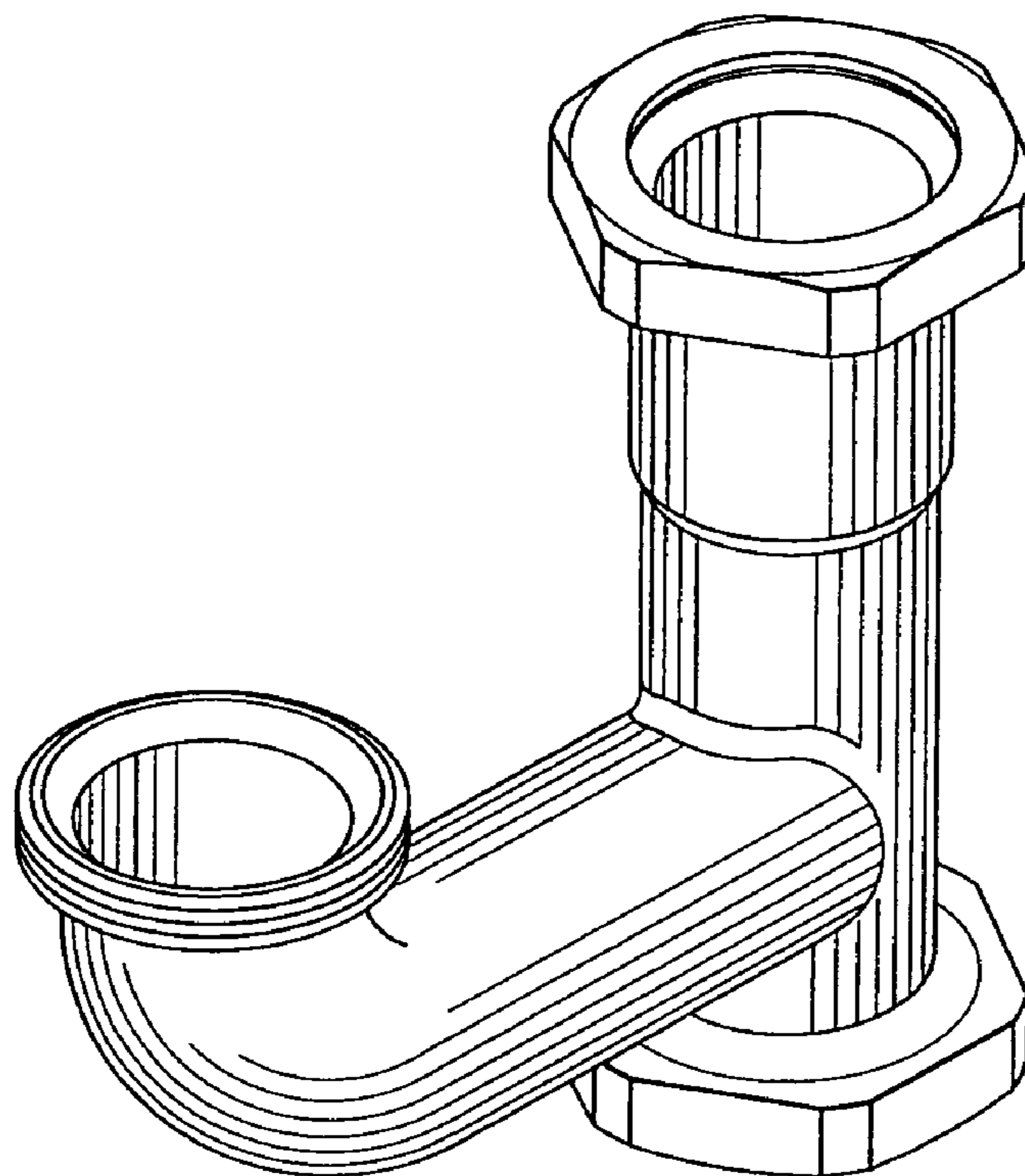
FIG. 5 is a bottom plan view of the invention.

FIG. 6 is a left side elevational view of the invention.

FIG. 7 is the back plan view of the invention; and,

FIG. 8 is the front plan view of the invention.

1 Claim, 3 Drawing Sheets



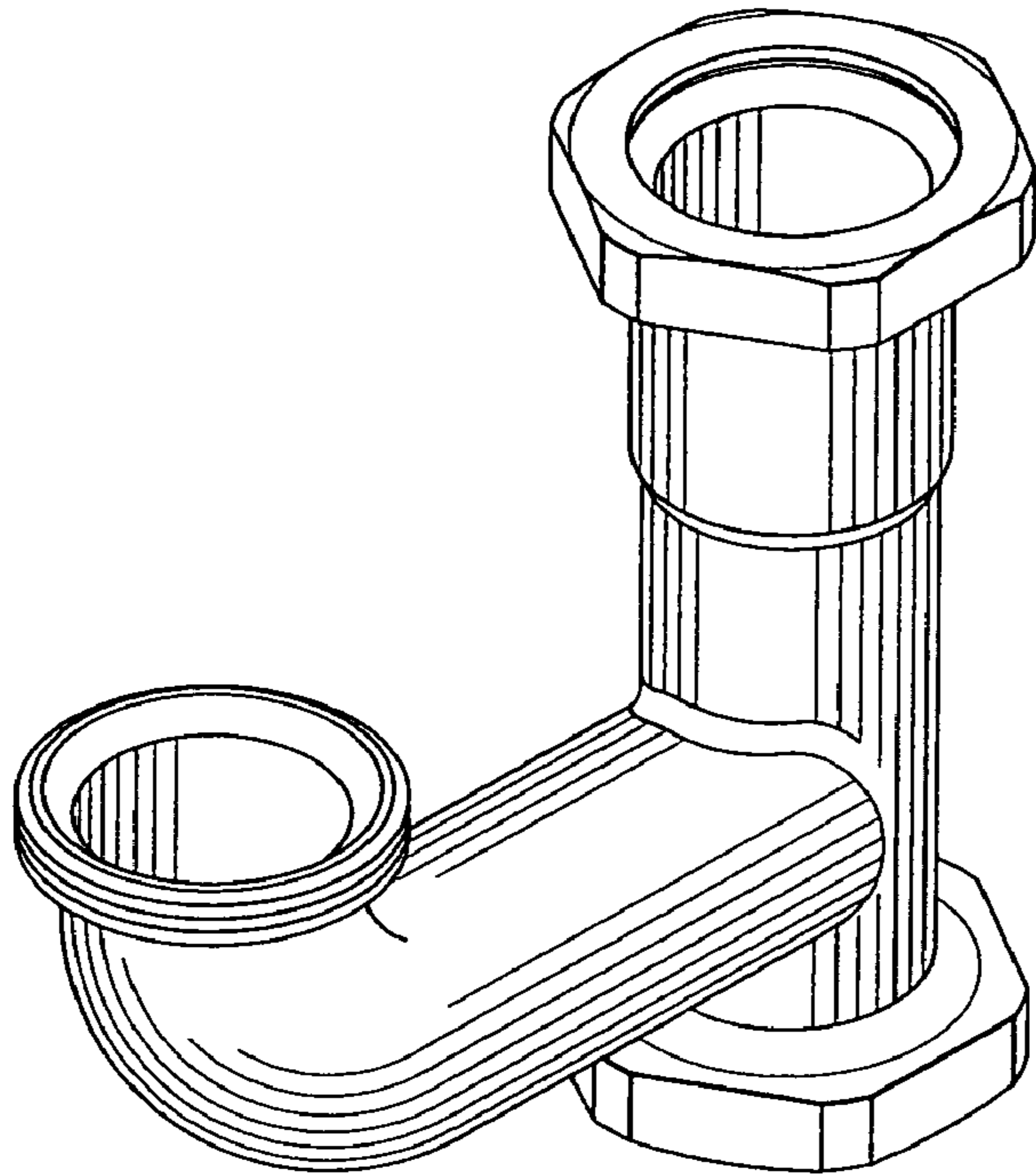


Fig. 1

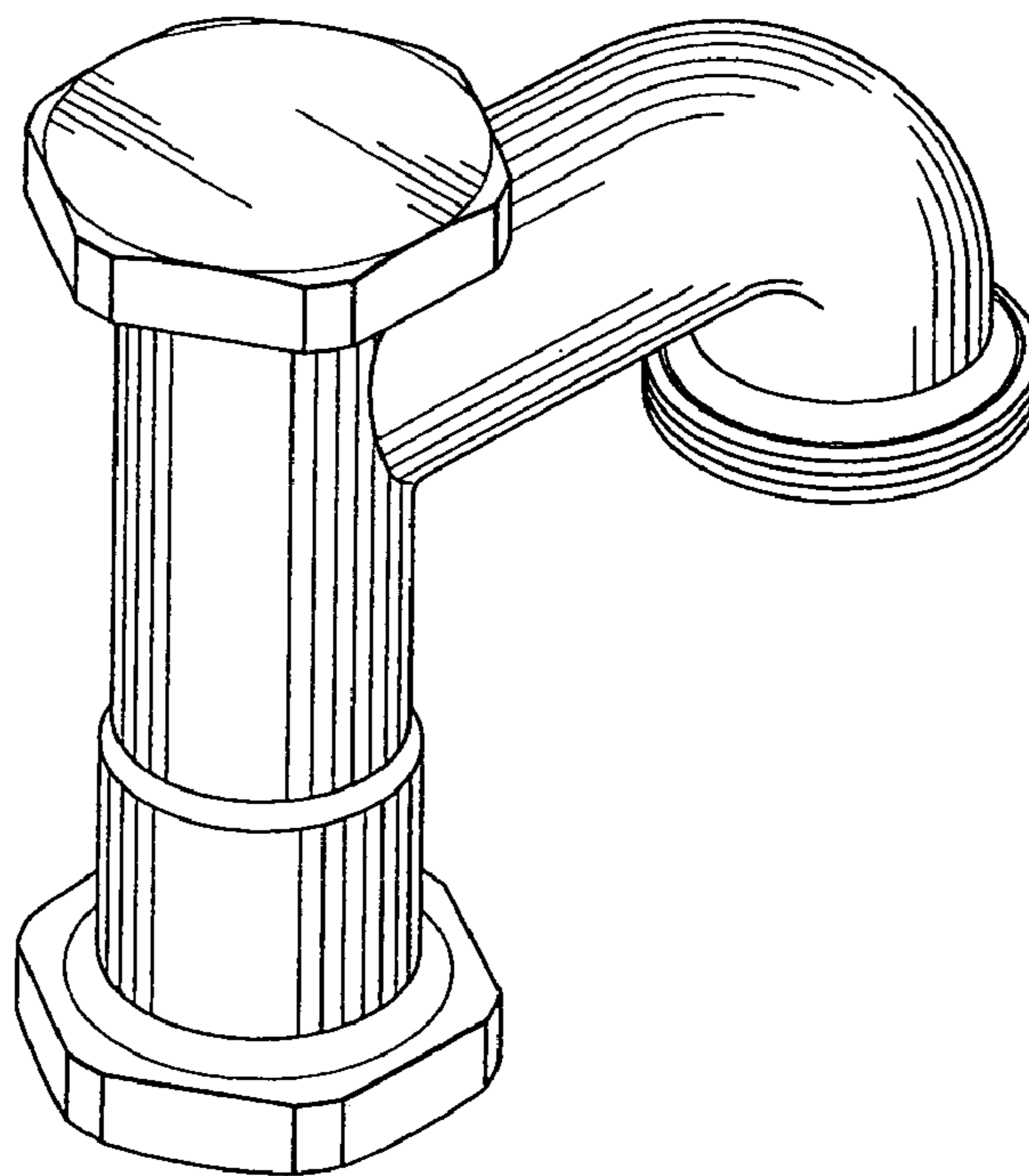


Fig. 2

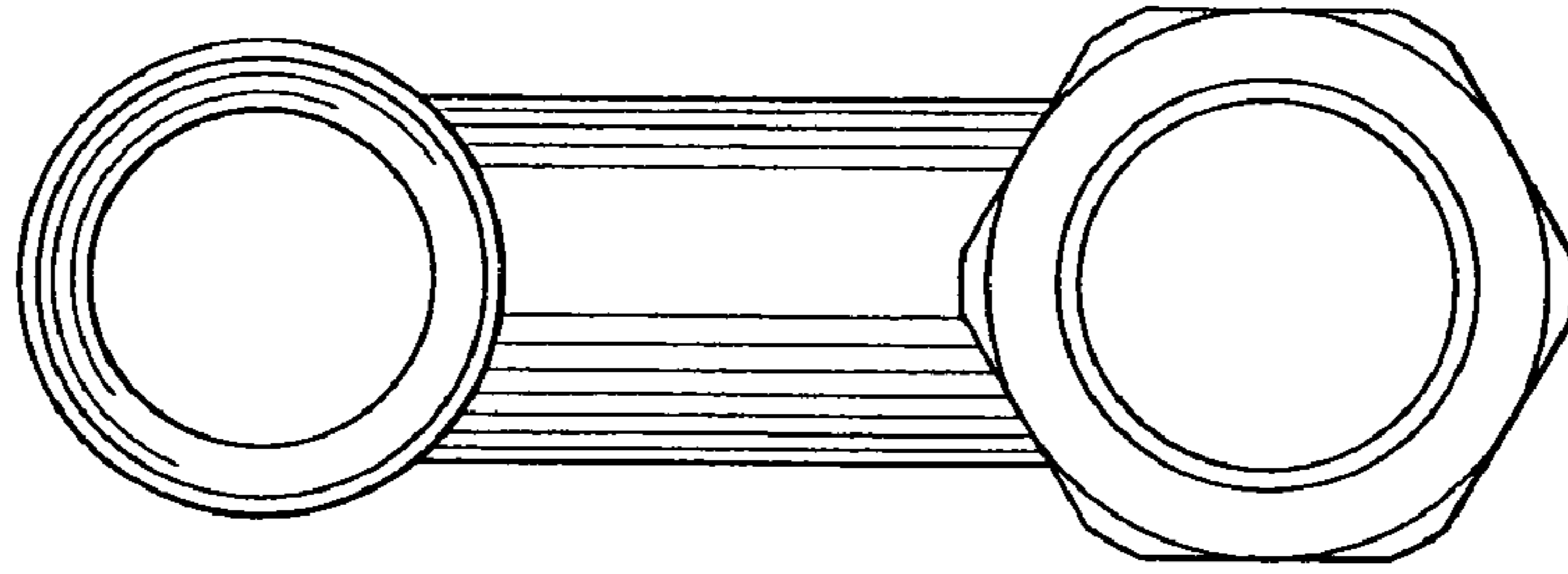


Fig. 4

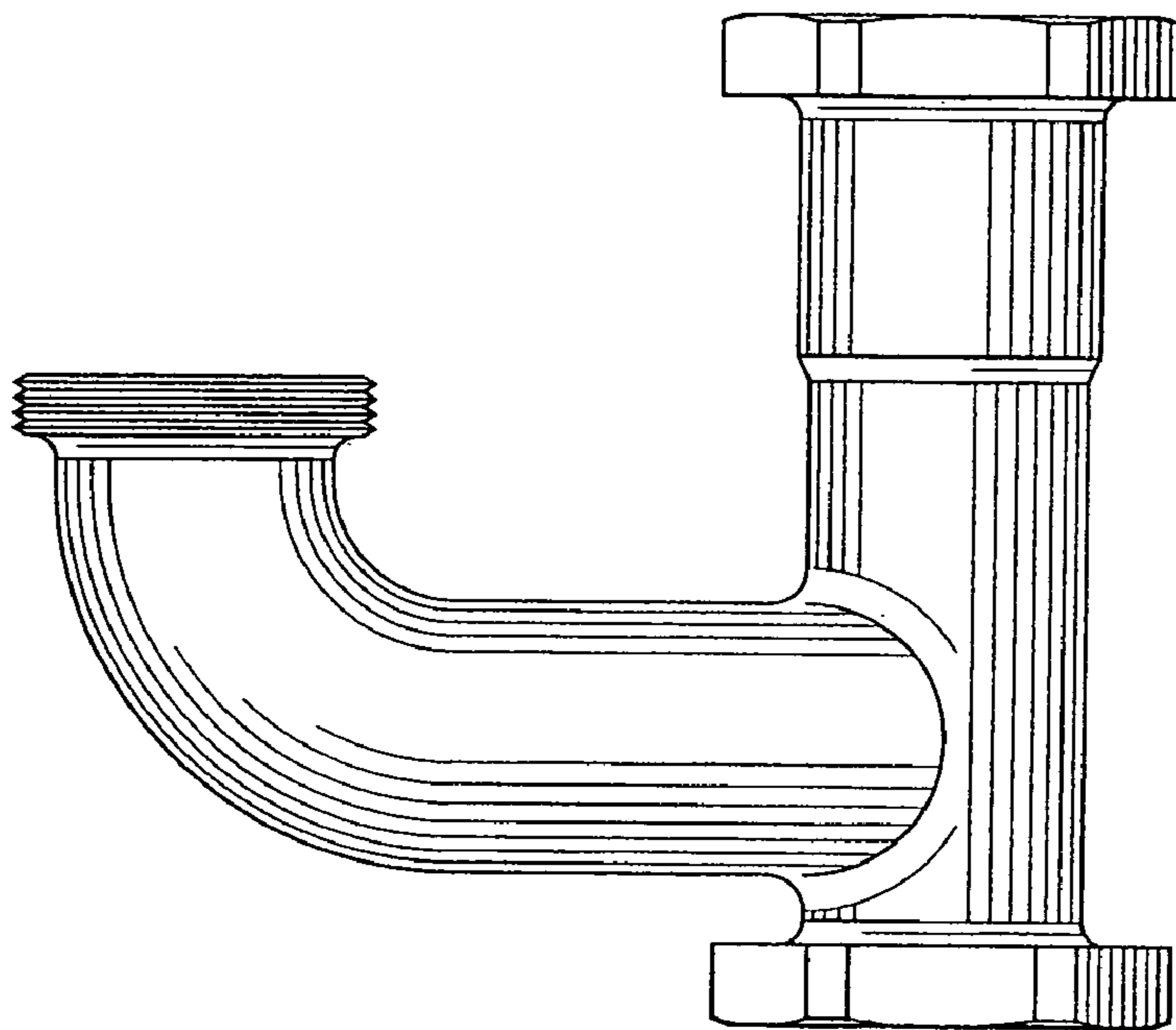


Fig. 3

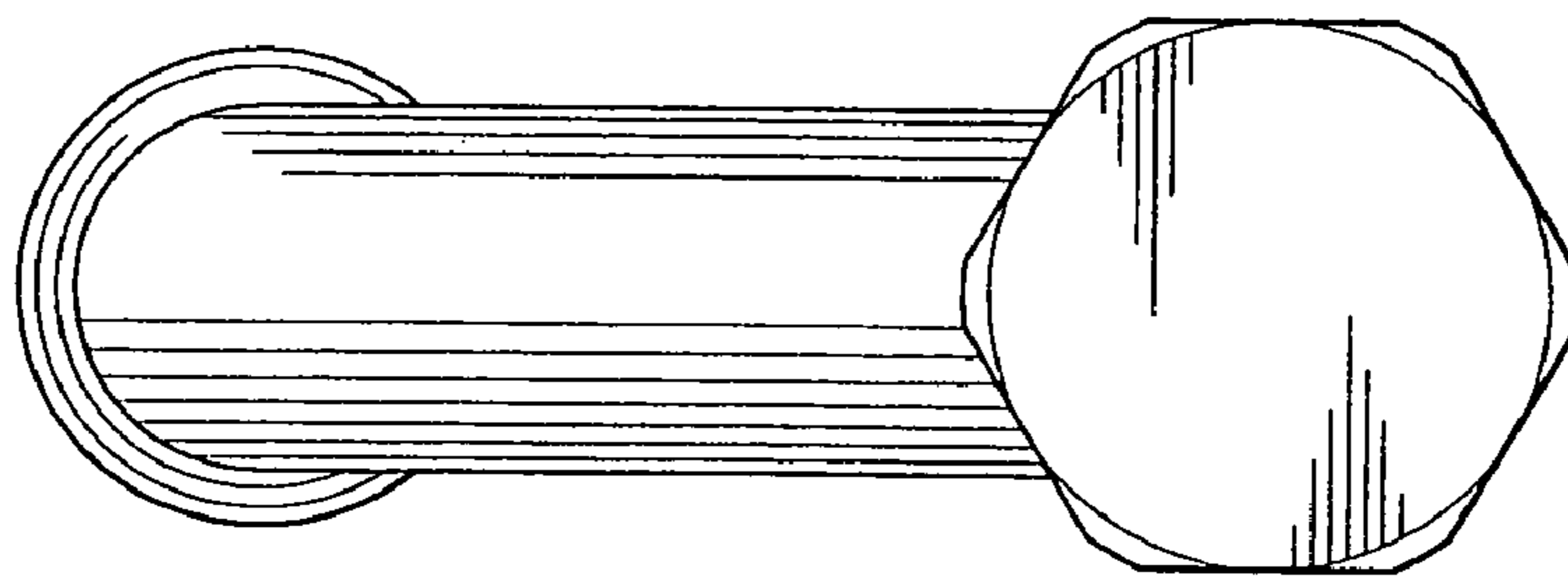


Fig. 5

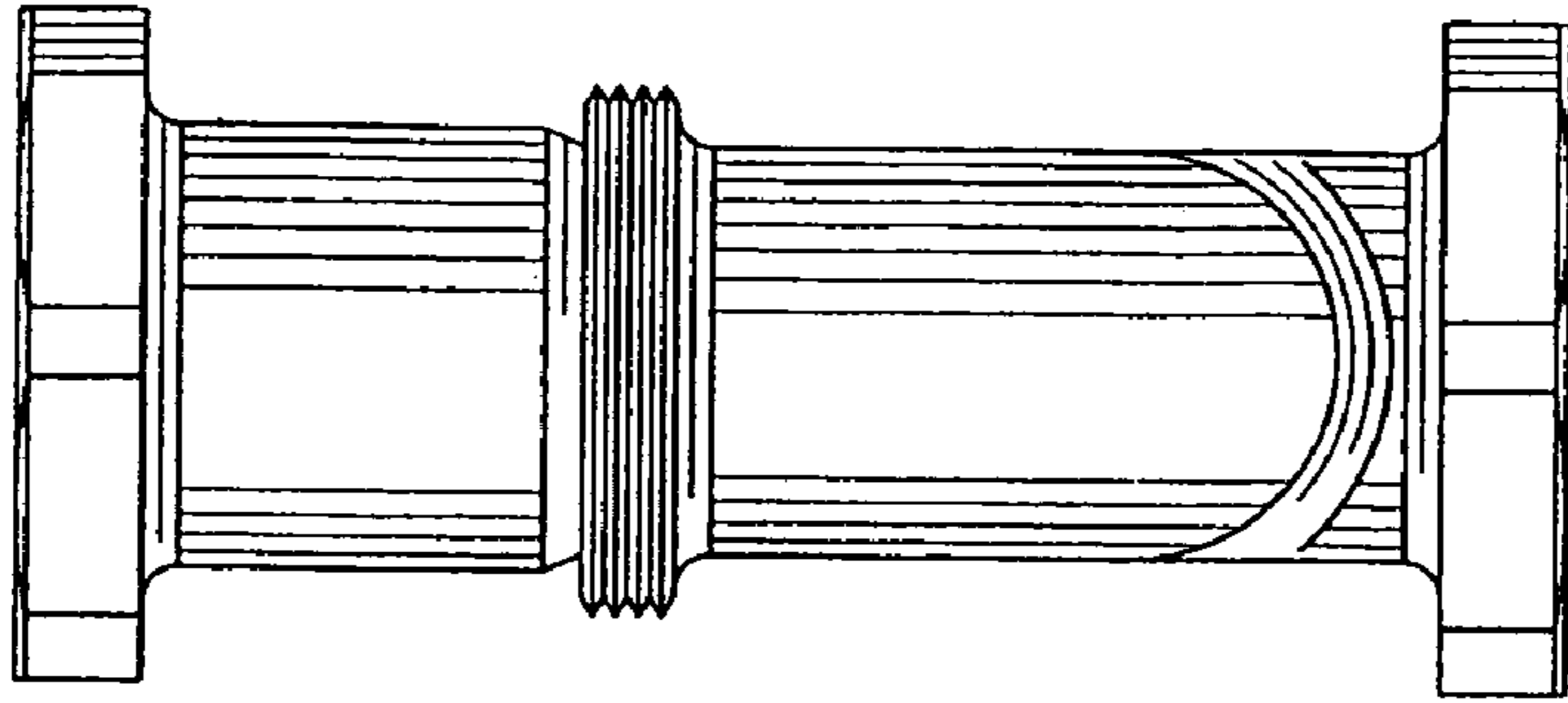


Fig. 8

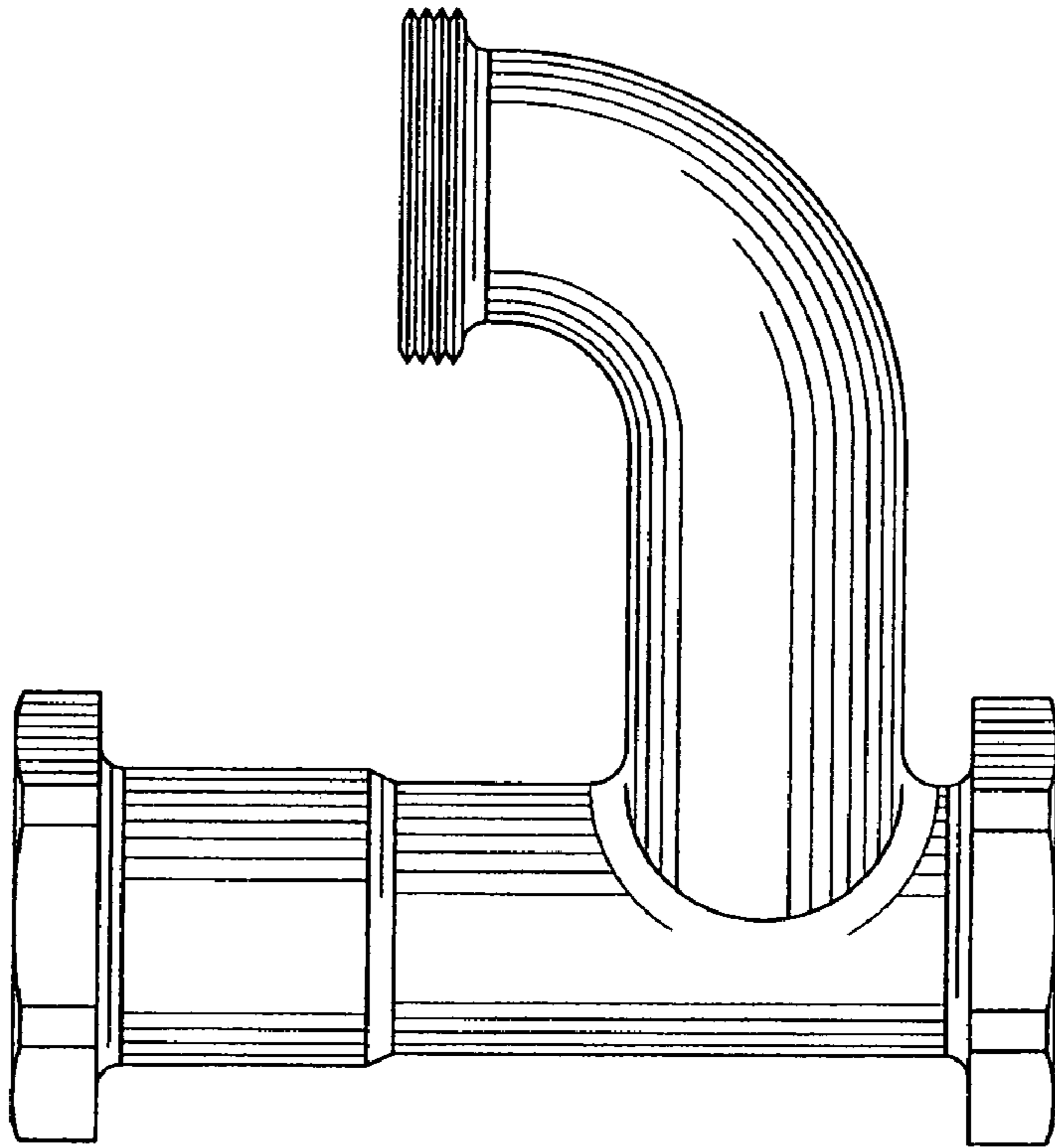


Fig. 6

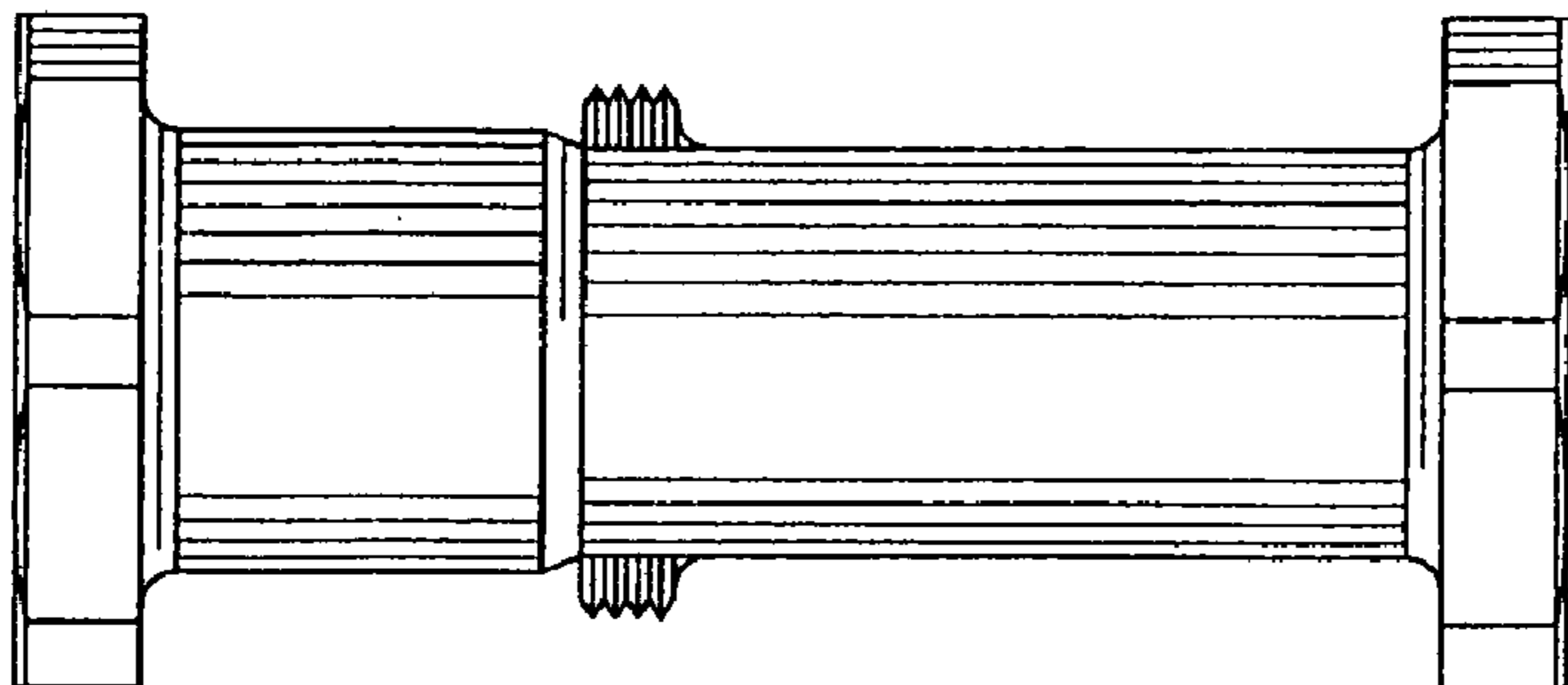


Fig. 7