

US00D549804S

(12) **United States Design Patent** (10) **Patent No.:** **US D549,804 S**  
**Lewis et al.** (45) **Date of Patent:** **\*\* Aug. 28, 2007**

(54) **PORTION OF A PIPE FITTING**

5,277,456 A 1/1994 Mer et al.  
5,366,257 A 11/1994 McPherson et al.

(75) Inventors: **Eric Wayne Lewis**, Charlotte, NC  
(US); **Julie Starnes Parker**, Waxhaw,  
NC (US)

(Continued)

**FOREIGN PATENT DOCUMENTS**

(73) Assignee: **Charlotte Pipe and Foundry  
Company**, Charlotte, NC (US)

JP 361290019 A 12/1986

*Primary Examiner*—Robin Webster

(74) *Attorney, Agent, or Firm*—Alston & Bird LLP

(\*\*) Term: **14 Years**

(57) **CLAIM**

(21) Appl. No.: **29/249,349**

The ornamental design for a portion of a pipe fitting, as shown and described.

(22) Filed: **Oct. 3, 2006**

**Related U.S. Application Data**

**DESCRIPTION**

(62) Division of application No. 29/225,304, filed on Mar. 14, 2005, now Pat. No. Des. 533,259.

FIG. 1 is a top/front perspective view of a portion of a pipe fitting according to an embodiment of the present design;

FIG. 2 is a bottom/front perspective view of the portion of a pipe fitting shown in FIG. 1;

(51) **LOC (8) Cl.** ..... **23-01**

(52) **U.S. Cl.** ..... **D23/262**

(58) **Field of Classification Search** ..... D23/259,  
D23/262; 285/353, 251, 256, 148.18, 148.23  
See application file for complete search history.

FIG. 3 is a top/rear perspective view of the portion of a pipe fitting shown in FIG. 1;

FIG. 4 is a bottom/rear perspective view of the portion of a pipe fitting shown in FIG. 1;

(56) **References Cited**

**U.S. PATENT DOCUMENTS**

|             |         |                     |
|-------------|---------|---------------------|
| 582,137 A   | 5/1897  | Dockery             |
| 658,313 A   | 9/1900  | Bernardi            |
| 1,970,059 A | 8/1934  | Schotter            |
| 2,776,151 A | 1/1957  | Harkenrider         |
| 2,968,821 A | 1/1961  | Morin et al.        |
| 3,018,519 A | 1/1962  | Morin et al.        |
| 3,245,701 A | 4/1966  | Leopold, Jr. et al. |
| 3,858,914 A | 1/1975  | Karie et al.        |
| 3,895,466 A | 7/1975  | Melton              |
| 4,093,280 A | 6/1978  | Yoshizawa et al.    |
| 4,339,406 A | 7/1982  | Underwood           |
| 4,363,504 A | 12/1982 | De Feo et al.       |
| 4,377,894 A | 3/1983  | Yoshida             |
| 4,842,540 A | 6/1989  | Endo et al.         |
| 4,905,766 A | 3/1990  | Dietz et al.        |
| 5,109,929 A | 5/1992  | Spears              |

FIG. 5 is a front elevation view of the portion of a pipe fitting shown in FIG. 1;

FIG. 6 is a rear elevation view of the portion of a pipe fitting shown in FIG. 1;

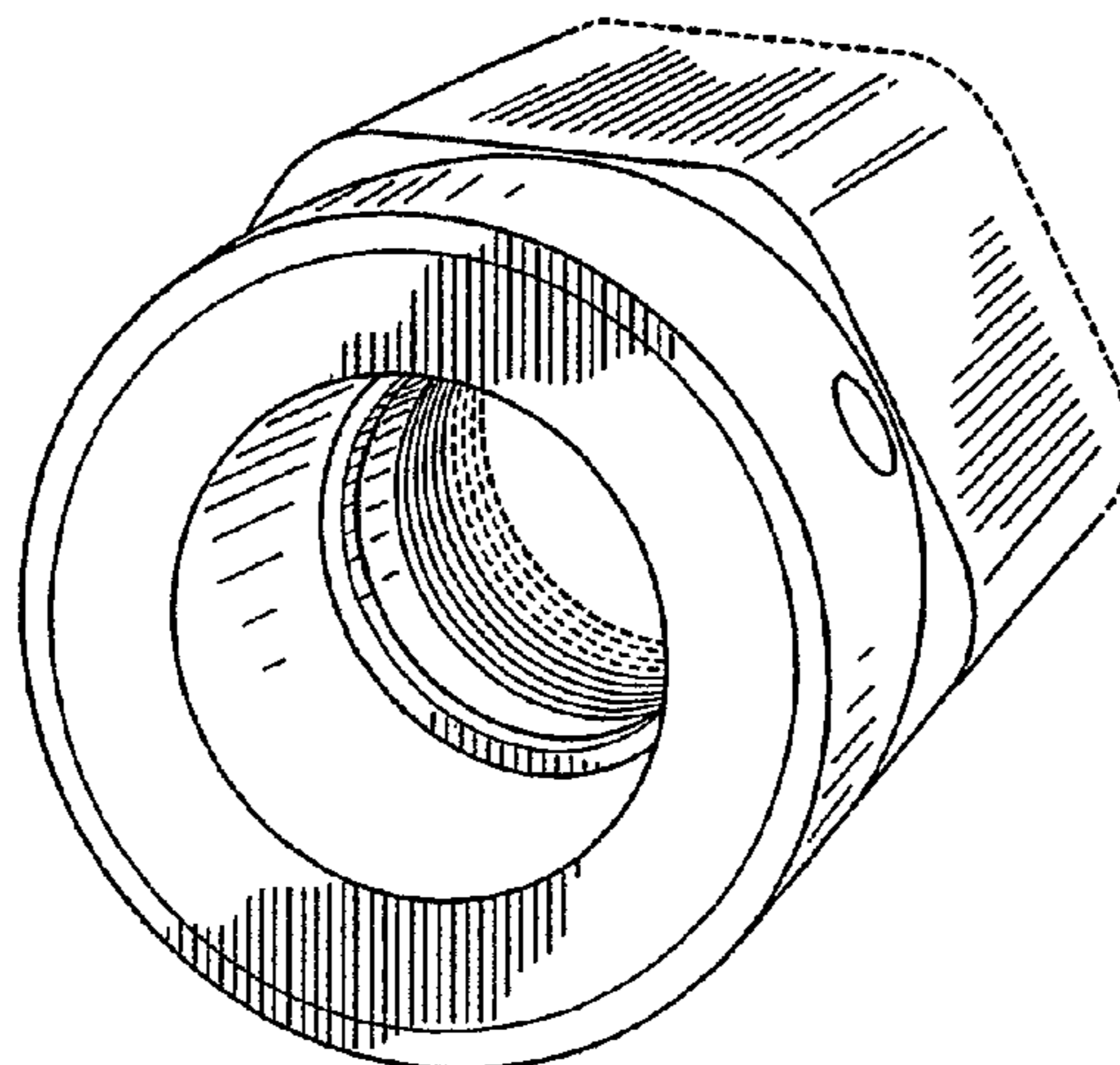
FIG. 7 is a right side elevation view of the portion of a pipe fitting shown in FIG. 1, with a left side elevation view of the portion of a pipe fitting shown in FIG. 1 being a mirror image of FIG. 6;

FIG. 8 is a bottom plan view of the portion of a pipe fitting shown in FIG. 1; and,

FIG. 9 is a top plan view of the portion of a pipe fitting shown in FIG. 1.

The broken lines shown herein are for illustrative purposes only and form no part of the claimed design.

**1 Claim, 5 Drawing Sheets**



# US D549,804 S

Page 2

---

## U.S. PATENT DOCUMENTS

|             |         |               |                 |         |                 |
|-------------|---------|---------------|-----------------|---------|-----------------|
| 5,437,481 A | 8/1995  | Spears et al. | 5,954,371 A     | 9/1999  | Koke et al.     |
| D363,767 S  | 10/1995 | Swaim         | 6,099,975 A     | 8/2000  | Peterson et al. |
| 5,551,141 A | 9/1996  | De'Ath et al. | 6,148,581 A     | 11/2000 | Separautzki     |
| 5,701,935 A | 12/1997 | Vasudeva      | 6,378,912 B1    | 4/2002  | Condon et al.   |
| 5,851,472 A | 12/1998 | Kashiyama     | 6,460,432 B1    | 10/2002 | Julian et al.   |
| 5,861,120 A | 1/1999  | Yagi et al.   | 6,521,160 B2    | 2/2003  | Suzuki          |
|             |         |               | 2003/0146620 A1 | 8/2003  | Young et al.    |

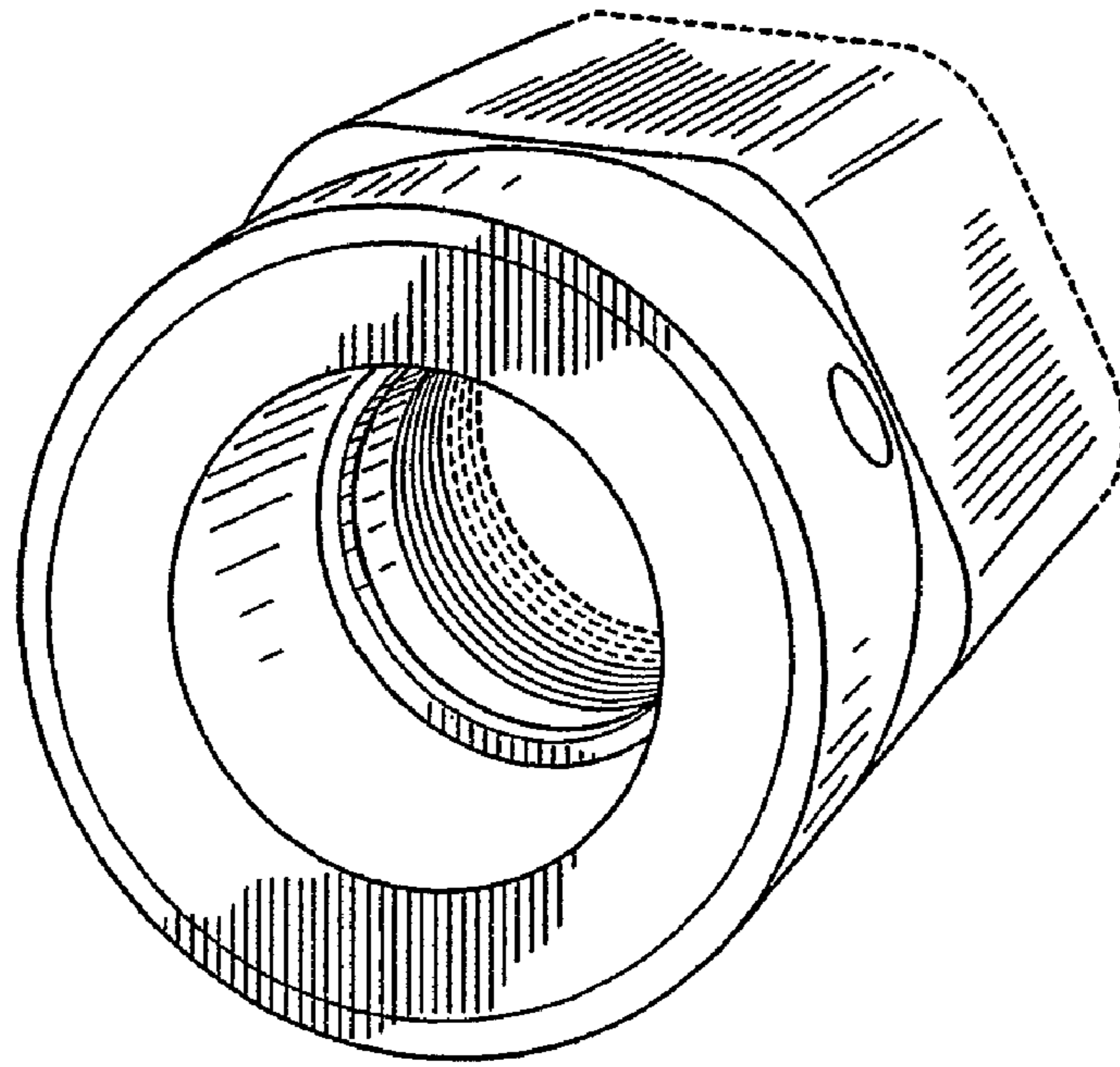


FIG. 1

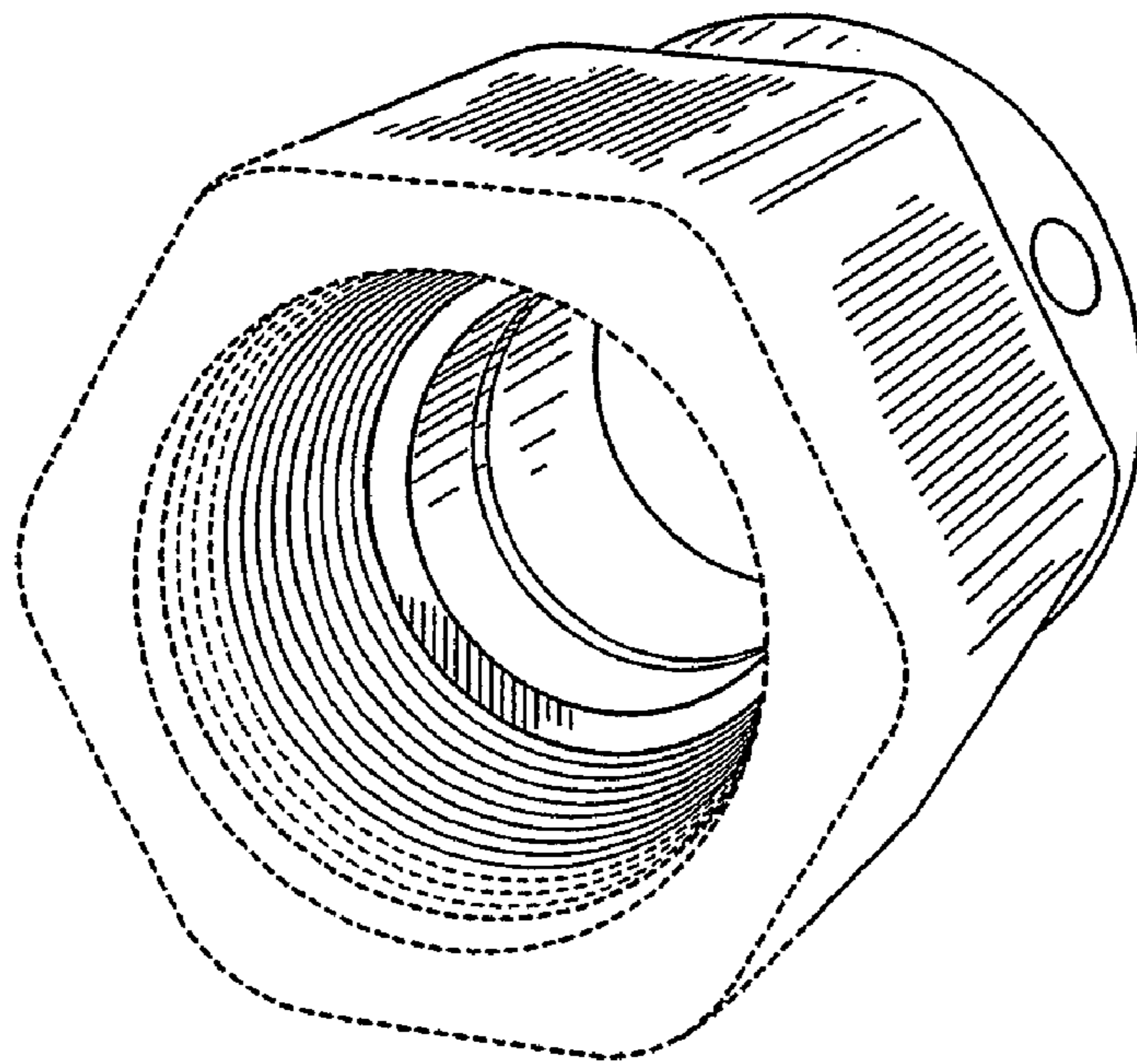
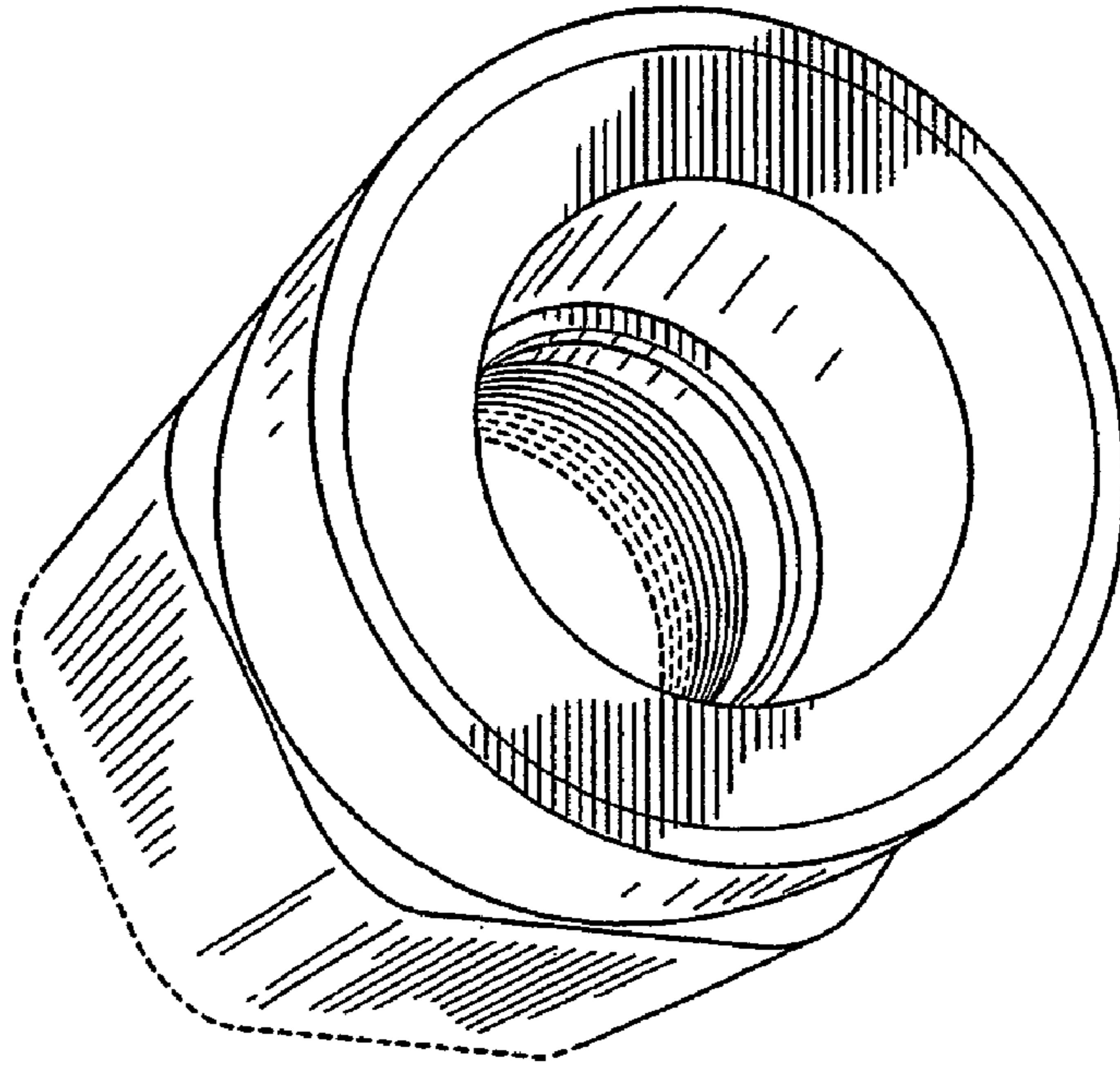
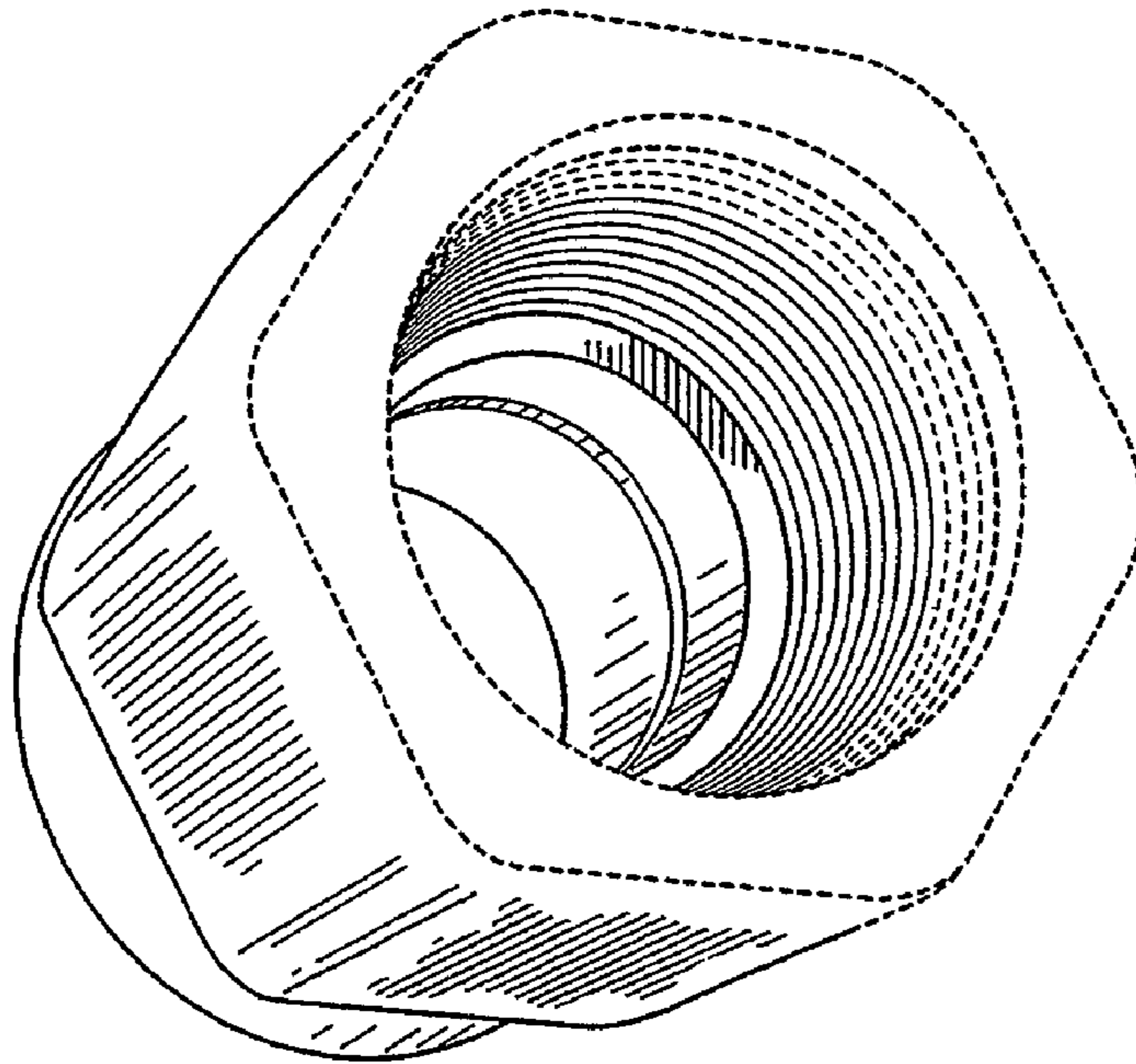


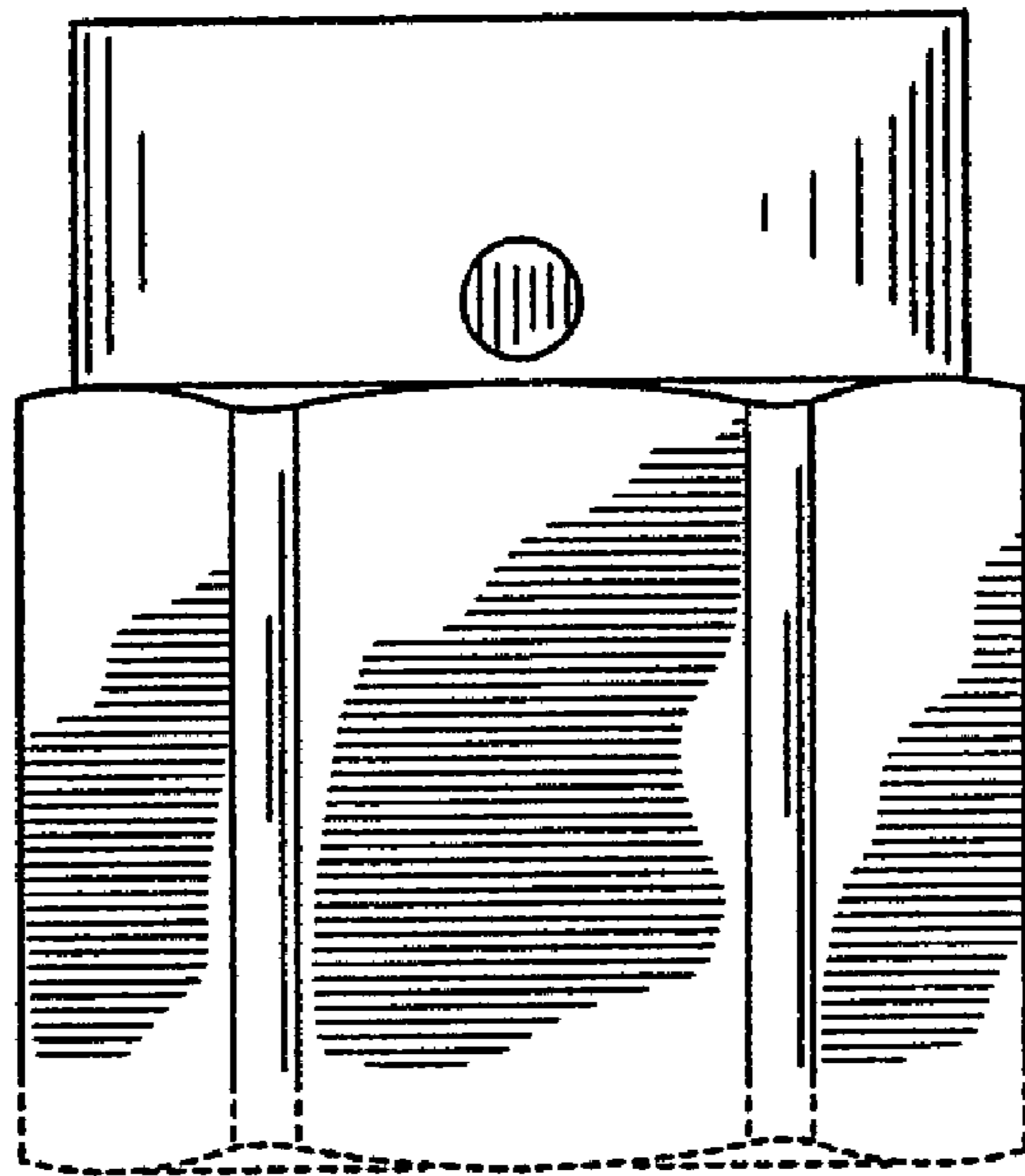
FIG. 2



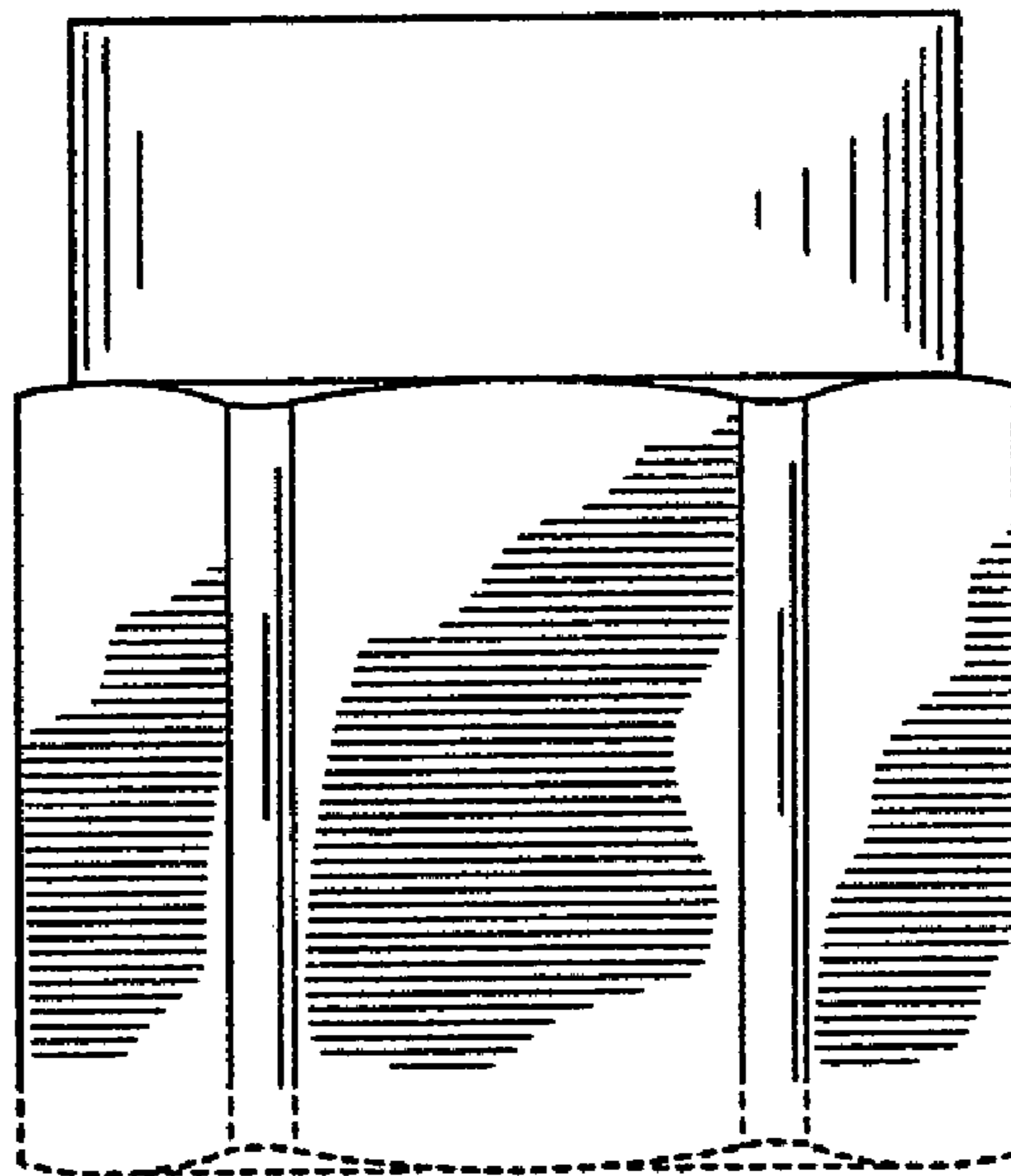
**FIG. 3**



**FIG. 4**



**FIG. 5**



**FIG. 6**

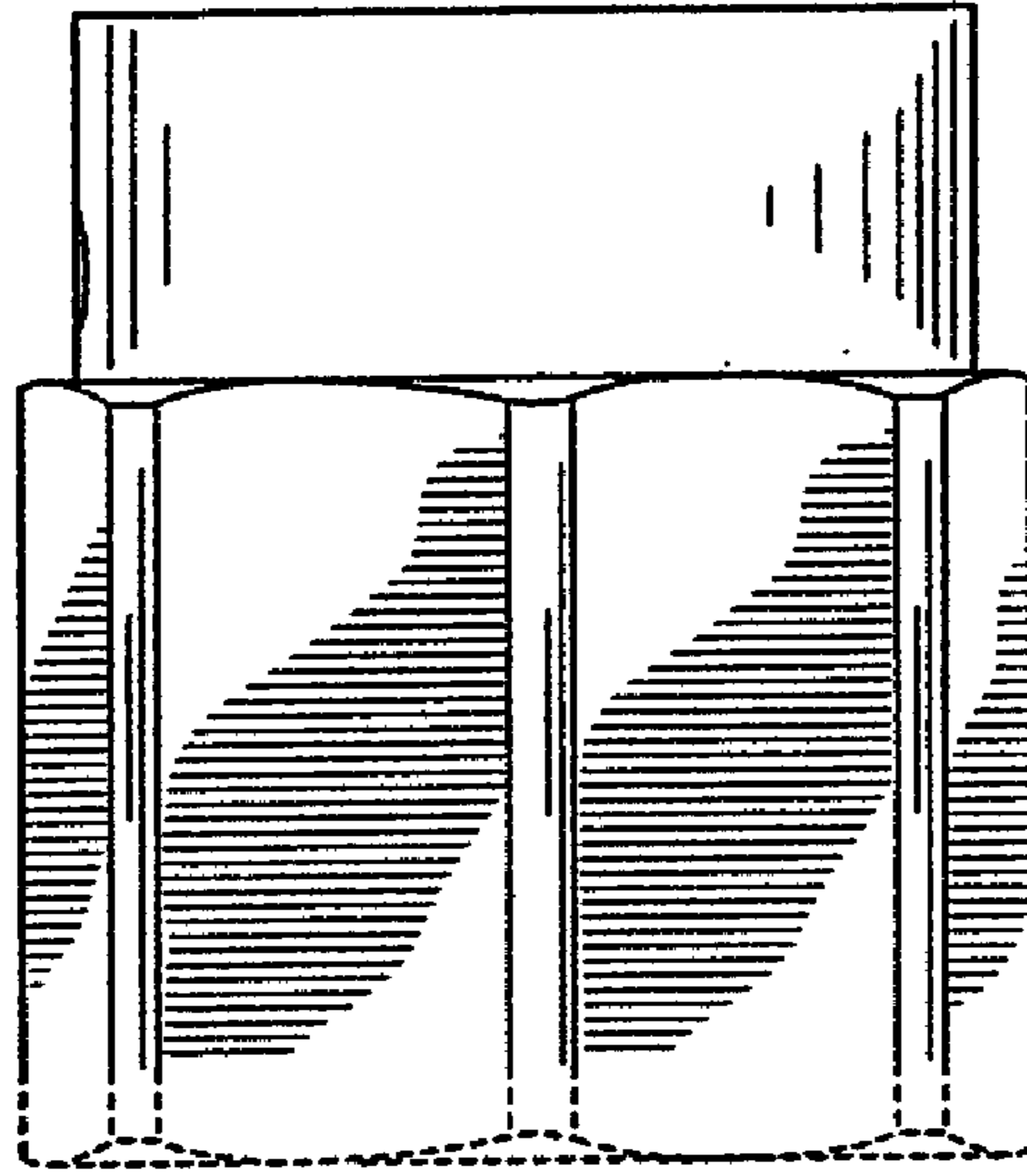


FIG. 7

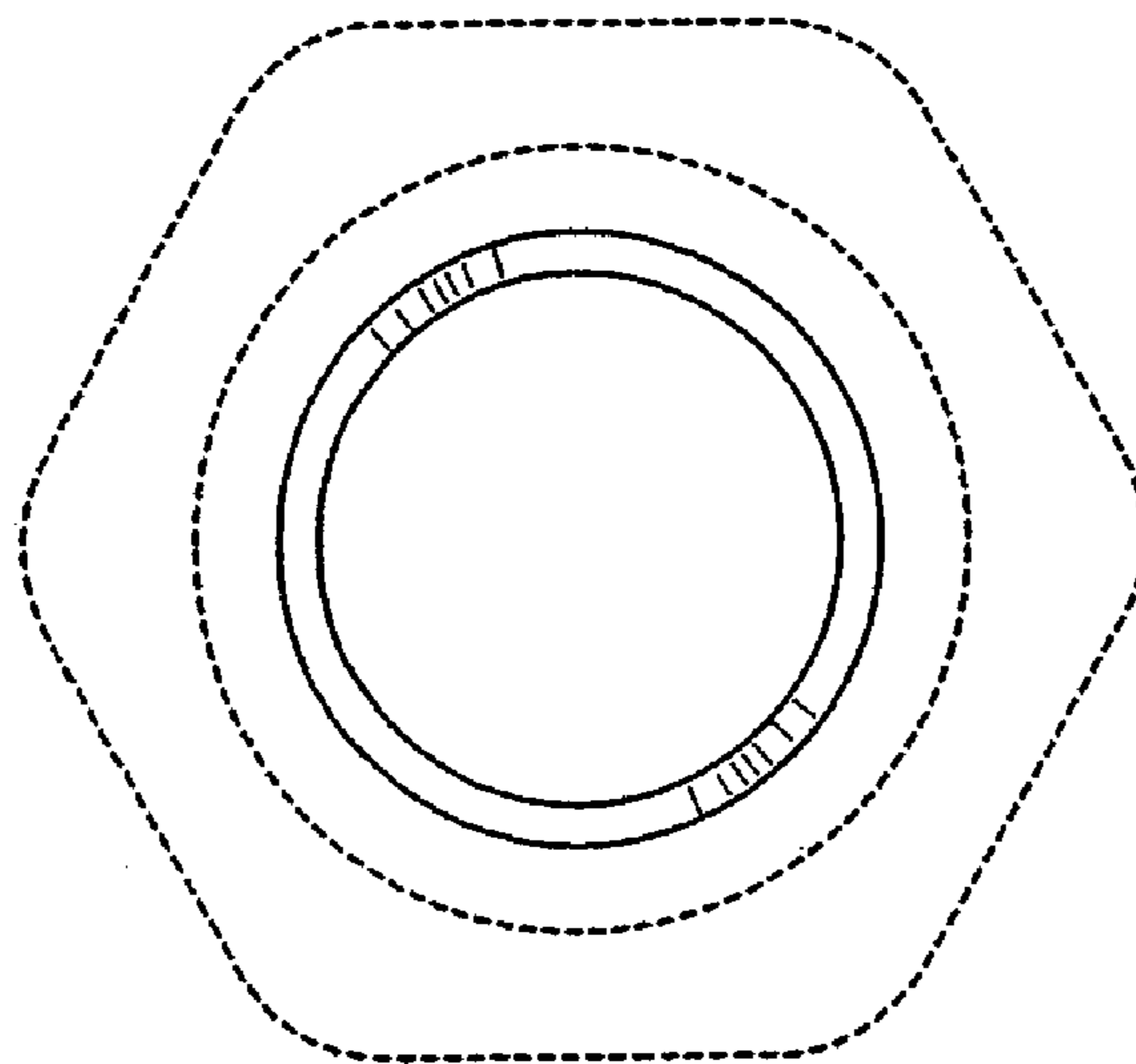
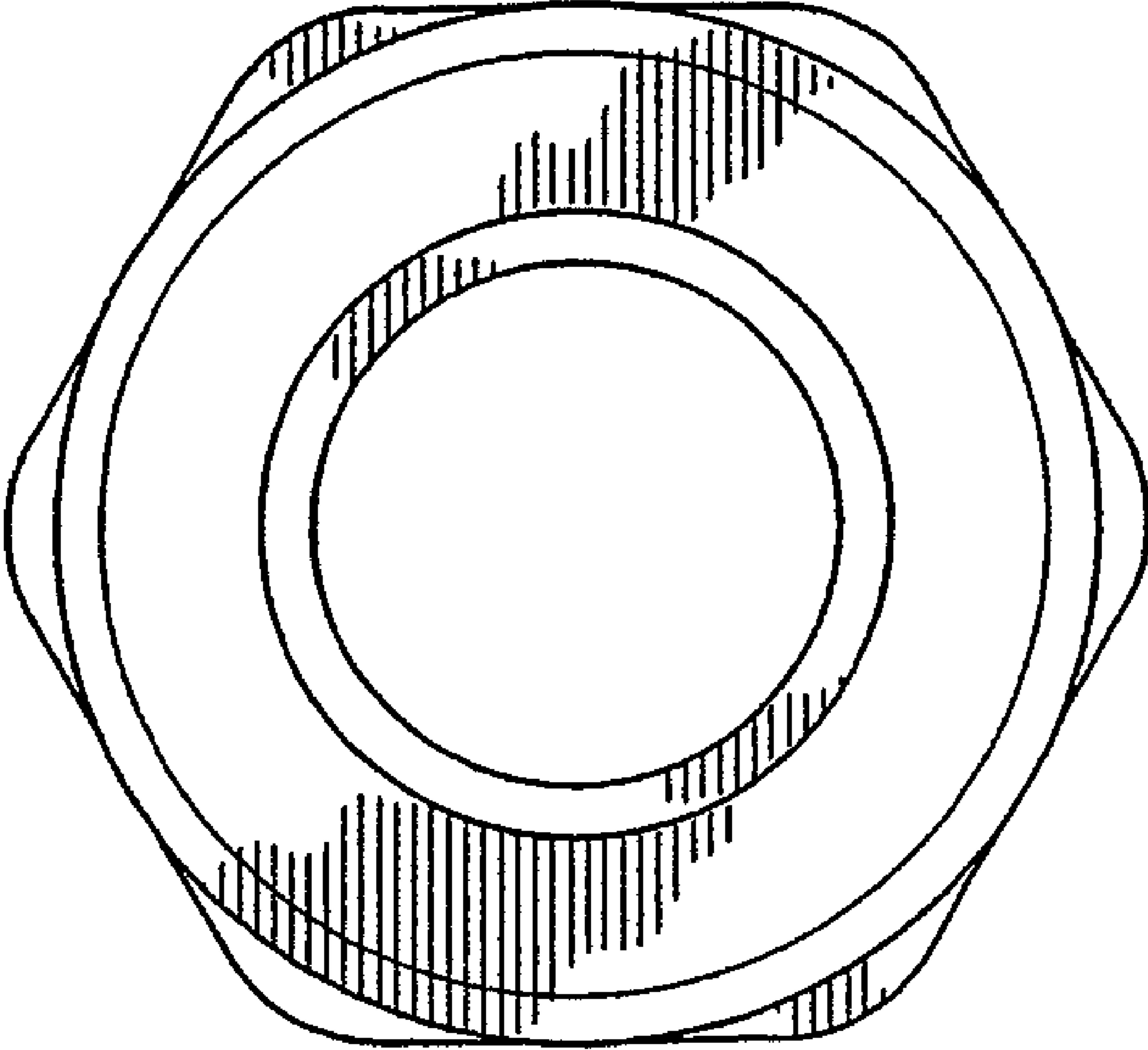


FIG. 8



**FIG. 9**