

US00D549803S

(12) **United States Design Patent**
Jaeb

(10) **Patent No.:** **US D549,803 S**

(45) **Date of Patent:** **** Aug. 28, 2007**

(54) **SPOUT**

(75) Inventor: **Michael S. Jaeb**, Millersburg, OH (US)

(73) Assignee: **Moen Incorporated**, North Olmsted, OH (US)

(**) Term: **14 Years**

(21) Appl. No.: **29/265,414**

(22) Filed: **Aug. 31, 2006**

(51) **LOC (8) Cl.** **23-01**

(52) **U.S. Cl.** **D23/255; D23/257**

(58) **Field of Classification Search** D23/238-257;
4/675-678; 137/801

See application file for complete search history.

(56) **References Cited**

U.S. PATENT DOCUMENTS

D181,595 S	12/1957	McLean	
D187,846 S	5/1960	Brown	
D190,711 S	6/1961	Kohler	
D190,791 S	6/1961	Kohler	
D229,495 S	12/1973	Landell	
D258,522 S	3/1981	Thevenot	
D280,437 S	9/1985	Rademacher	
D287,271 S	12/1986	Piesco	
D289,077 S	3/1987	Kolada	
D291,234 S	8/1987	Bergmann et al.	
D308,568 S	6/1990	Strignano	
D316,895 S *	5/1991	Hill et al.	D23/255
D317,496 S	6/1991	Kohler, Jr. et al.	
D318,902 S *	8/1991	Razumov	D23/242
D318,907 S *	8/1991	Kohler et al.	D23/257
D324,416 S	3/1992	Stairs, Jr. et al.	

D324,723 S	3/1992	Chretien
D348,508 S	7/1994	Yost
D350,595 S	9/1994	Paul
D361,827 S	8/1995	Doughty et al.
D370,053 S	5/1996	Hill et al.
D381,066 S	7/1997	Hill et al.
D381,397 S	7/1997	Steffes
D388,505 S	12/1997	Oswaks et al.
D410,065 S	5/1999	Fabian et al.
D422,341 S	4/2000	Slothower et al.
D464,401 S	10/2002	Wurth
D496,432 S	9/2004	Ouyoung

* cited by examiner

Primary Examiner—Louis S. Zarfes

Assistant Examiner—Gregory Andoll

(74) *Attorney, Agent, or Firm*—Calfee, Halter & Griswold, LLP

(57) **CLAIM**

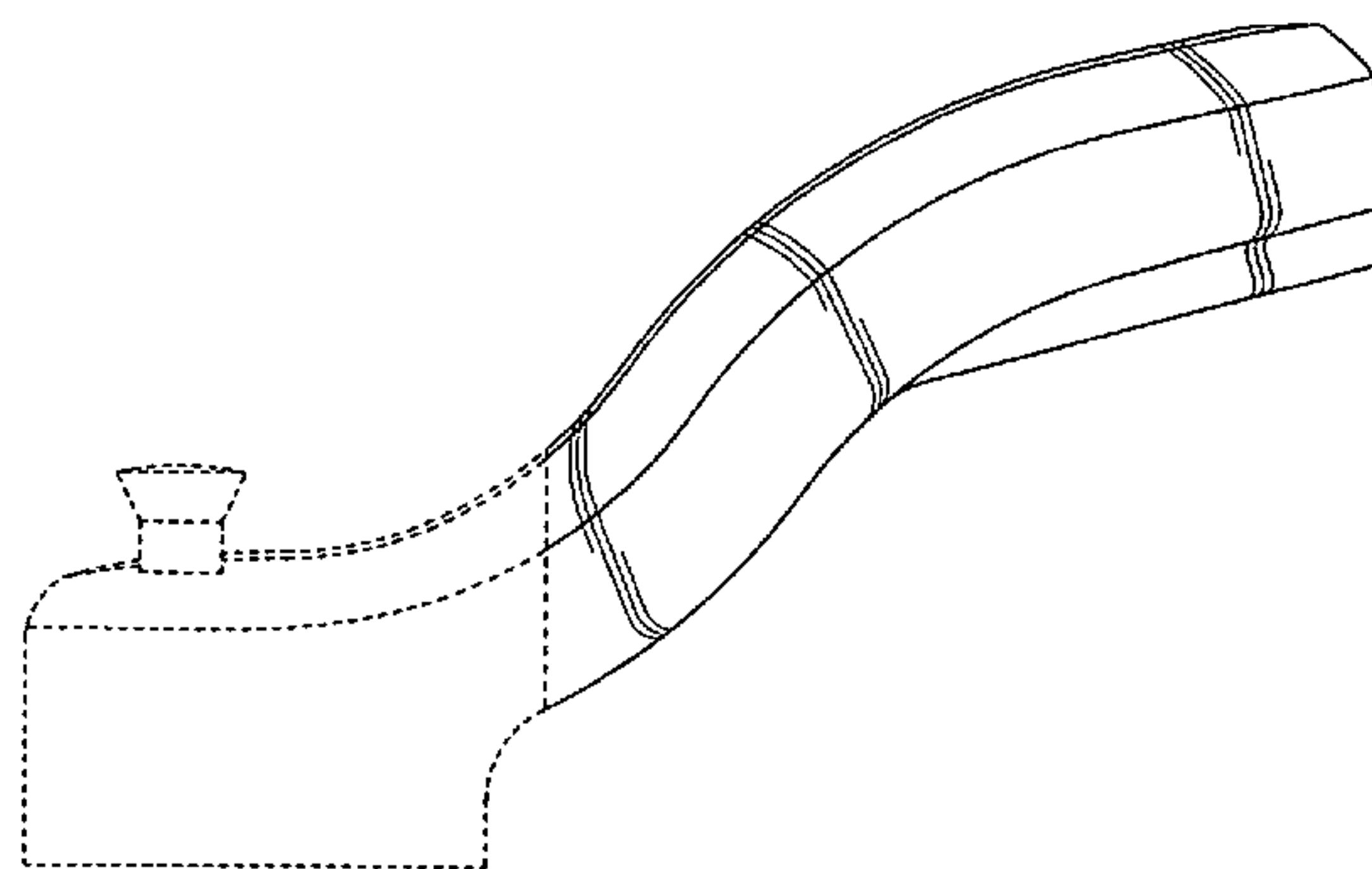
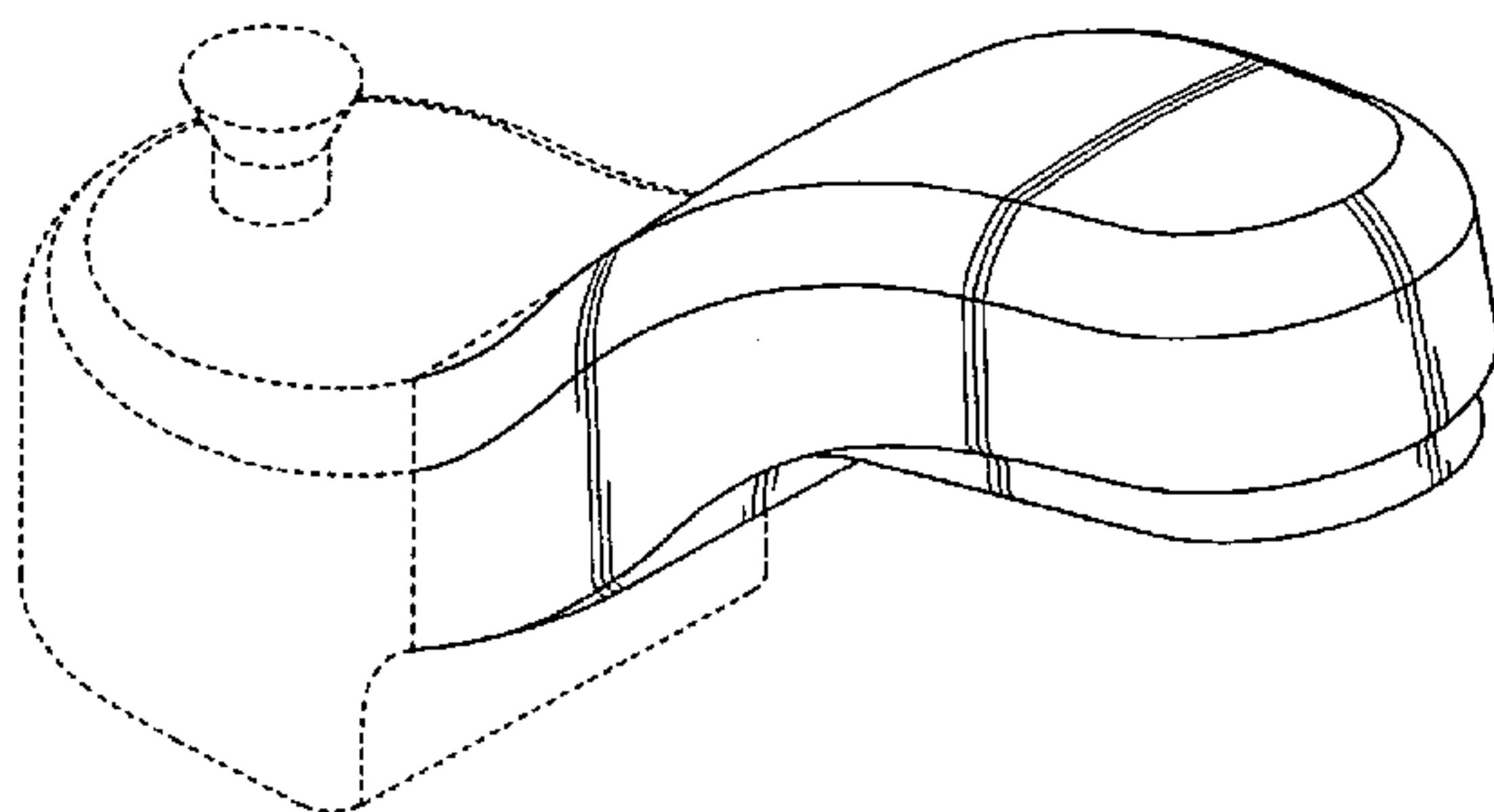
The ornamental design for a spout, as shown and described.

DESCRIPTION

FIG. 1 is a perspective view of a spout of the new design; FIG. 2 is a front elevational view of the spout of FIG. 1; FIG. 3 is a rear elevational view of the spout of FIG. 1; FIG. 4 is a left side elevational view of the spout of FIG. 1, wherein the right side is a mirror image of the left side; FIG. 5 is a top plan view of the spout of FIG. 1; and, FIG. 6 is a bottom plan view of the spout of FIG. 1.

The portions of the Figures shown in broken lines are not part of the claimed design and are for illustration only.

1 Claim, 2 Drawing Sheets



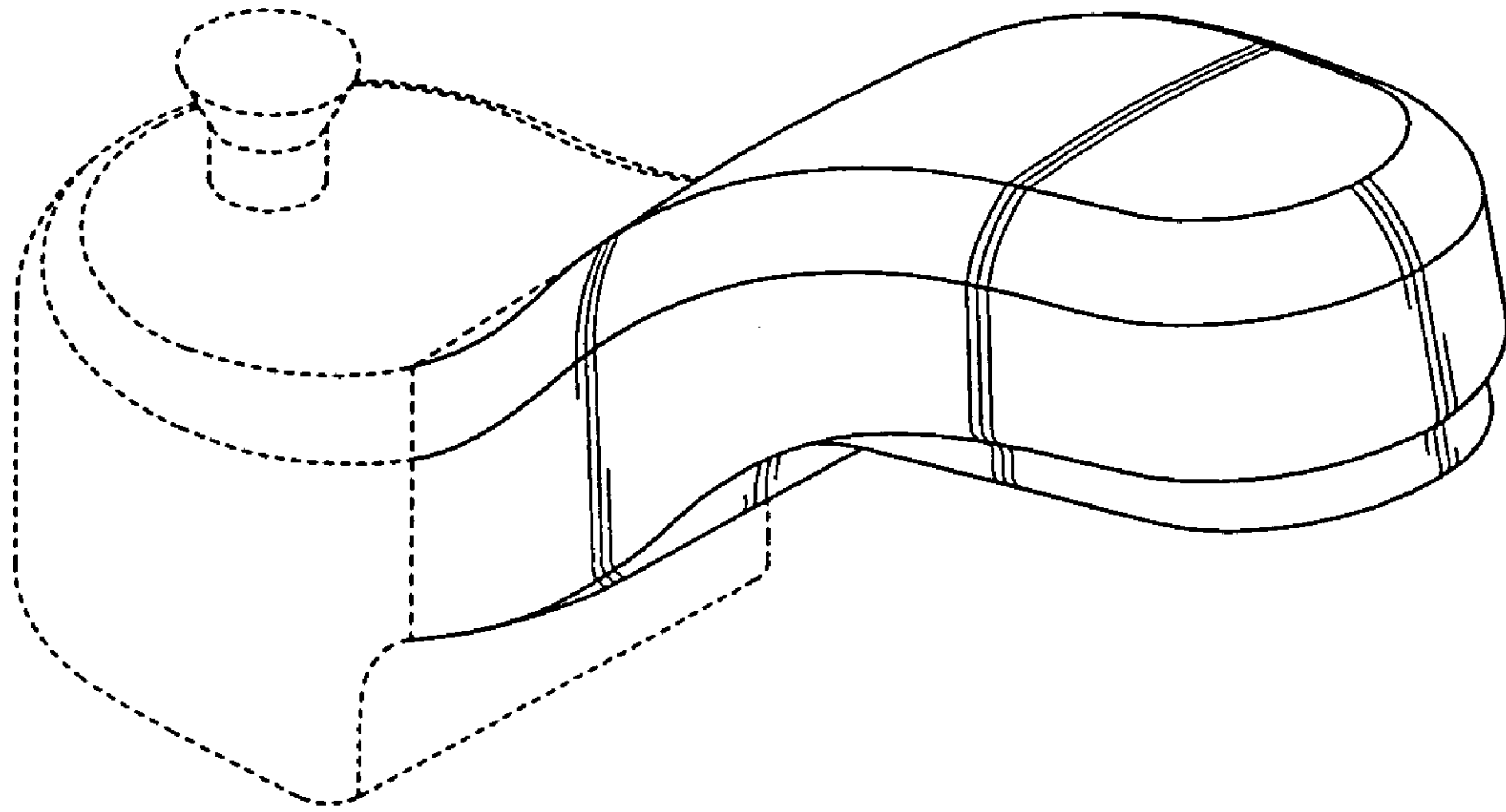


FIG. 1

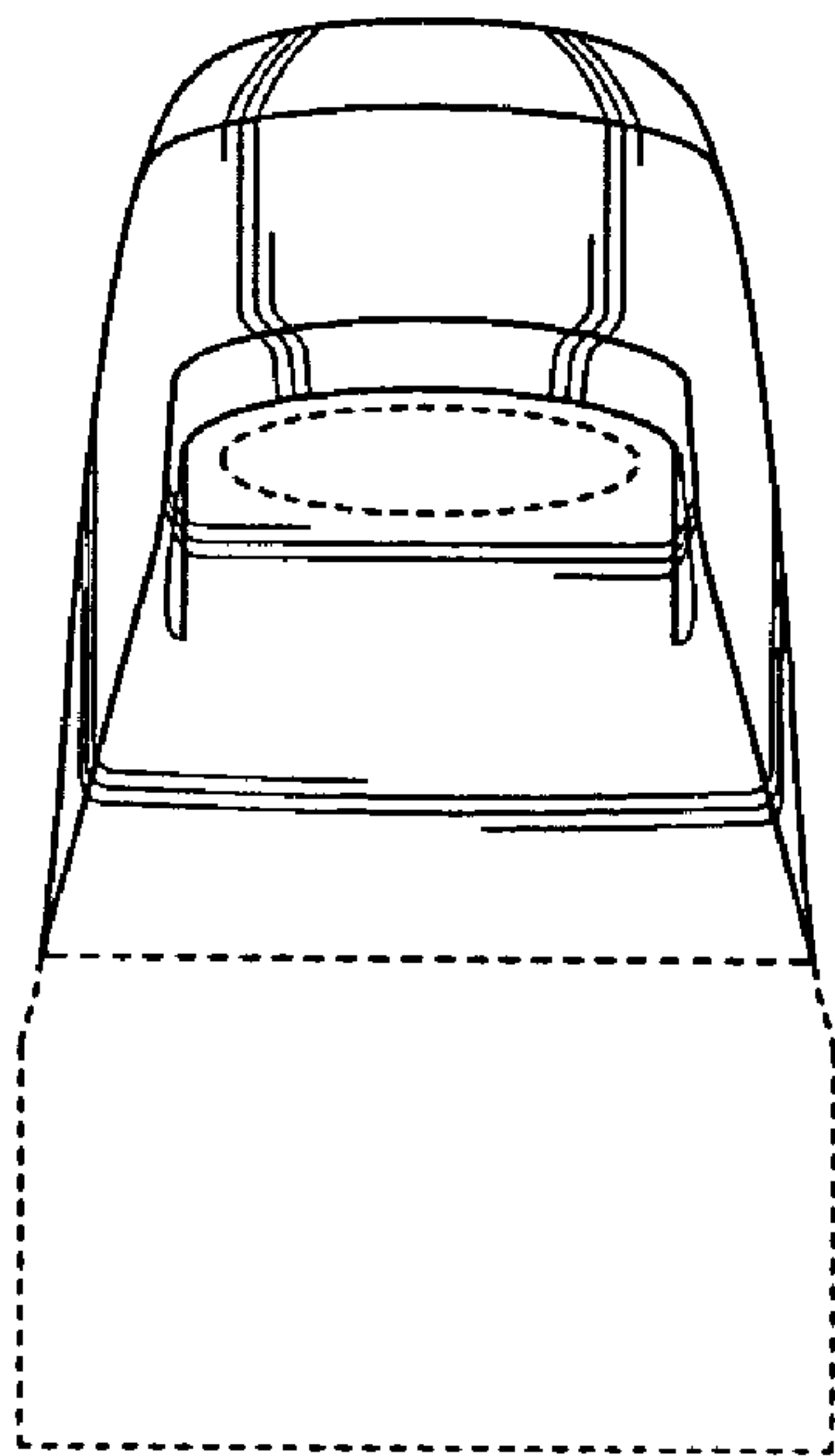


FIG. 2

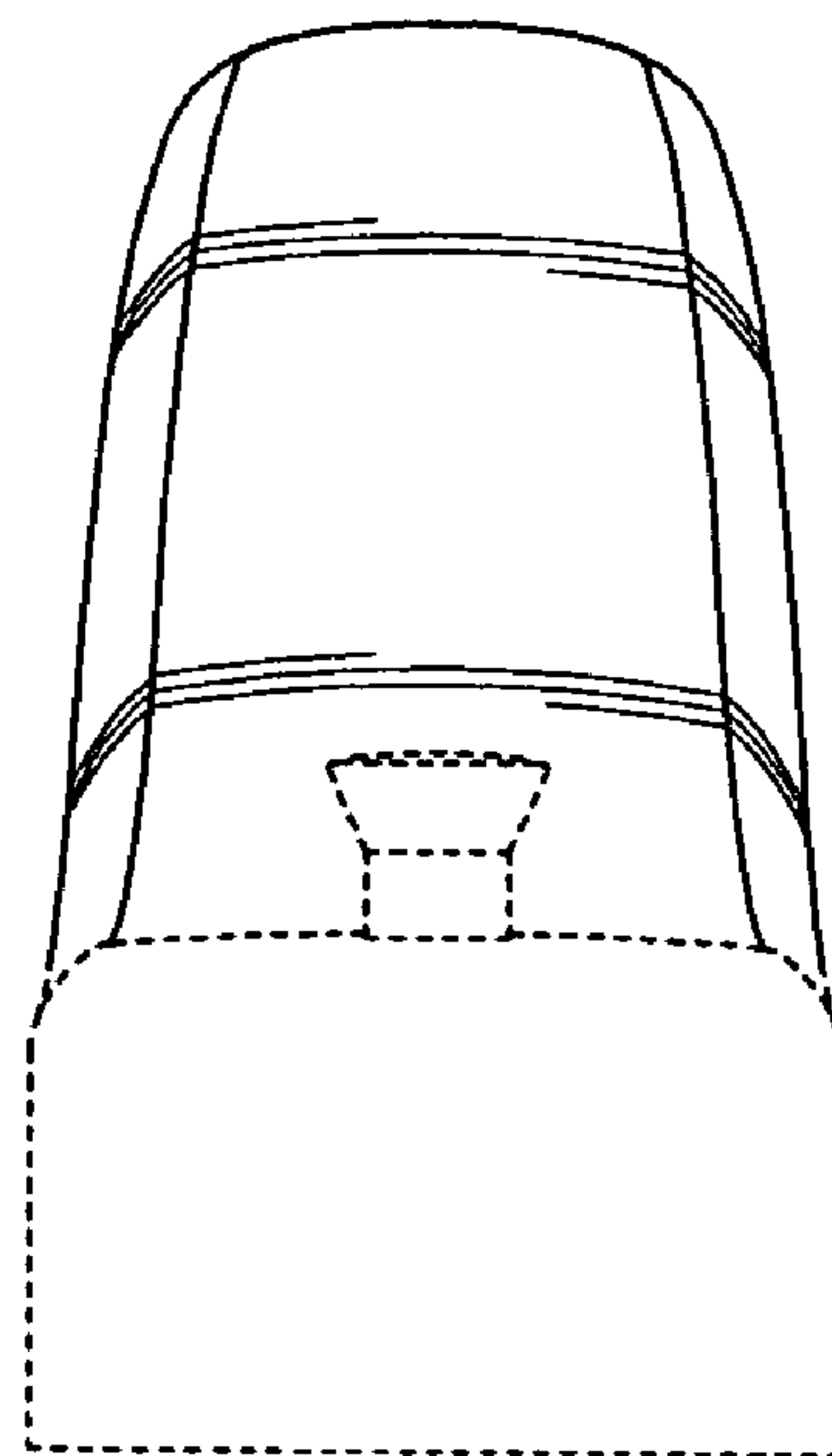


FIG. 3

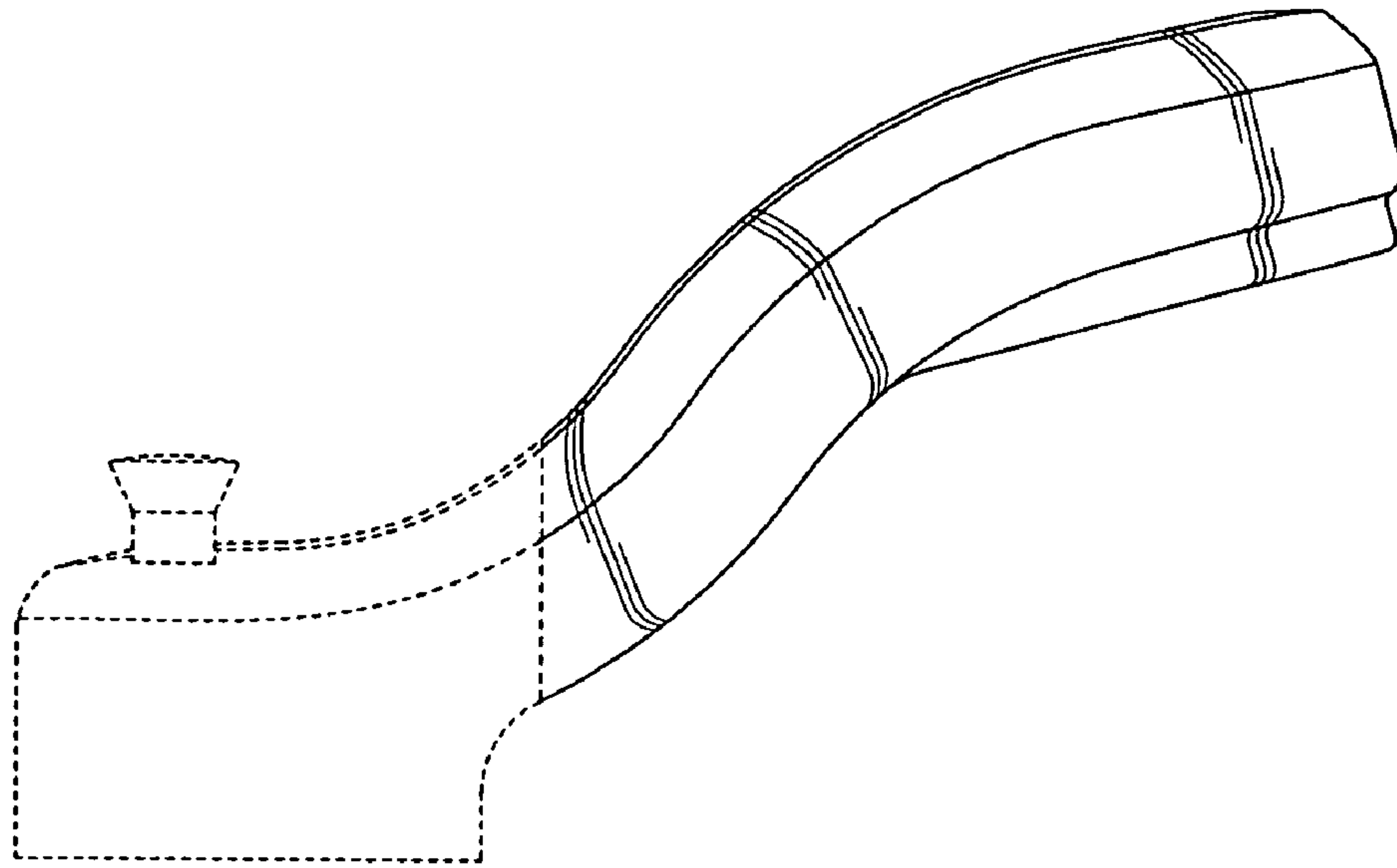


FIG. 4

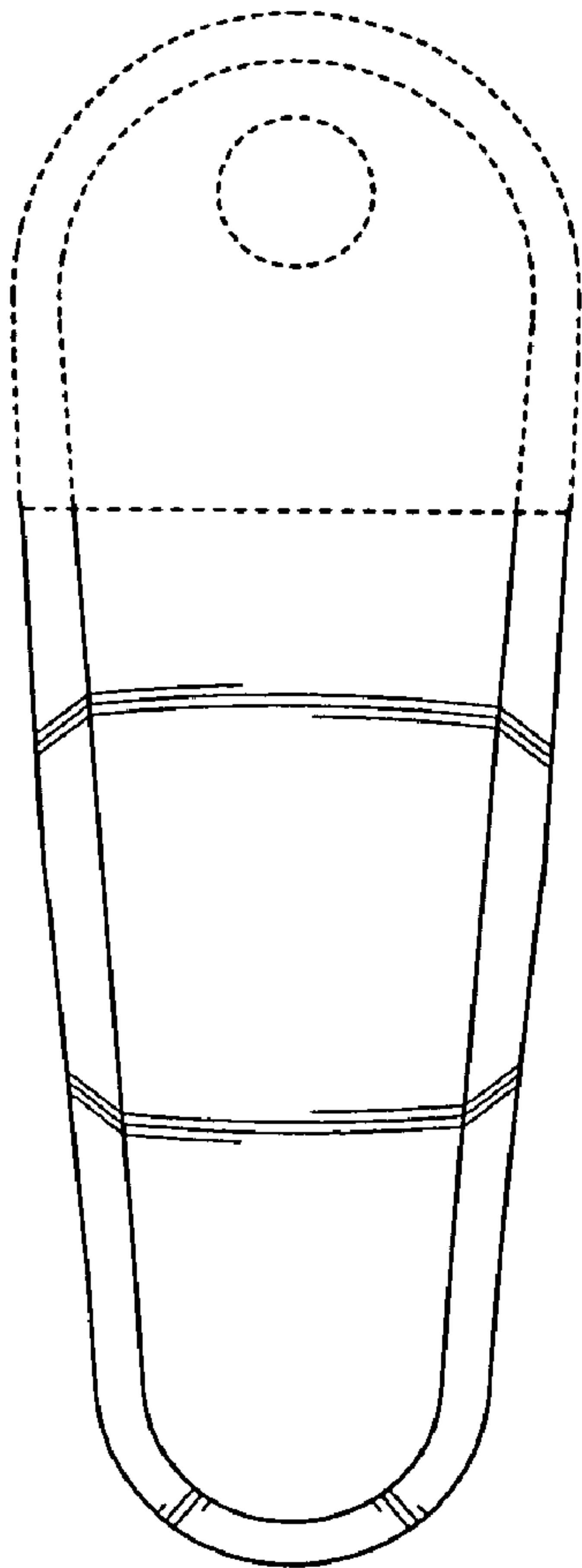


FIG. 5

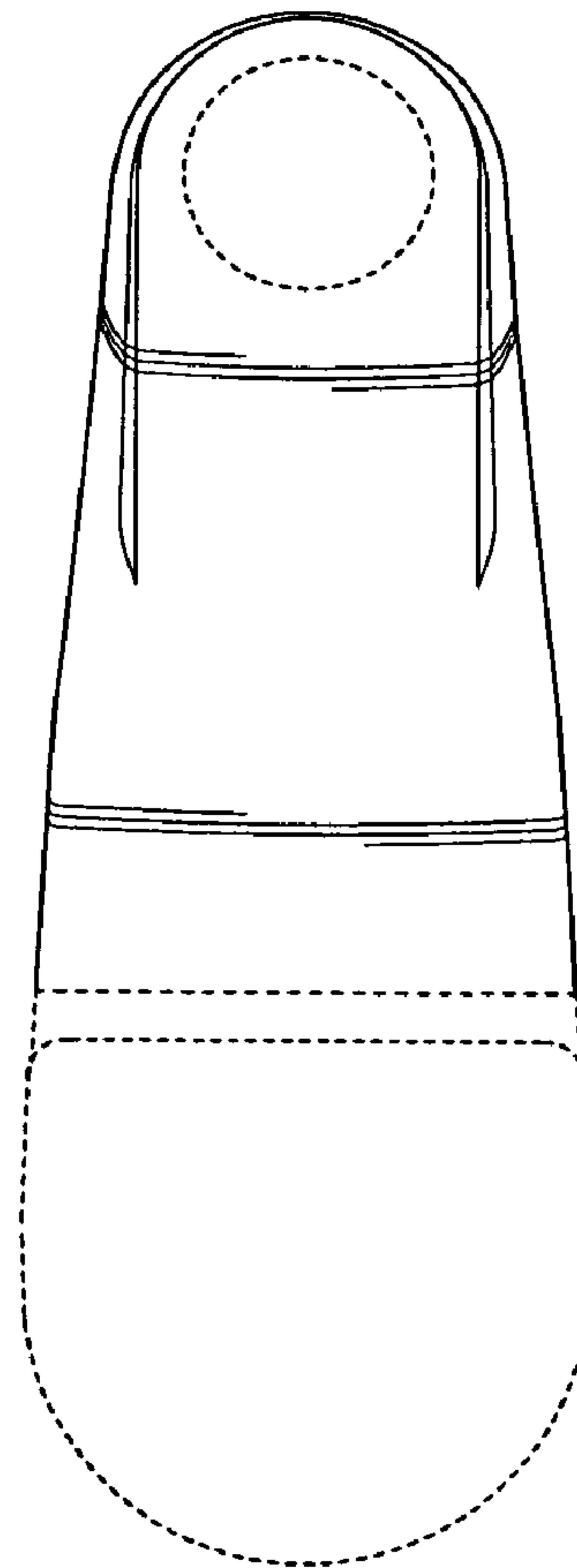


FIG. 6