

US00D549798S

(12) **United States Design Patent**
Mead

(10) **Patent No.:** **US D549,798 S**

(45) **Date of Patent:** **** Aug. 28, 2007**

(54) **PORTABLE SWING ADAPTOR**

5,733,014 A * 3/1998 Murray 297/485
5,839,965 A * 11/1998 Mullins 472/118
6,095,613 A * 8/2000 Ostrander et al. 297/467

(76) Inventor: **Jean Ann Mead**, 192 Old Canon
Church Rd., Bowersville, GA (US)
30516

* cited by examiner

Primary Examiner—Mitchell Siegel

(**) Term: **14 Years**

(57) **CLAIM**

(21) Appl. No.: **29/258,026**

The ornamental design for a portable swing adaptor, as shown and described.

(22) Filed: **Apr. 14, 2006**

(51) **LOC (8) Cl.** **21-03**

(52) **U.S. Cl.** **D21/823**

(58) **Field of Classification Search** D21/811,
D21/814, 822–825; 119/770; 297/465, 467,
297/484, 485; 472/118–125

See application file for complete search history.

DESCRIPTION

The portable swing adaptor is a simple to use, portable, adjustable and machine washable fabric device that adapts most average-sized playground swings to a more supportive swing for toddlers and small children.

FIG. 1 is a front perspective view of the portable swing adaptor; and,

FIG. 2 is a rear perspective view of the portable swing adaptor.

(56) **References Cited**

U.S. PATENT DOCUMENTS

2,212,746 A * 8/1940 Nunn 119/770
4,927,211 A * 5/1990 Bolcerek 297/465
D316,135 S * 4/1991 Barber, Jr. D21/823

1 Claim, 2 Drawing Sheets

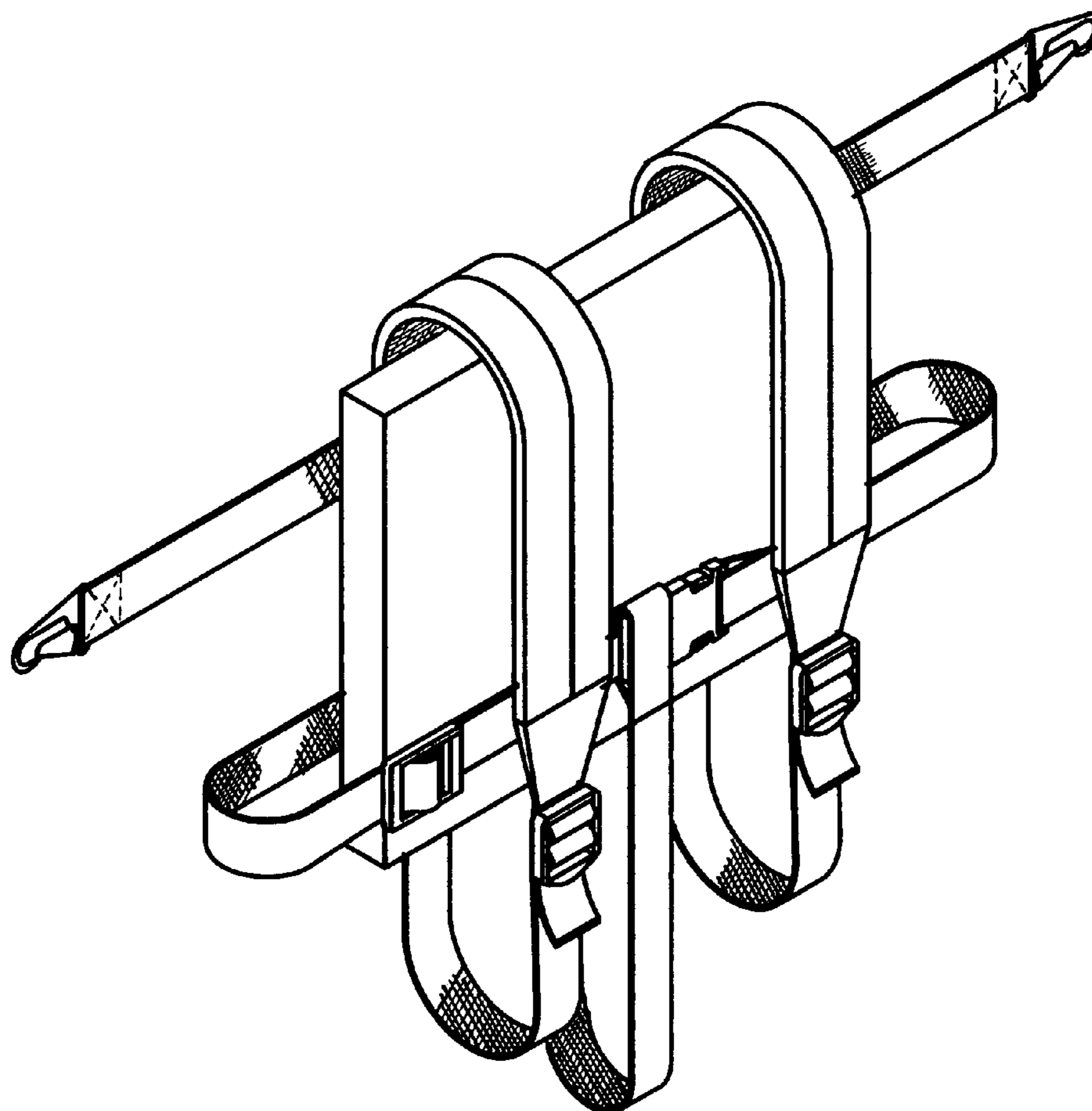


Fig. 1

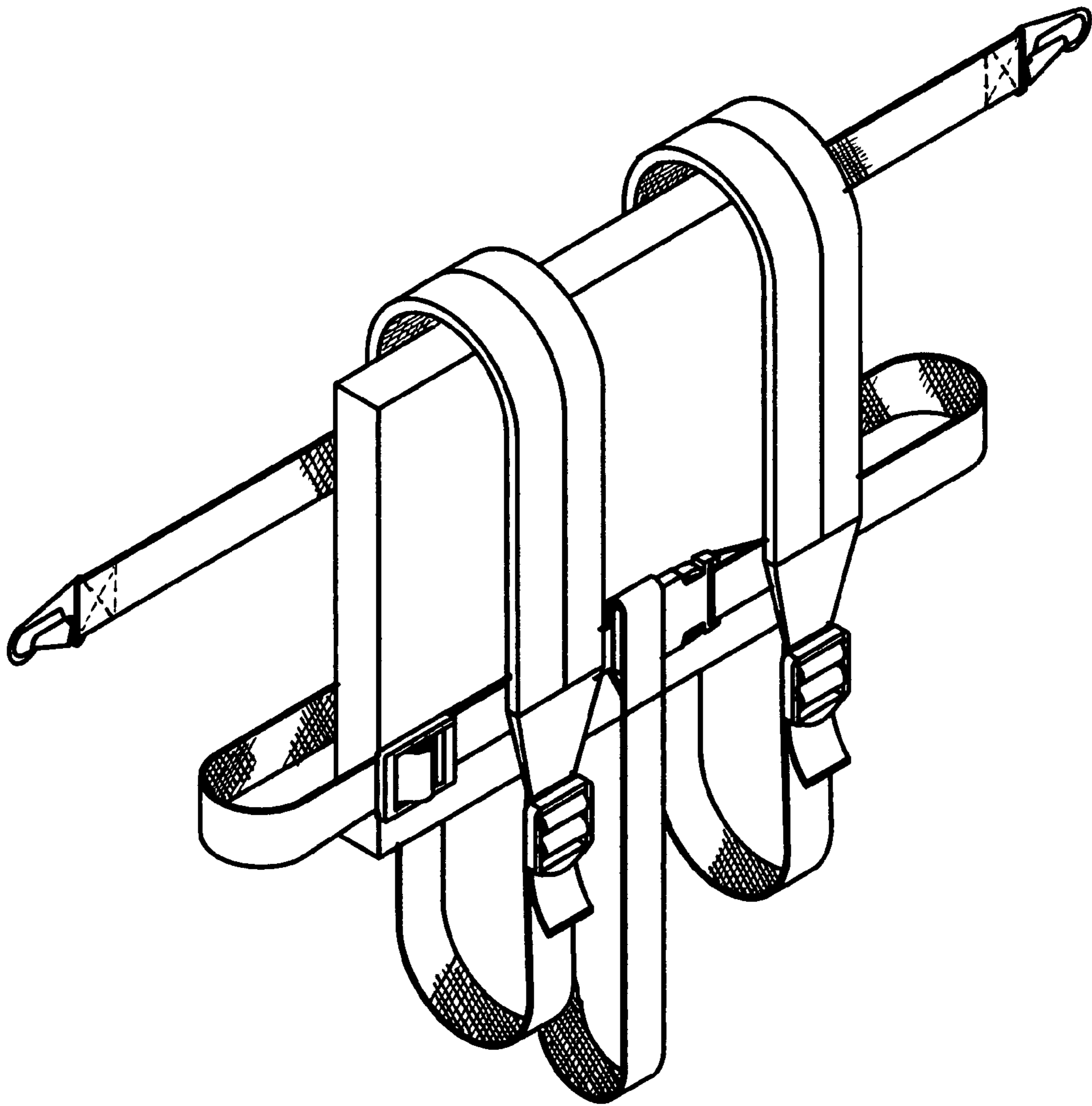


Fig. 2

