



US00D549797S

(12) **United States Design Patent**  
**Oldknow**

(10) **Patent No.:** **US D549,797 S**

(45) **Date of Patent:** **\*\* Aug. 28, 2007**

(54) **PORTION OF A GOLF CLUB HEAD**

(75) Inventor: **Andrew G. V. Oldknow**, Beaverton,  
OR (US)

(73) Assignee: **Nike, Inc.**, Beaverton, OR (US)

(\*\*) Term: **14 Years**

(21) Appl. No.: **29/249,657**

(22) Filed: **Oct. 16, 2006**

**Related U.S. Application Data**

(63) Continuation of application No. 29/248,432, filed on  
Aug. 16, 2006.

(51) **LOC (8) Cl.** ..... **21-02**

(52) **U.S. Cl.** ..... **D21/759**

(58) **Field of Classification Search** ..... D21/733-752,  
D21/759; 473/324-331, 350  
See application file for complete search history.

(56) **References Cited**

**U.S. PATENT DOCUMENTS**

5,390,924 A	2/1995	Antonious
D376,399 S	12/1996	Boone
D390,617 S	2/1998	Solheim et al.
D428,634 S	7/2000	Nagai et al.
D464,387 S	10/2002	Rollinson et al.
D464,693 S	10/2002	Rollinson et al.
D467,292 S	12/2002	Saraie et al.
D474,822 S	5/2003	Cleveland et al.
6,638,183 B2	10/2003	Takeda
D485,877 S	1/2004	Clausen et al.
D490,871 S	6/2004	Gilbert et al.
D492,376 S *	6/2004	Nicolette et al. .... D21/747
D496,419 S	9/2004	Lang et al.
D498,277 S	11/2004	Lang et al.

D501,237 S	1/2005	Madore
D503,204 S *	3/2005	Nicolette et al. .... D21/749
D507,816 S	7/2005	Lang et al.
D511,553 S	11/2005	Madore
D512,757 S	12/2005	Cleveland et al.
D517,626 S	3/2006	Gilbert et al.
D523,501 S *	6/2006	Nicolette et al. .... D21/749
2005/0090329 A1	4/2005	Gilbert et al.
2005/0192116 A1	9/2005	Imamoto
2006/0025237 A1	2/2006	Aguinaldo et al.

**OTHER PUBLICATIONS**

Edwin Watts Golf Catalog Jan. 2004, p. 16.  
Edwin Watts Golf Catalog Spring 2004, p. 82.

\* cited by examiner

*Primary Examiner*—Mitchell Siegel

(74) *Attorney, Agent, or Firm*—Banner & Witcoff, Ltd.

(57) **CLAIM**

The ornamental design for a portion of a golf club head, as  
shown and described.

**DESCRIPTION**

FIG. 1 is a rear perspective view of a portion of a golf club  
head showing my new design;

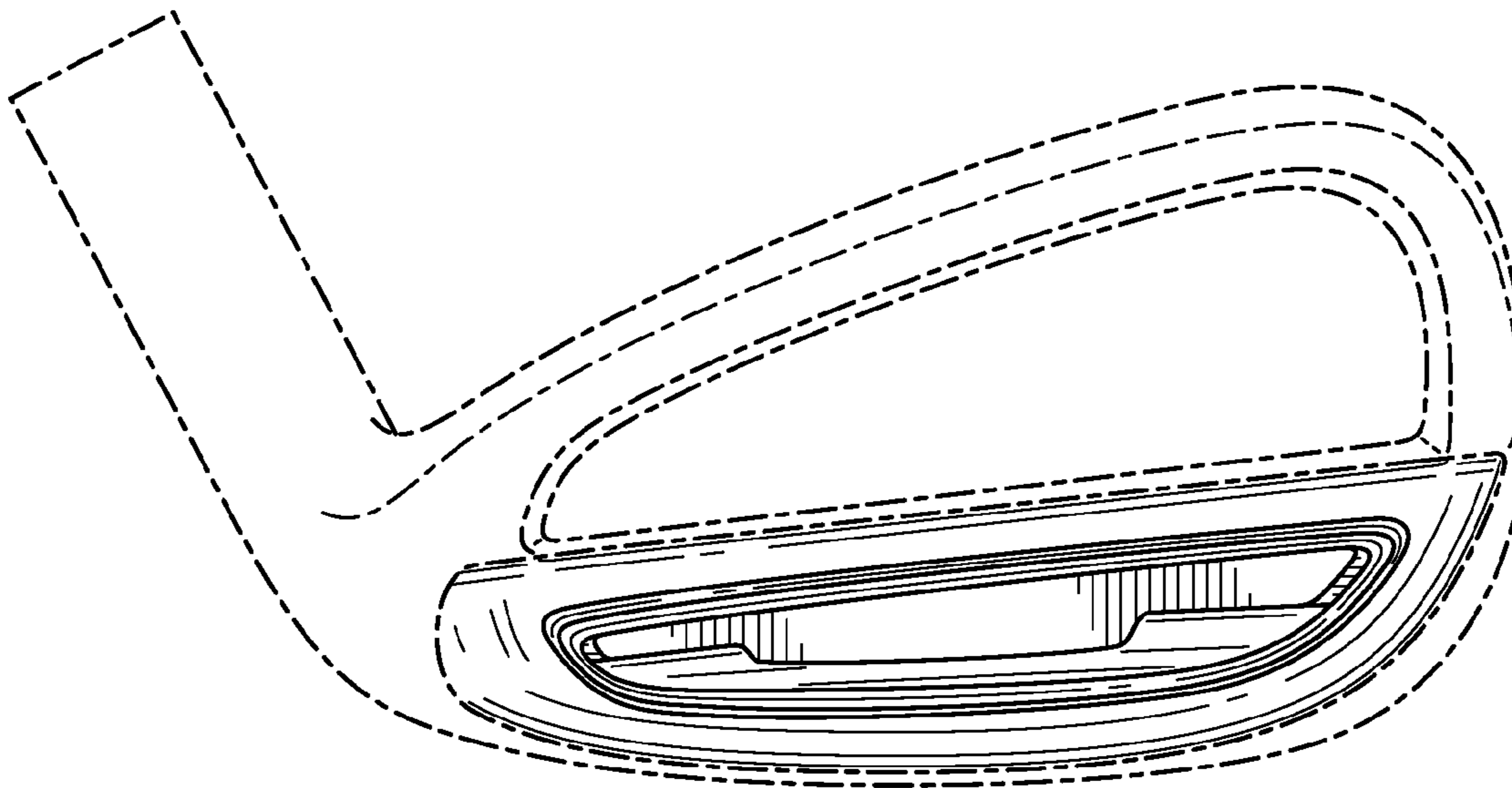
FIG. 2 is a rear view thereof;

FIG. 3 is a heel end view thereof; and,

FIG. 4 is a bottom view thereof.

The broken line immediately adjacent to the shaded region  
forms an unclaimed boundary of the design. The broken line  
showing of the remainder of the golf club head is for  
illustrative purposes only and forms no part of the claimed  
design.

**1 Claim, 3 Drawing Sheets**



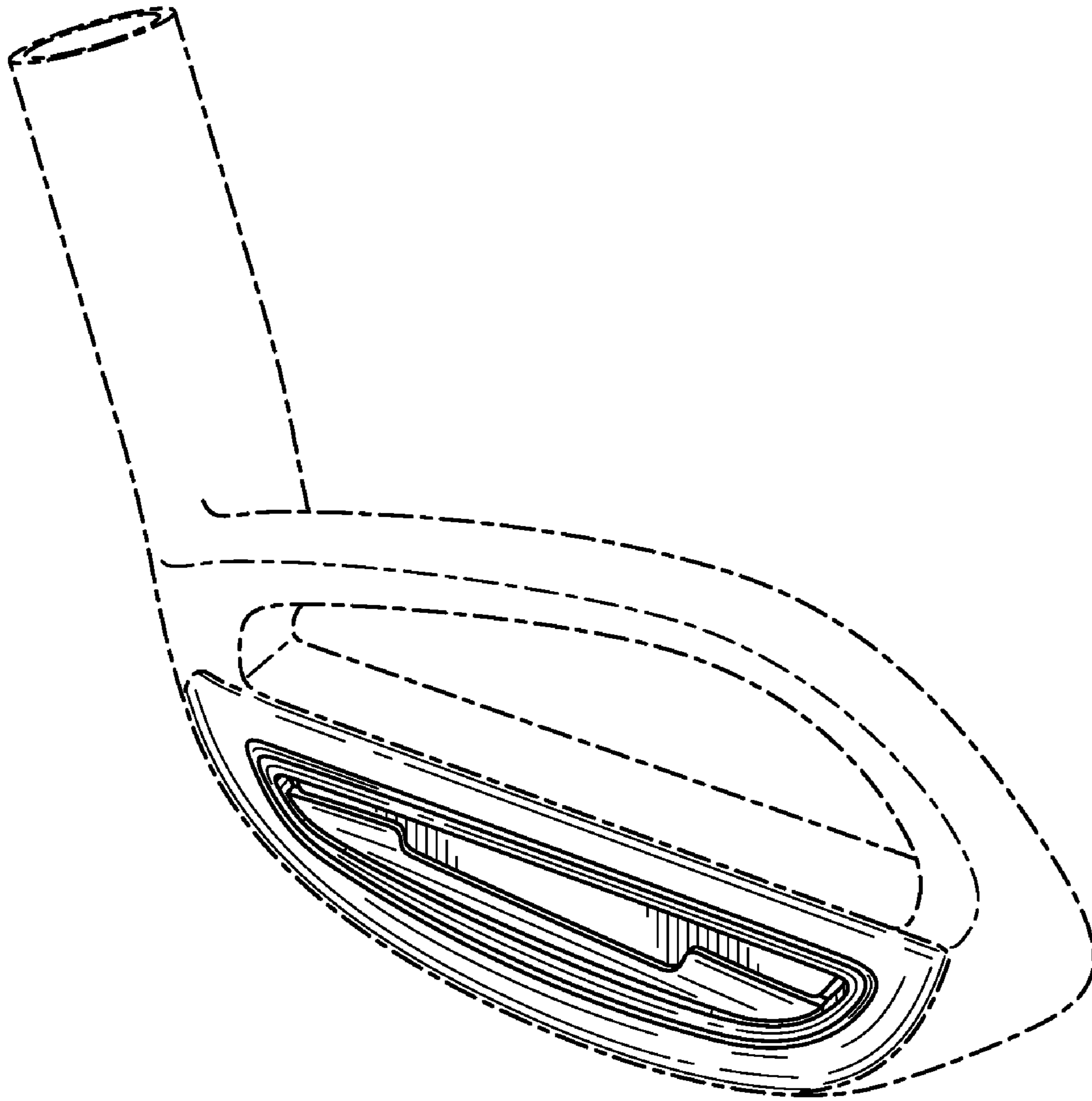


FIG. 1

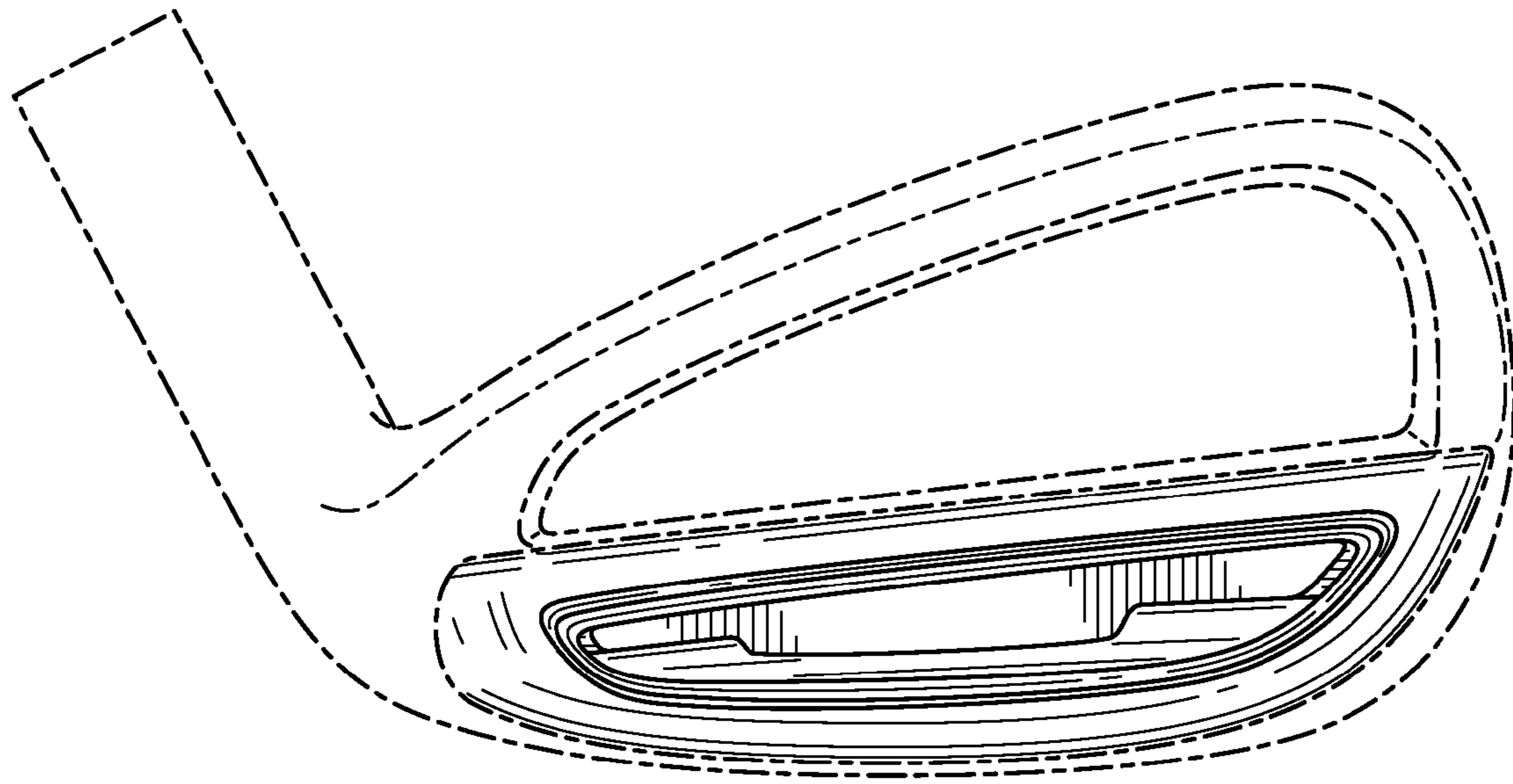


FIG. 2

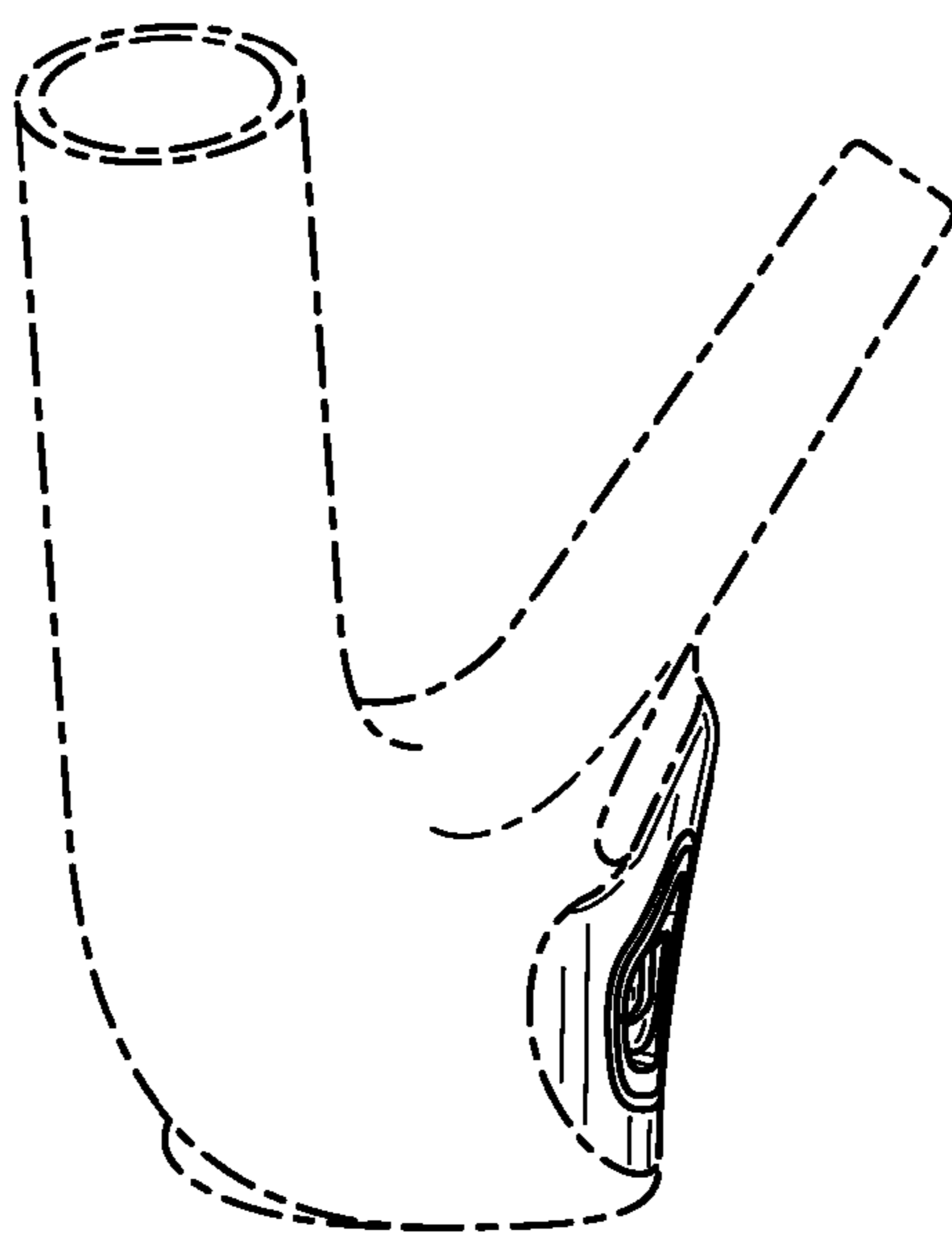


FIG. 3

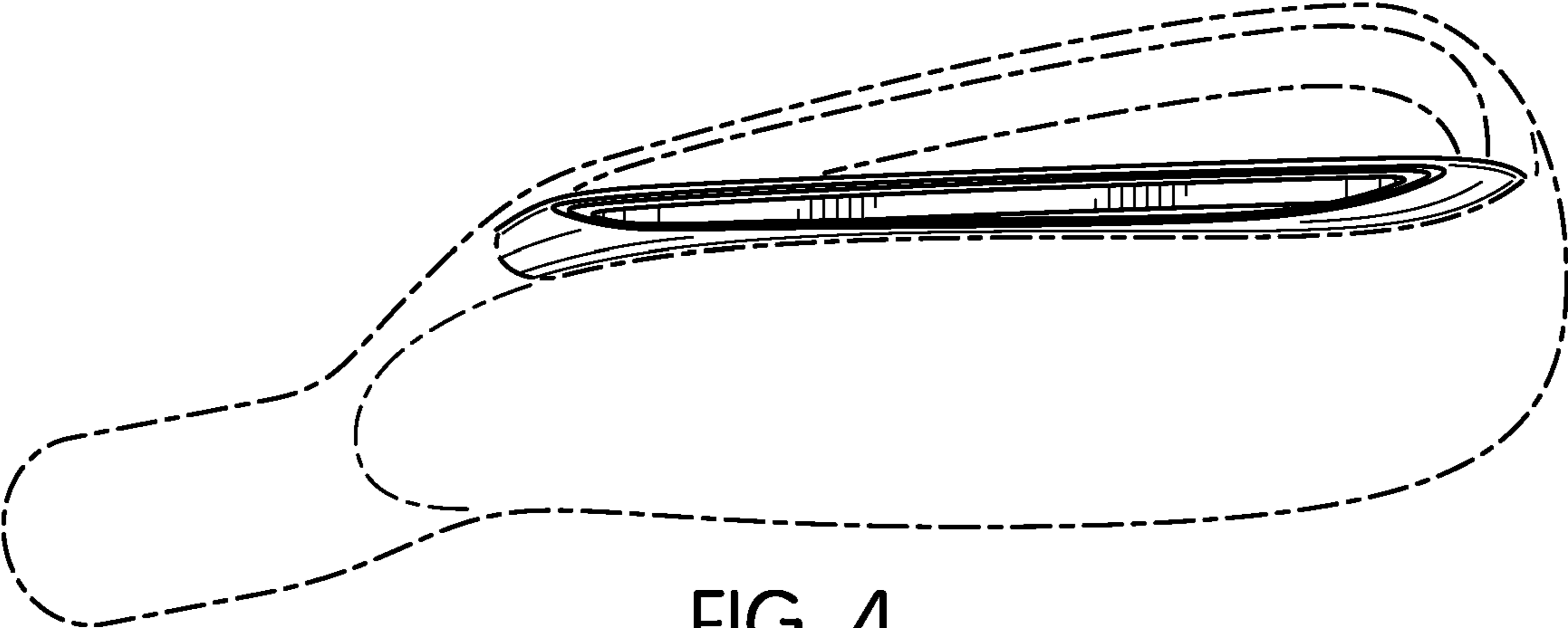


FIG. 4