



US00D549796S

(12) **United States Design Patent**  
**Oldknow**

(10) **Patent No.:** **US D549,796 S**

(45) **Date of Patent:** **\*\* Aug. 28, 2007**

(54) **PORTION OF A GOLF CLUB HEAD**

(75) Inventor: **Andrew G. V. Oldknow**, Beaverton,  
OR (US)

(73) Assignee: **Nike, Inc.**, Beaverton, OR (US)

(\*\*) Term: **14 Years**

(21) Appl. No.: **29/249,651**

(22) Filed: **Oct. 16, 2006**

D475,108 S	5/2003	Madore	
D475,428 S	6/2003	Madore	
D478,952 S	8/2003	Greene	
6,666,779 B1	12/2003	Iwata et al.	
D487,127 S	2/2004	Madore	
D498,280 S	11/2004	Gilbert et al.	
D499,779 S	12/2004	Mahaffey et al.	
D502,237 S	2/2005	Schweigert et al.	
6,860,819 B2	3/2005	Gilbert	
D508,722 S	8/2005	Iwata et al.	
D509,870 S *	9/2005	Madore	..... D21/759
D511,362 S *	11/2005	Madore	..... D21/759

**Related U.S. Application Data**

(63) Continuation of application No. 29/248,432, filed on  
Aug. 16, 2006.

(51) **LOC (8) Cl.** ..... **21-02**

(52) **U.S. Cl.** ..... **D21/759**

(58) **Field of Classification Search** ..... D21/733-752,  
D21/759; 473/324-331, 350

See application file for complete search history.

(56) **References Cited**

**U.S. PATENT DOCUMENTS**

D265,494 S	7/1982	Kobayashi	
D267,965 S	2/1983	Kobayashi	
D323,689 S	2/1992	Hardman et al.	
D323,690 S	2/1992	Hlinka	
D328,116 S *	7/1992	Antonious	..... D21/748
D383,820 S	9/1997	Watanabe	
D389,540 S	1/1998	Mendenhall	
D432,611 S	10/2000	McCabe et al.	
D445,862 S	7/2001	Ford	
D456,056 S	4/2002	Bakke	
6,454,665 B2	9/2002	Antonious	
6,482,104 B1	11/2002	Gilbert	
D466,961 S	12/2002	Nagai et al.	
D467,292 S *	12/2002	Saraie et al.	..... D21/749

(Continued)

**OTHER PUBLICATIONS**

Golfsmith Special Mid-Year Components Catalog Jul. 1995, p. 5.

*Primary Examiner*—Mitchell Siegel

(74) *Attorney, Agent, or Firm*—Banner & Witcoff, Ltd.

(57) **CLAIM**

The ornamental design for a portion of a golf club head, as  
shown and described.

**DESCRIPTION**

FIG. 1 is a rear perspective view of a portion of a golf club  
head showing my new design;

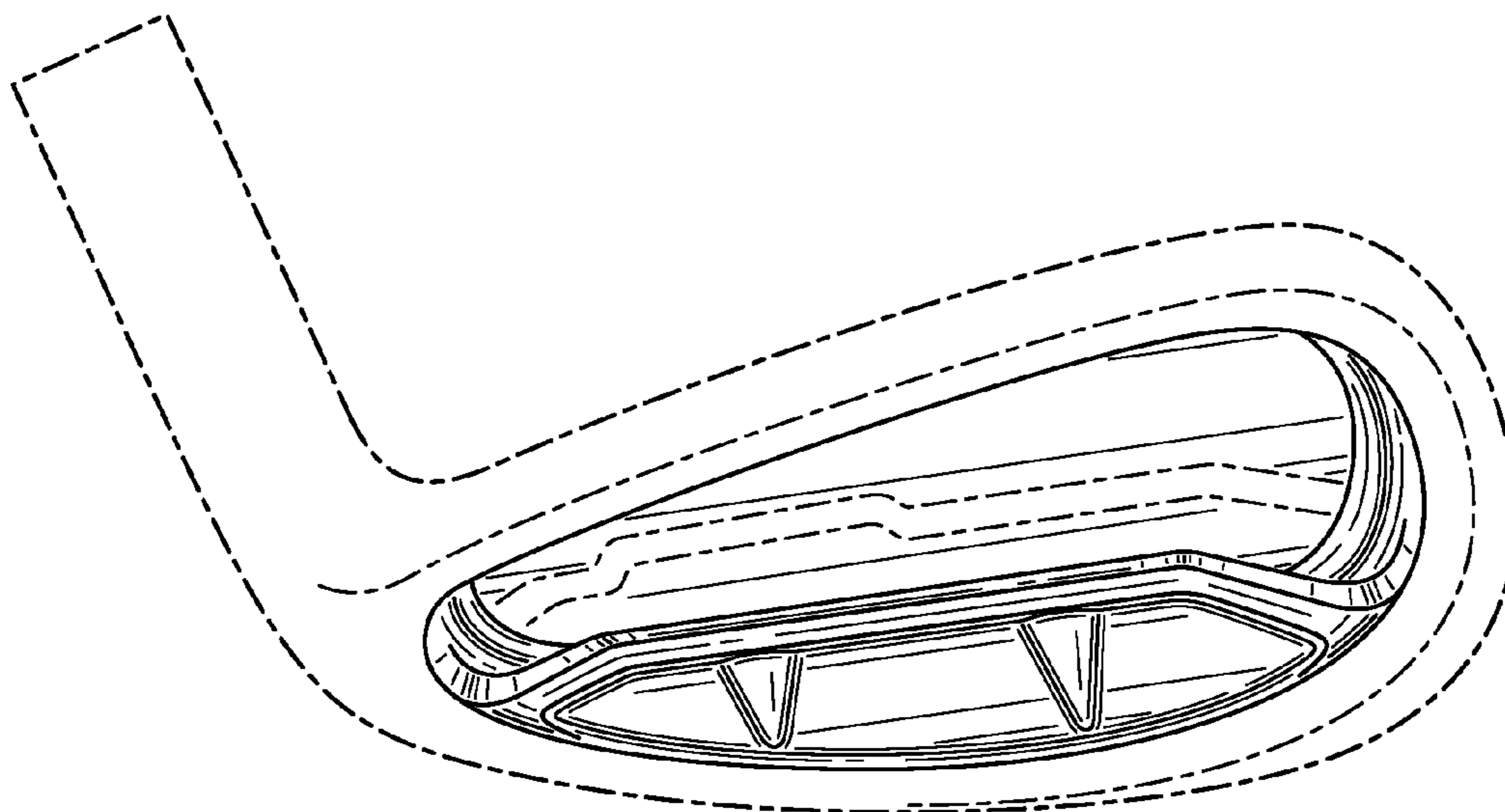
FIG. 2 is a rear view thereof;

FIG. 3 is a bottom view thereof; and,

FIG. 4 is a heel end view thereof.

The broken line showing of the ribbon within the shaded  
region and the remainder of the golf club head is for  
illustrative purposes only and forms no part of the claimed  
design.

**1 Claim, 3 Drawing Sheets**



# US D549,796 S

Page 2

---

U.S. PATENT DOCUMENTS					
D511,553 S	11/2005	Madore	D524,396 S *	7/2006	Madore et al. .... D21/759
D512,474 S	12/2005	Madore	D526,036 S	8/2006	Nishitani
6,984,180 B2	1/2006	Hasebe	D526,375 S	8/2006	Kawami
D516,152 S	2/2006	Madore	2001/0001774 A1	5/2001	Antonious
D518,538 S	4/2006	Ines et al.	2003/0092499 A1	5/2003	Gilbert
7,022,028 B2	4/2006	Nagai et al.	2004/0147335 A1	7/2004	Iwata et al.
D524,394 S *	7/2006	Madore et al. .... D21/759	2006/0183568 A1	8/2006	Bamber
					* cited by examiner

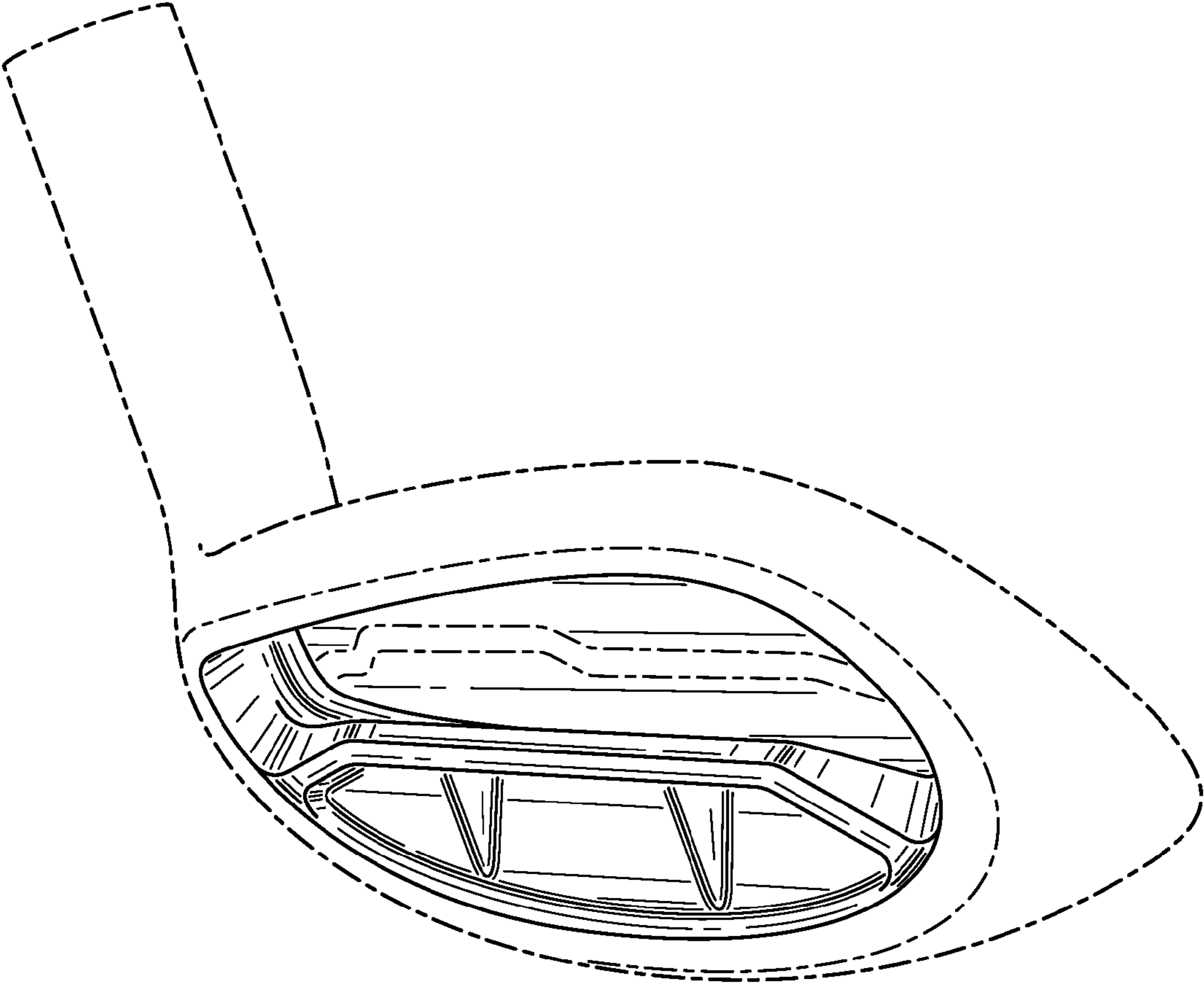


FIG. 1

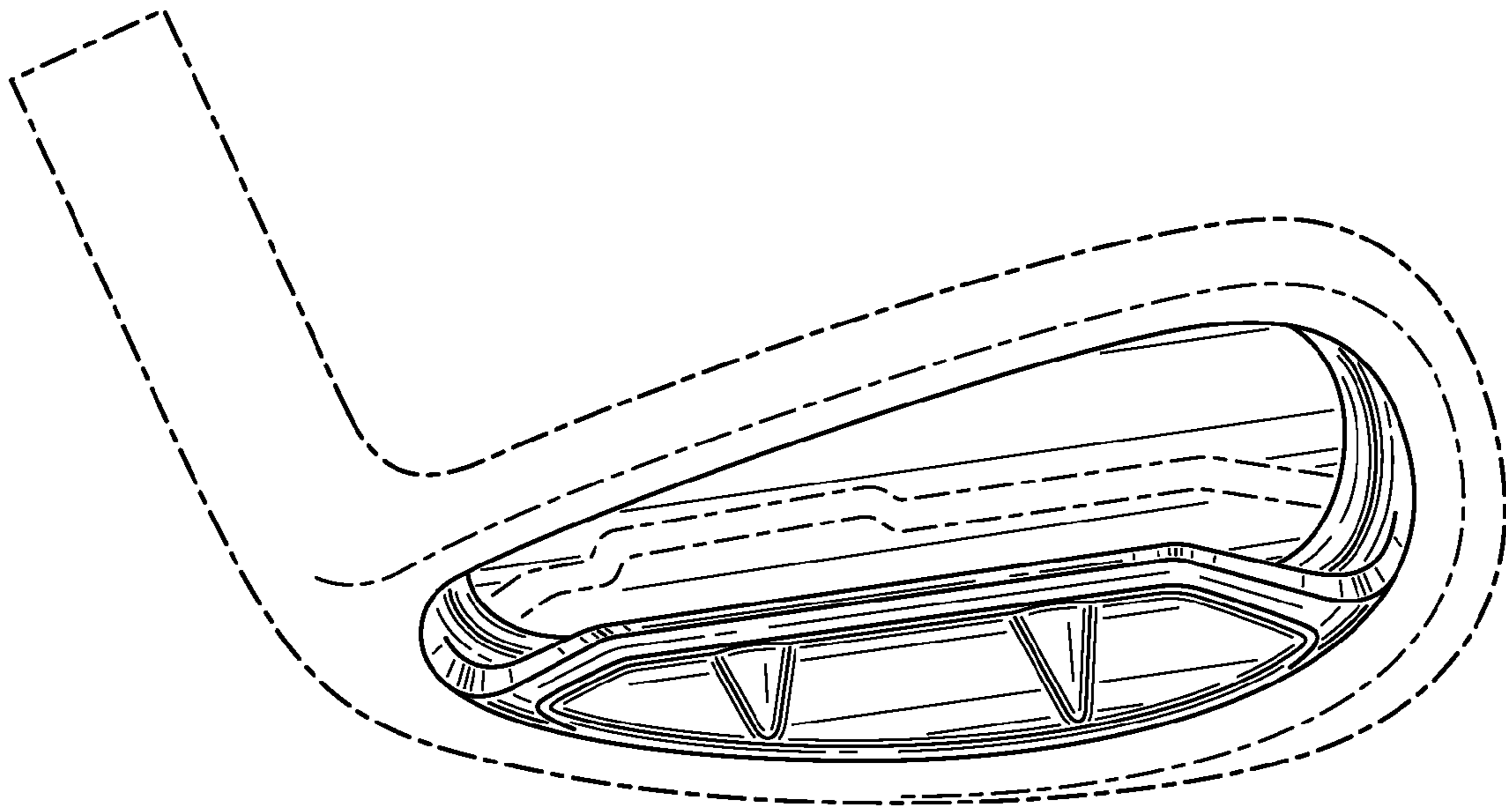


FIG. 2

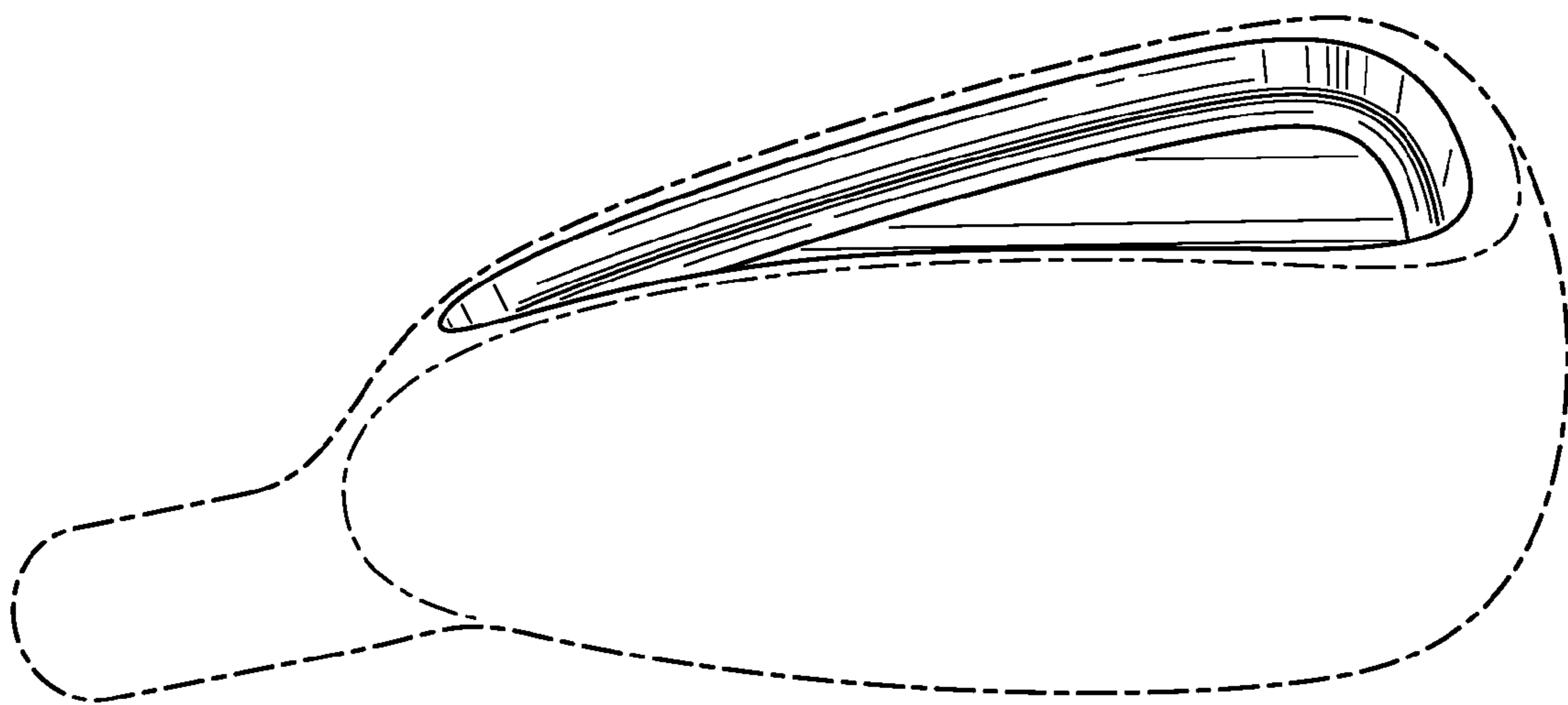


FIG. 3

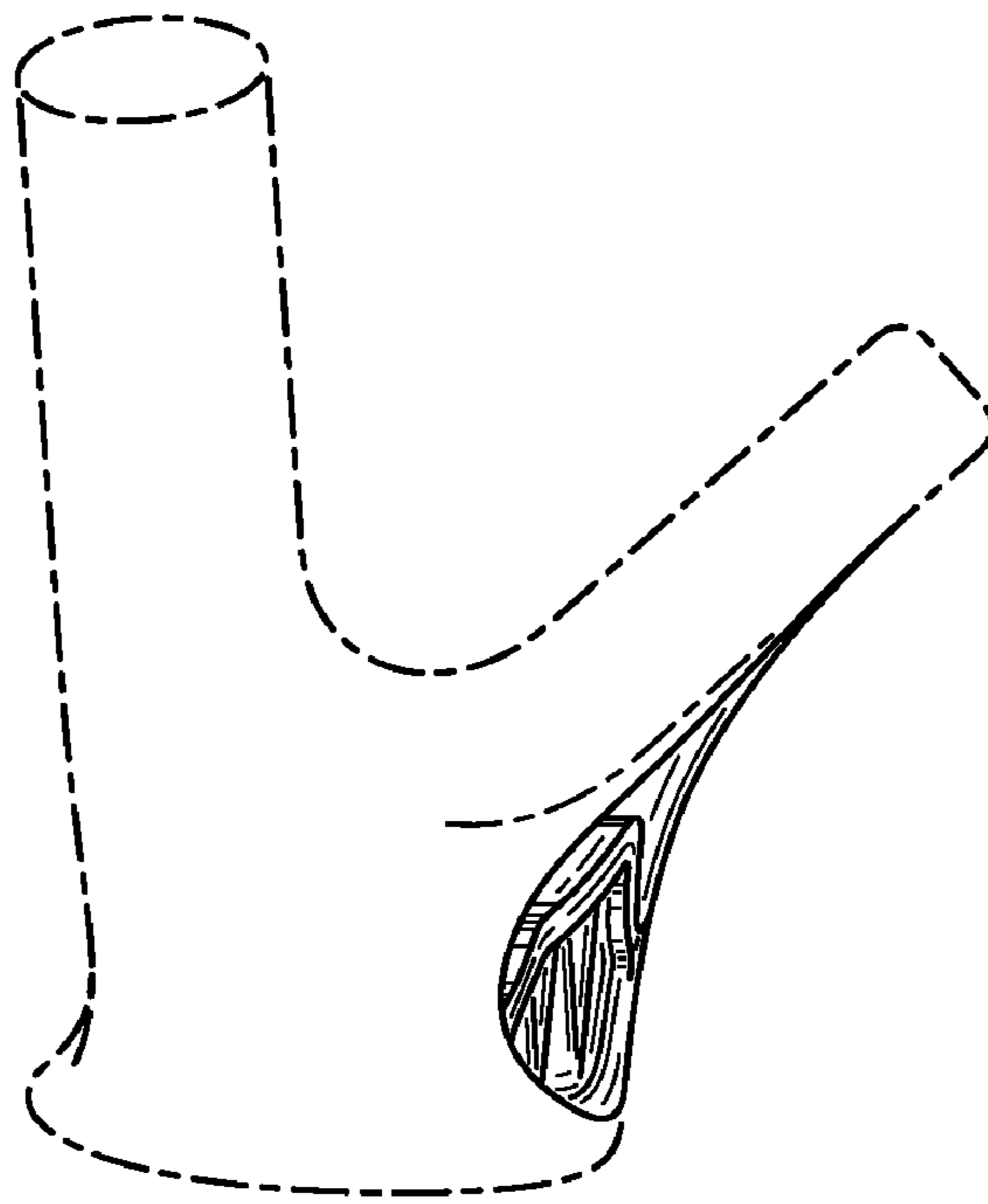


FIG. 4