

US00D549790S

(12) **United States Design Patent** (10) **Patent No.:** **US D549,790 S**
Jazwiec (45) **Date of Patent:** **** Aug. 28, 2007**

(54) **PUTTER**

(76) Inventor: **Joseph Jazwiec**, 8312 N. Odell, Niles, IL (US) 60714

(**) Term: **14 Years**

(21) Appl. No.: **29/246,378**

(22) Filed: **Apr. 5, 2006**

(51) **LOC (8) Cl.** **21-02**

(52) **U.S. Cl.** **D21/736**

(58) **Field of Classification Search** D21/736-746;
473/324-331, 340, 341, 251-256
See application file for complete search history.

5,584,769 A 12/1996 Sundin
5,616,087 A 4/1997 Bothwell
5,640,777 A 6/1997 Densberger et al.
5,779,559 A 7/1998 Eberle
5,785,608 A 7/1998 Collins
5,823,892 A 10/1998 Kuo
D403,724 S 1/1999 Palmer
5,913,738 A 6/1999 Carlucci
6,017,279 A 1/2000 Sumitomo
6,045,453 A 4/2000 Jenkins
6,135,896 A 10/2000 Miao et al.
6,244,974 B1 6/2001 Hanberry, Jr.
6,319,146 B1 11/2001 Mills
6,358,162 B1 3/2002 Piotrowski et al.
6,533,678 B1 3/2003 Johnson
D500,109 S * 12/2004 Solheim et al. D21/736
D500,110 S * 12/2004 Solheim et al. D21/742
D503,447 S * 3/2005 Toroussian D21/736
6,960,140 B2 * 11/2005 Solheim et al. 473/251

(56) **References Cited**

U.S. PATENT DOCUMENTS

792,631 A 6/1905 Taylor
823,082 A 6/1906 Robertson
1,657,972 A 1/1928 Rowe
D198,383 S 6/1964 Butler
D201,250 S 6/1965 Martinez
3,260,525 A 7/1966 Ortel
D206,540 S 12/1966 Mackenzie
D208,313 S 8/1967 Machos
3,399,898 A 9/1968 Burkland
3,459,426 A 8/1969 Sherwood
3,826,495 A 7/1974 Elkins, Jr.
3,874,668 A 4/1975 Flege
D237,397 S 10/1975 Csernits
3,963,244 A 6/1976 Mierzejewski
4,114,886 A 9/1978 Koch
4,295,650 A 10/1981 Keeble
D272,459 S 1/1984 Jones
4,805,922 A 2/1989 Whitfield
D306,055 S 2/1990 Morris
5,022,656 A 6/1991 Tiller
5,029,860 A 7/1991 Ehrich
5,125,657 A 6/1992 Beil
5,213,332 A 5/1993 Fahy et al.
5,383,664 A 1/1995 Epperson
5,415,408 A 5/1995 Livesay et al.
5,458,335 A 10/1995 Hattori
5,499,817 A 3/1996 Brady

* cited by examiner

Primary Examiner—Mitchell Siegel
(74) *Attorney, Agent, or Firm*—Marshall, Gerstein & Borun LLP

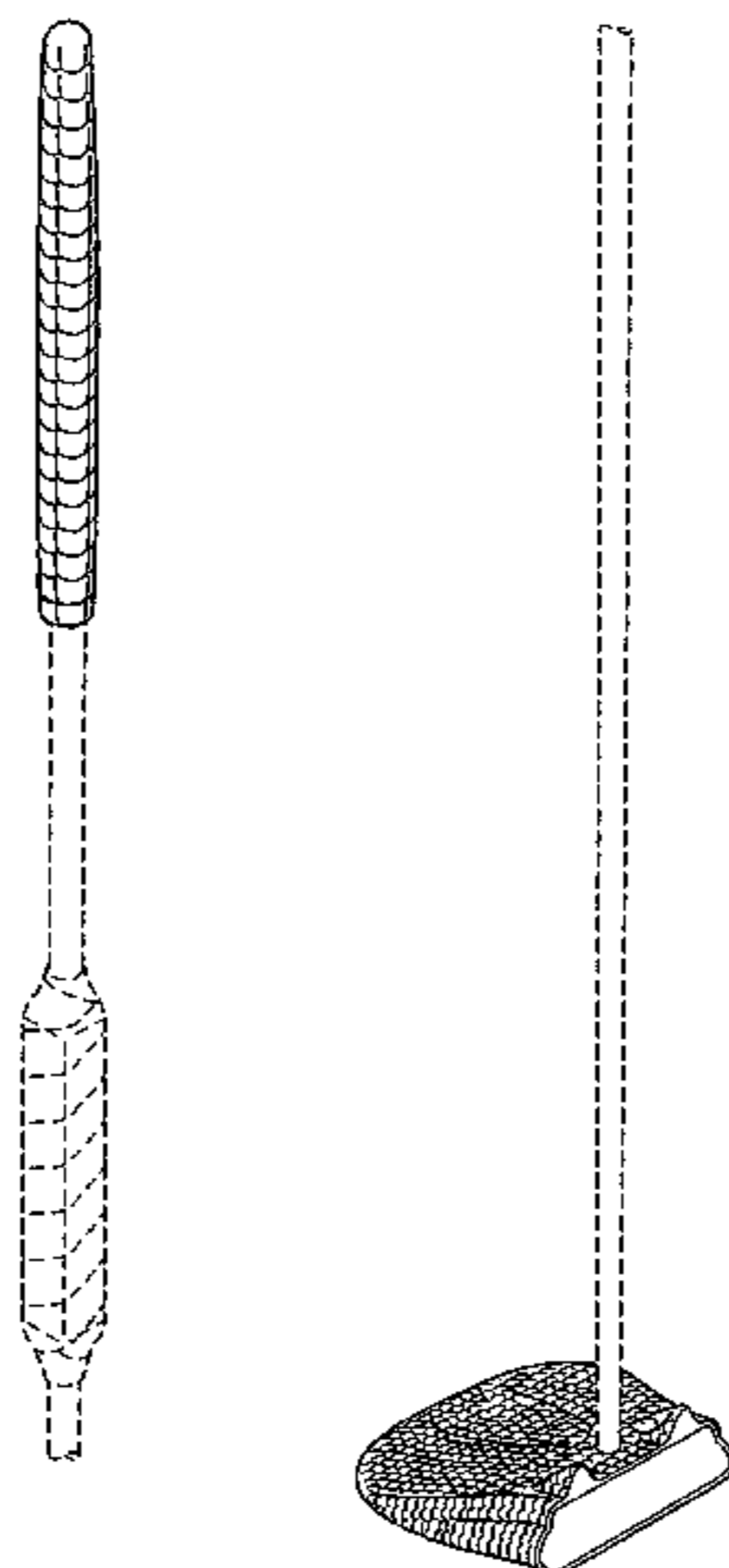
(57) **CLAIM**

The ornamental design for a putter, as shown and described.

DESCRIPTION

FIG. 1 is a perspective view showing my new design for a putter;
FIG. 2 is a left side view of the putter of FIG. 1;
FIG. 3 is a front view of the putter of FIG. 1;
FIG. 4 is a rear view of the putter of FIG. 1;
FIG. 5 is a right side view of the putter of Fig. 1;
FIG. 6 is a top plan view of the putter of FIG. 1; and,
FIG. 7 is a bottom plan view of the putter of FIG. 1.
The dashed lines are for illustrative purposes only and form no part of the claimed design.

1 Claim, 6 Drawing Sheets



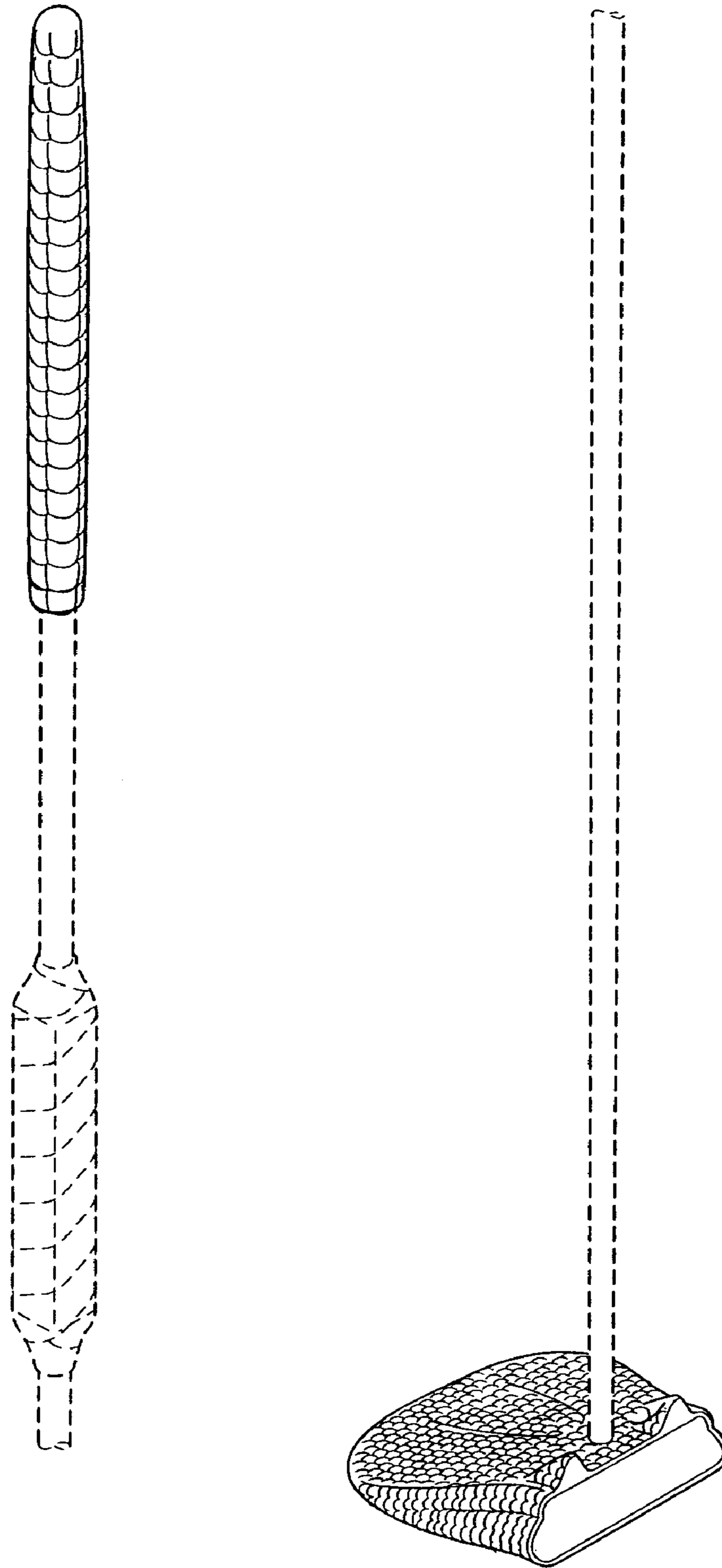


FIG. 1

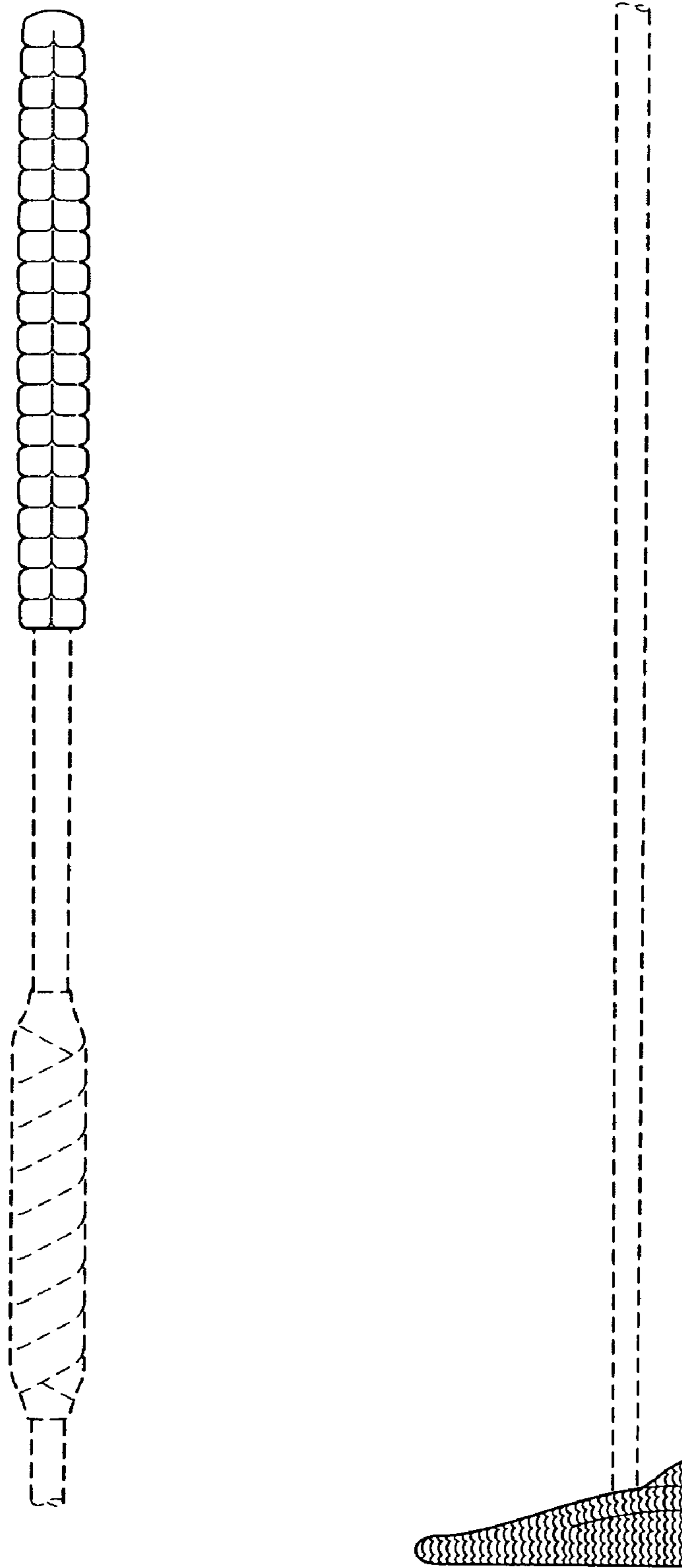


FIG. 2

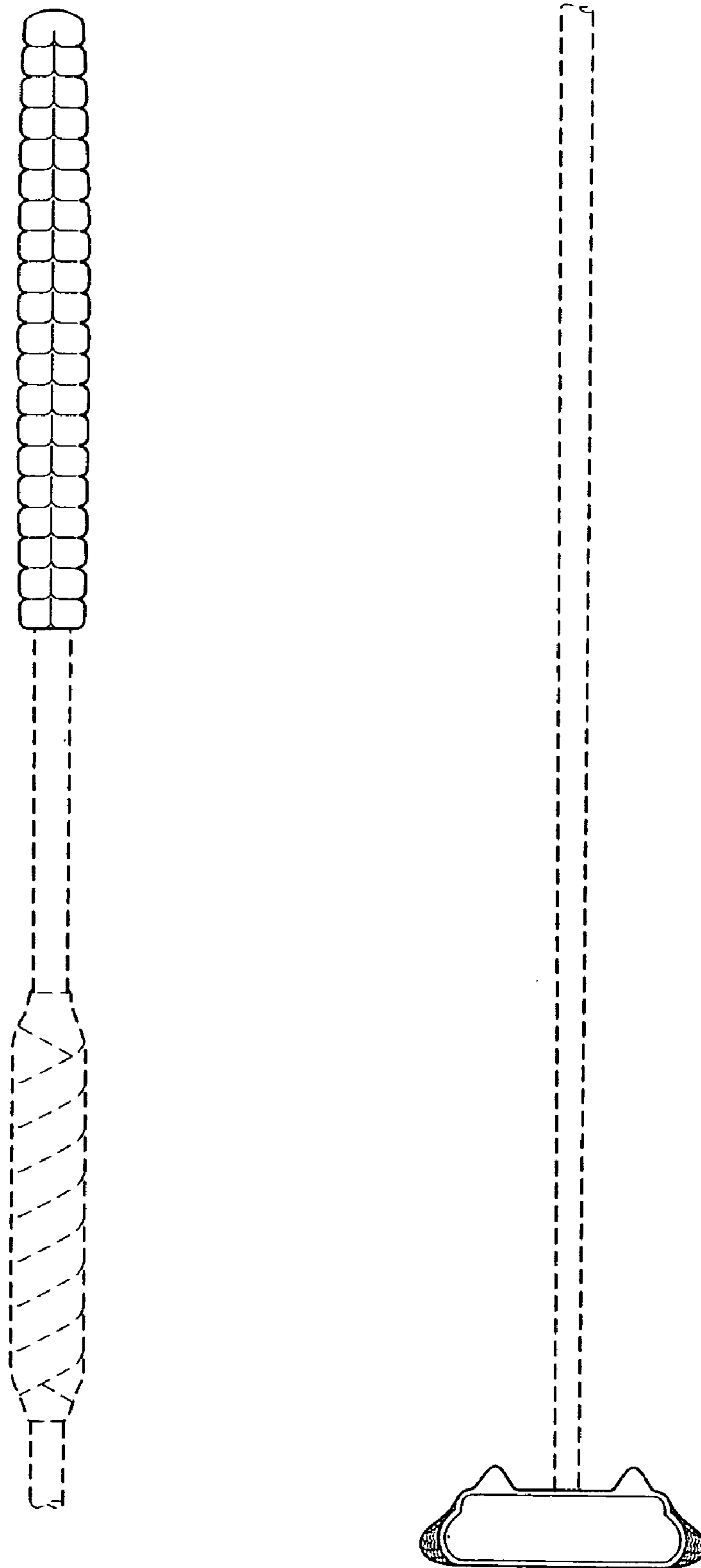


FIG. 3

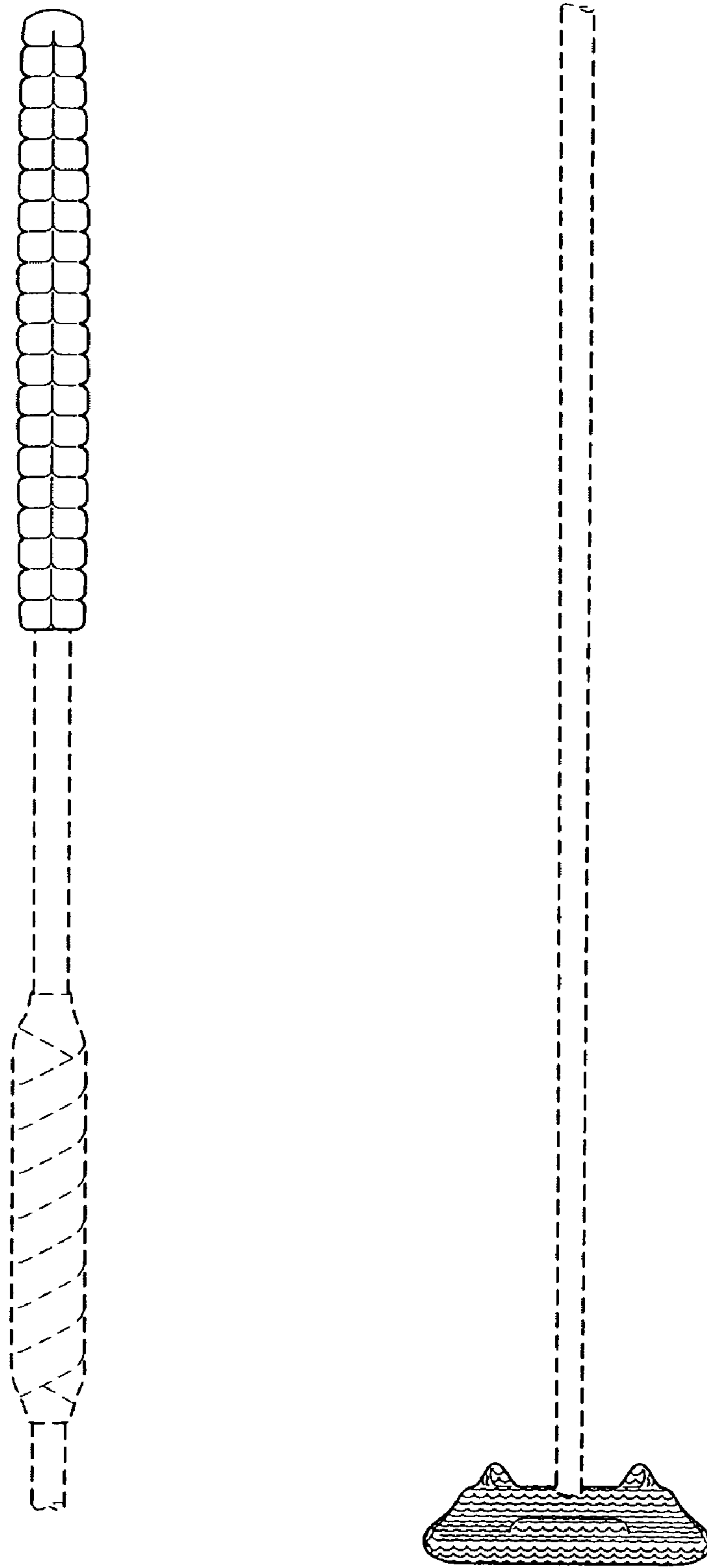


FIG. 4

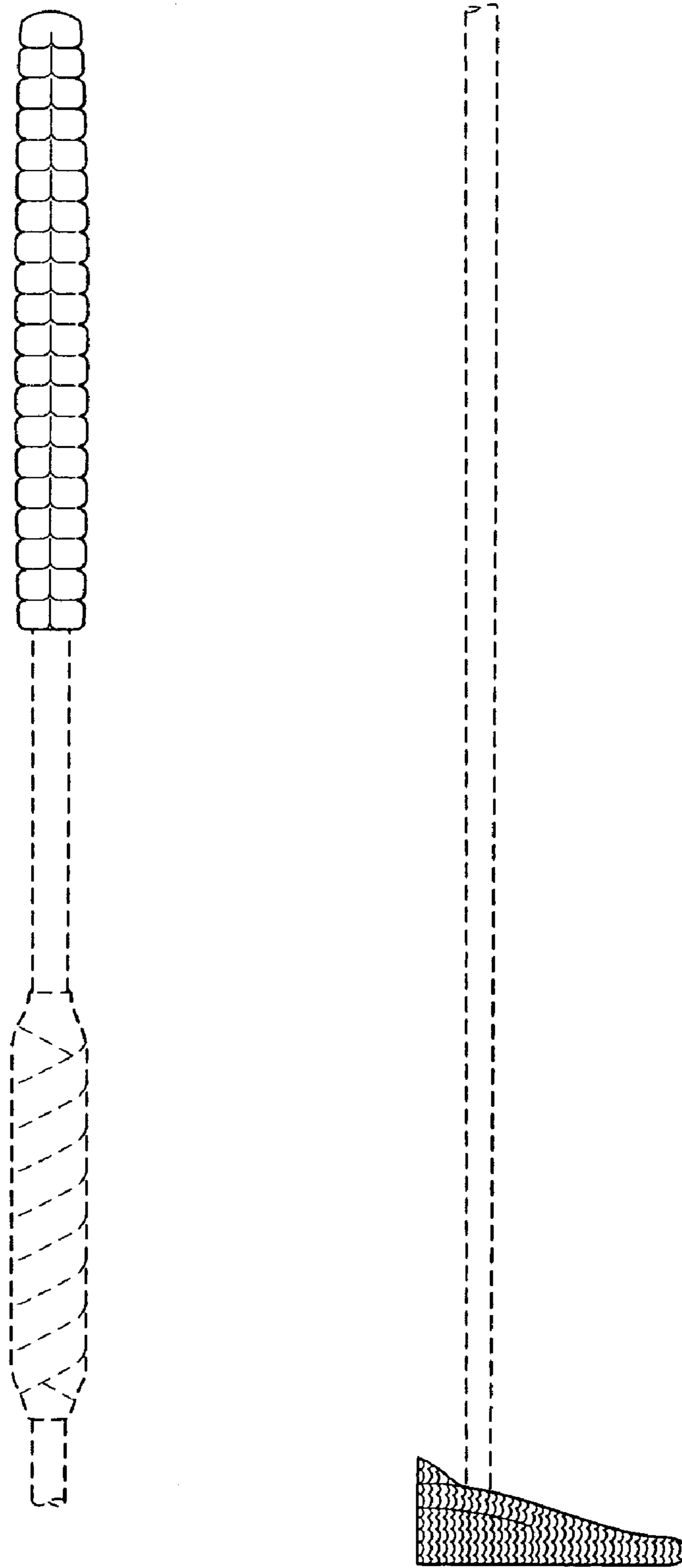


FIG. 5

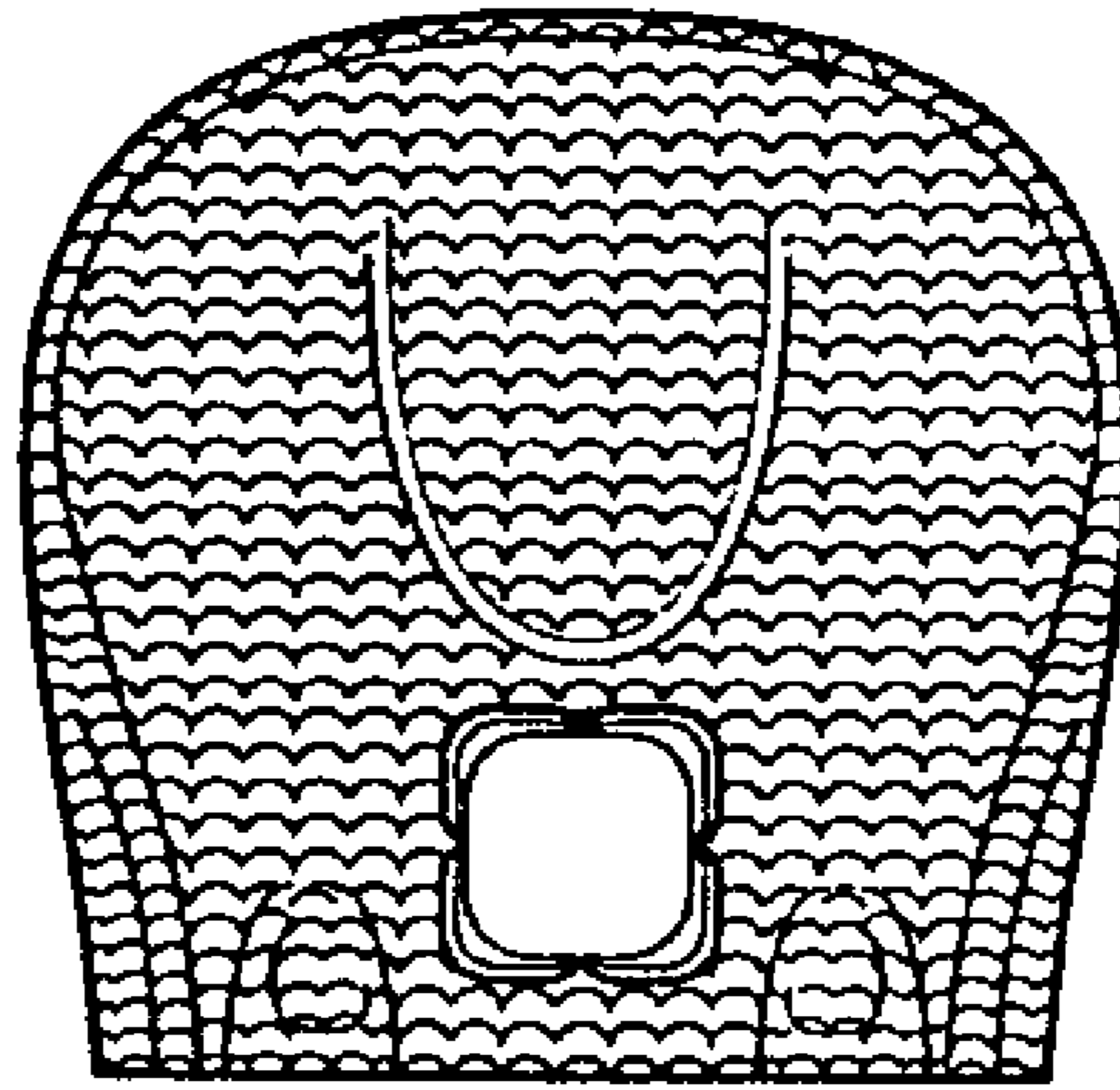


FIG. 6

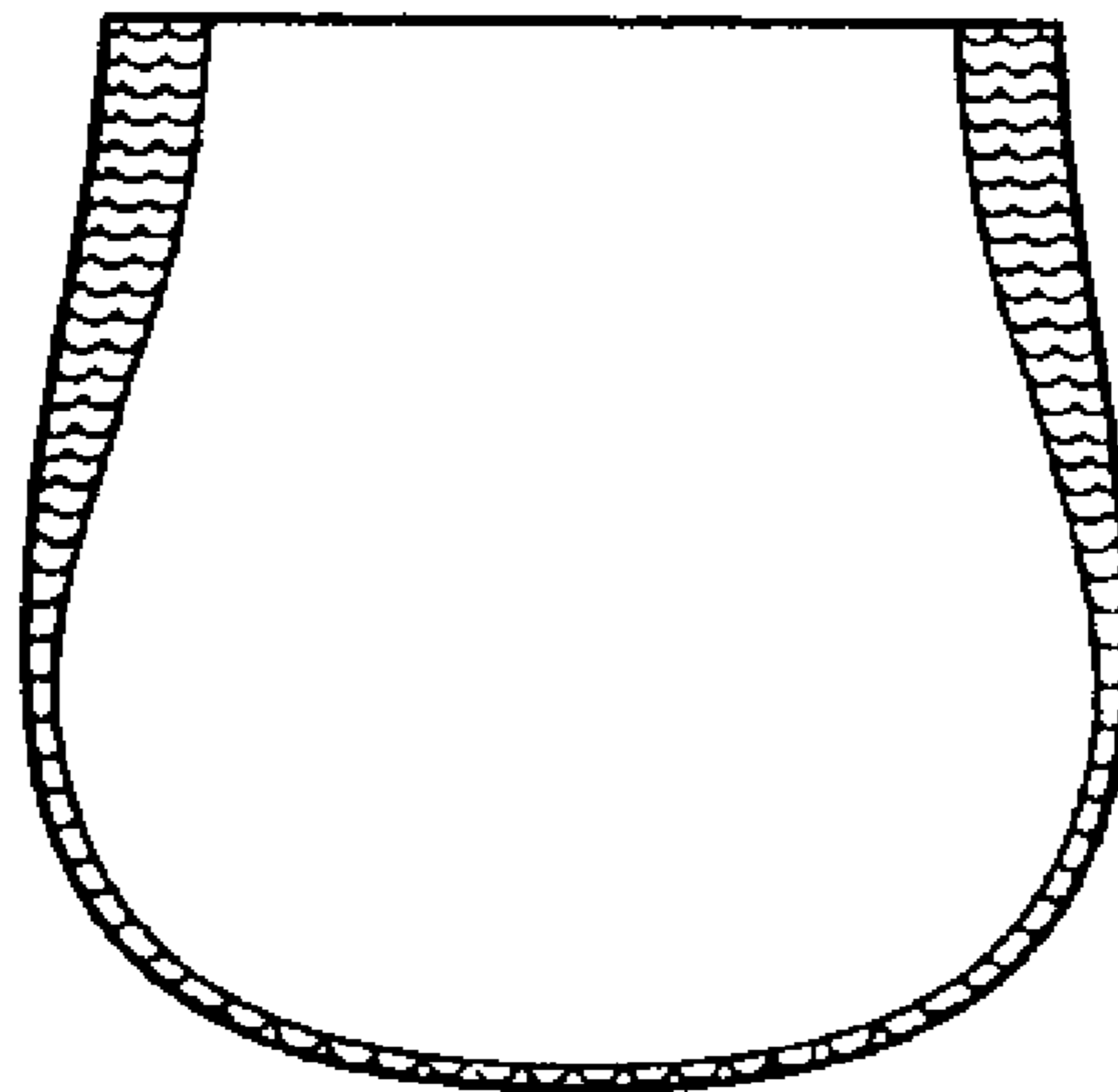


FIG. 7