

US00D549788S

(12) **United States Design Patent**
Parsey et al.

(10) **Patent No.:** **US D549,788 S**

(45) **Date of Patent:** **** Aug. 28, 2007**

(54) **SET OF HUBS AND WHEELS FOR A TOY VEHICLE**

(75) Inventors: **Tim Parsey**, Manhattan Beach, CA (US); **Nathan Proch**, Los Angeles, CA (US)

(73) Assignee: **Mattel, Inc.**, El Segundo, CA (US)

(**) Term: **14 Years**

(21) Appl. No.: **29/226,840**

(22) Filed: **Mar. 31, 2005**

(30) **Foreign Application Priority Data**

Oct. 8, 2004 (EM) 000240742

(51) **LOC (8) Cl.** **21-01**

(52) **U.S. Cl.** **D21/563**

(58) **Field of Classification Search** D21/533,
D21/548-551, 559, 561-563, 760, 763-765,
D21/771, 779; D12/86, 88, 93, 159, 204,
D12/209; 446/454-457, 465, 466, 469, 470,
446/431

See application file for complete search history.

(56) **References Cited**

U.S. PATENT DOCUMENTS

D225,761 S	1/1973	Munn et al.	
D227,665 S *	7/1973	Griffith	D12/209
D251,453 S *	3/1979	Kosono et al.	D21/779
D256,931 S *	9/1980	Smith	D21/563
D261,637 S	11/1981	Blanchard et al.	
D316,284 S	4/1991	Knudsen	
D324,245 S	2/1992	Wright	
D347,044 S *	5/1994	Slack et al.	D21/763
D409,262 S	5/1999	Stephenson	
D413,363 S *	8/1999	Shearer	D21/563
5,943,836 A	8/1999	Kassardjian	

D460,791 S	7/2002	McBride	
D468,388 S *	1/2003	Ragatz	D21/836
2002/0128710 A1	9/2002	Eggleston	
2005/0250416 A1	11/2005	Barthold	

OTHER PUBLICATIONS

("Little Red Roadster") Sensation Beginnings Holiday 2001, [online], [retrieved on Jan. 26, 2006] Retrieved from Google Catalog Search using Internet <URL:http://catalogs.google.com/catalogs?ie=UTF-8&hl=en&vid=0LmkYoT0zCVH&id=hh59oNimCeAC&dq=toy+hub&prev=http://catalogs.google.com/catalogs%3Flr%3D%26q%3Dtoy%2Bhub&lp=PA7&pg=PA11> p. 11.

(Continued)

Primary Examiner—Holly H. Baynham

Assistant Examiner—Cynthia M. Chin

(74) *Attorney, Agent, or Firm*—Allenman Hall McCoy Russell & Tuttle LLP

(57) **CLAIM**

I claim the ornamental design for a set of hubs and wheels for a toy vehicle, as shown and described.

DESCRIPTION

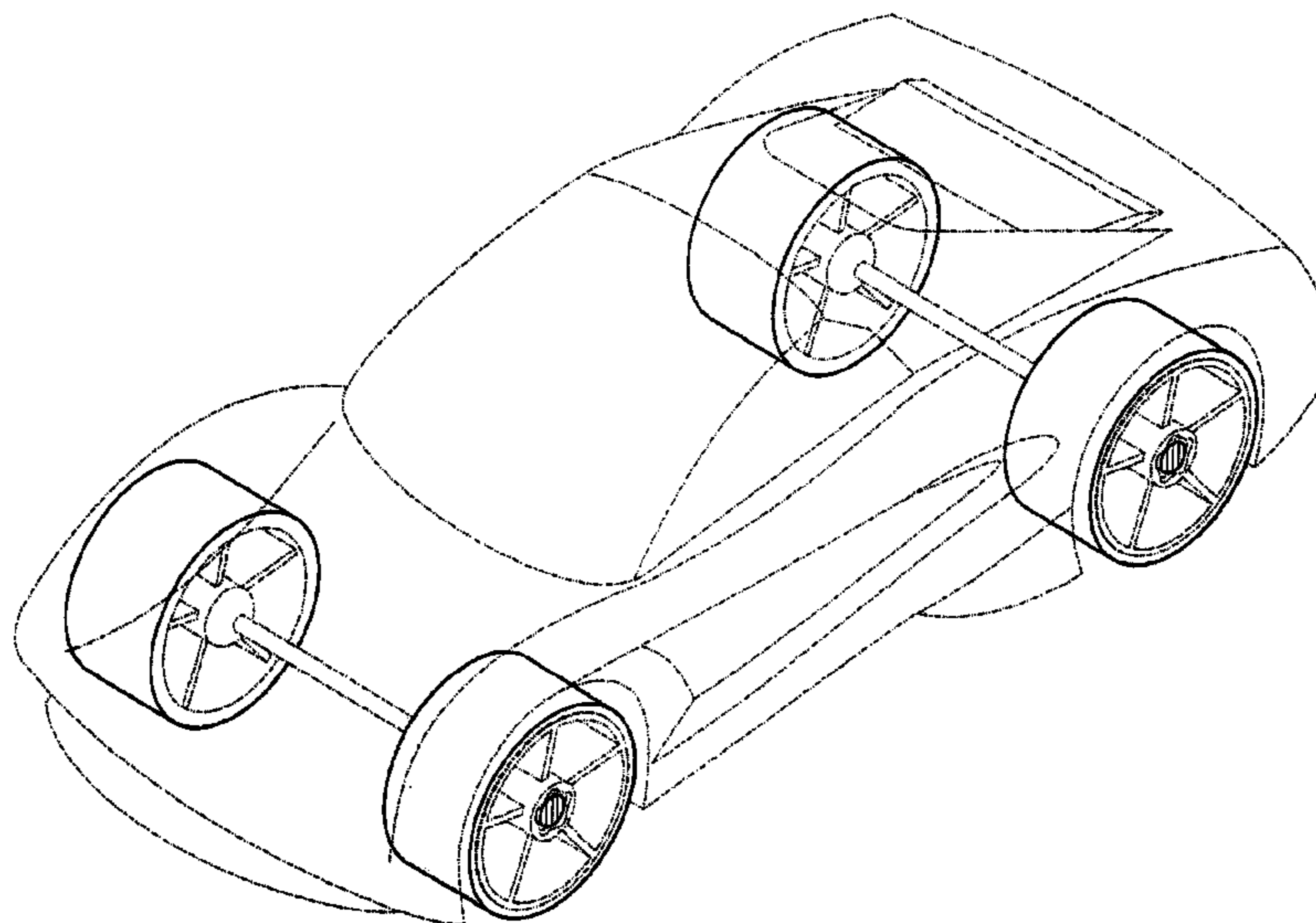
FIG. 1 is a front perspective view of a toy vehicle having a set of hubs and wheels for a toy vehicle; and,

FIG. 2 is a side view of the vehicle of FIG. 1. The opposing side view is a mirror image of the side view shown in FIG. 2.

The broken or dashed lines shown in the drawings are for illustrative purposes only and form no part of the claimed design.

The shading lines shown in the drawings represent the three-dimensional contour of the design, and are not intended to indicate surface decoration.

1 Claim, 2 Drawing Sheets



OTHER PUBLICATIONS

(“Walker Wagon”) Sensation Beginnings Holiday 2001, [online], [retrieved Jan. 26, 2006] Retrieved from Google Search using Internet <URL: <http://catalogs.google.com/catalogs?ie=UTF-8&hl=en&vid=0LmkYoT0zCVH&id=hh59oNimCeAC&dq=toy+hub&prev=http://catalogs.google.com/catalogs%3Fflr%3D%26q%3Dtoy%2Bhub&lpg=PA7&pg=PA8>> p. 8.

(“Tiny Trike”) Sensation Beginnings Holiday 2001, [online], [retrieved on Jan. 26, 2006] Retrieved from Google Catalog Search using Internet <URL: <http://catalogs.google.com/catalogs?ie=UTF-8&hl=en&vid=0LmkYoT0zCVH&id=hh59oNimCeAC&dq=toy+hub&prev=http://catalogs.google.com/catalogs%3Fflr%3D%26q%3Dtoy%2Bhub&lpg=PA7&pg=PA9>> p. 9.

(“Lady” Train Car) Sensation Beginnings Holiday 2001, [online], [retrieved on Jan. 26, 2006] Retrieved from Google Catalog Search using Internet <URL: <http://catalogs.google.com/catalogs?ie=UTF-8&hl=en&vid=0LmkYoT0zCVH&id=hh59oNimCeAC&>

<http://catalogs.google.com/catalogs%3Fflr%3D%26q%3Dtoy%2Bhub&lpg=PA7&pg=PA13>> p. 13.

(“Music in Motion Rollar Coaster”) Sensation Beginnings Summer 2002, [online], [retrieved on Jan. 26, 2006] Retrieved from Google Catalog Search using Internet <URL: <http://catalogs.google.com/catalogs?ie=UTF-8&hl=en&id=0nS8V0-eZ6kC&lpg=PA1&pg=PA18&printsec=0>> p. 18.

(“Tune N’ Go Auto Shop”) Sensation Beginnings Summer 2002, [online], [retrieved on Jan. 26, 2006] Retrieved from Google Catalog Search using Internet <URL: <http://catalogs.google.com/catalogs?ie=UTF-8&hl=en&id=0nS8V0-eZ6kC&lpg=PA1&pg=PA20&printsec=0>> p. 20.

(“Rock, Roll & Ride Trike”) Fisher-Price Holiday 2001, [online], [retrieved on Jan. 26, 2006] Retrieved from Google Catalog Search using Internet <URL: <http://catalogs.google.com/catalogs?ie=UTF-8&hl=en&id=xg09vFug1cgC&lpg=PA1&printsec=0&pg=PA17>> p. 17.

* cited by examiner

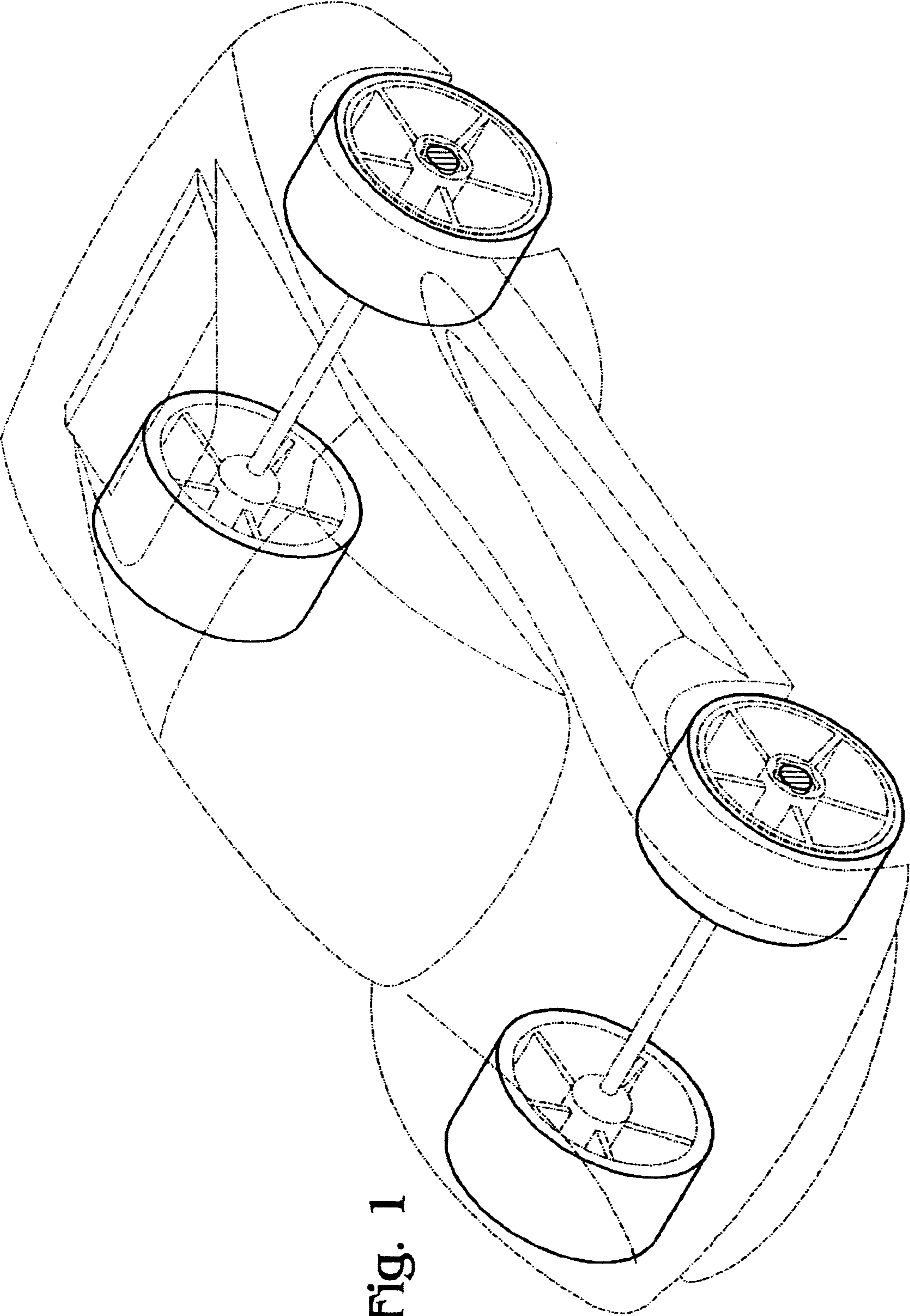


Fig. 1

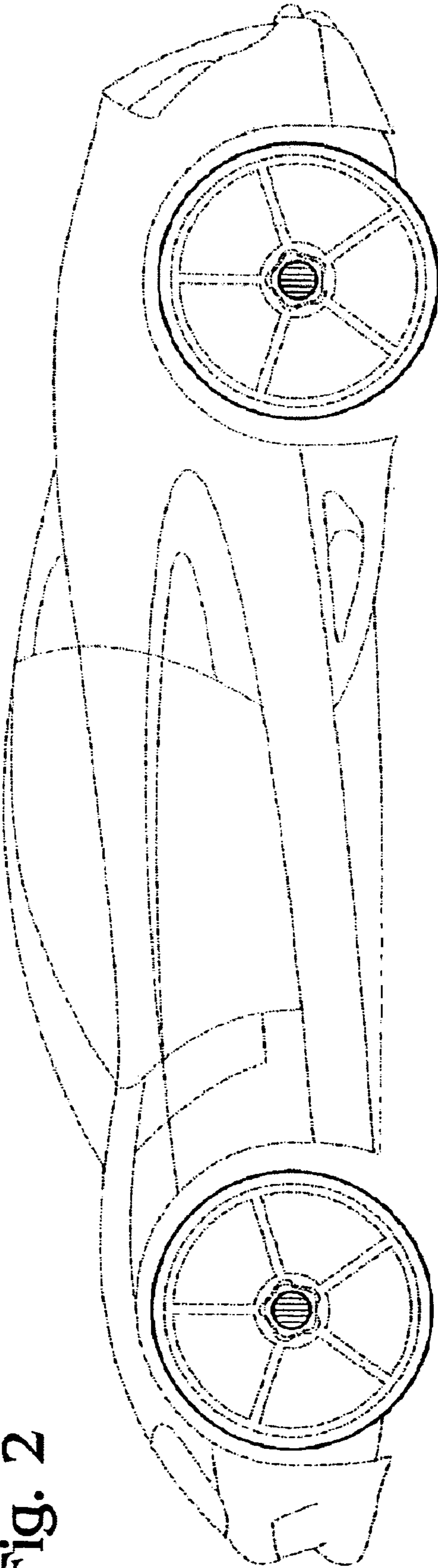


Fig. 2